



US00D724513S

(12) **United States Design Patent**
Wolff et al.

(10) **Patent No.:** **US D724,513 S**
(45) **Date of Patent:** **** Mar. 17, 2015**

(54) **VEHICLE WHEEL**

USPC D12/204-213
See application file for complete search history.

(71) Applicant: **Ford Motor Company**, Dearborn, MI
(US)

(56) **References Cited**

(72) Inventors: **Max Wolff**, Birmingham, MI (US);
James Everett Grake, Beverly Hills, MI
(US); **George Bucher**, Dearborn, MI
(US); **Sooyoung Kim**, Northville, MI
(US)

U.S. PATENT DOCUMENTS

D461,442 S *	8/2002	Kataoka	D12/211
D579,846 S *	11/2008	Chung	D12/209
D593,022 S *	5/2009	Forster et al.	D12/211
D608,711 S *	1/2010	Juergens et al.	D12/209
D655,659 S *	3/2012	Schweizer	D12/209
D663,671 S *	7/2012	Song et al.	D12/211
D673,492 S *	1/2013	Muller	D12/209
D683,297 S *	5/2013	Juergens et al.	D12/211
D715,719 S *	10/2014	Platto et al.	D12/209

(73) Assignee: **Ford Motor Company**, Dearborn, MI
(US)

* cited by examiner

(**) Term: **14 Years**

Primary Examiner — Stacia Cadmus

(21) Appl. No.: **29/480,142**

(74) *Attorney, Agent, or Firm* — Damian Porcari

(22) Filed: **Jan. 23, 2014**

(51) **LOC (10) Cl.** **12-16**

(57) **CLAIM**

The ornamental design for a vehicle wheel, as shown and described.

(52) **U.S. Cl.**

USPC **D12/209**

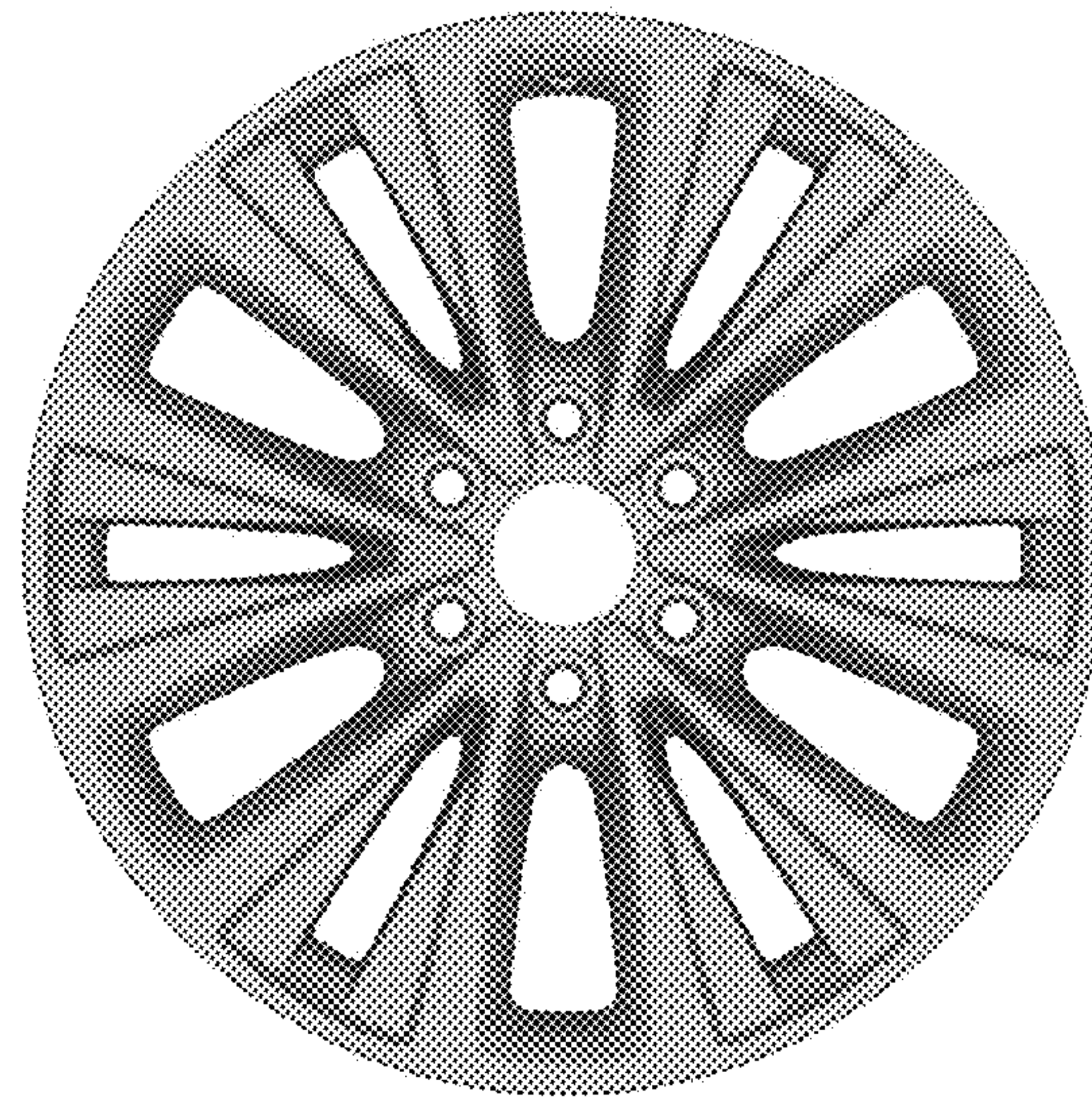
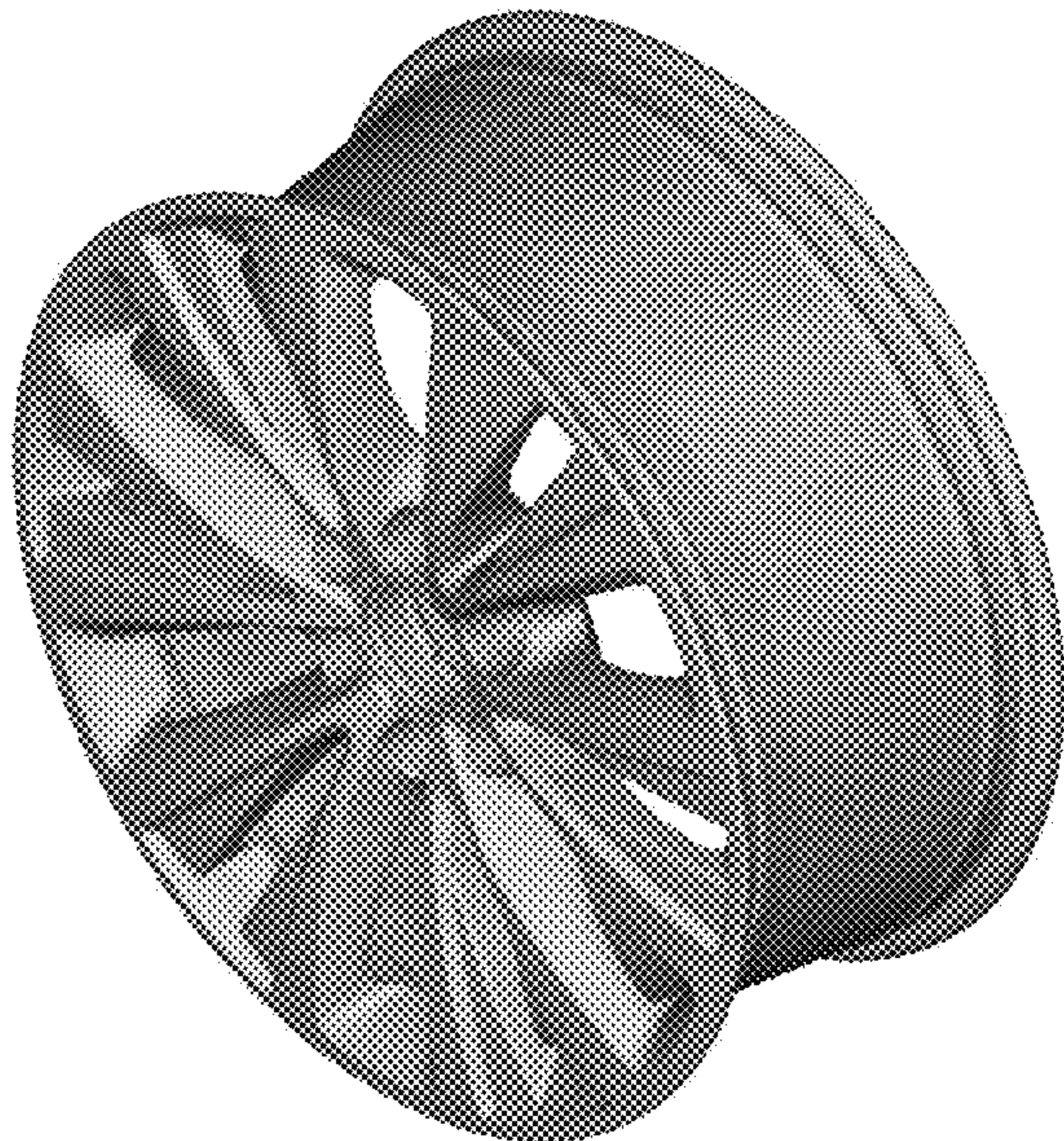
DESCRIPTION

(58) **Field of Classification Search**

CPC B60B 7/00; B60B 7/02; B60B 7/04;
B60B 7/01; B60B 7/06; B60B 3/02; B60B
3/04; B60B 3/06; B60B 3/10; B60B 1/00;
B60B 1/08; B60B 1/10; B60B 1/12

FIG. 1 is a perspective view of a vehicle wheel; and,
FIG. 2 is a front view thereof.

1 Claim, 2 Drawing Sheets



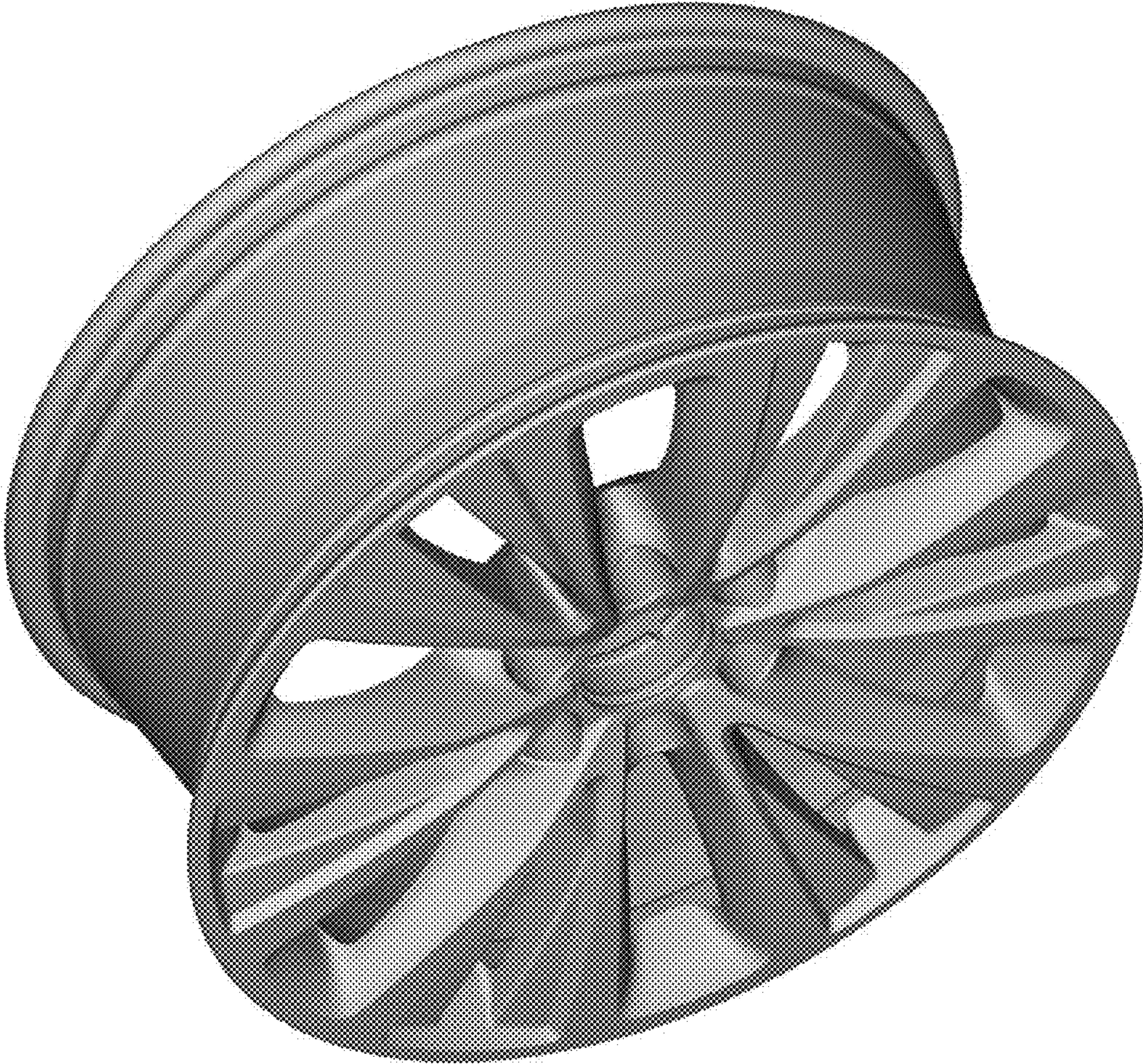


Figure 1



Figure 2