



US00D724511S

(12) **United States Design Patent**
Ahn et al.

(10) **Patent No.:** **US D724,511 S**
(45) **Date of Patent:** **** Mar. 17, 2015**

(54) **AUTOMOTIVE DISPLAY**

(71) Applicant: **Google Inc.**, Mountain View, CA (US)

(72) Inventors: **YooJung Ahn**, Cupertino, CA (US);
Peter Craig Lombrozo, Santa Cruz, CA (US)

(73) Assignee: **Google Inc.**, Mountain View, CA (US)

(**) Term: **14 Years**

(21) Appl. No.: **29/438,504**

(22) Filed: **Nov. 30, 2012**

(51) **LOC (10) Cl.** **12-16**

(52) **U.S. Cl.**
USPC **D12/192**

(58) **Field of Classification Search**
USPC D12/192, 415, 110, 114; 180/90;
280/750-752; 296/190.01-190.09,
296/191, 70; D15/17, 28; D10/46, 98,
D10/102-103, 122-127

See application file for complete search history.

(56) **References Cited**

U.S. PATENT DOCUMENTS

D697,862 S * 1/2014 Nemeth et al. D12/345
D706,188 S * 6/2014 Bachorski et al. D12/192

D710,399 S * 8/2014 Oeder et al. D15/28
D713,400 S * 9/2014 Kanou D14/258
D713,839 S * 9/2014 Endo et al. D14/258

* cited by examiner

Primary Examiner — Katrina A Betton

(74) *Attorney, Agent, or Firm* — Lerner, David, Littenberg,
Krumholz & Mentlik, LLP

(57) **CLAIM**

The ornamental design for an automotive display, as shown and described.

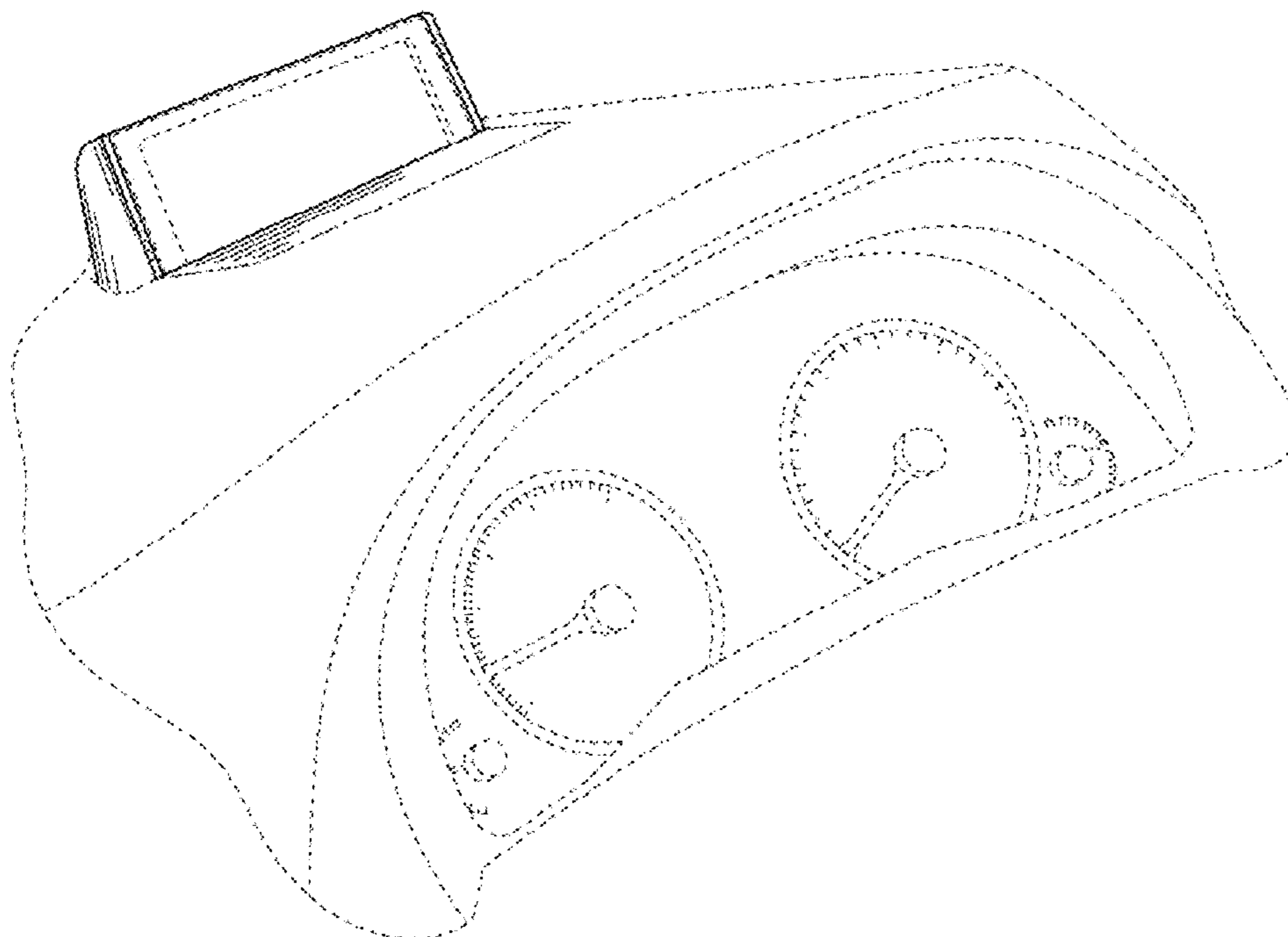
DESCRIPTION

FIG. 1 is a front perspective view of an automotive display according to our design;
FIG. 2 is a front elevation view thereof;
FIG. 3 is a rear elevation view thereof;
FIG. 4 is a right side elevation view thereof;
FIG. 5 is a left side elevation view thereof;
FIG. 6 is a top view thereof; and,
FIG. 7 is a bottom view thereof.

The features shown in broken lines are environmental only and form no part of the claimed design.

Dash-dot lines adjacent un-shaded areas represent bounds of the claimed design and themselves form no part of the claimed design.

1 Claim, 4 Drawing Sheets



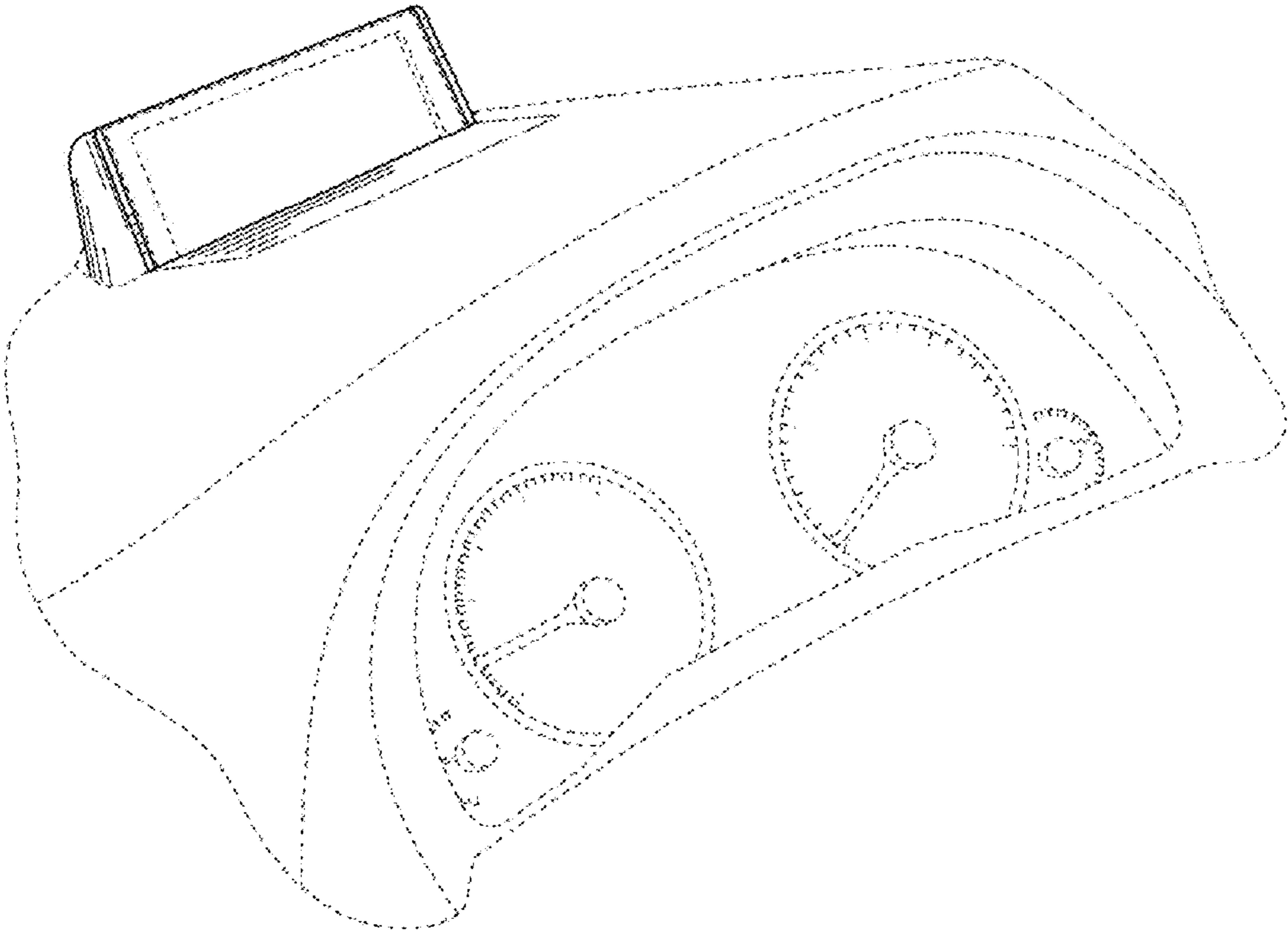


FIG. 1

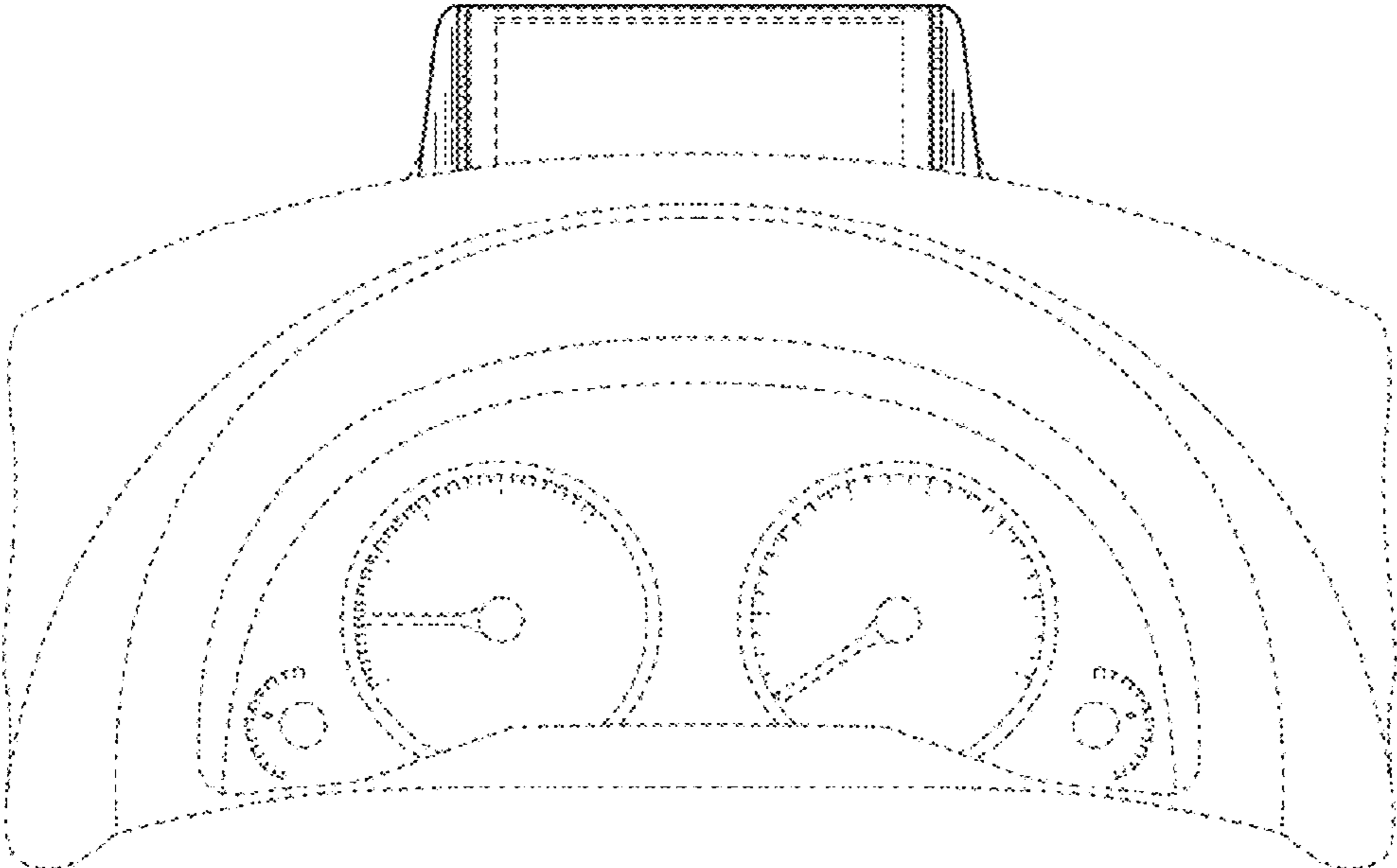


FIG. 2

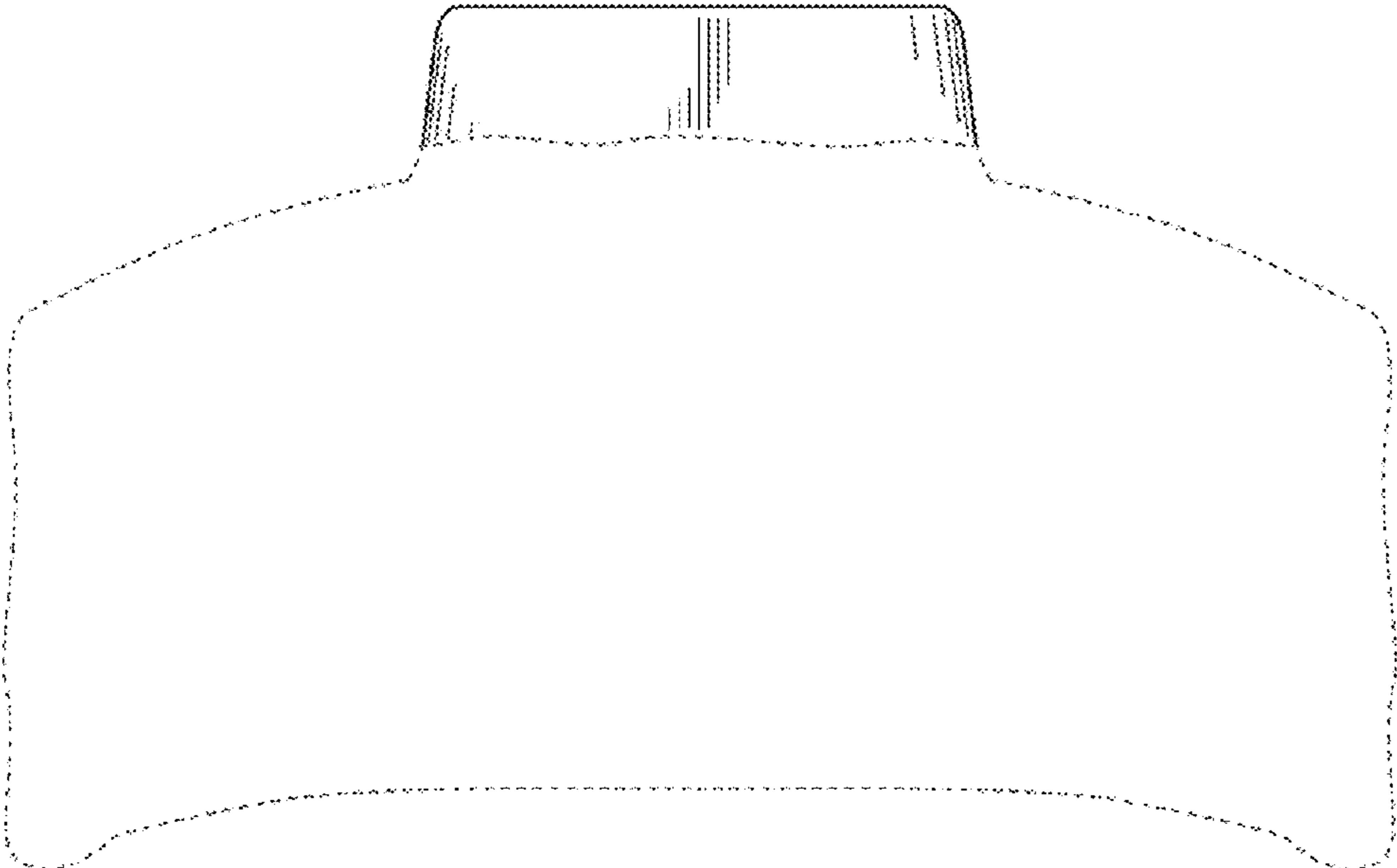


FIG. 3

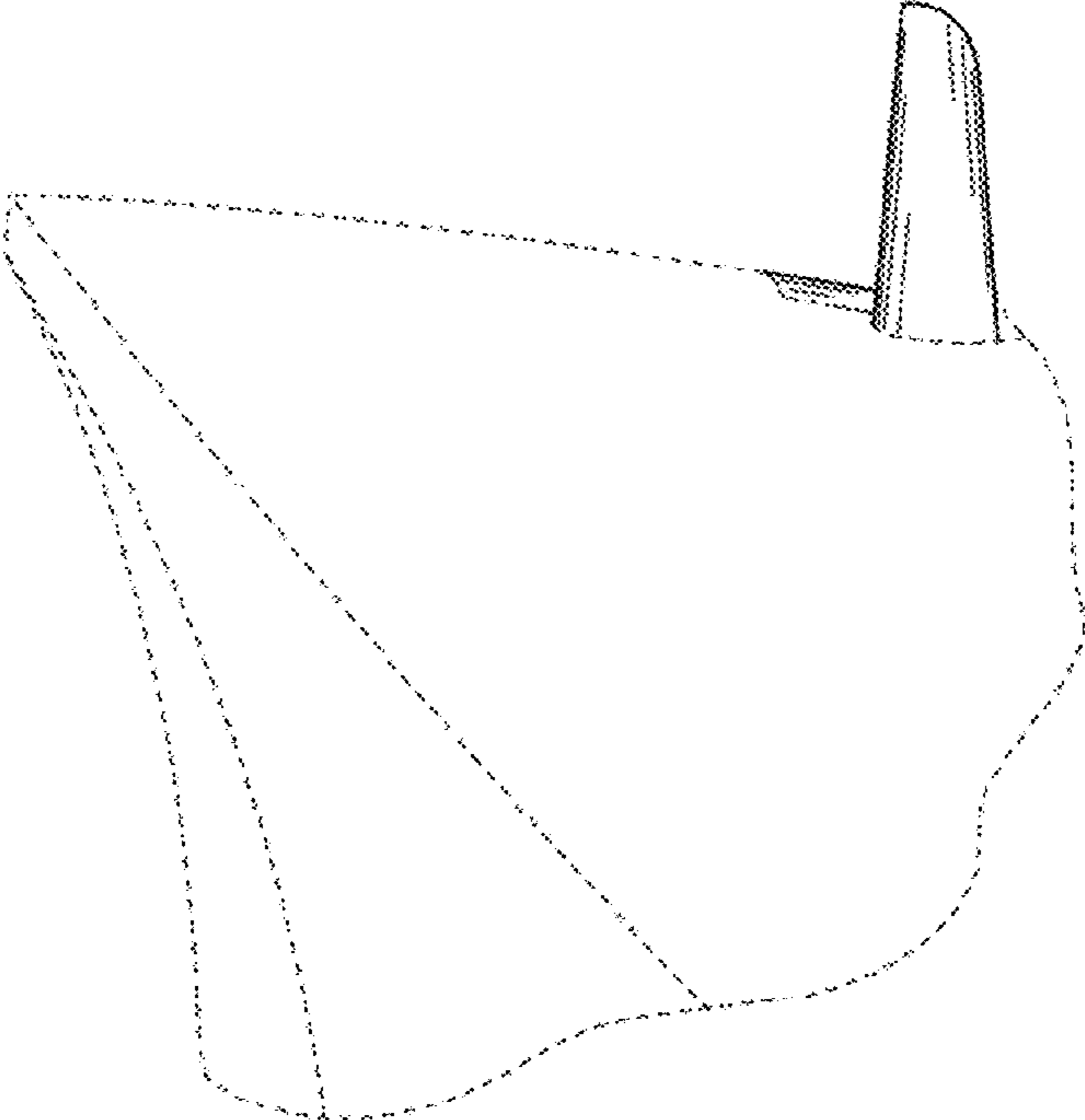


FIG. 4

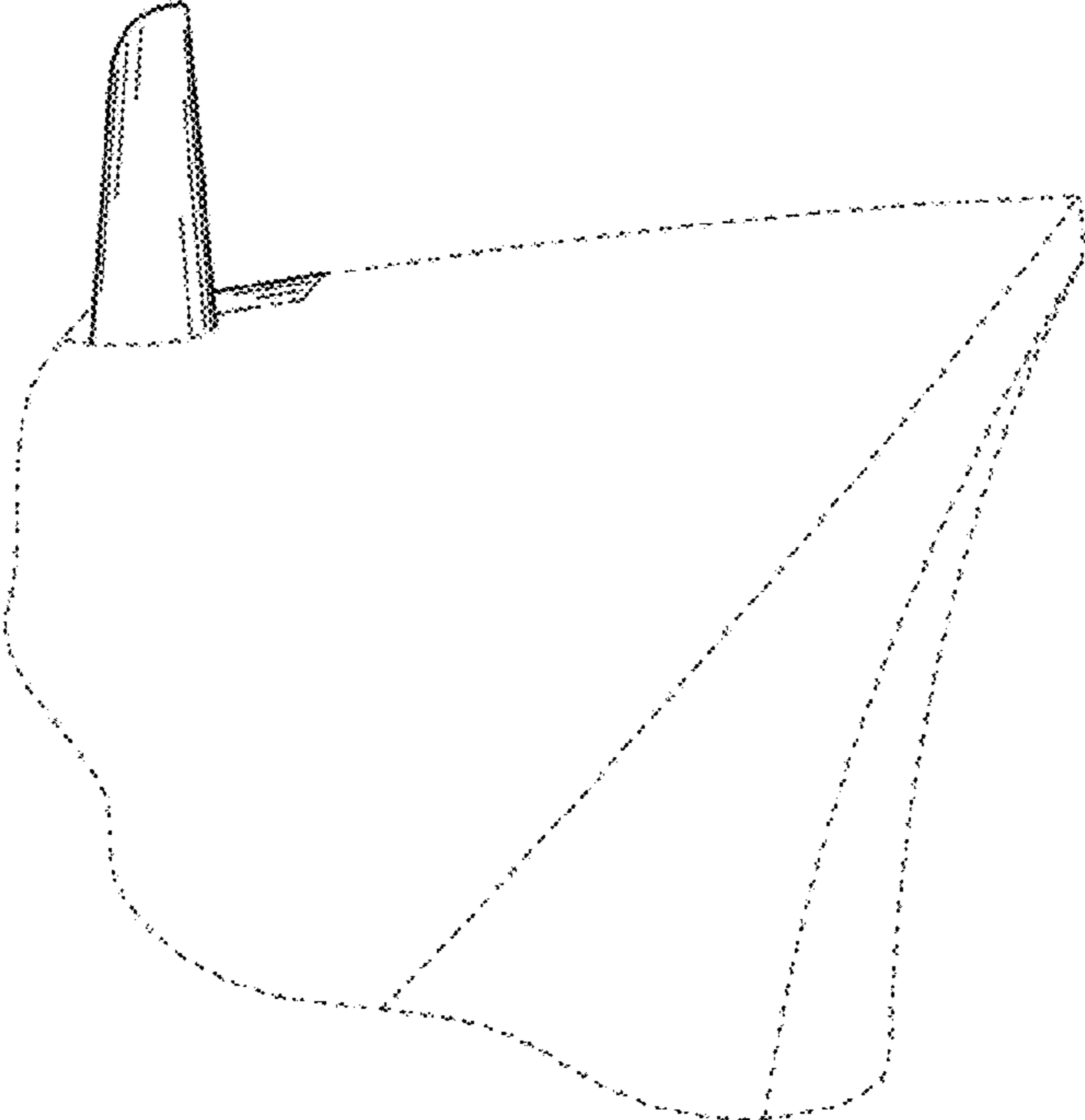


FIG. 5

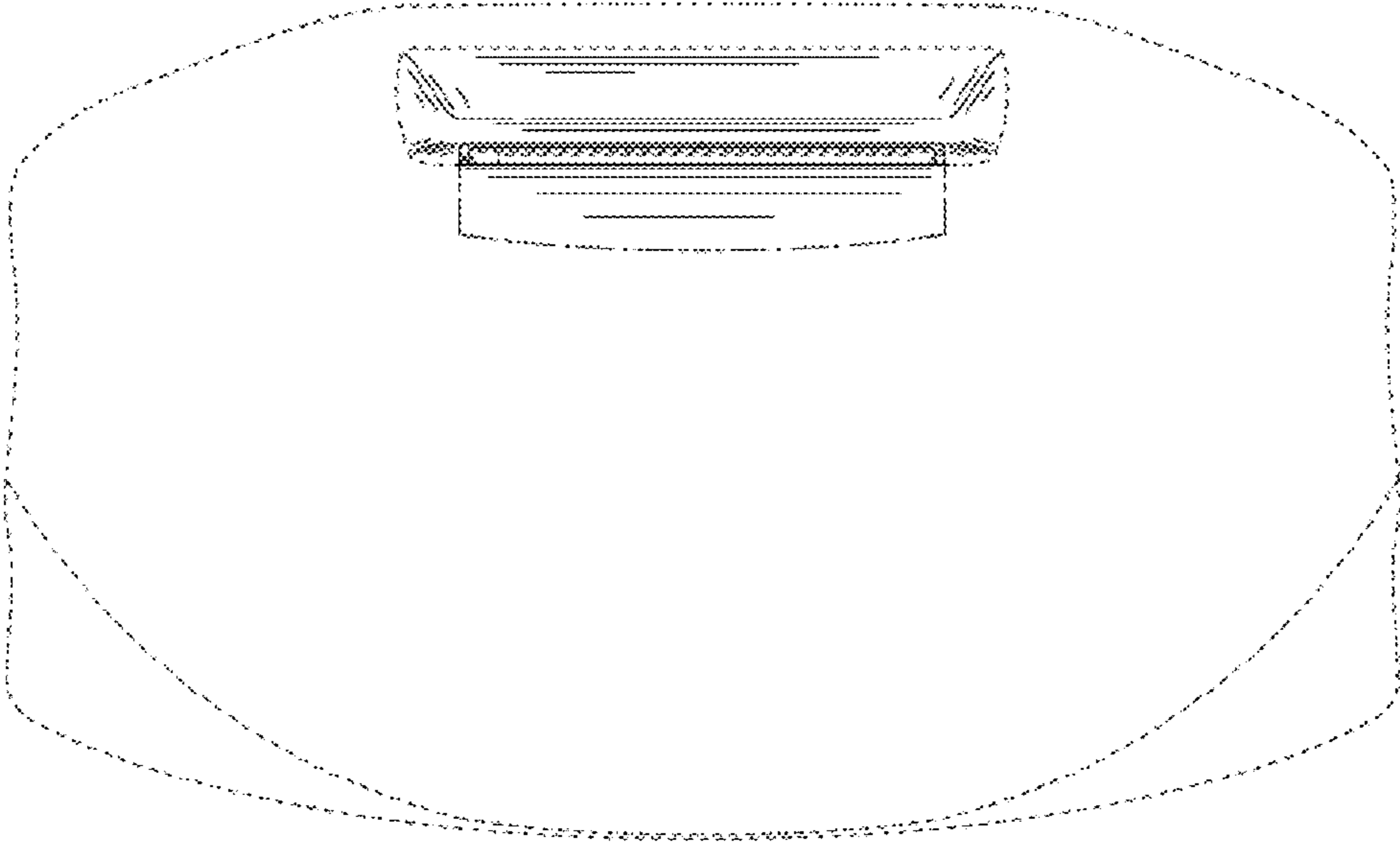


FIG. 6

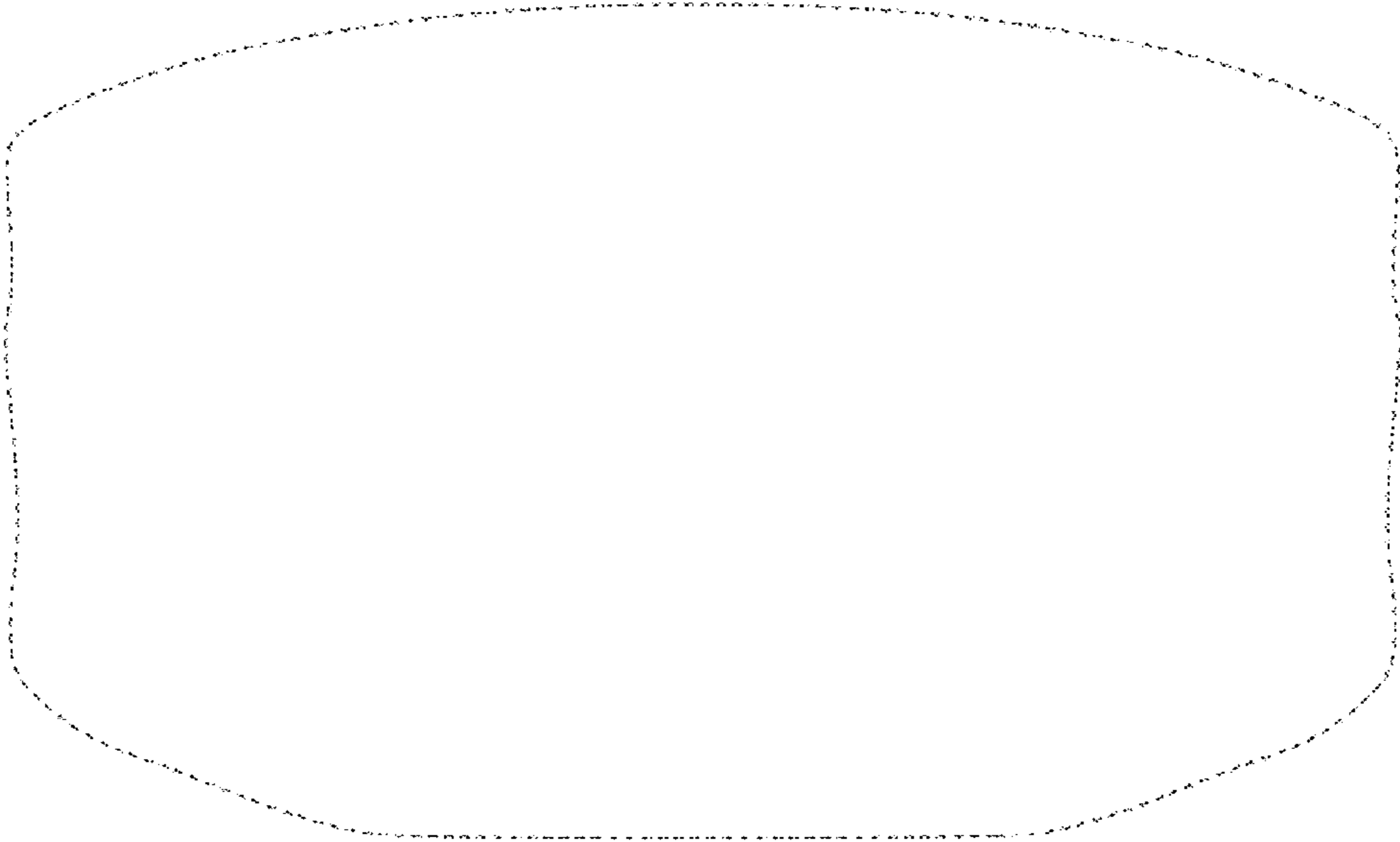


FIG. 7