



US00D724510S

(12) **United States Design Patent**
McMahan et al.

(10) **Patent No.:** **US D724,510 S**
(45) **Date of Patent:** **** Mar. 17, 2015**

(54) **VEHICLE SIDE MIRROR ASSEMBLY**

(71) Applicant: **GM Global Technology Operations LLC**, Detroit, MI (US)

(72) Inventors: **Robert B. McMahan**, Bloomfield Hills, MI (US); **Brendon C. Mackay**, Shelby Township, MI (US); **Tyler L. H. Moffett**, Detroit, MI (US)

(73) Assignee: **GM Global Technology Operations LLC**, Detroit, MI (US)

(**) Term: **14 Years**

(21) Appl. No.: **29/503,989**

(22) Filed: **Oct. 1, 2014**

(51) **LOC (10) Cl.** **12-16**

(52) **U.S. Cl.**
USPC **D12/187**

(58) **Field of Classification Search**
USPC D12/187, 188–189; D6/300, 309;
359/838, 841–844, 868, 871, 866;
248/479–483, 475.1

See application file for complete search history.

(56) **References Cited**

U.S. PATENT DOCUMENTS

D519,071 S * 4/2006 Moruzzi D12/187
D609,151 S * 2/2010 Kouchi et al. D12/187

D623,674 S * 9/2010 Wei et al. D16/101
D636,311 S * 4/2011 Faghihzadeh D12/187
D715,711 S * 10/2014 Blanski et al. D12/187
D716,206 S * 10/2014 Thole et al. D12/187
D716,207 S * 10/2014 Callum et al. D12/187
2006/0250423 A1* 11/2006 Kettle et al. 345/692
2009/0015955 A1* 1/2009 Muller 359/871

OTHER PUBLICATIONS

Design U.S. Appl. No. 29/491,286, filed May 20, 2014; First Named Inventor: Robert B. McMahan; Title: Vehicle Body Exterior; 7 pages.

* cited by examiner

Primary Examiner — Katrina A Betton

(74) *Attorney, Agent, or Firm* — Lionel D. Anderson; Reising Ethington P.C.

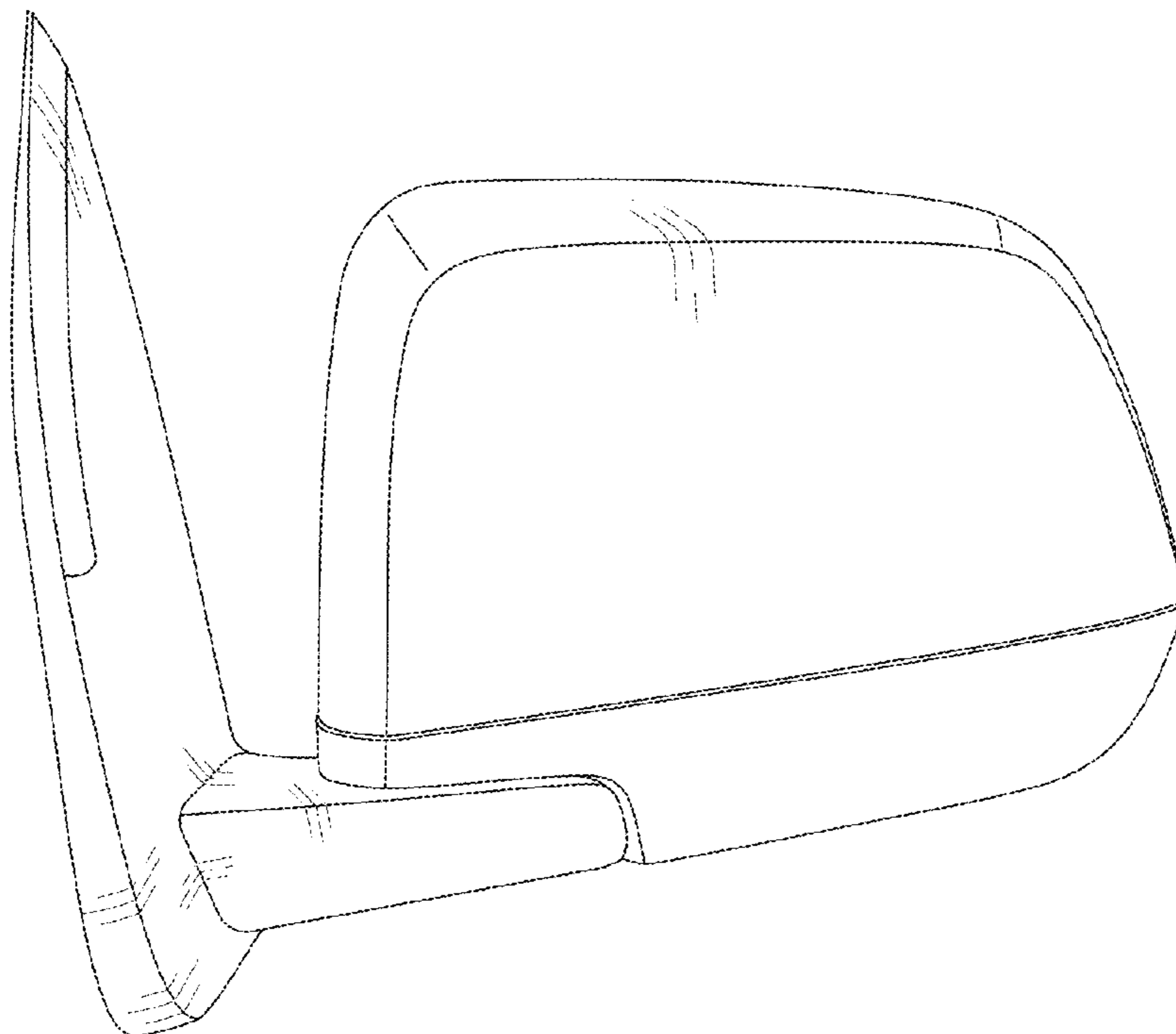
(57) **CLAIM**

The ornamental design for a vehicle side mirror assembly, as shown and described.

DESCRIPTION

FIG. 1 is a perspective view of the vehicle side mirror assembly;
FIG. 2 is a front view thereof;
FIG. 3 is a side elevation view thereof; and,
FIG. 4 is a top plan view thereof.

1 Claim, 2 Drawing Sheets



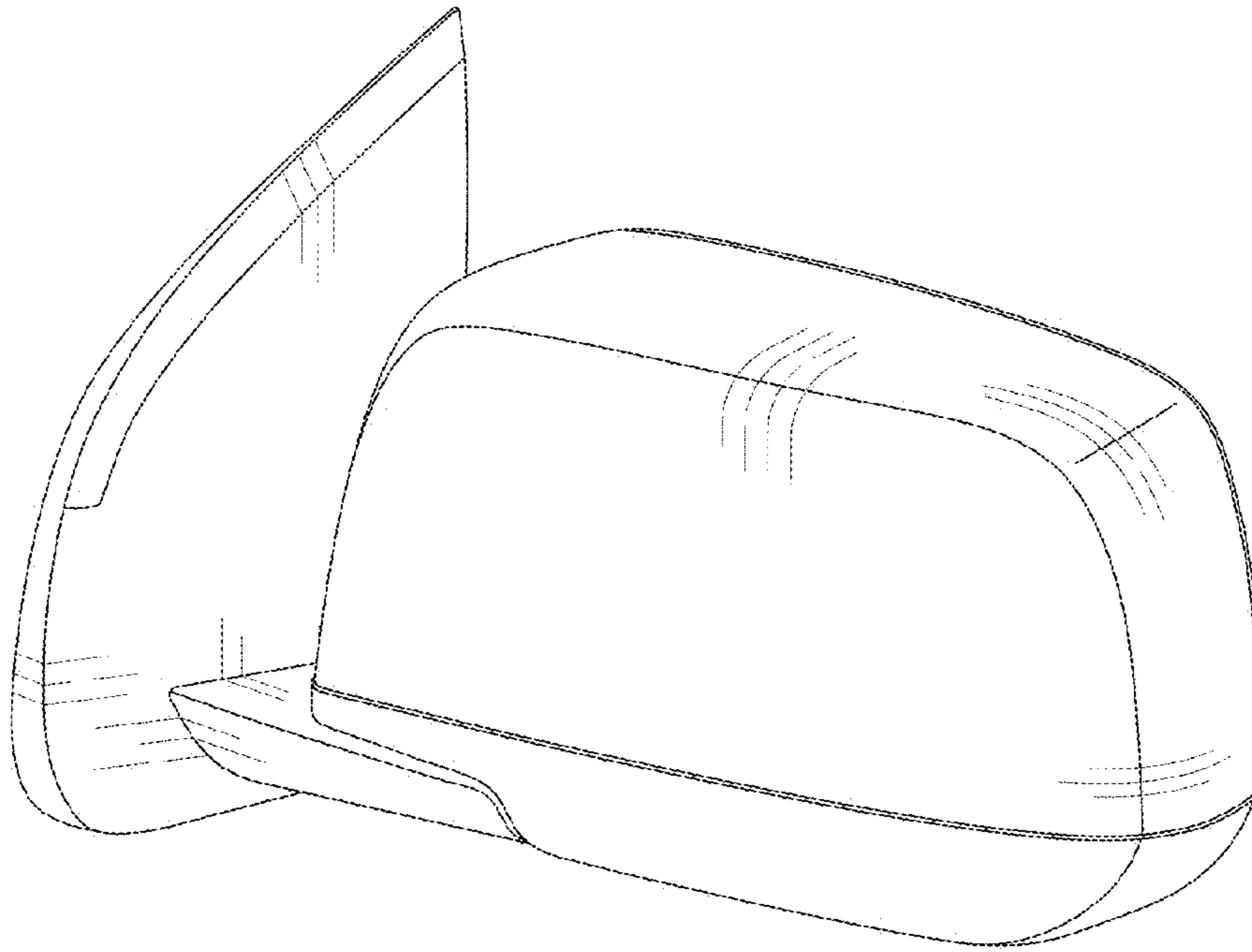


Fig-1

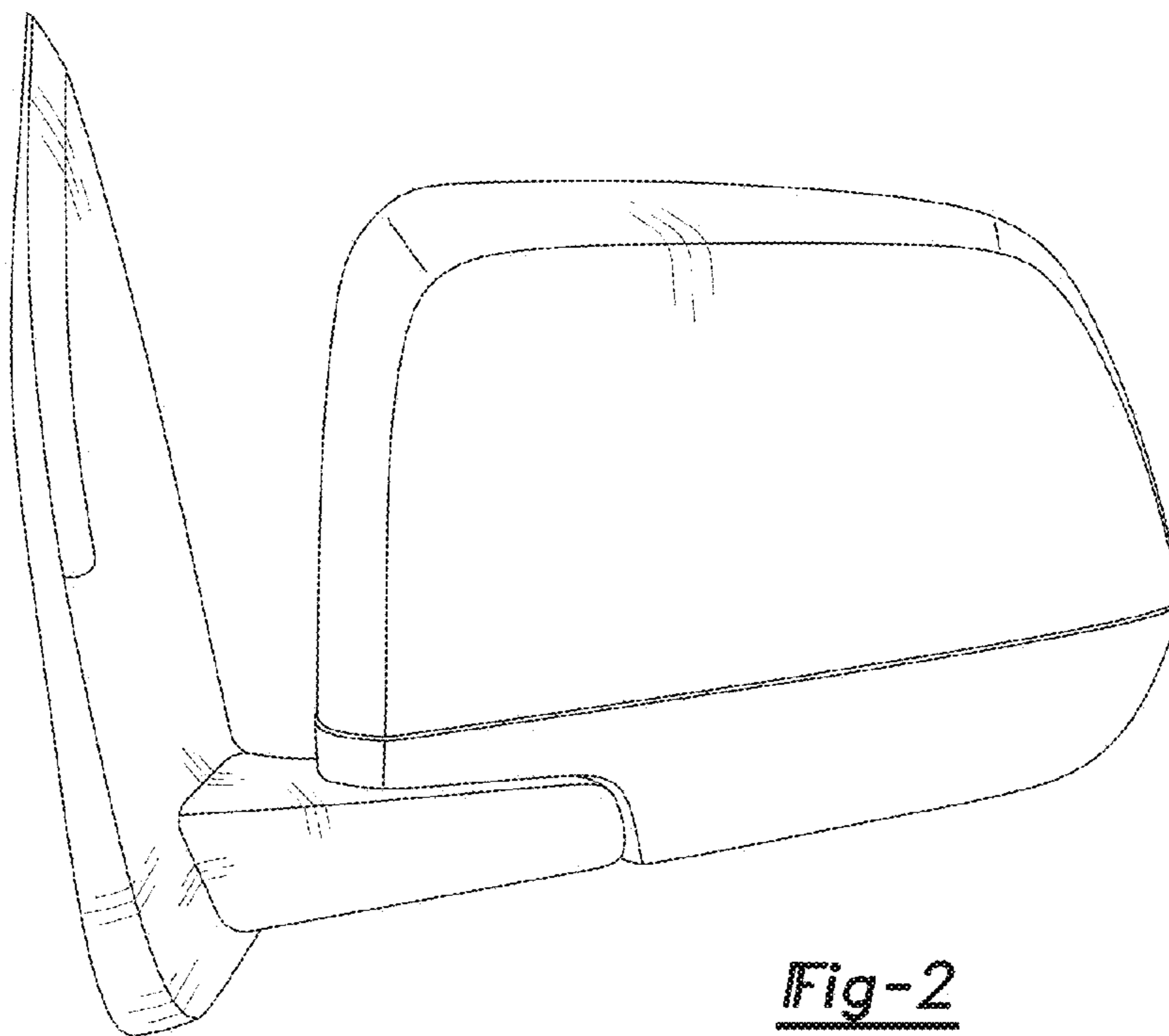


Fig-2

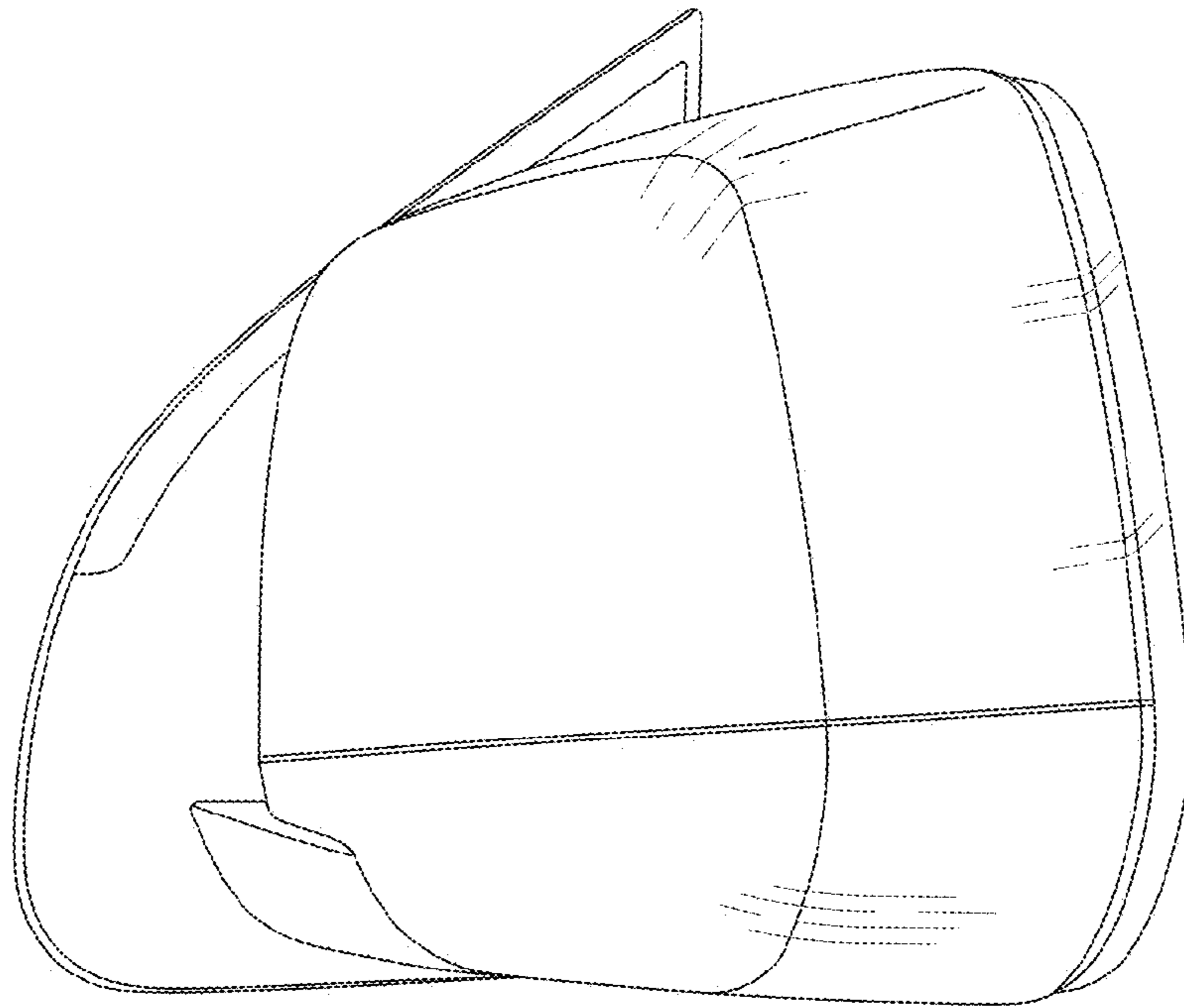


Fig-3

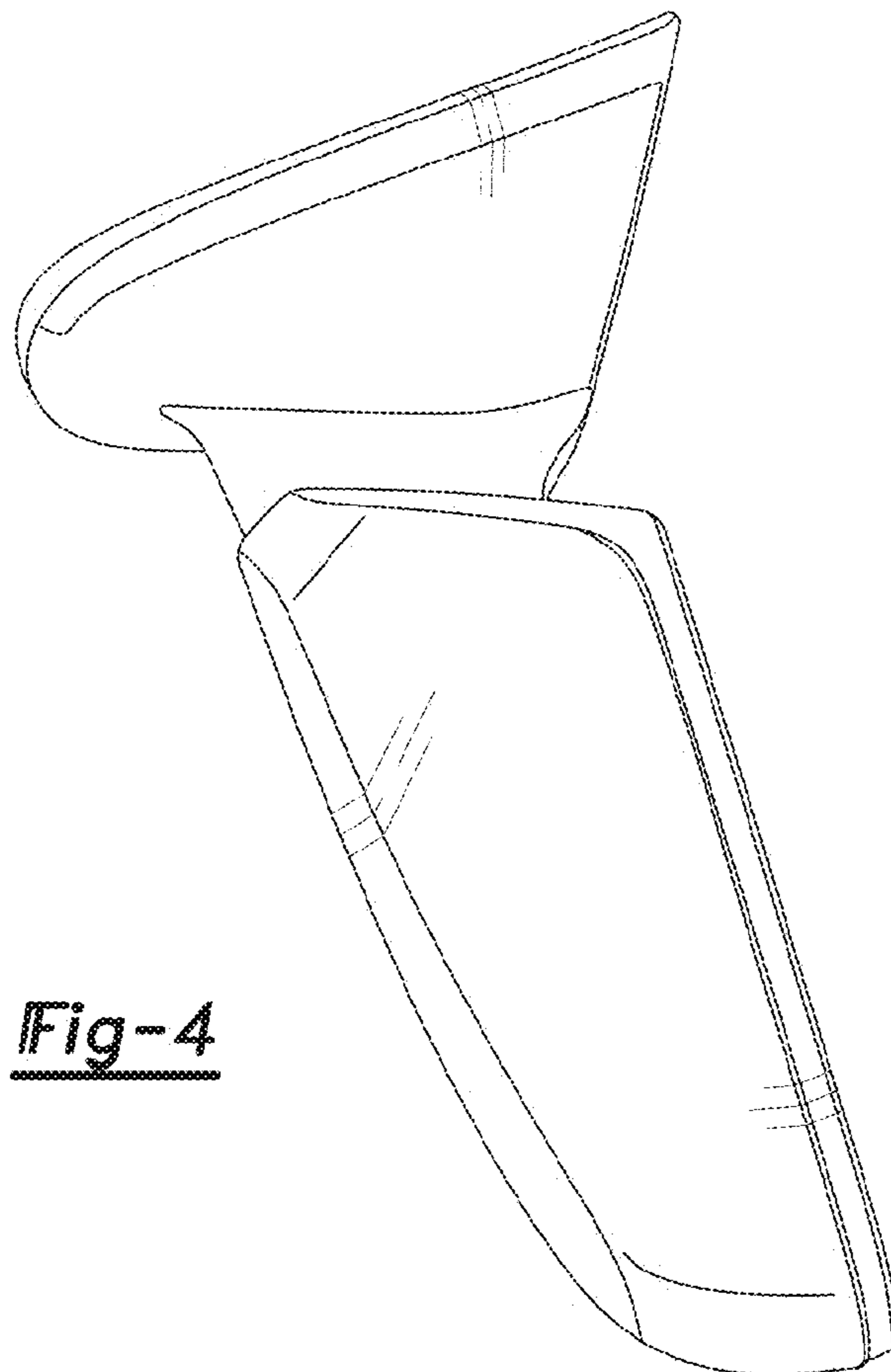


Fig-4