



US00D724508S

(12) **United States Design Patent**
Bohanan et al.

(10) **Patent No.:** **US D724,508 S**
(45) **Date of Patent:** **** Mar. 17, 2015**

- (54) **REAR-VIEW MIRROR DEVICE**
- (71) Applicant: **Protomet Corporation**, Oak Ridge, TN (US)
- (72) Inventors: **Jeff Bohanan**, Powell, TN (US);
Charles Reeves, Woodlands, TX (US)
- (73) Assignee: **Protomet Corporation**, Oak Ridge, TN (US)
- (**) Term: **14 Years**
- (21) Appl. No.: **29/492,228**
- (22) Filed: **May 29, 2014**

D451,456 S *	12/2001	Santo	D12/187
D458,568 S *	6/2002	Hook et al.	D12/187
D659,617 S *	5/2012	Brockington et al.	D12/187
D660,208 S *	5/2012	De Wind	D12/187
D661,234 S *	6/2012	De Wind	D12/187
8,797,627 B2 *	8/2014	McCabe et al.	359/267
2010/0085645 A1 *	4/2010	Skiver et al.	359/604
2010/0290141 A1 *	11/2010	Huang	359/844

* cited by examiner

Primary Examiner — Katrina A Betton
(74) *Attorney, Agent, or Firm* — Pitts & Lake, P.C.

Related U.S. Application Data

- (62) Division of application No. 29/434,846, filed on Oct. 17, 2012, now Pat. No. Des. 712,325.
- (51) **LOC (10) Cl.** **12-16**
- (52) **U.S. Cl.**
USPC **D12/187**
- (58) **Field of Classification Search**
USPC D12/187, 188–189; D6/300, 309;
359/838, 841–844, 868, 871, 866;
248/479–483, 475.1
See application file for complete search history.

References Cited

U.S. PATENT DOCUMENTS

D391,214 S *	2/1998	Hook et al.	D12/187
D400,481 S *	11/1998	Stephens et al.	D12/187
D410,607 S *	6/1999	Carter	D12/187
D450,281 S *	11/2001	Ypma et al.	D12/187

(57) **CLAIM**
We claim the ornamental design for a rear-view mirror device, as shown and described.

DESCRIPTION

FIG. 1 is a perspective view of a rear-view mirror device of the present general inventive concept. The broken lines showing the attachment bracket are for illustrative purposes only, and form no part of the claimed design;

FIG. 2 is a front elevation view of the rear-view mirror device shown in FIG. 1;

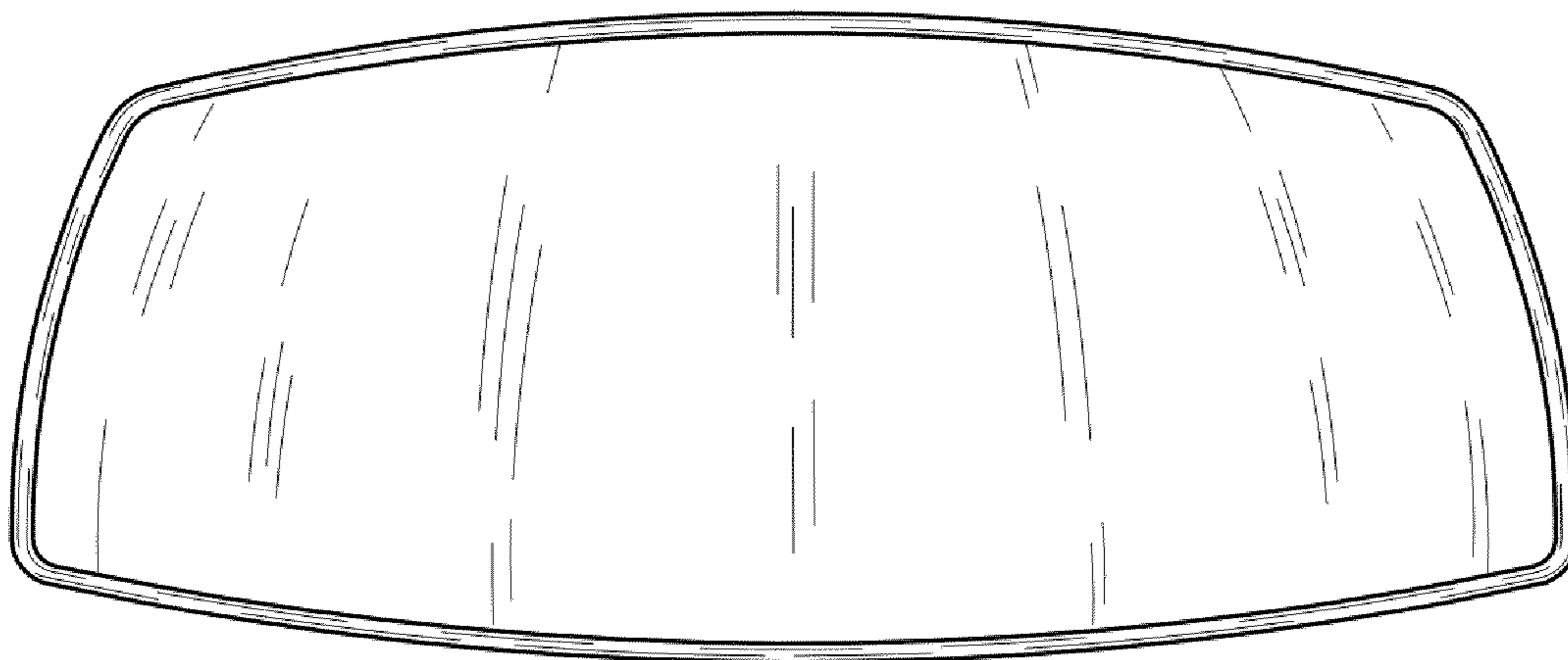
FIG. 3 is a rear elevation view of the rear-view mirror device shown in FIG. 1;

FIG. 4 is a top plan view of the rear-view mirror device shown in FIG. 1;

FIG. 5 is a bottom plan view of the rear-view mirror device shown in FIG. 1; and,

FIG. 6 is a right side elevation view of the rear-view mirror device shown in FIG. 1, the left side elevation view being a mirror image thereof.

1 Claim, 3 Drawing Sheets



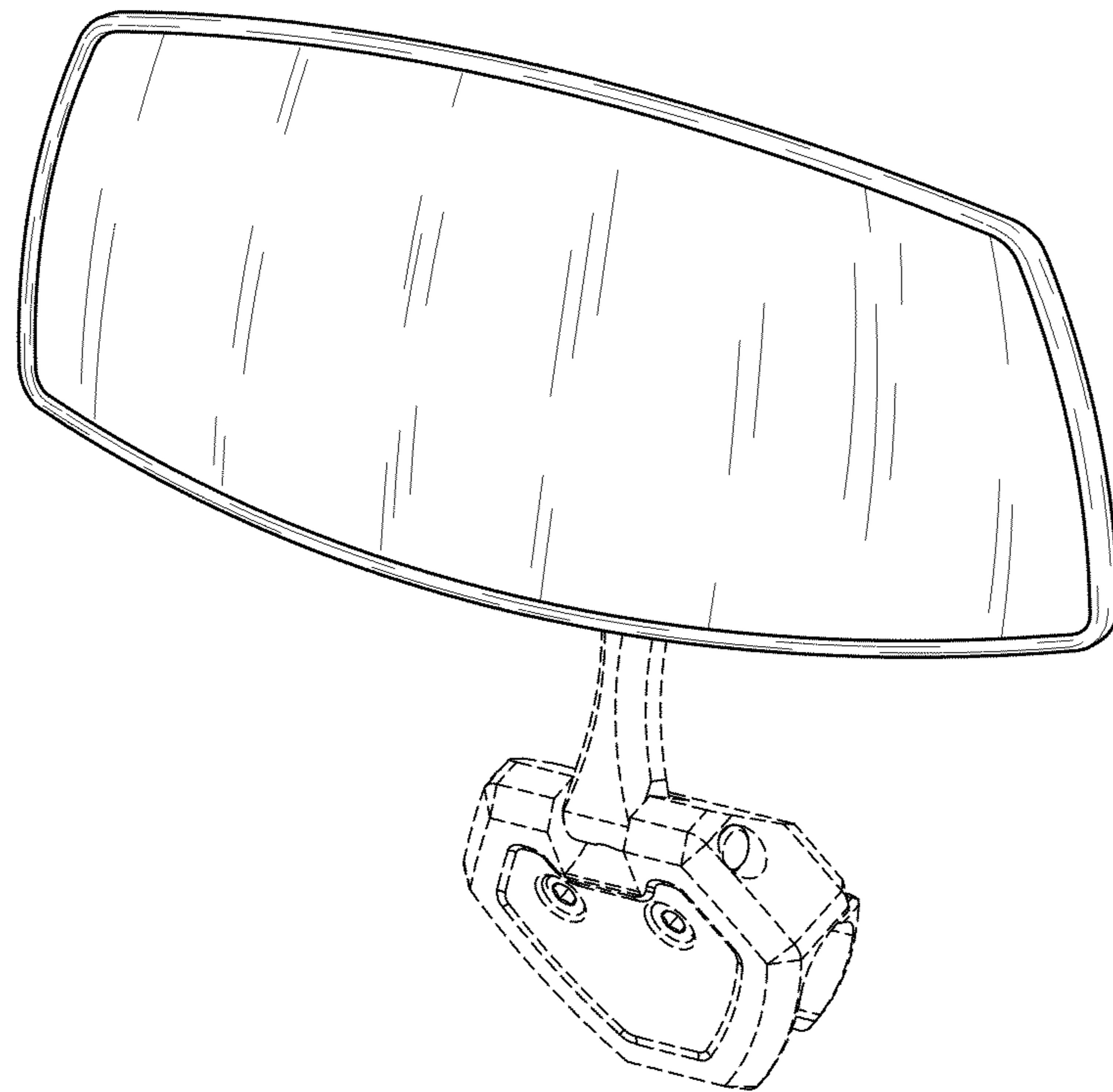


Fig. 1

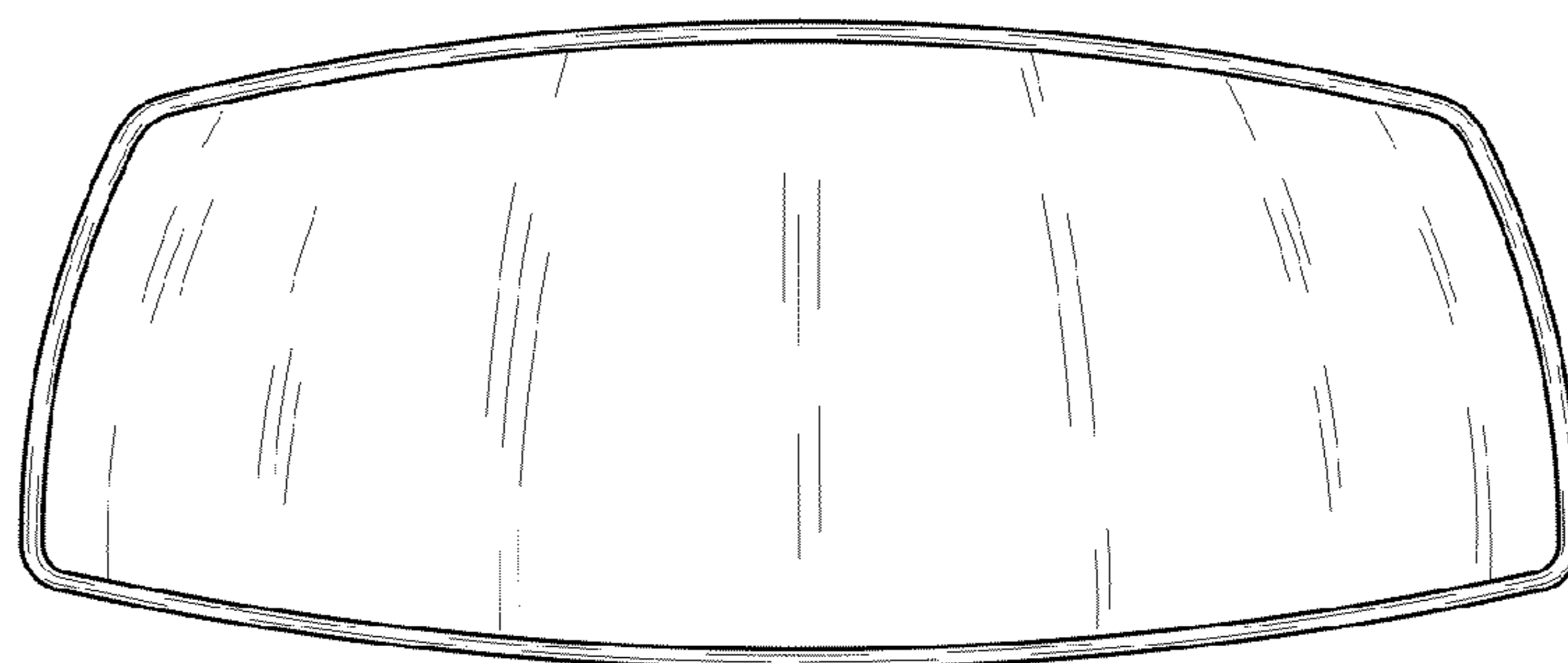


Fig. 2

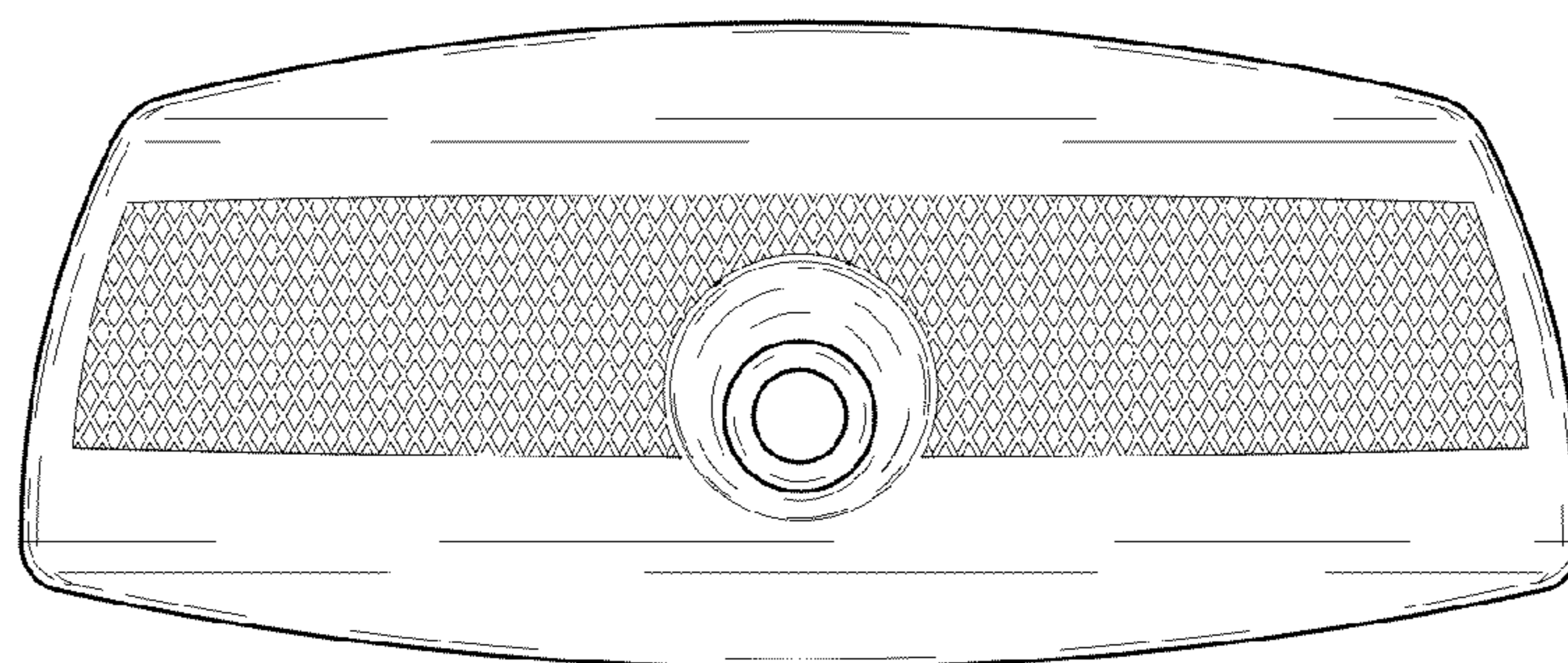


Fig. 3

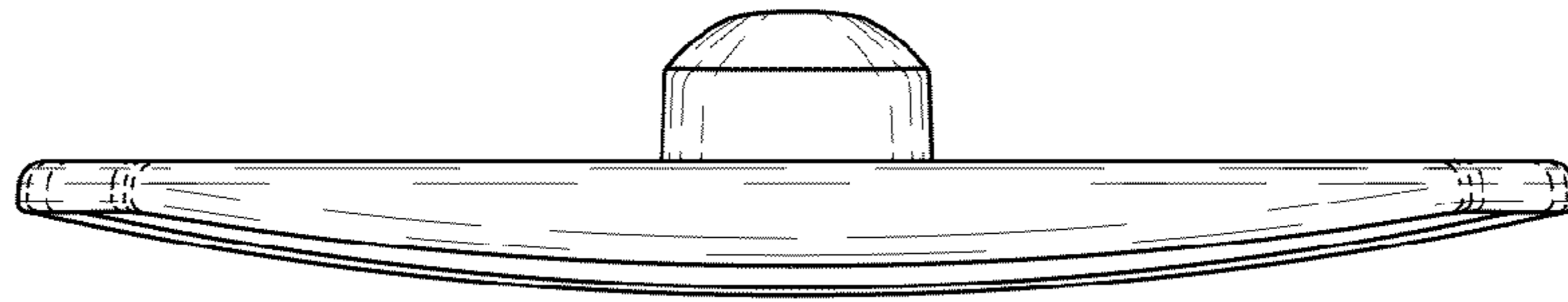


Fig. 4

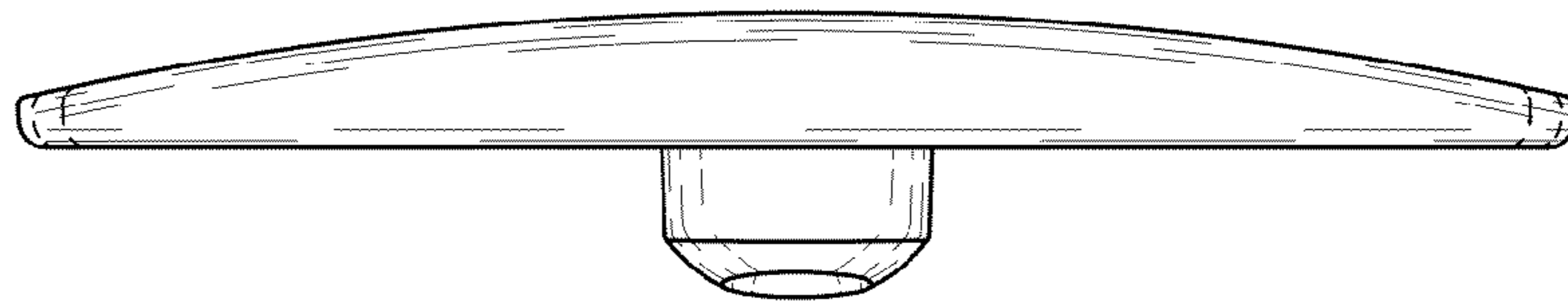


Fig. 5

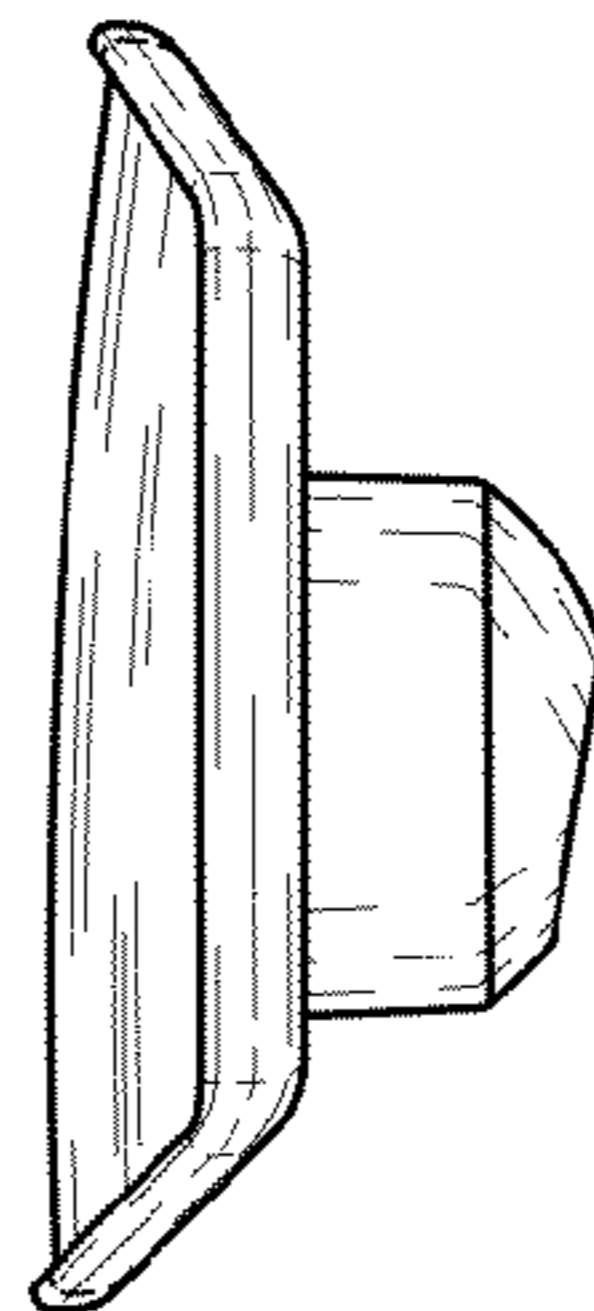


Fig. 6