



US00D724506S

(12) **United States Design Patent**
Bernasconi

(10) **Patent No.:** **US D724,506 S**
(45) **Date of Patent:** **** Mar. 17, 2015**

- (54) **BRAKE PAD FOR A BICYCLE**
- (71) Applicant: **Rex Group SA**, Mendrisio (CH)
- (72) Inventor: **Davide Bernasconi**, Gironico (IT)
- (73) Assignee: **Rex Group SA**, Mendrisio (CH)
- (**) Term: **14 Years**
- (21) Appl. No.: **29/464,228**
- (22) Filed: **Aug. 14, 2013**
- (30) **Foreign Application Priority Data**

May 10, 2013 (CH) 139884

- (51) **LOC (10) Cl.** **12-16**
- (52) **U.S. Cl.**
USPC **D12/180**
- (58) **Field of Classification Search**
USPC 280/291, 274, 281.1; 74/564; D12/114,
D12/180; 188/265, 18 A, 31, 72.7, 24.22,
188/1.11 W, 251 A, 24.19, 250 B, 24.11,
188/24.12, 73.1, 344, 238, 244, 2 D, 245,
188/250 G, 1.11 I; 70/233; D8/303, 39, 59,
D8/67, 68, 80, 82, 83, 86, 106, 300, 308,
D8/309; 29/428; 60/591; 403/348, 361;
340/454; D2/744, 747
See application file for complete search history.

(56) **References Cited**
U.S. PATENT DOCUMENTS

D295,847 S *	5/1988	Everett	D12/180
D426,181 S *	6/2000	Everett	D12/180
6,688,436 B1 *	2/2004	Wang	188/1.11 L
6,874,601 B2 *	4/2005	Kuo	188/24.22

7,000,739 B2 *	2/2006	Ciamillo	188/24.22
7,314,122 B2 *	1/2008	Everett et al.	188/24.22
8,651,244 B2 *	2/2014	Moore	188/24.12
2003/0155189 A1 *	8/2003	Everett	188/24.12
2003/0168292 A1 *	9/2003	Kuo	188/24.11
2004/0168869 A1 *	9/2004	Kuo	188/250 B
2005/0029058 A1 *	2/2005	Everett et al.	188/24.11
2006/0144654 A1 *	7/2006	Lin	188/251 A
2009/0038894 A1 *	2/2009	Liu et al.	188/24.22
2009/0114489 A1 *	5/2009	Simkins	188/24.22
2009/0178891 A1 *	7/2009	Chen	188/24.19
2009/0250299 A1 *	10/2009	Tsai	188/24.22
2012/0018258 A1 *	1/2012	Auger et al.	188/24.22
2013/0020151 A1 *	1/2013	Moore	188/1.11 W
2013/0025980 A1 *	1/2013	Wehage	188/24.22
2013/0341128 A1 *	12/2013	Jordan et al.	188/24.22
2014/0041971 A1 *	2/2014	Hujer	188/72.7

* cited by examiner

Primary Examiner — Eric Goodman

Assistant Examiner — Ryan Harvey

(74) *Attorney, Agent, or Firm* — Duane Morris LLP; J. Rodman Steele, Jr.; Gregory M. Lefkowitz

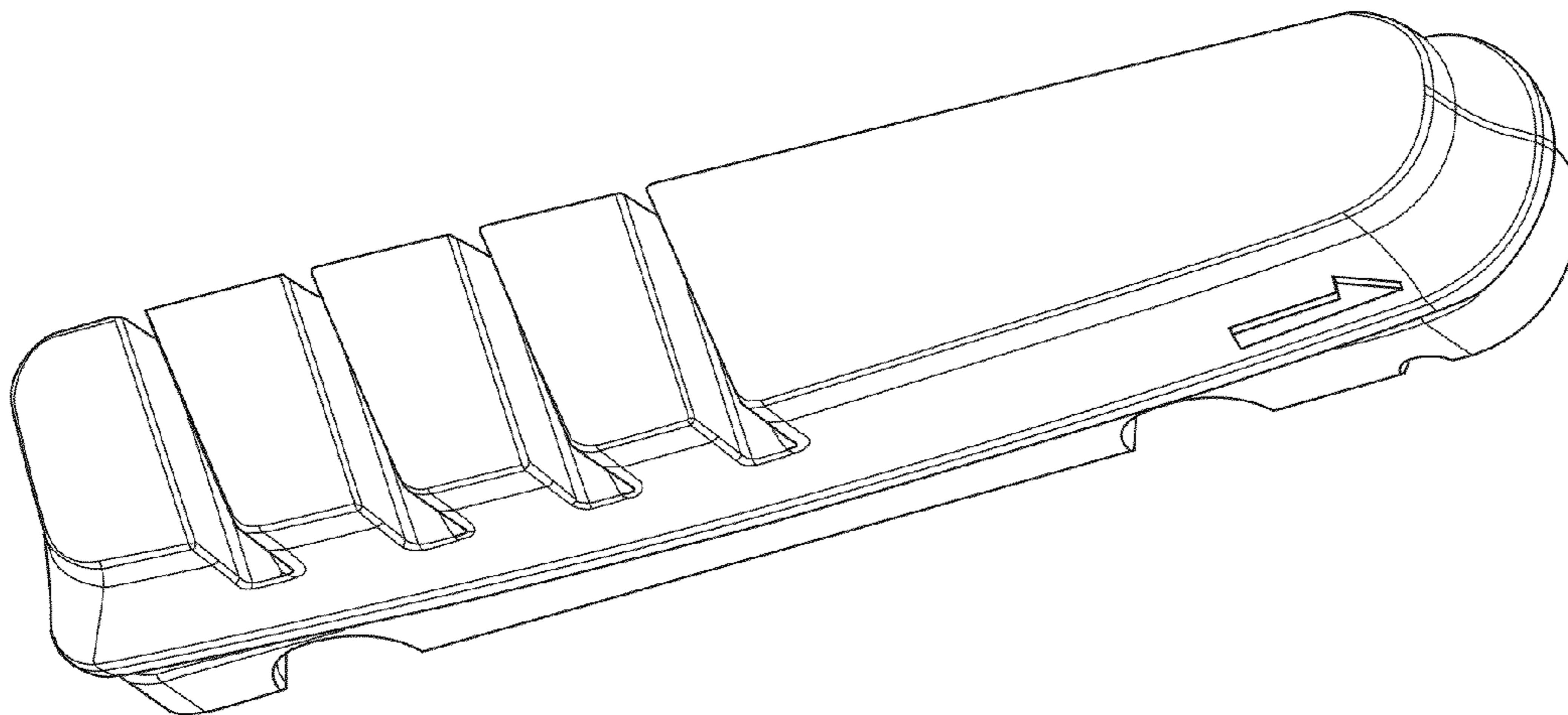
(57) **CLAIM**

The ornamental design for a brake pad for a bicycle, as shown and described.

DESCRIPTION

FIG. 1 is a perspective view of a brake pad for a bicycle in accordance with the new design;
 FIG. 2 is a top plan view thereof;
 FIG. 3 is a front elevation view thereof;
 FIG. 4 is a bottom plan view thereof;
 FIG. 5 is a back elevation view thereof;
 FIG. 6 is a right elevation view thereof; and,
 FIG. 7 is a left elevation view thereof.

1 Claim, 6 Drawing Sheets



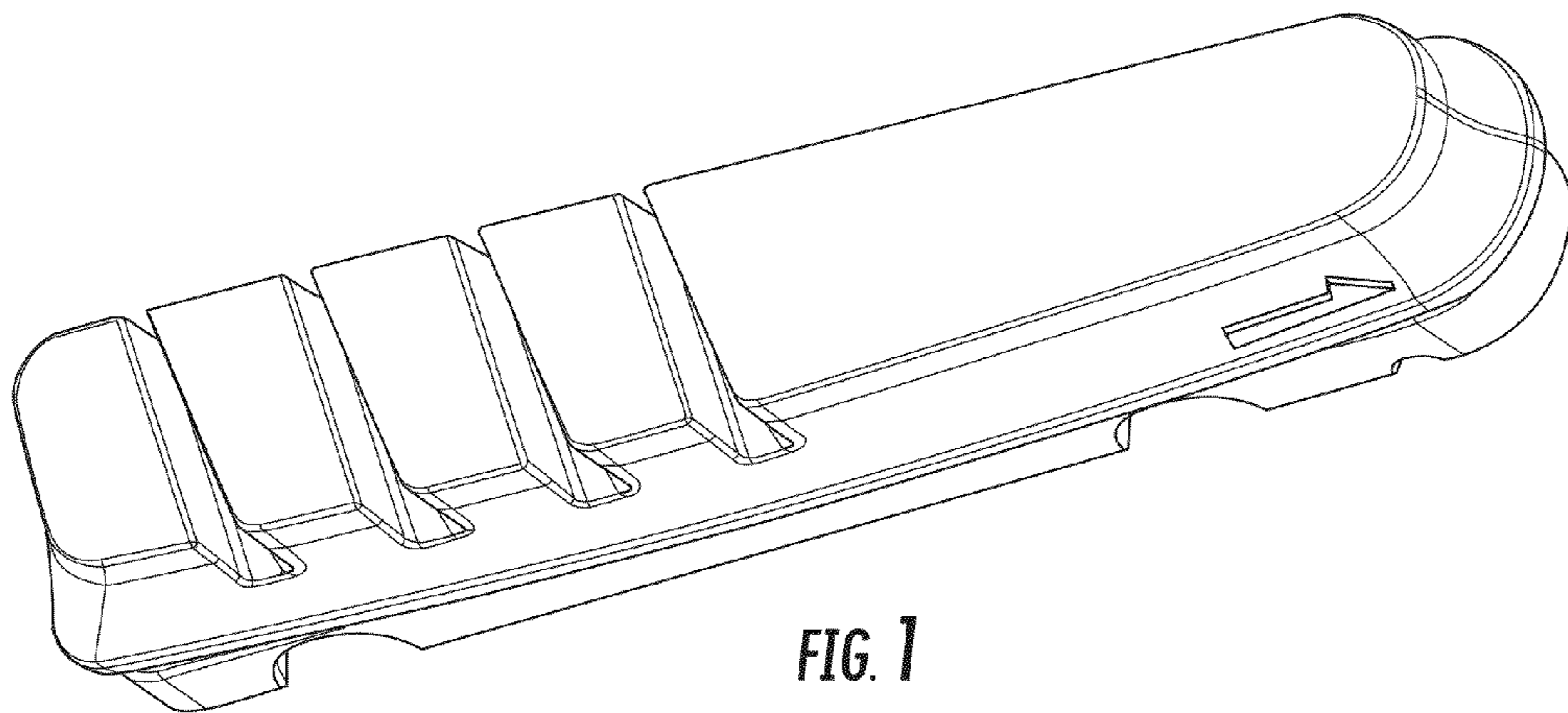


FIG. 1

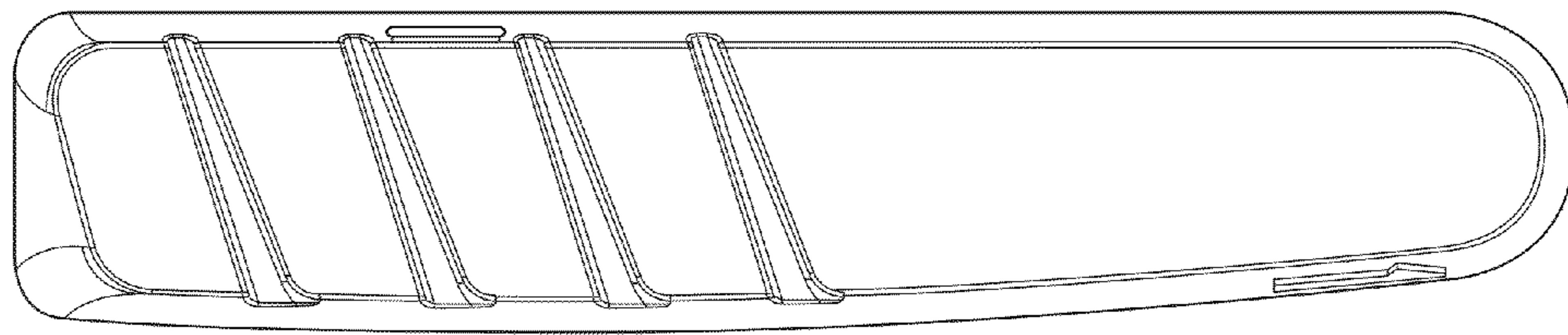


FIG. 2

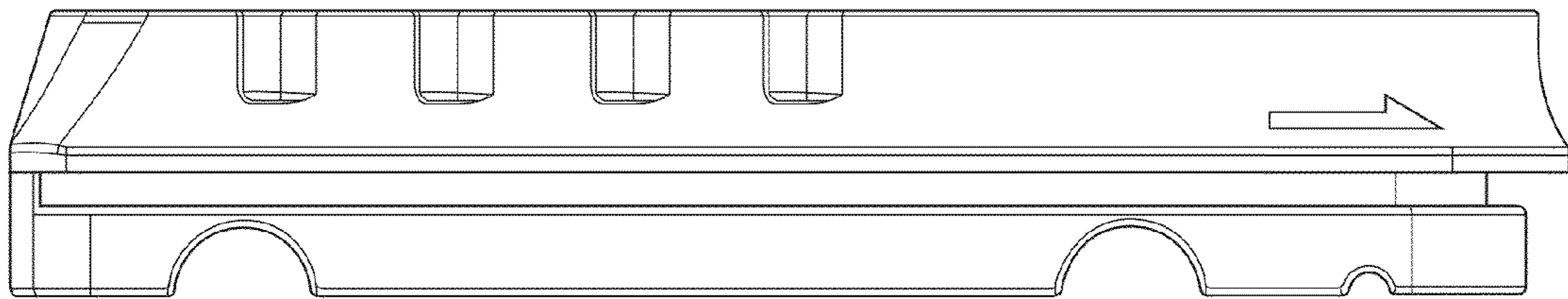


FIG. 3

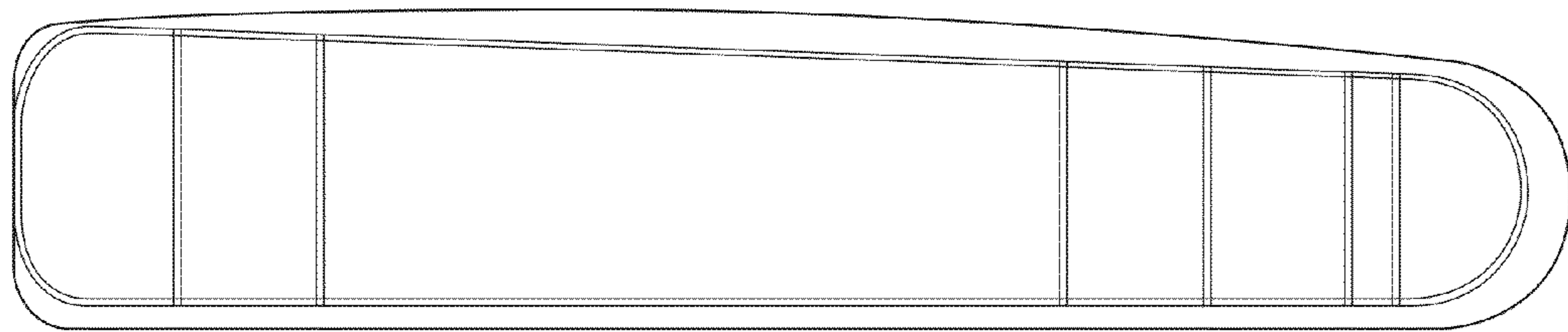


FIG. 4

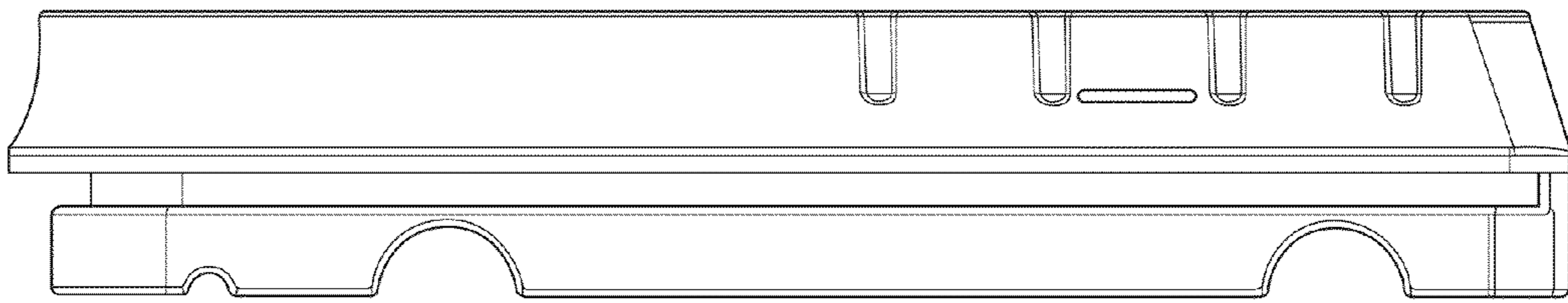


FIG. 5

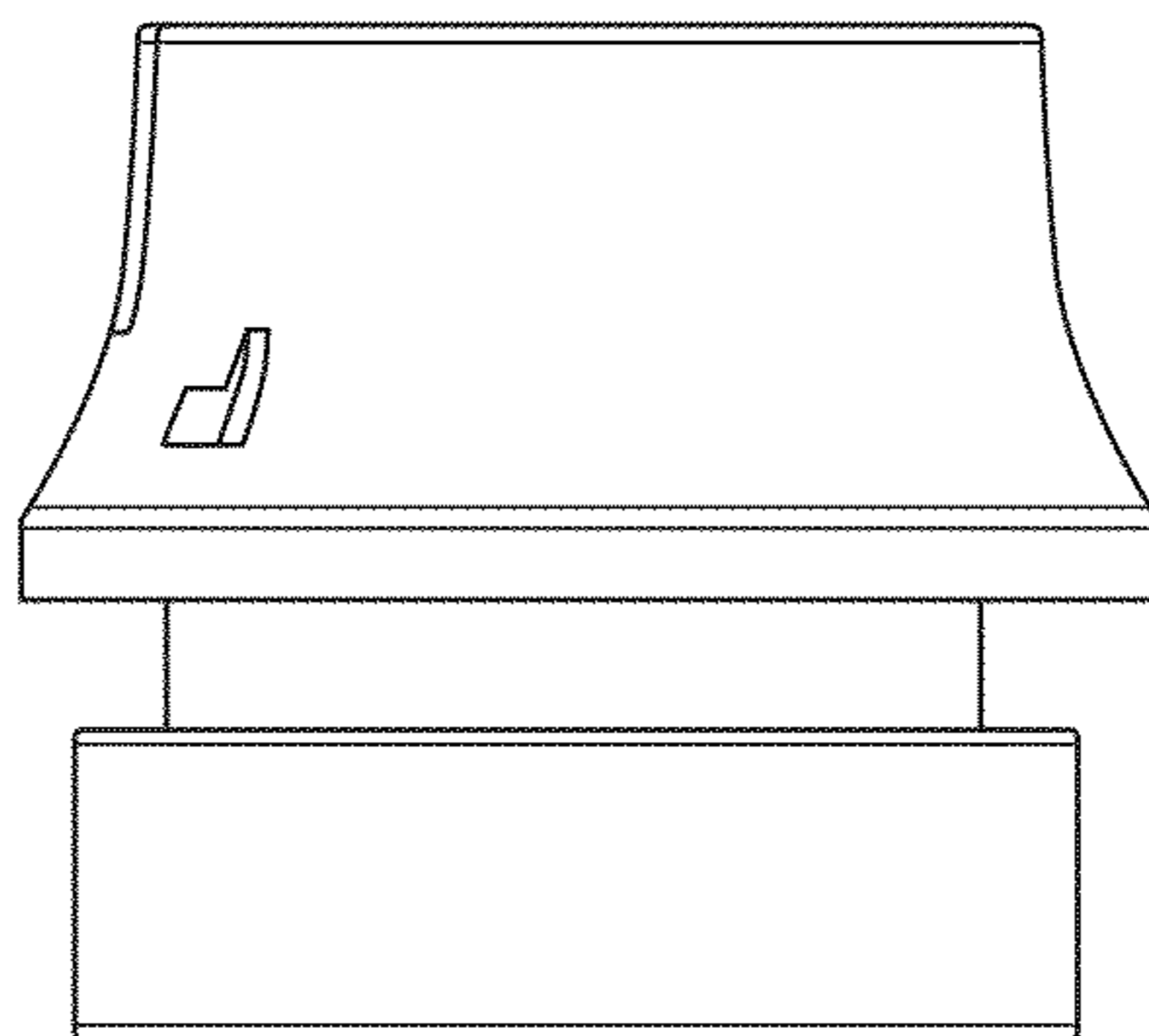


FIG. 6

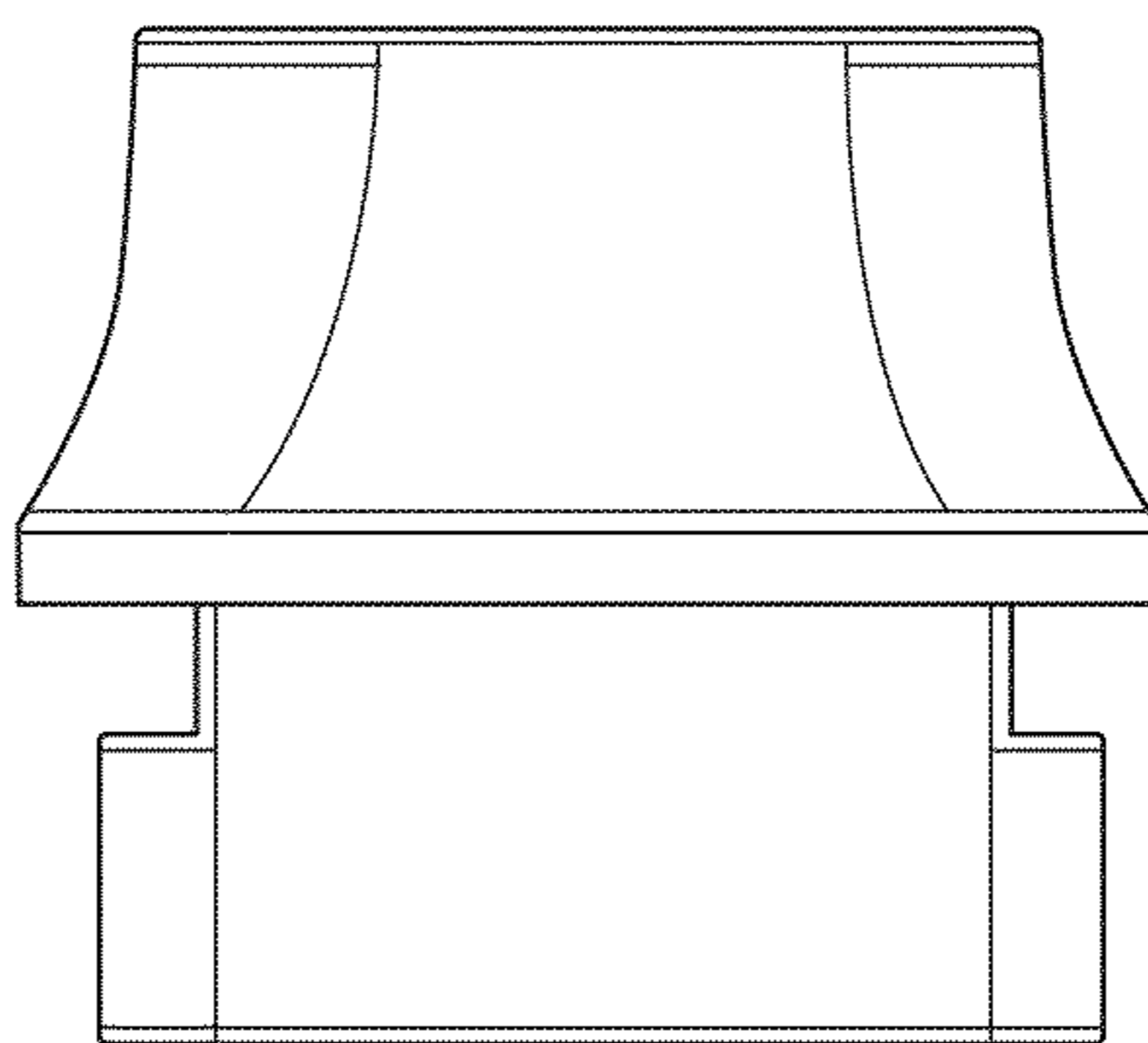


FIG. 7