



US00D724505S

(12) **United States Design Patent**
Schroeder et al.

(10) **Patent No.:** **US D724,505 S**
(45) **Date of Patent:** **** Mar. 17, 2015**

- (54) **FRONT BUMPER FOR AN ALL-TERRAIN VEHICLE**
- (71) Applicants: **Anthony Schroeder**, Huntington Beach, CA (US); **Eric Chin**, Irvine, CA (US)
- (72) Inventors: **Anthony Schroeder**, Huntington Beach, CA (US); **Eric Chin**, Irvine, CA (US)
- (73) Assignee: **Honda Motor Co., Ltd.**, Tokyo (JP)

(**) Term: **14 Years**

(21) Appl. No.: **29/490,714**

(22) Filed: **May 13, 2014**

(51) **LOC (10) Cl.** **12-16**

(52) **U.S. Cl.**
USPC **D12/171**

(58) **Field of Classification Search**
CPC B60R 19/52; B60R 2019/522
USPC D12/90–92, 98, 163, 169, 171;
180/86.1, 86.2; 296/95.1, 97.7, 183.1,
296/187.03, 187.09, 187.1, 193.1; 293/102,
293/112, 115, 117, 120, 142–149; 280/163,
280/164

See application file for complete search history.

(56) **References Cited**

U.S. PATENT DOCUMENTS

- D388,042 S * 12/1997 Thorne et al. D12/171
- D405,408 S 2/1999 Yoshida et al.
- D410,879 S 6/1999 Orth, Sr.
- D419,936 S 2/2000 Sacco et al.
- D420,962 S * 2/2000 Chevalier D12/171
- D425,462 S 5/2000 Ujiie
- D437,270 S 2/2001 Yokomaku
- D472,854 S * 4/2003 Weber et al. D12/163
- 6,612,595 B1 9/2003 Storer
- 6,685,244 B2 * 2/2004 McCoy et al. 293/102
- D512,666 S 12/2005 Chiang
- D513,718 S * 1/2006 Itaya et al. D12/107
- D527,696 S * 9/2006 Ichikawa et al. D12/171

- D532,348 S * 11/2006 Kudo et al. D12/171
- D557,642 S * 12/2007 Miwa et al. D12/171
- D577,640 S 9/2008 Wyszogrod et al.
- D580,322 S * 11/2008 Schroeder et al. D12/171
- D592,574 S 5/2009 Larson
- D599,250 S * 9/2009 Hirano D12/107
- D609,615 S 2/2010 Krugger et al.
- D617,700 S 6/2010 Nishio
- D637,533 S 5/2011 Miyazawa et al.
- D637,539 S 5/2011 Welch et al.
- D641,669 S 7/2011 Vardis
- D641,672 S 7/2011 Willoughby et al.
- D641,674 S 7/2011 Kim et al.

(Continued)

OTHER PUBLICATIONS

“Polaris—2013 Off-Road Vehicles.” Polaris Brochure., Jul. 30, 2012 [online], [retrieved on Sep. 1, 2014]. Retrieved from the Internet <URL: <http://cdn.polarisindustries.com/polaris/orv/2013/img/shopping-tools/2013-brochure.pdf>>.*

(Continued)

Primary Examiner — Philip S Hyder
Assistant Examiner — Darlington Ly
(74) *Attorney, Agent, or Firm* — Pearne & Gordon LLP

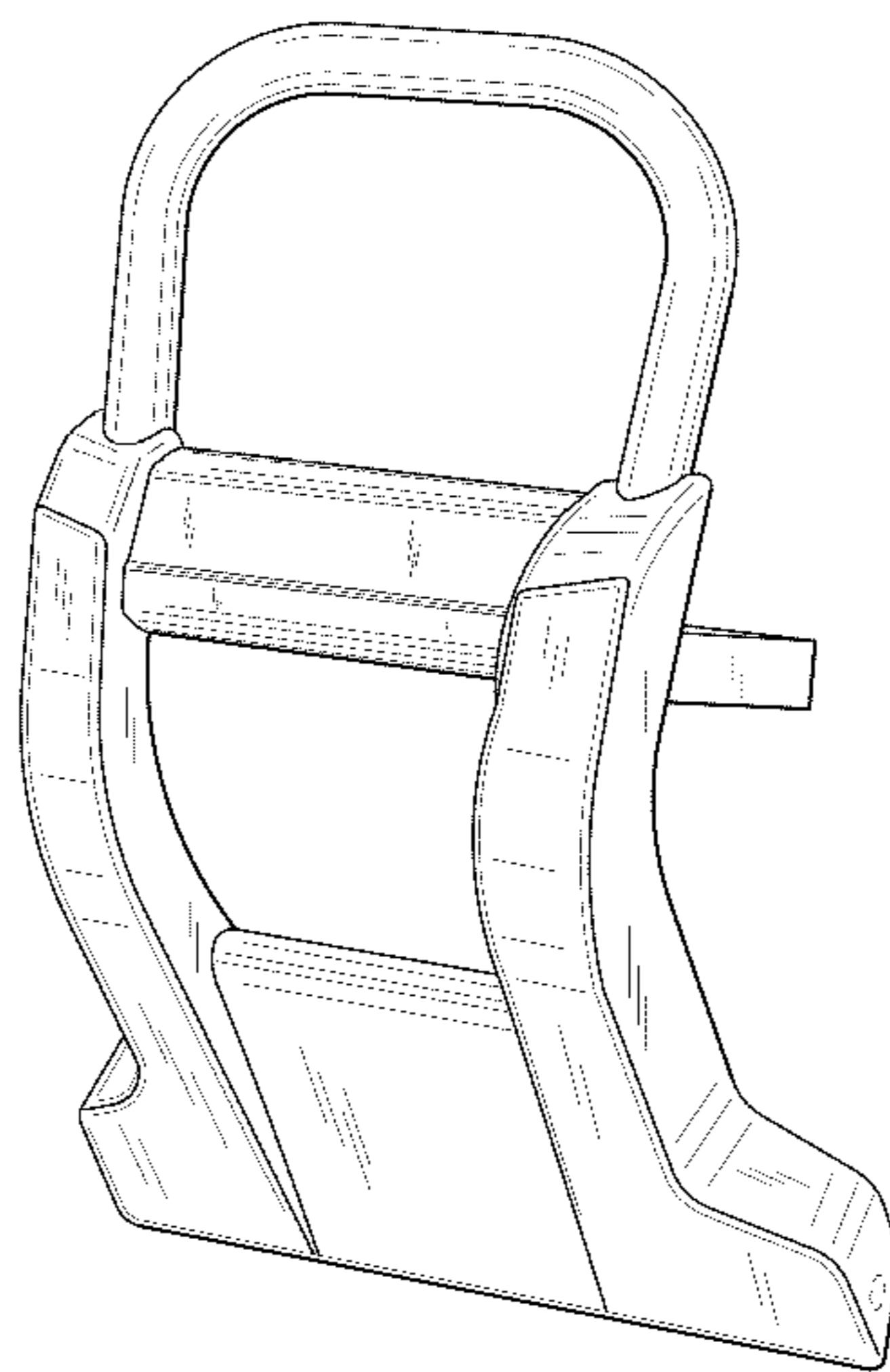
(57) **CLAIM**

The ornamental design for a front bumper for an all-terrain vehicle, as shown and described.

DESCRIPTION

FIG. 1 is a perspective view of our new invention; FIG. 2 is a front view thereof; FIG. 3 is a top view thereof; FIG. 4 is a right view thereof, a left view being a mirror image thereof; FIG. 5 is a rear view thereof; and, FIG. 6 is a bottom view thereof. The broken lines shown in the drawings illustrate portions of the front bumper for an all-terrain vehicle that forms no part of claimed design.

1 Claim, 3 Drawing Sheets



(56)

References Cited

U.S. PATENT DOCUMENTS

D642,099 S * 7/2011 Nagao et al. D12/171
D643,350 S 8/2011 Furst
D643,781 S 8/2011 Nagao et al.
D669,403 S 10/2012 Gifford
D669,504 S * 10/2012 Higashikawa D15/28
D679,227 S 4/2013 Schmeckpeper
D682,754 S 5/2013 Robinson
D691,074 S * 10/2013 Dugardin D12/171
D692,812 S 11/2013 Harriton
D693,753 S 11/2013 Cheung et al.
D694,159 S 11/2013 Jung
8,678,482 B2 3/2014 O'Brien et al.
D704,610 S 5/2014 Mizuhata et al.
D707,595 S 6/2014 Kavaja

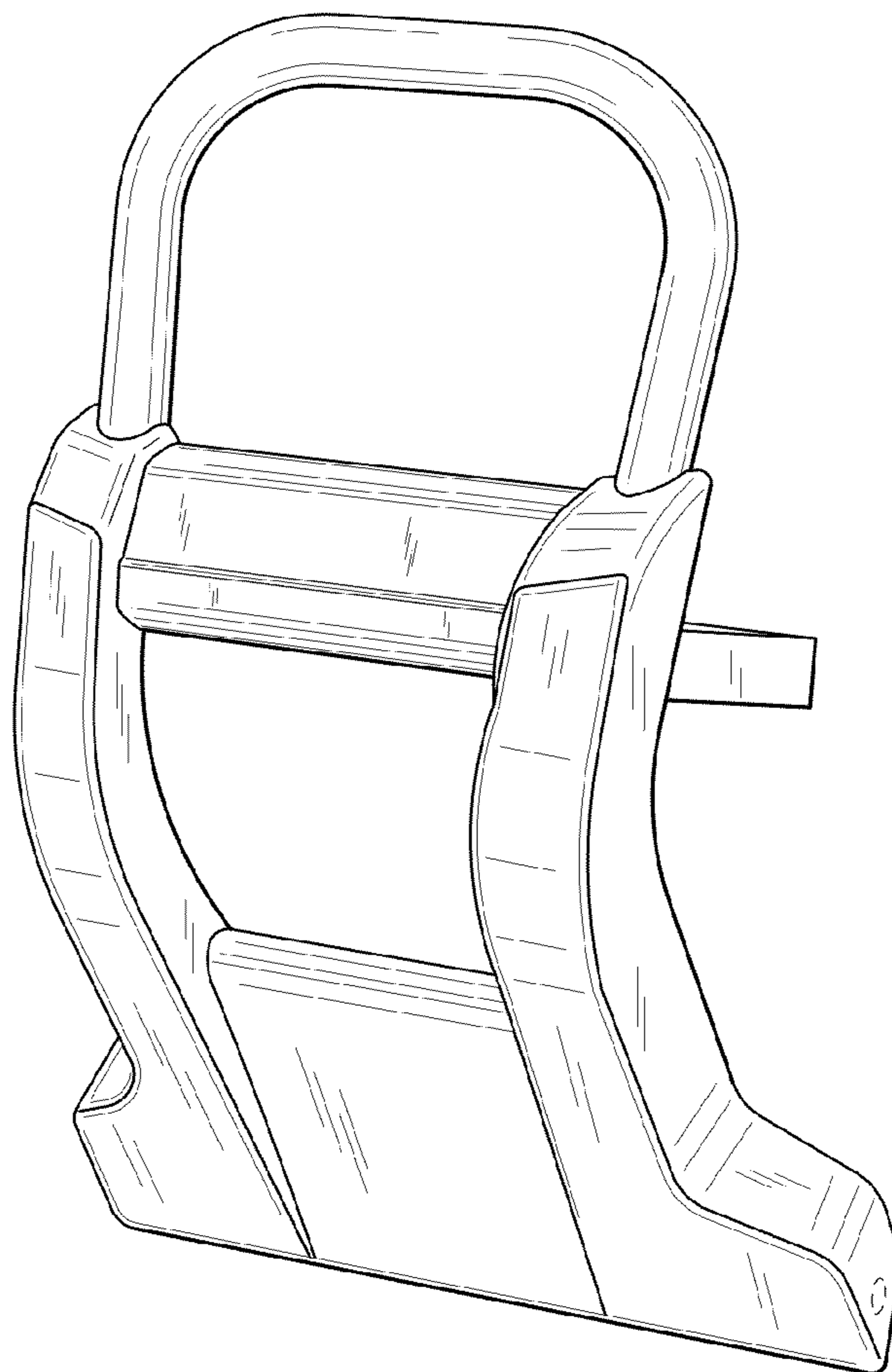
2006/0201727 A1 9/2006 Chan
2013/0187395 A1 7/2013 Hanson et al.
2014/0319306 A1 10/2014 Massicotte et al.

OTHER PUBLICATIONS

“Honda—ATV Range.” Honda Brochure., Aug. 12, 2014 [online], [retrieved on Sep. 1, 2014]. Retrieved from the Internet <URL: http://motorcycles.honda.com.au/brochures/Honda_ATV_Range.pdf>.*
“Honda—ATV Range”—Honda Brochure—Aug. 12, 2014 [online]—Retrieved on Sep. 1, 2014—Retrieved from the INternet, URL: http://motorcycles.honda.com.au/brochures/Honda_ATV_Range.pdf>.
“Polaris—2013 Off-Road Vehicles”—Polaris Brochure—Jul. 30, 2012 [online]—Retrieved on Sep. 1, 2014—Retrieved from the Internet < URL: <http://cdn.polarisindustries.com/polaris/orv/2013/img/shopping-tools/2013-brochure.pdf>>.

* cited by examiner

FIG. 1



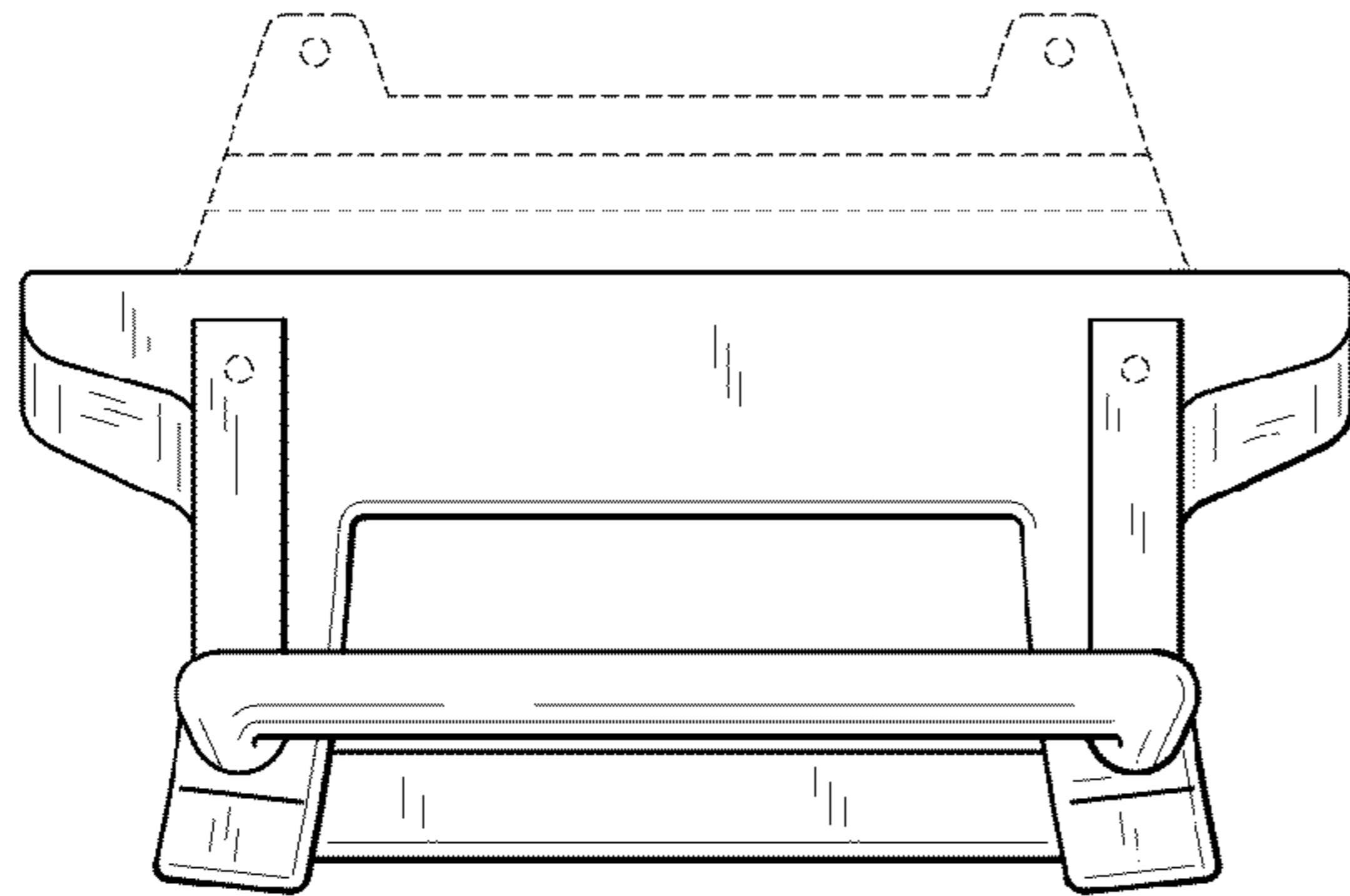


FIG. 3

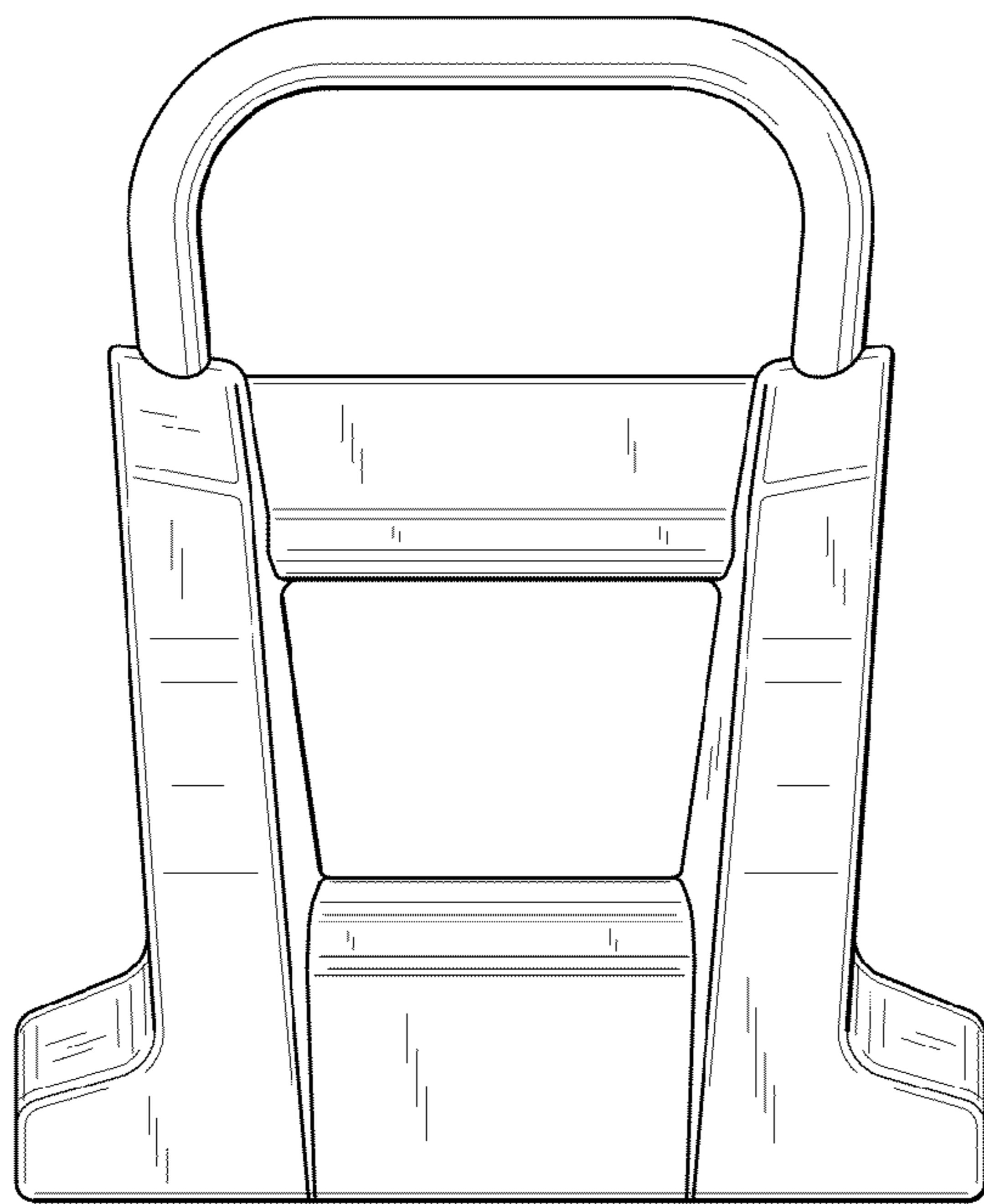


FIG. 2

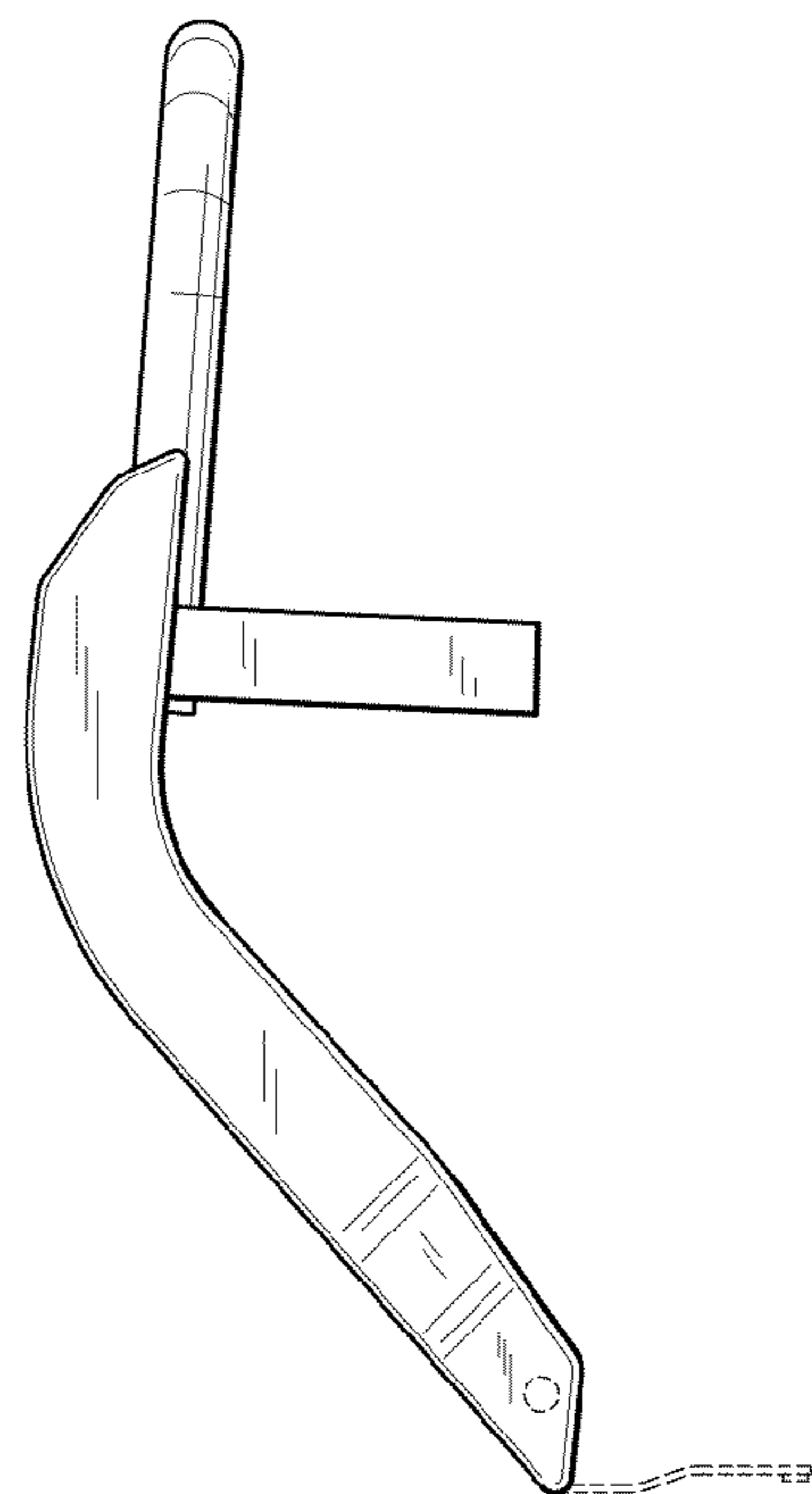


FIG. 4

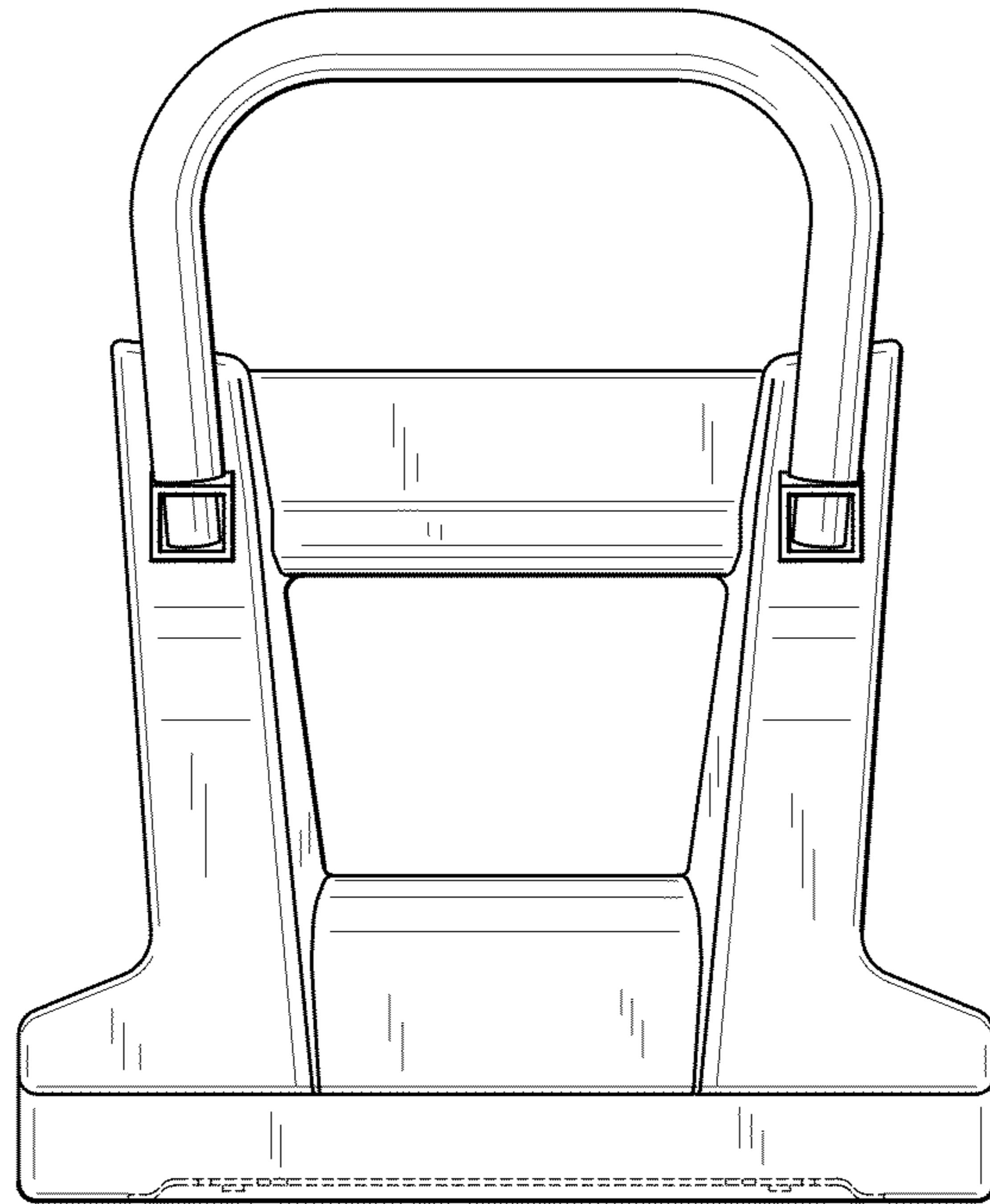


FIG. 5

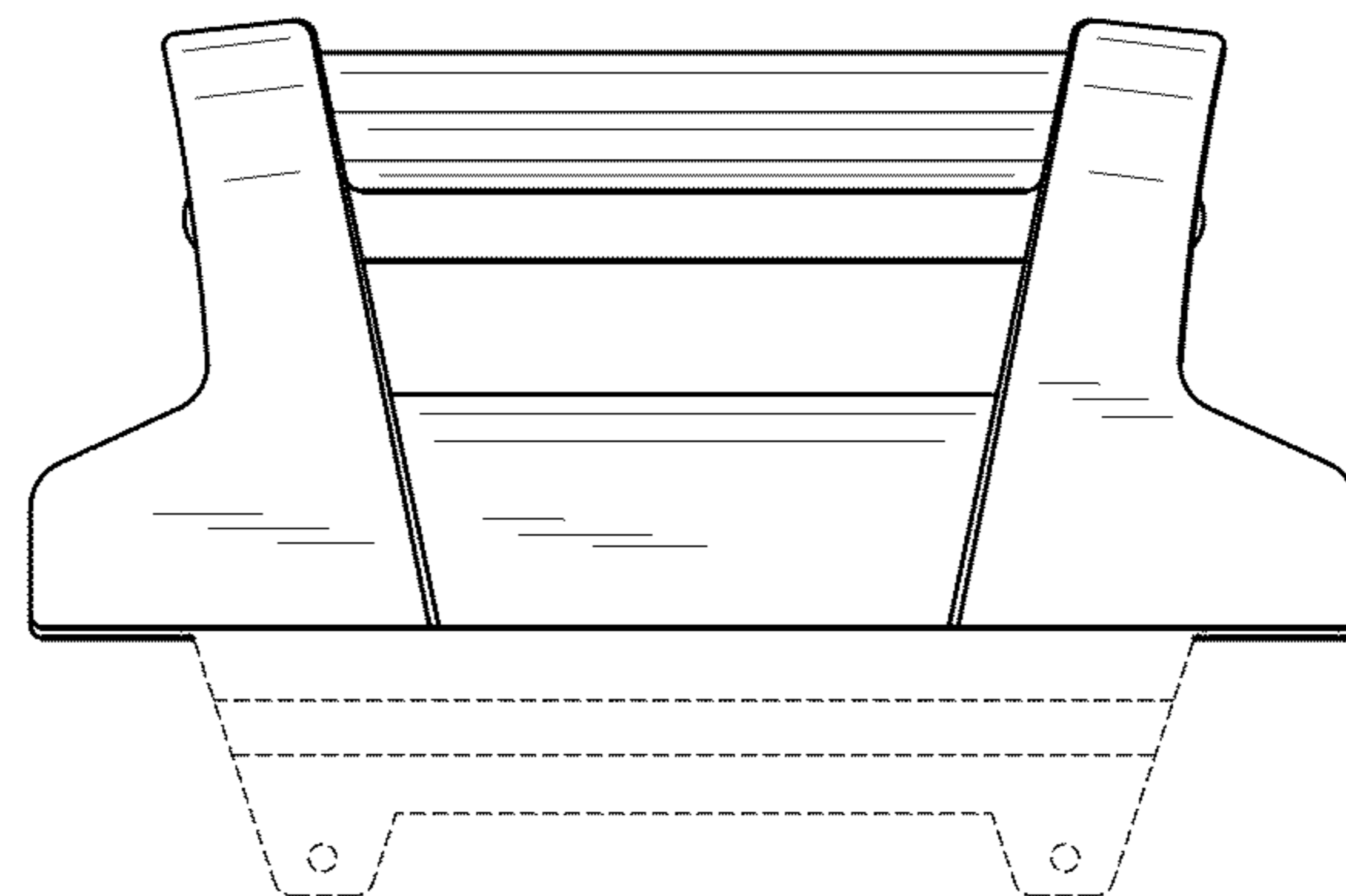


FIG. 6