



US00D724502S

(12) **United States Design Patent**
Bollmann

(10) **Patent No.:** **US D724,502 S**
(45) **Date of Patent:** **** Mar. 17, 2015**

(54) **BAG FOR PUSHCHAIRS**

(71) Applicant: **Grace Guy Bollmann**, Munich (DE)

(72) Inventor: **Grace Guy Bollmann**, Munich (DE)

(**) Term: **14 Years**

(21) Appl. No.: **29/436,804**

(22) Filed: **Nov. 9, 2012**

(30) **Foreign Application Priority Data**

May 9, 2012	(EM)	002039453-0001
May 9, 2012	(EM)	002039453-0002
May 9, 2012	(EM)	002039453-0003
May 9, 2012	(EM)	002039453-0004
May 9, 2012	(EM)	002039453-0005

(51) **LOC (10) Cl.** **12-12**

(52) **U.S. Cl.**
USPC **D12/133**

(58) **Field of Classification Search**
USPC D12/128-133, 416; 280/62, 647-650,
280/29, 200, 47.38, 250.1, 259, 642, 658,
280/304.1; 128/99.1, 100.1; D3/299-303,
D3/273, 11; 297/219.1, 380; 224/153;
220/9.1, 904

See application file for complete search history.

(56) **References Cited**

U.S. PATENT DOCUMENTS

475,174	A	*	5/1892	Barbour	224/432
D296,092	S	*	6/1988	Dzeskewicz	D12/133
D298,307	S	*	11/1988	Balter et al.	D12/133
4,861,059	A	*	8/1989	Shirk	280/304.1
D595,051	S	*	6/2009	Namey	D3/232
D656,071	S	*	3/2012	Treon	D12/133

OTHER PUBLICATIONS

Hamster® buggy bags, Hamster buggy pannier bags pushchair accessory, website page <http://www.hamsterbags.co.uk>, printed Feb. 7, 2013, 1 page.

* cited by examiner

Primary Examiner — Ian Simmons
Assistant Examiner — Charles Hanson
(74) *Attorney, Agent, or Firm* — Nixon & Vanderhye P.C.

(57) **CLAIM**
The ornamental design for a bag for pushchairs as shown, and described.

DESCRIPTION

FIG. 1 is a front view of a bag for pushchairs according to my new ornamental design;
FIG. 2 is a rear view thereof;
FIG. 3 is a top view thereof;
FIG. 4 is a bottom view thereof;
FIG. 5 is a left side view thereof;
FIG. 6 is a right side view thereof; and,
FIG. 7 is a front, left side perspective view thereof.

1 Claim, 5 Drawing Sheets

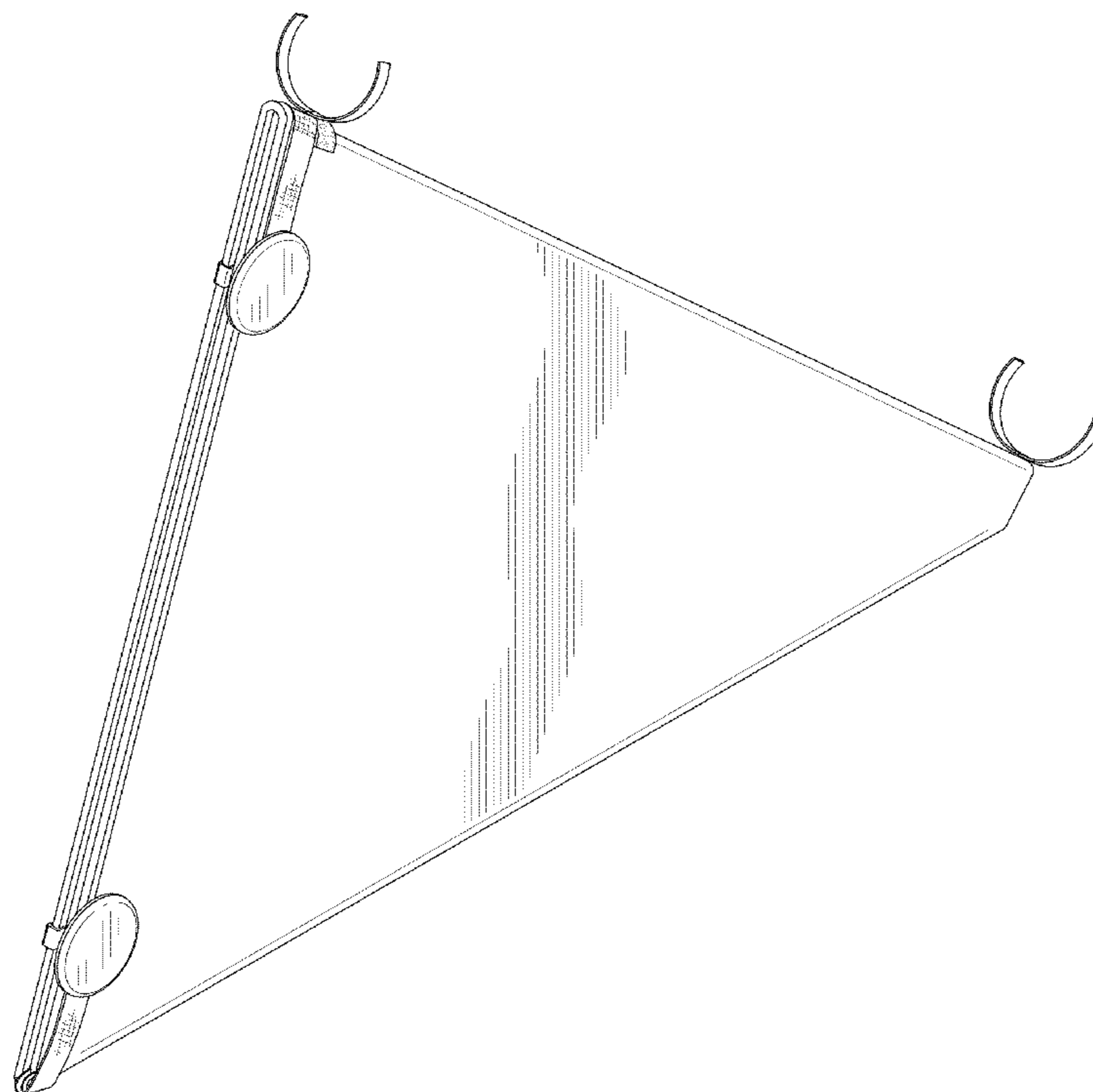
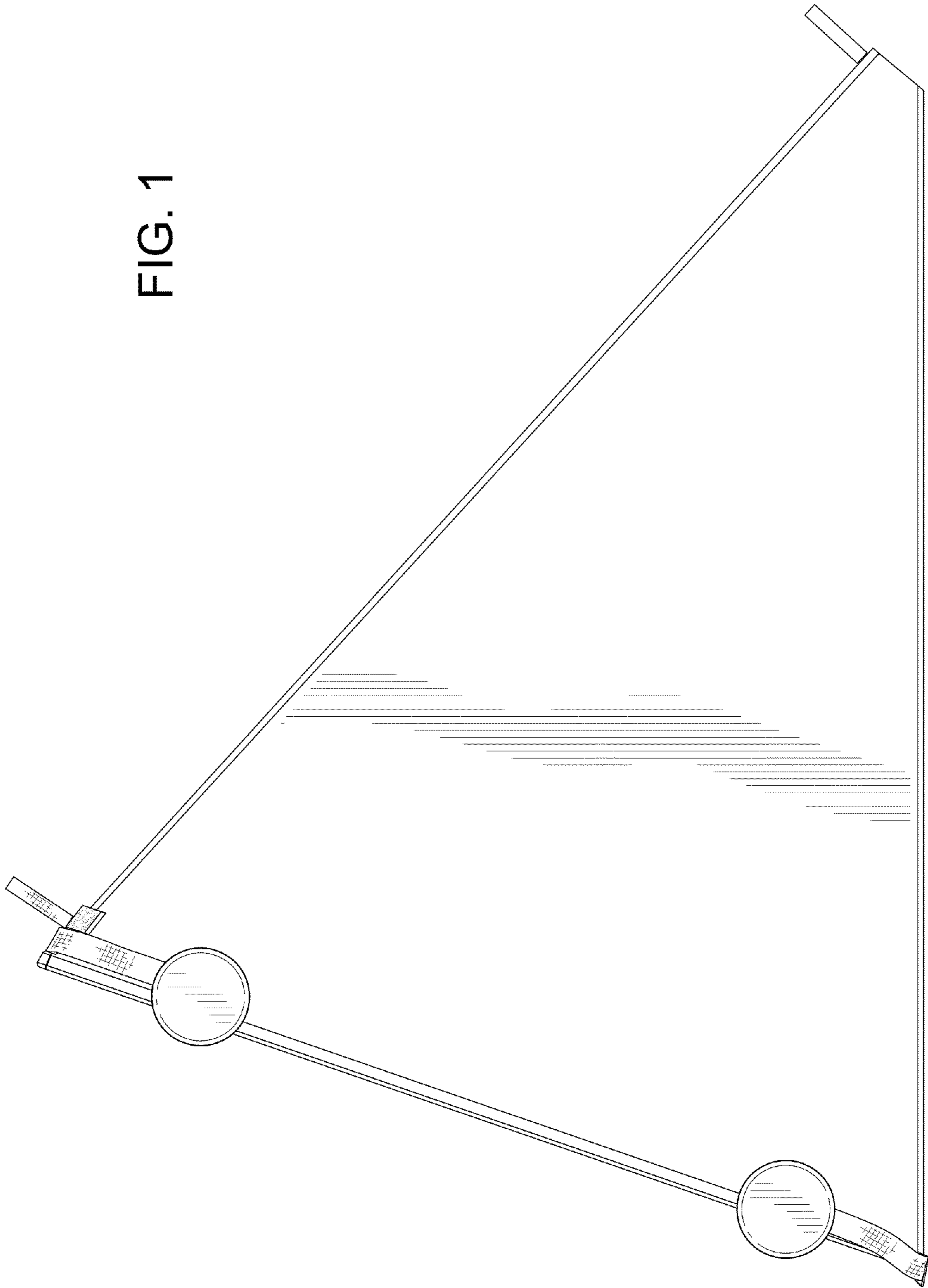


FIG. 1



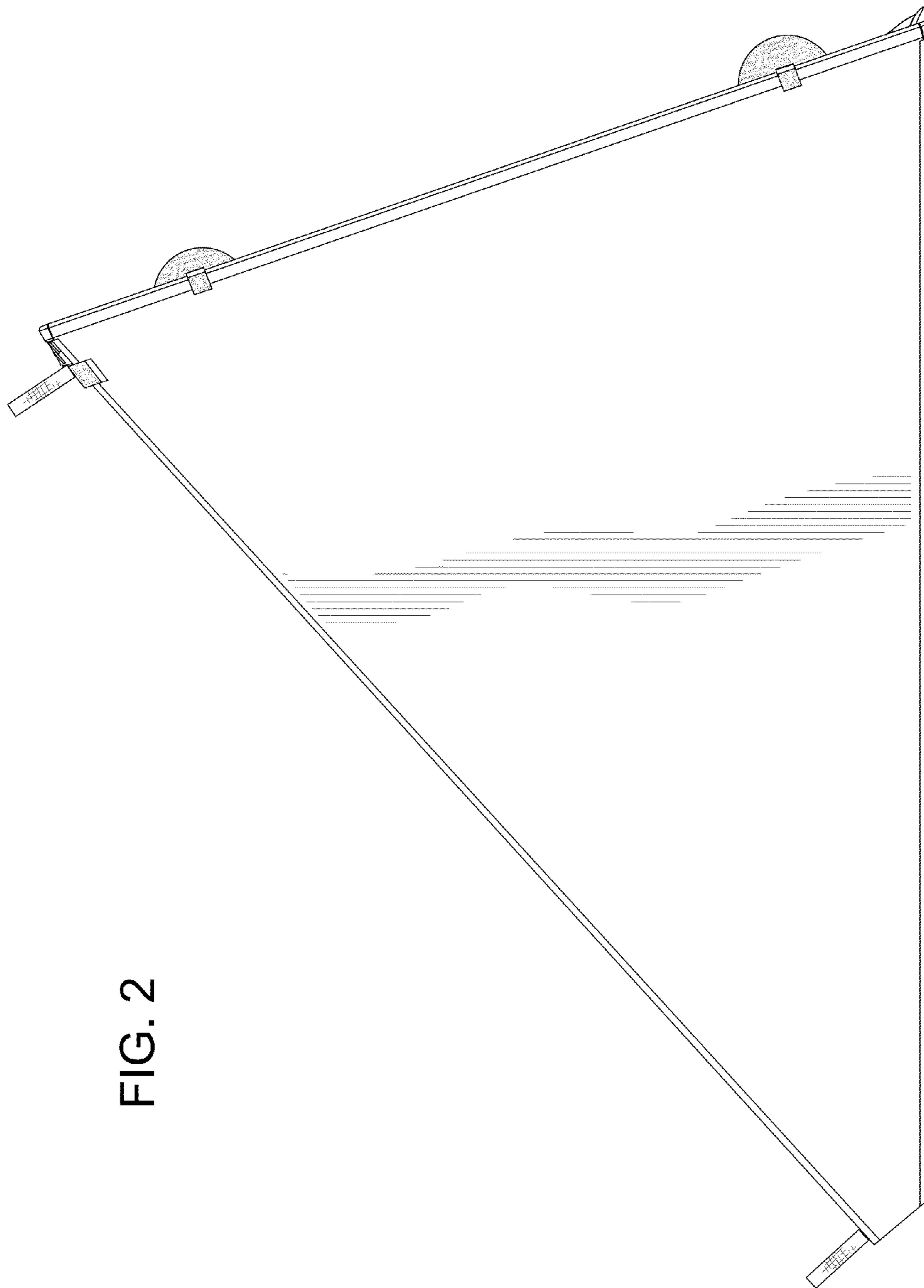


FIG. 2

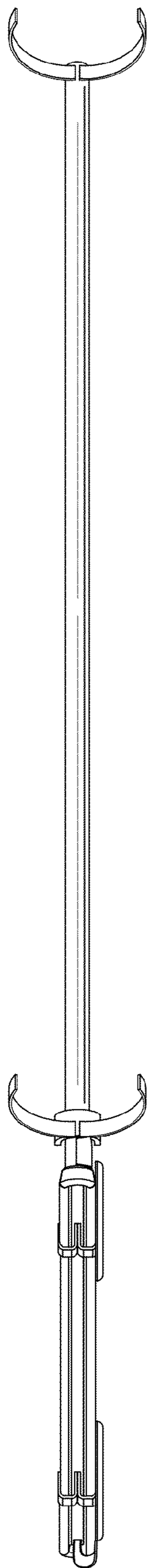


FIG. 3

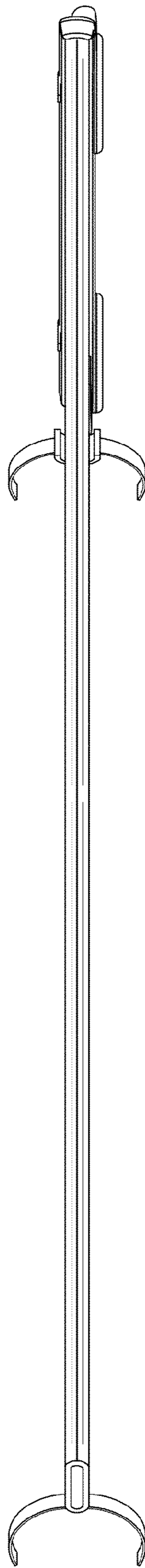


FIG. 4

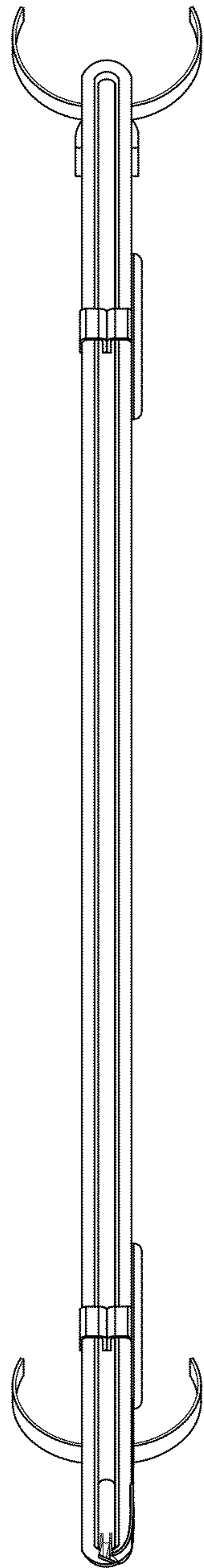


FIG. 5

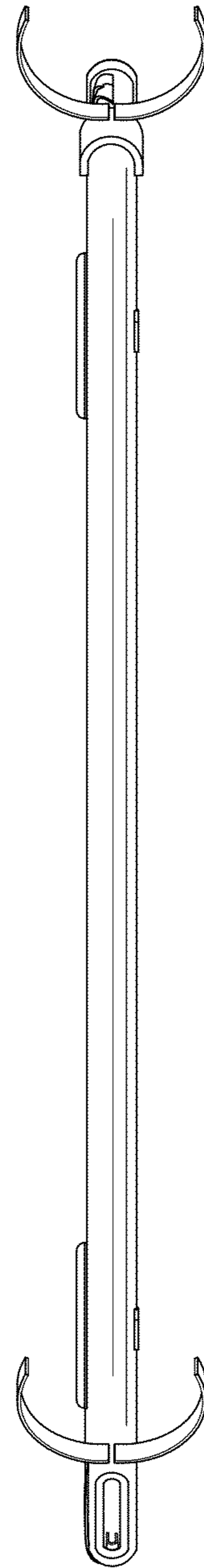


FIG. 6

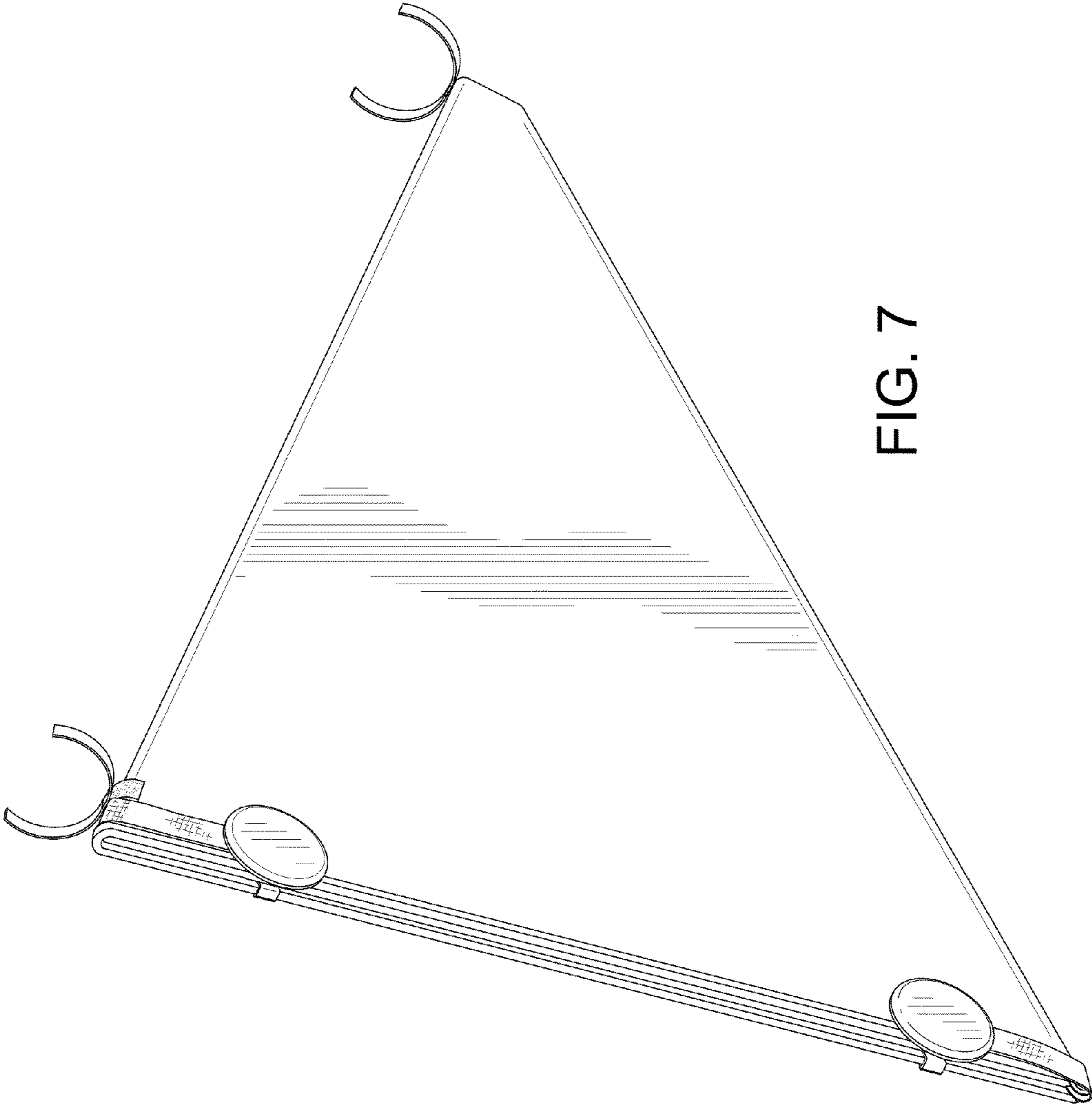


FIG. 7