



US00D724501S

(12) **United States Design Patent**  
**Reinius et al.**

(10) **Patent No.:** **US D724,501 S**  
(45) **Date of Patent:** **\*\* Mar. 17, 2015**

(54) **CHILD'S STROLLER**

(71) Applicant: **Thule IP AB**, Malmo (SE)

(72) Inventors: **Pelle Reinius**, Stockholm (SE); **Martin Birath**, Lidingö (SE); **Oskar Juhlin**, Gustavsberg (SE)

(73) Assignee: **Thule IP AB**, Malmo (SE)

(\*\*) Term: **14 Years**

(21) Appl. No.: **29/479,638**

(22) Filed: **Jan. 17, 2014**

(51) **LOC (10) Cl.** ..... **12-12**

(52) **U.S. Cl.**  
USPC ..... **D12/129**

(58) **Field of Classification Search**  
USPC ..... D12/128-133; 280/62, 647-650, 29,  
280/200, 47.38, 250.1, 259, 642, 658,  
280/304.1; 128/99.1, 100.1  
See application file for complete search history.

(56) **References Cited**

**U.S. PATENT DOCUMENTS**

D371,094 S *	6/1996	Hinkston	.....	D12/129
D408,768 S *	4/1999	Baechler et al.	.....	D12/133
D442,895 S *	5/2001	Chiu	.....	D12/129
D452,195 S *	12/2001	Baechler	.....	D12/129
D475,951 S *	6/2003	Everett	.....	D12/129

D481,976 S *	11/2003	Everett	.....	D12/129
6,671,926 B2 *	1/2004	Huang	.....	16/35 R
D498,713 S *	11/2004	Chou	.....	D12/129
D498,714 S *	11/2004	Chou	.....	D12/129
6,893,040 B2 *	5/2005	Hou et al.	.....	280/642
D519,063 S *	4/2006	Chang	.....	D12/129
D622,640 S *	8/2010	Gower et al.	.....	D12/129
D687,352 S *	8/2013	Shellenberger et al.	.....	D12/129

\* cited by examiner

*Primary Examiner* — Ian Simmons

*Assistant Examiner* — Charles Hanson

(74) *Attorney, Agent, or Firm* — Novak Druce Connolly Bove + Quigg LLP

(57) **CLAIM**

We claim the ornamental design for a child's stroller, as shown and described.

**DESCRIPTION**

FIG. 1 is a perspective view of a first embodiment of a child's stroller;

FIG. 2 is a front elevational view thereof;

FIG. 3 is a rear elevational view thereof;

FIG. 4 is a left side elevational view thereof;

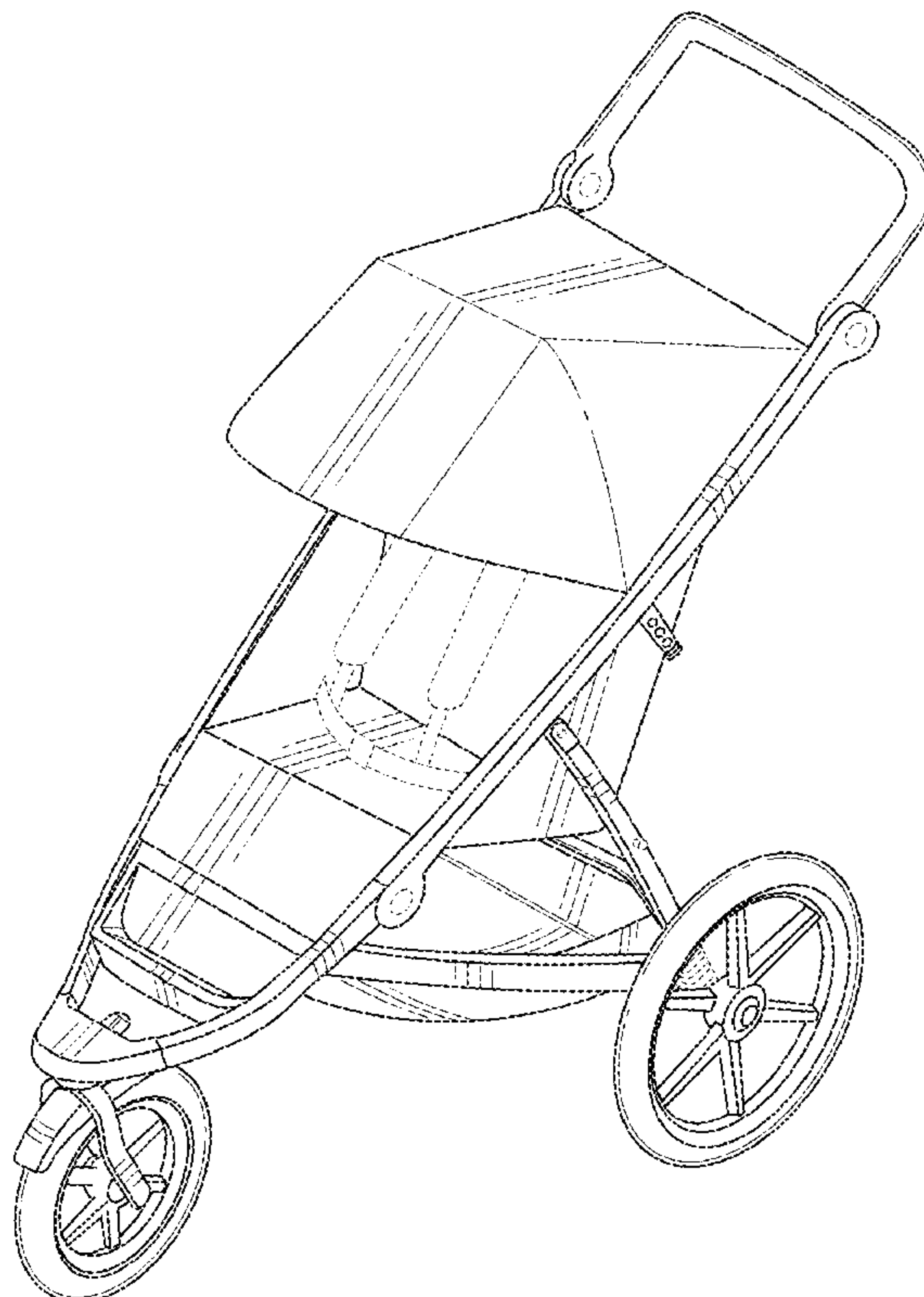
FIG. 5 is a right side elevational view thereof;

FIG. 6 is a top plan view thereof; and,

FIG. 7 is a bottom plan view thereof.

The broken line showing is included for the purpose of illustrating environment and forms no part of the claimed design.

**1 Claim, 7 Drawing Sheets**



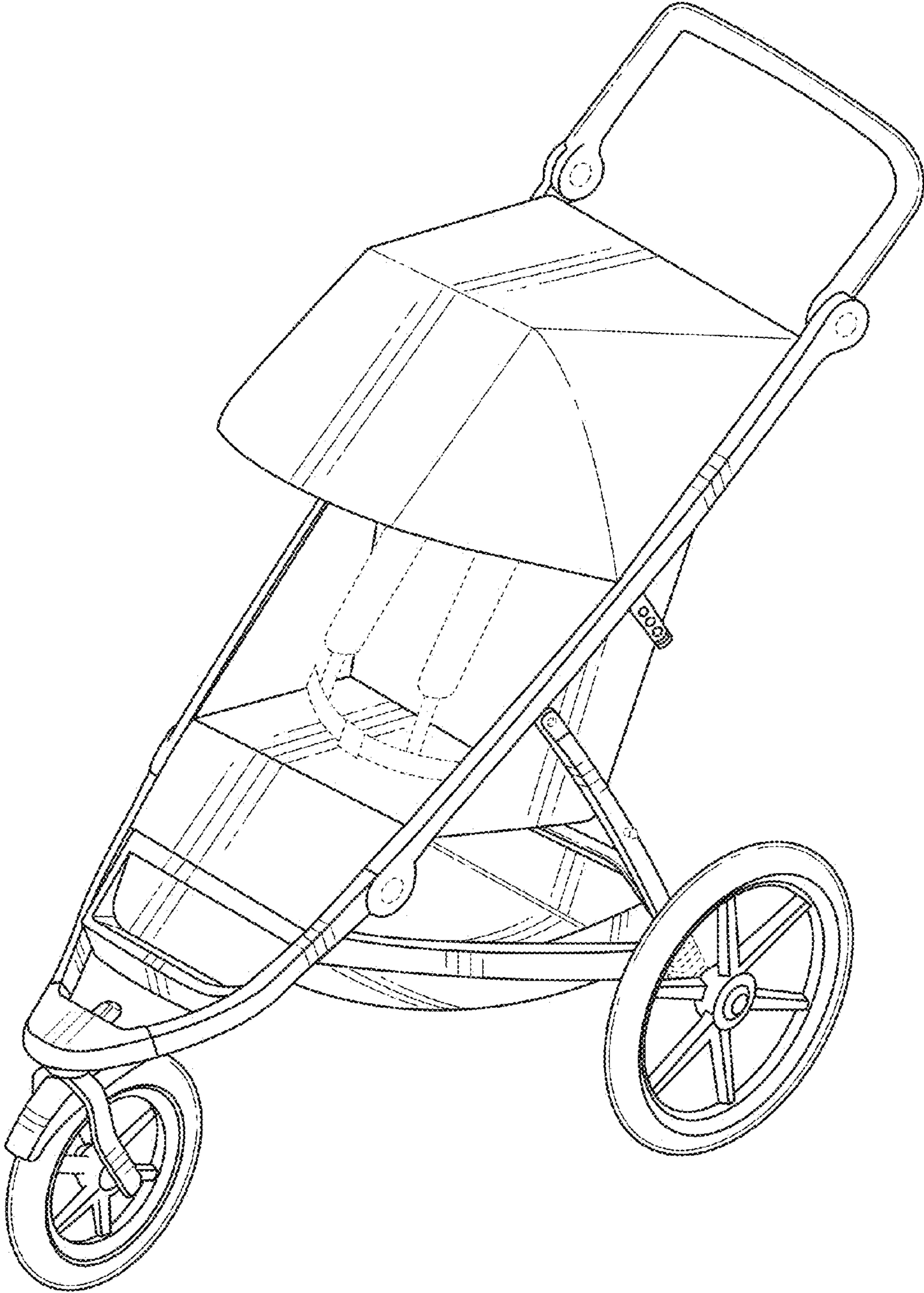


FIG. 1

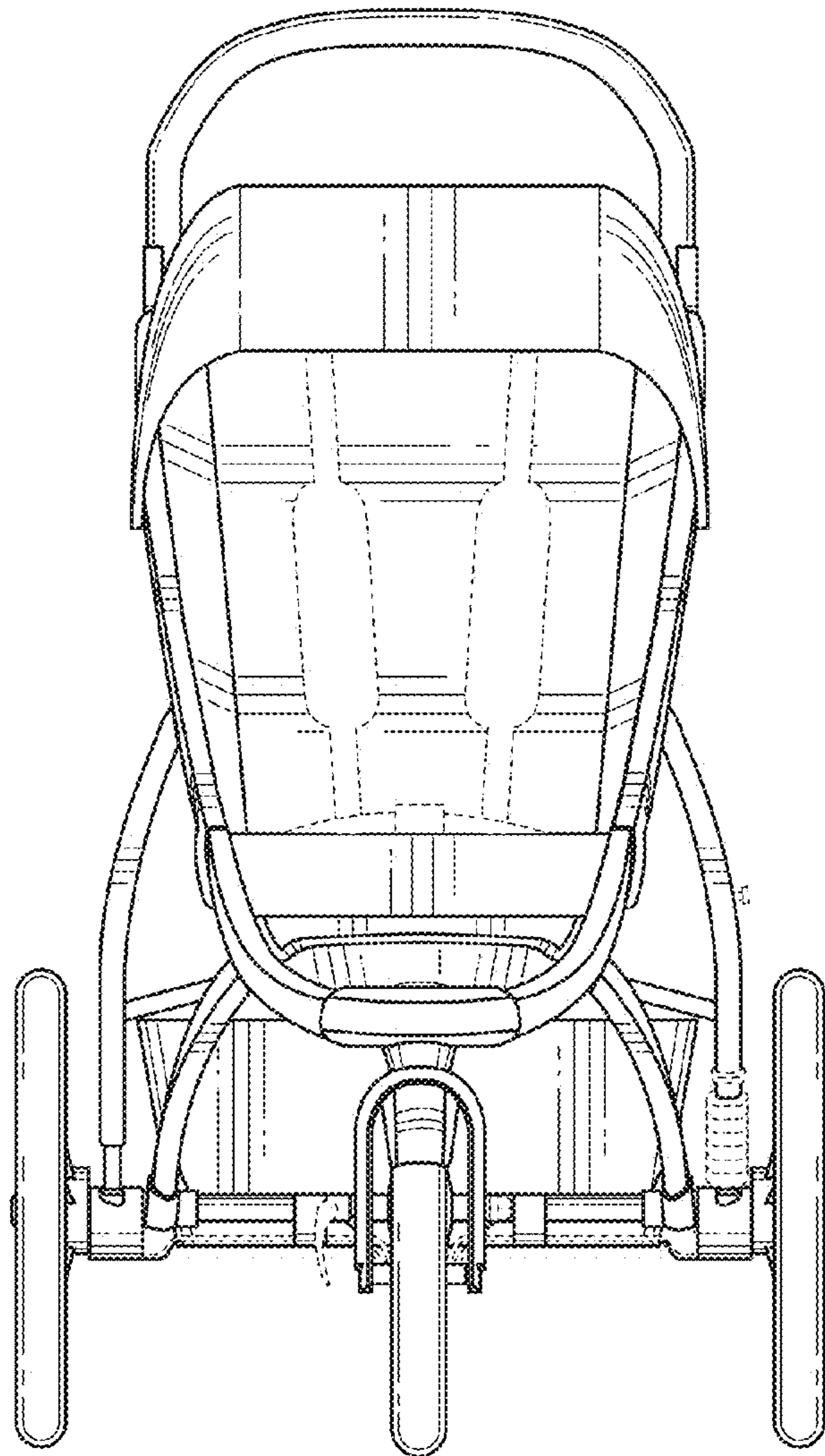


FIG. 2

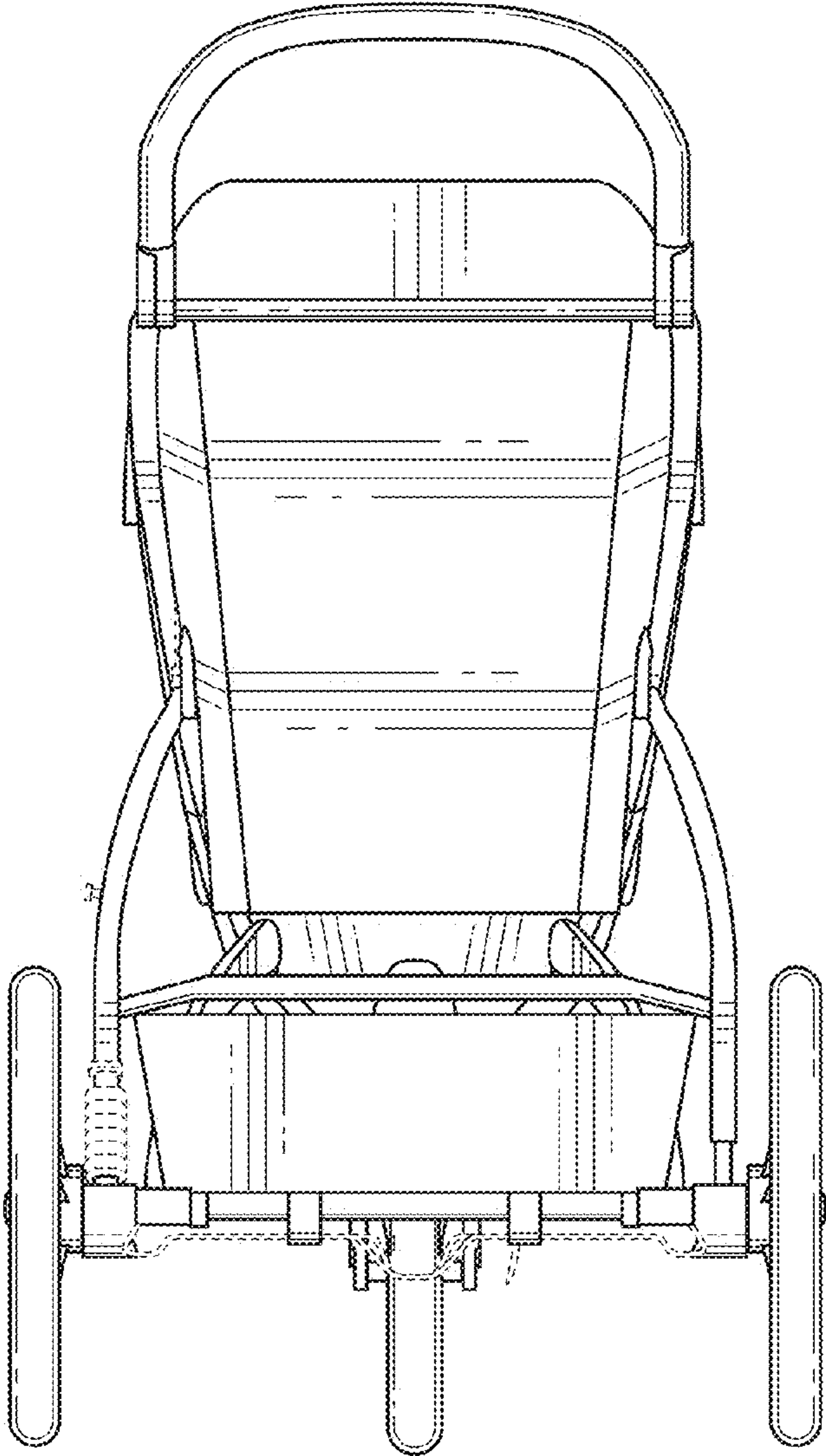


FIG. 3



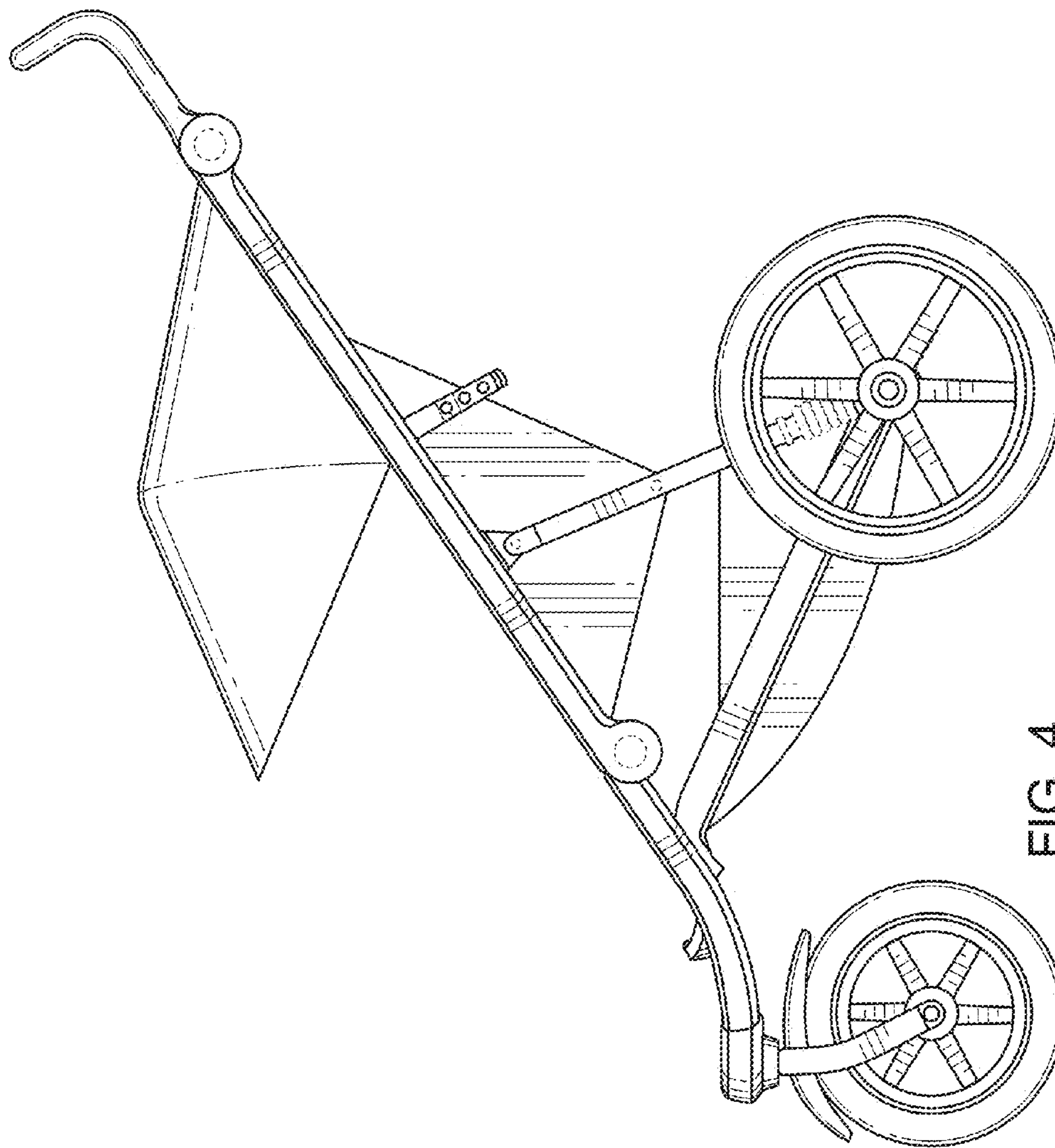


FIG. 4

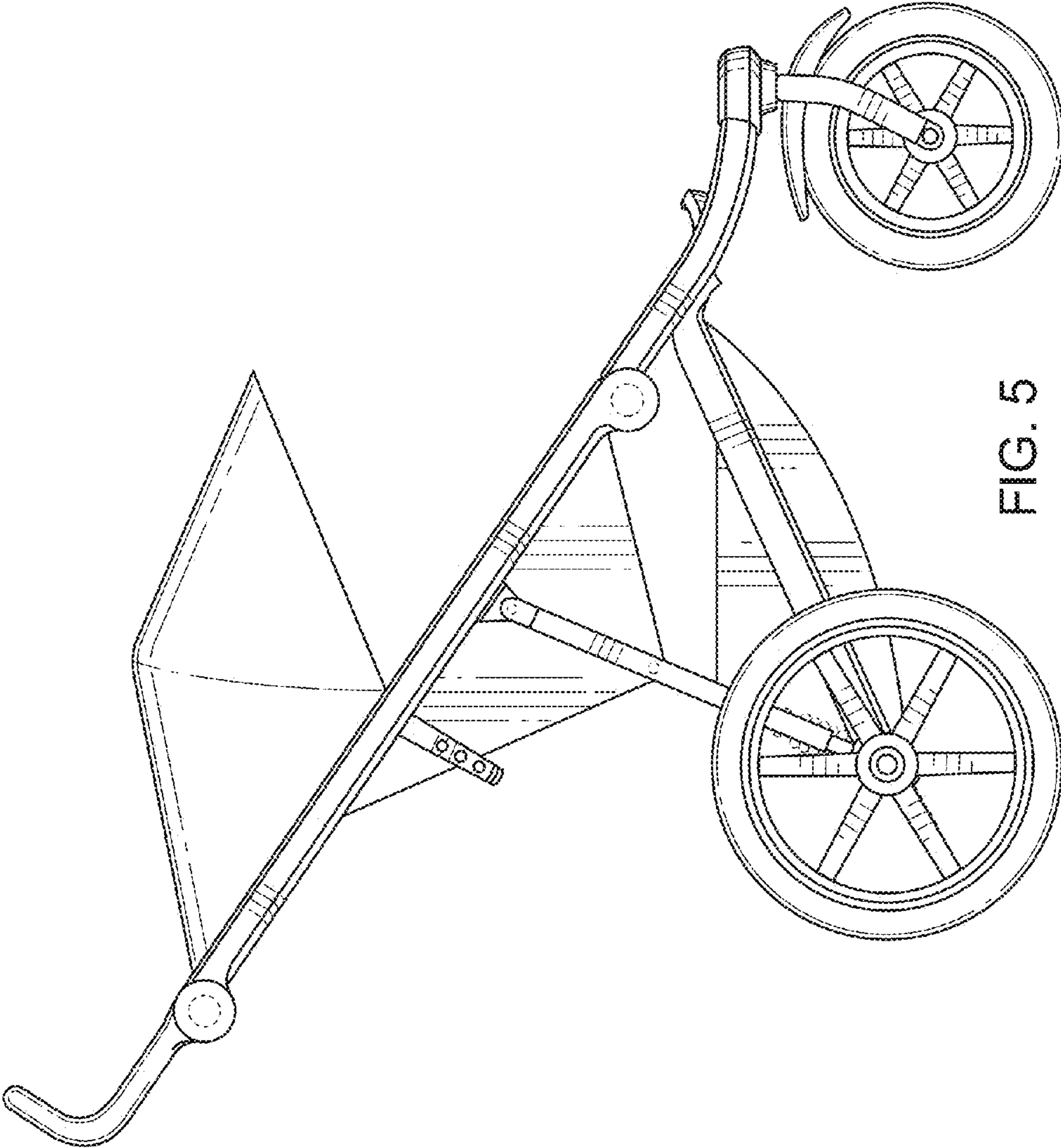


FIG. 5

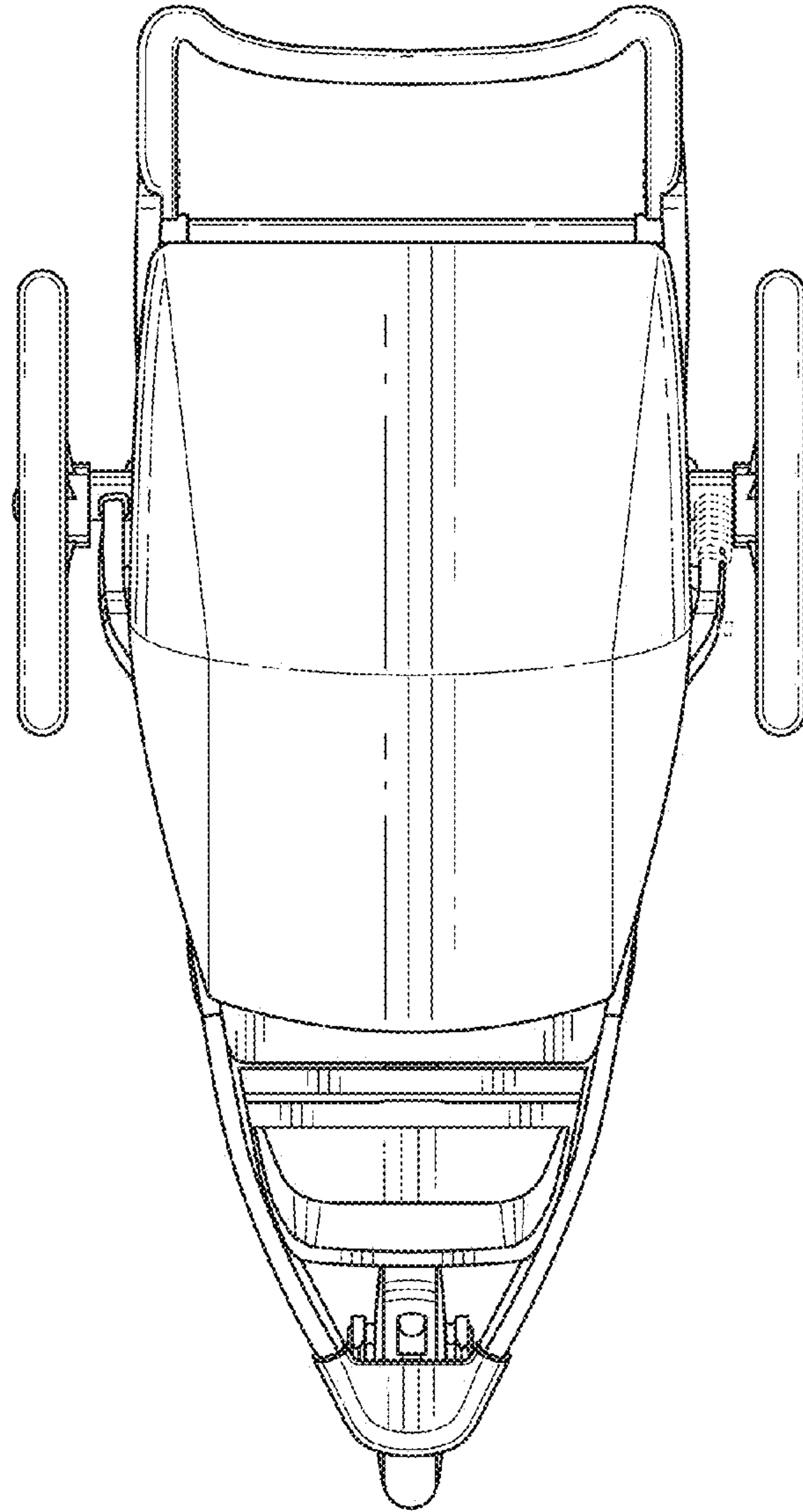


FIG. 6

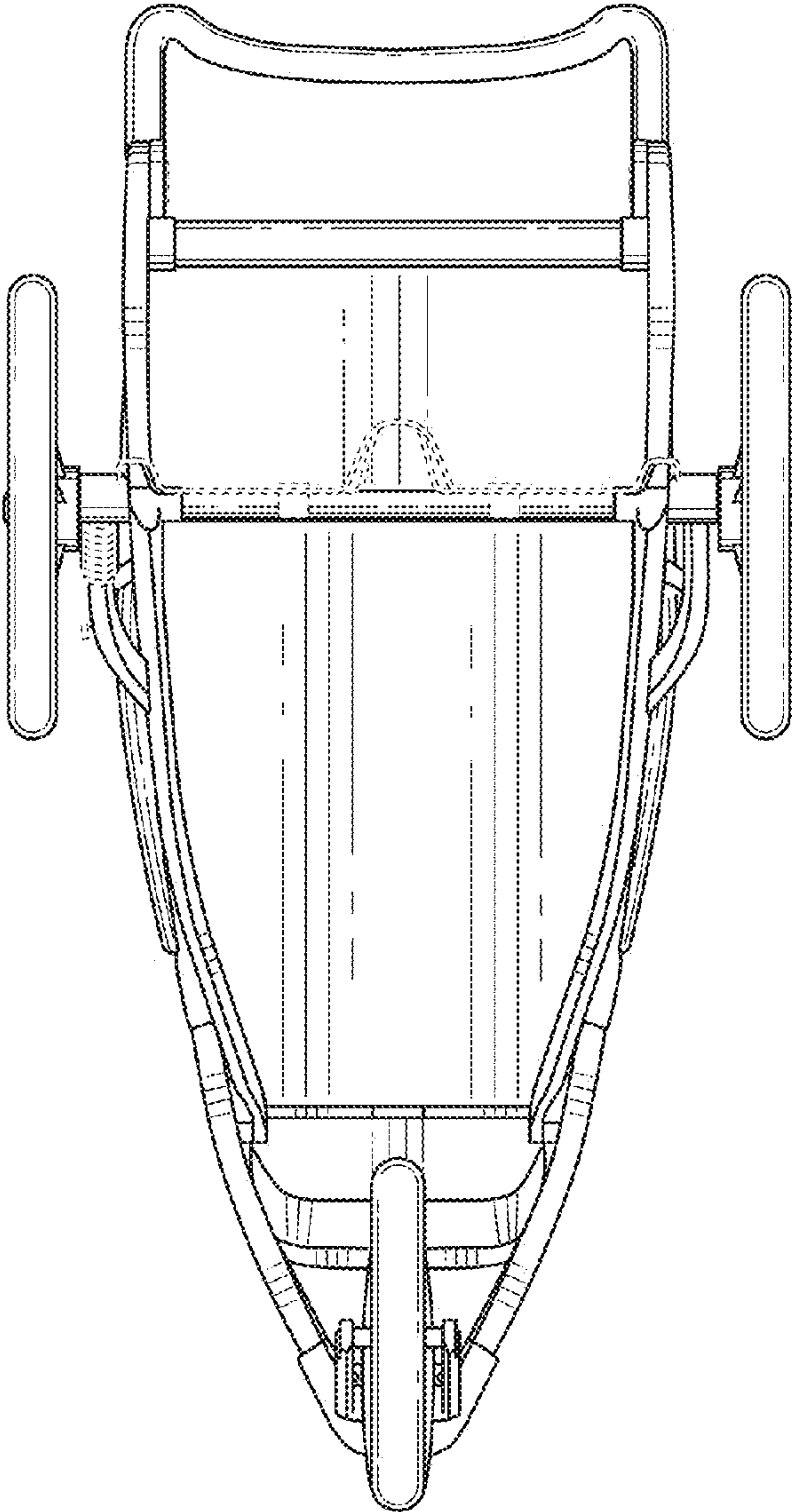


FIG. 7