



US00D724500S

(12) **United States Design Patent**
Seibert

(10) **Patent No.:** **US D724,500 S**
(45) **Date of Patent:** **** Mar. 17, 2015**

(54) **STROLLER**

(71) Applicant: **Carl Seibert**, Alhambra, CA (US)

(72) Inventor: **Carl Seibert**, Alhambra, CA (US)

(**) Term: **14 Years**

(21) Appl. No.: **29/465,822**

(22) Filed: **Aug. 30, 2013**

(51) **LOC (10) Cl.** **12-12**

(52) **U.S. Cl.**
USPC **D12/129**

(58) **Field of Classification Search**
USPC D12/128-133; 280/62, 647-650, 29,
280/200, 47.38, 250.1, 259, 642, 658,
280/304.1; 128/99.1, 100.1
See application file for complete search history.

(56) **References Cited**

U.S. PATENT DOCUMENTS

D115,135 S	6/1939	Snyder	
D200,305 S *	2/1965	Bradow	D12/129
3,827,369 A	8/1974	Mueller	
4,225,147 A	9/1980	Lowery	
D301,850 S *	6/1989	Clement et al.	D12/129
D312,600 S	12/1990	Joseph	
D363,692 S *	10/1995	Landvreugd	D12/129
D369,992 S	5/1996	Baechler	
D369,994 S *	5/1996	Cho	D12/129
5,558,357 A	9/1996	Wang	
D381,297 S *	7/1997	Eyman et al.	D12/129
D399,458 S	10/1998	Ziegler	
D442,895 S	5/2001	Chiu	
D558,099 S	12/2007	Yang	
D614,541 S *	4/2010	Storm	D12/129

D615,461 S *	5/2010	Storm	D12/129
D622,640 S	8/2010	Gower	
D643,342 S *	8/2011	Ohnishi et al.	D12/129

* cited by examiner

Primary Examiner — Ian Simmons

Assistant Examiner — Charles Hanson

(74) *Attorney, Agent, or Firm* — QuickPatents; Kevin Prince

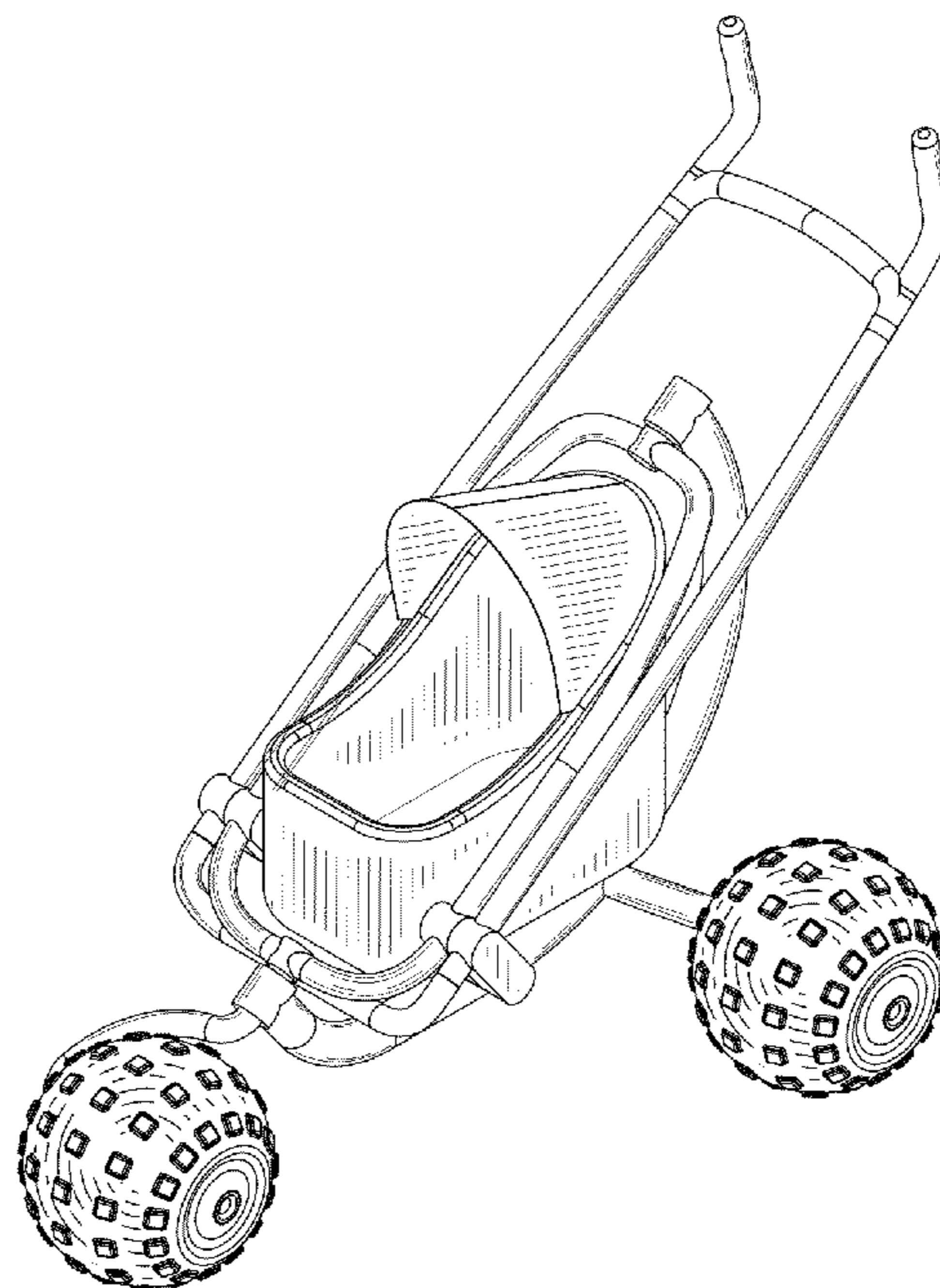
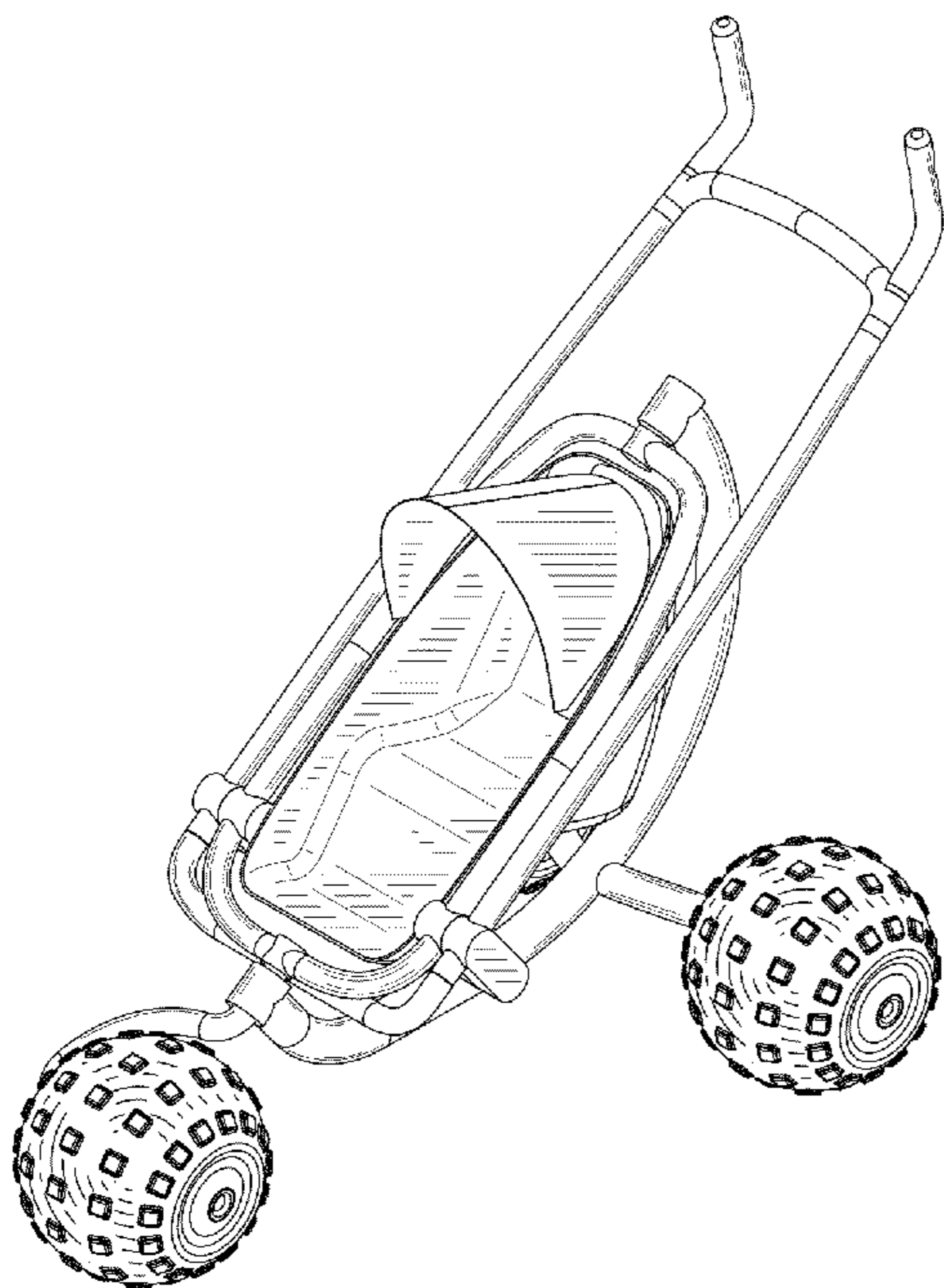
(57) **CLAIM**

I claim the ornamental design for a stroller, as shown and described.

DESCRIPTION

FIG. 1 is a perspective view of a stroller, showing a first embodiment of my new design in a straight position; FIG. 2 is a perspective view of the first embodiment, illustrated in a turned position; FIG. 3 is a front elevational view of FIG. 1; FIG. 4 is a rear elevational view of FIG. 1; FIG. 5 is a left-side elevational view of FIG. 1; FIG. 6 is a right-side elevational view of FIG. 1; FIG. 7 is a top plan view of FIG. 1; FIG. 8 is a bottom plan view of FIG. 1; FIG. 9 is a perspective view a second embodiment of my new design in the straight position; FIG. 10 is a perspective view of the second embodiment, illustrated in the turned position; FIG. 11 is a front elevational view of FIG. 9; FIG. 12 is a rear elevational view of FIG. 9; FIG. 13 is a left-side elevational view of FIG. 9; FIG. 14 is a right-side elevational view of FIG. 9; FIG. 15 is a top plan view of FIG. 9; and, FIG. 16 is a bottom plan view of FIG. 9.

1 Claim, 8 Drawing Sheets



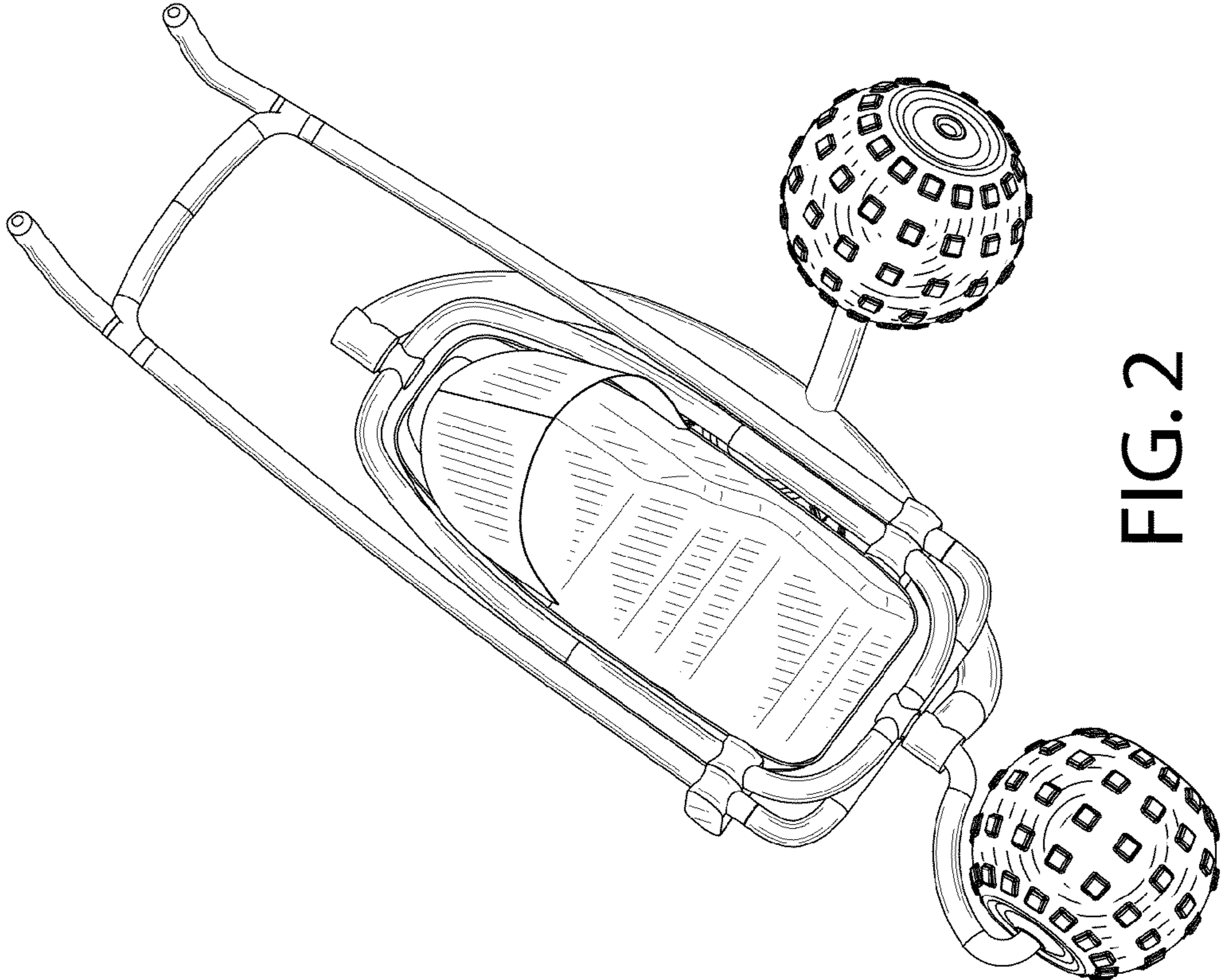


FIG. 2

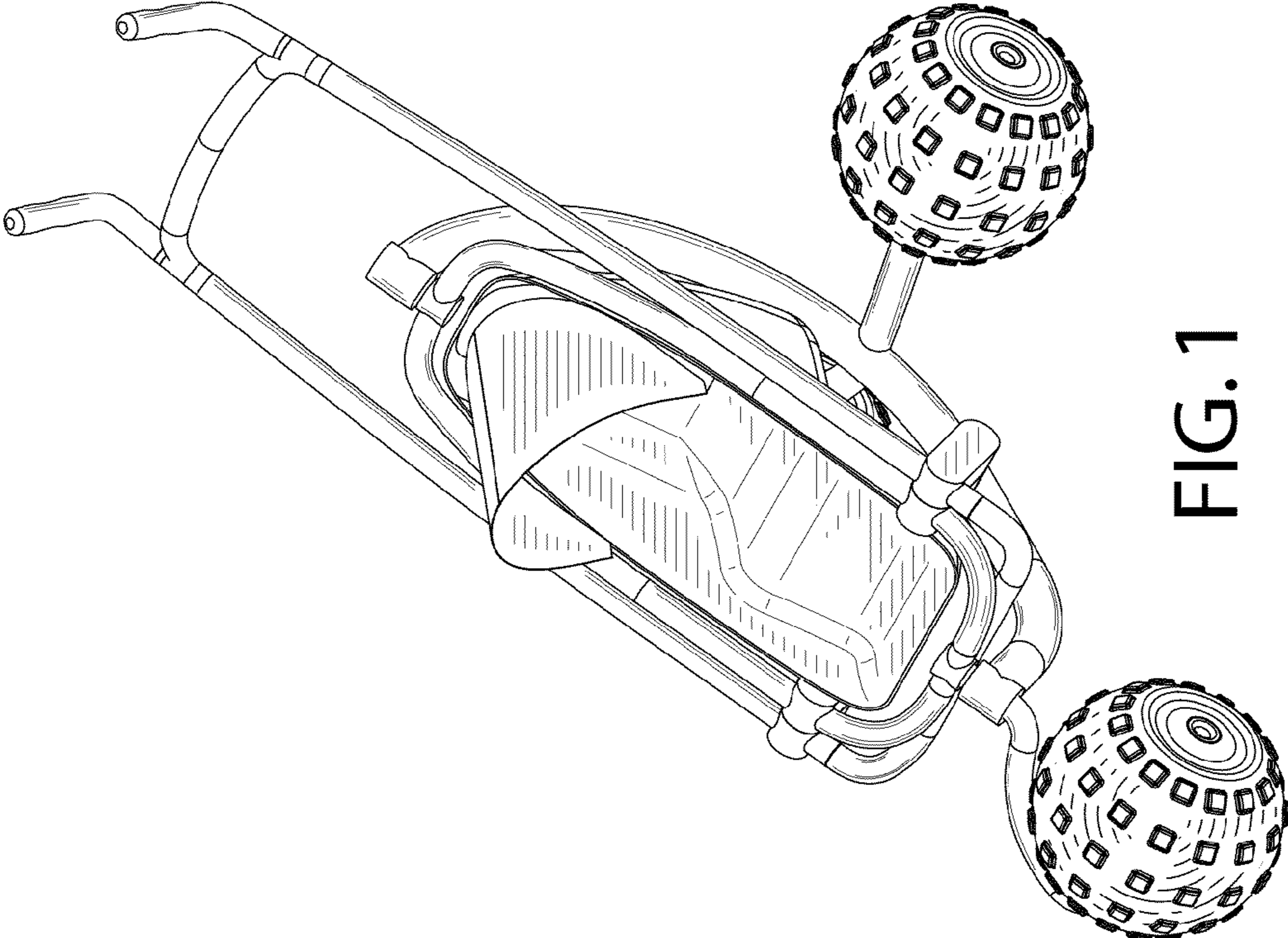


FIG. 1

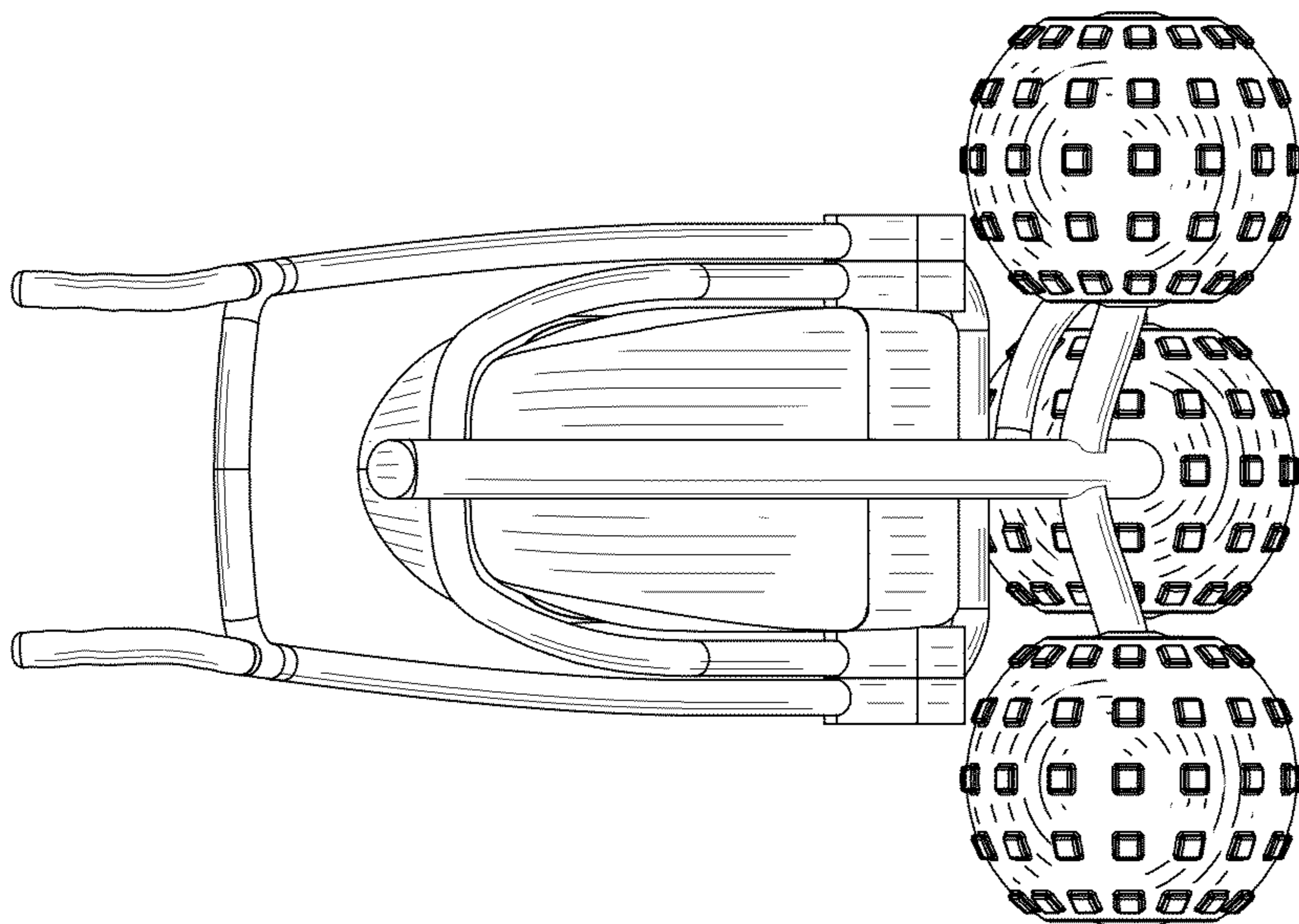


FIG. 4

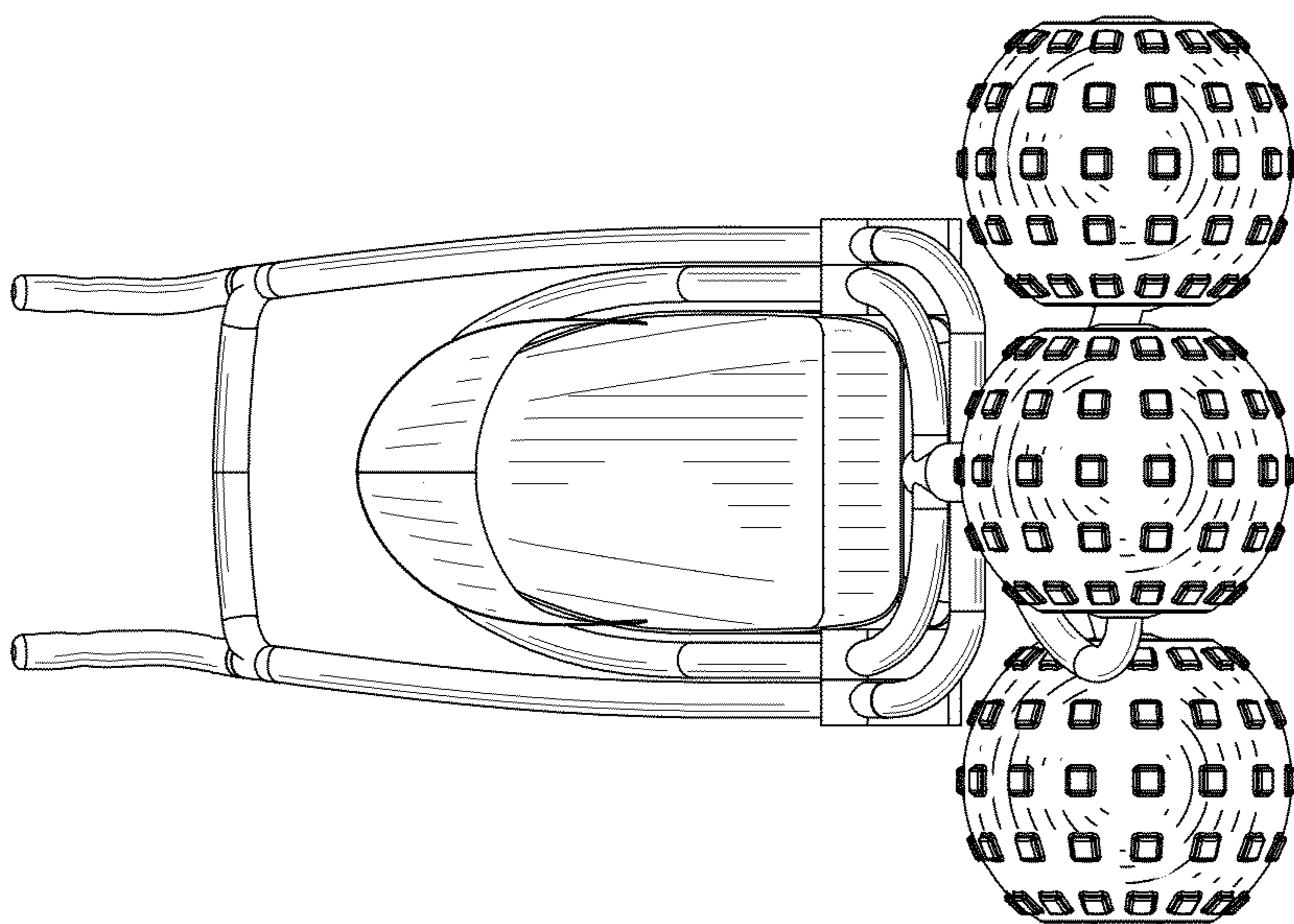


FIG. 3

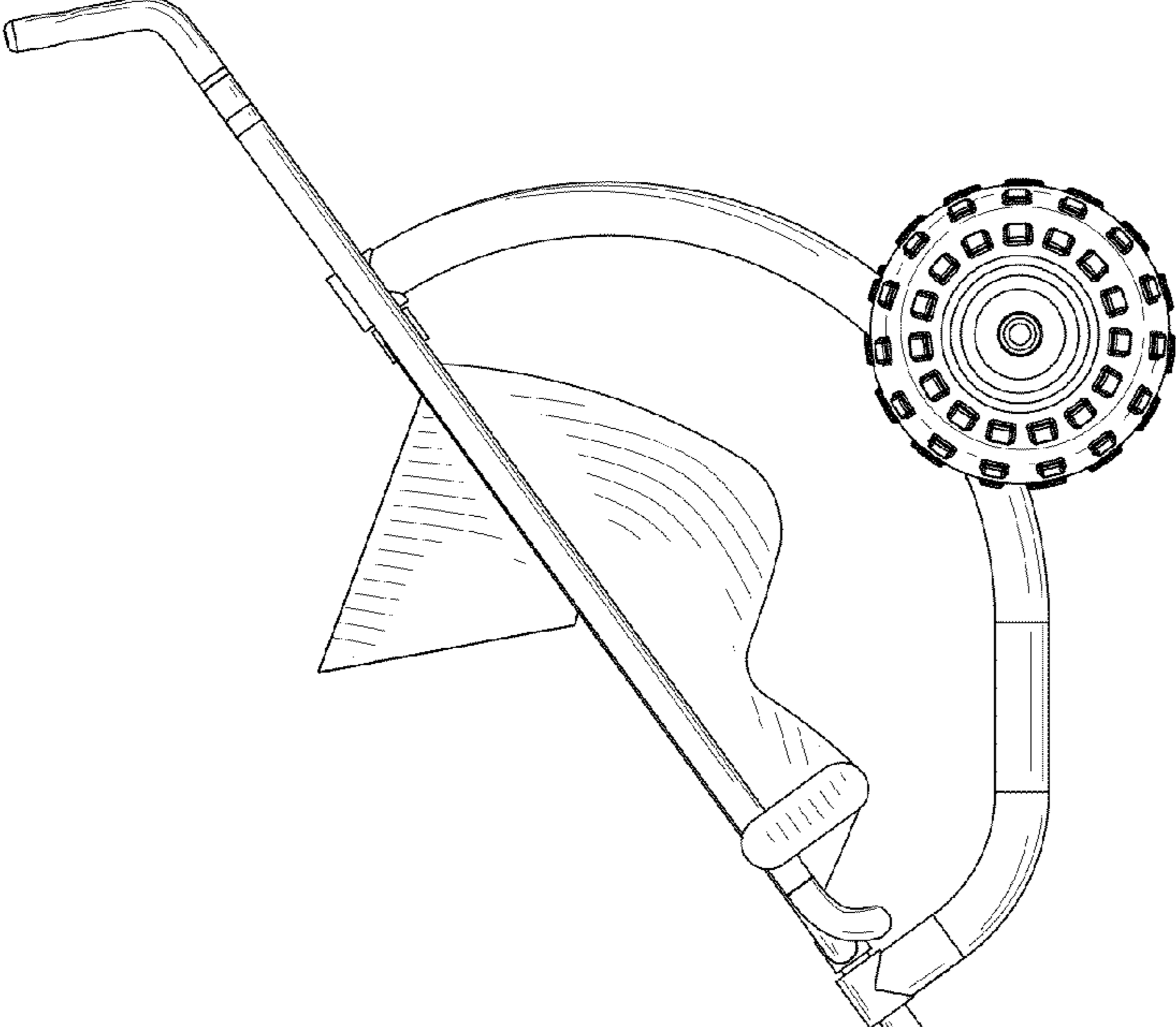


FIG. 6

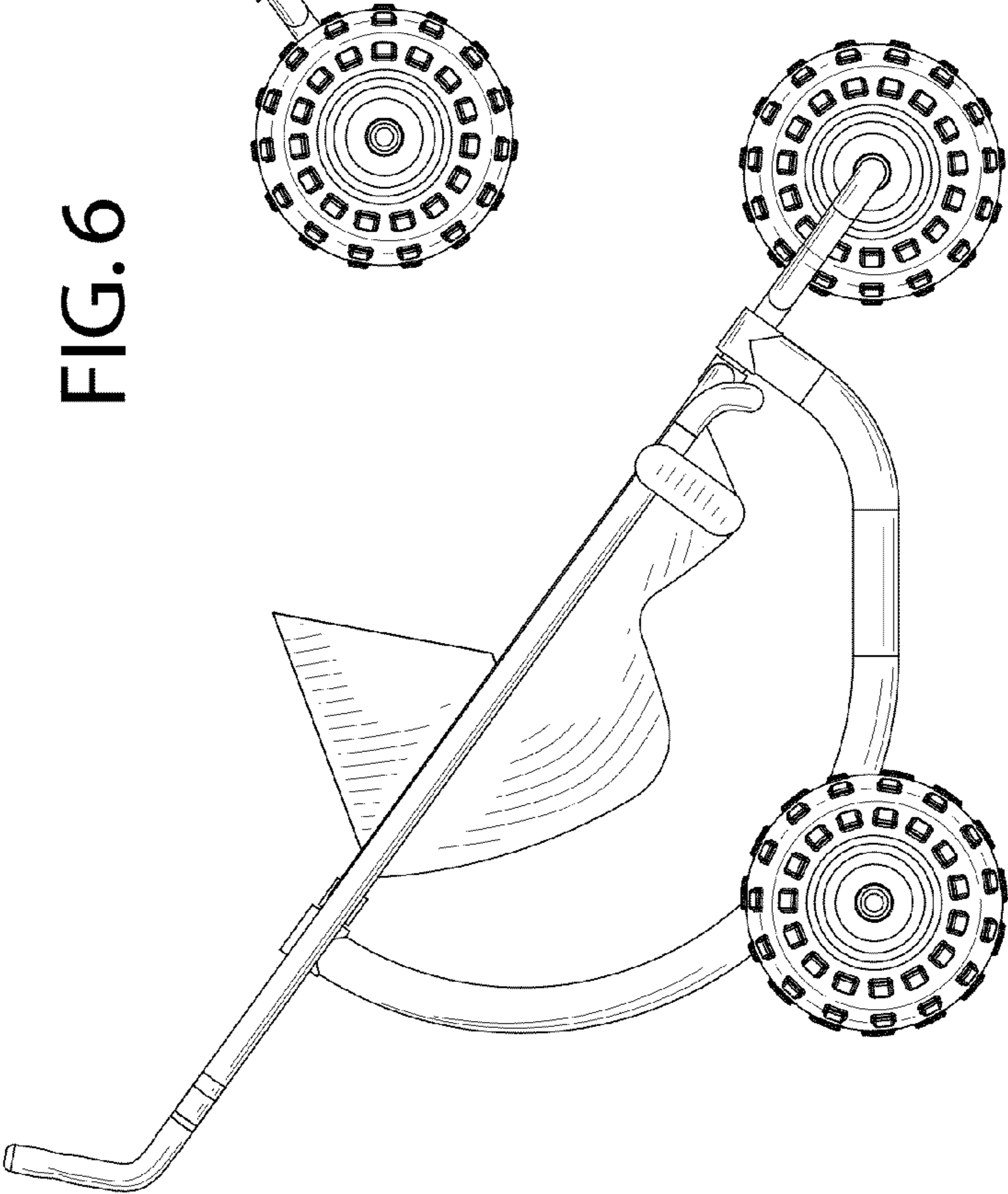


FIG. 5

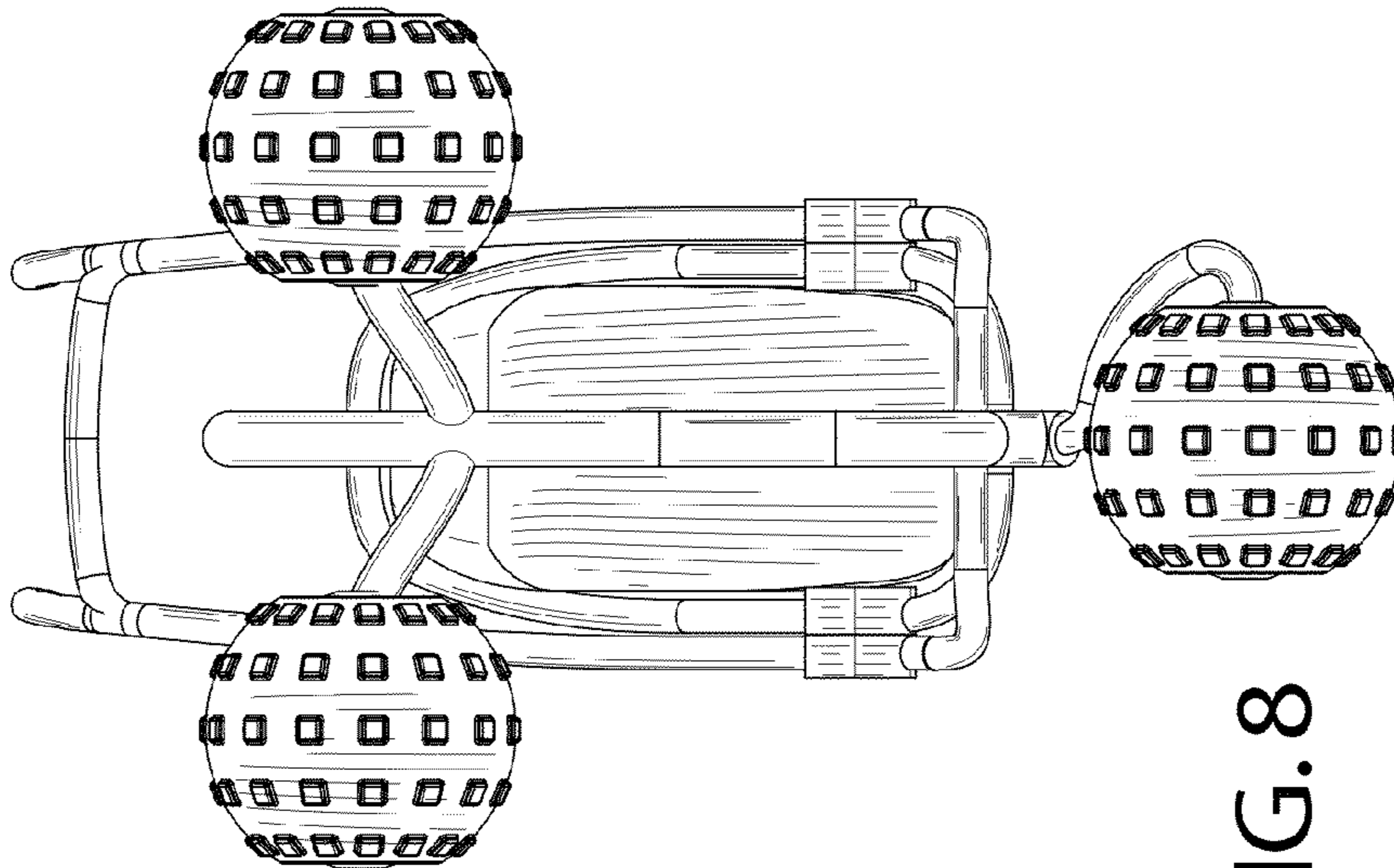


FIG. 8

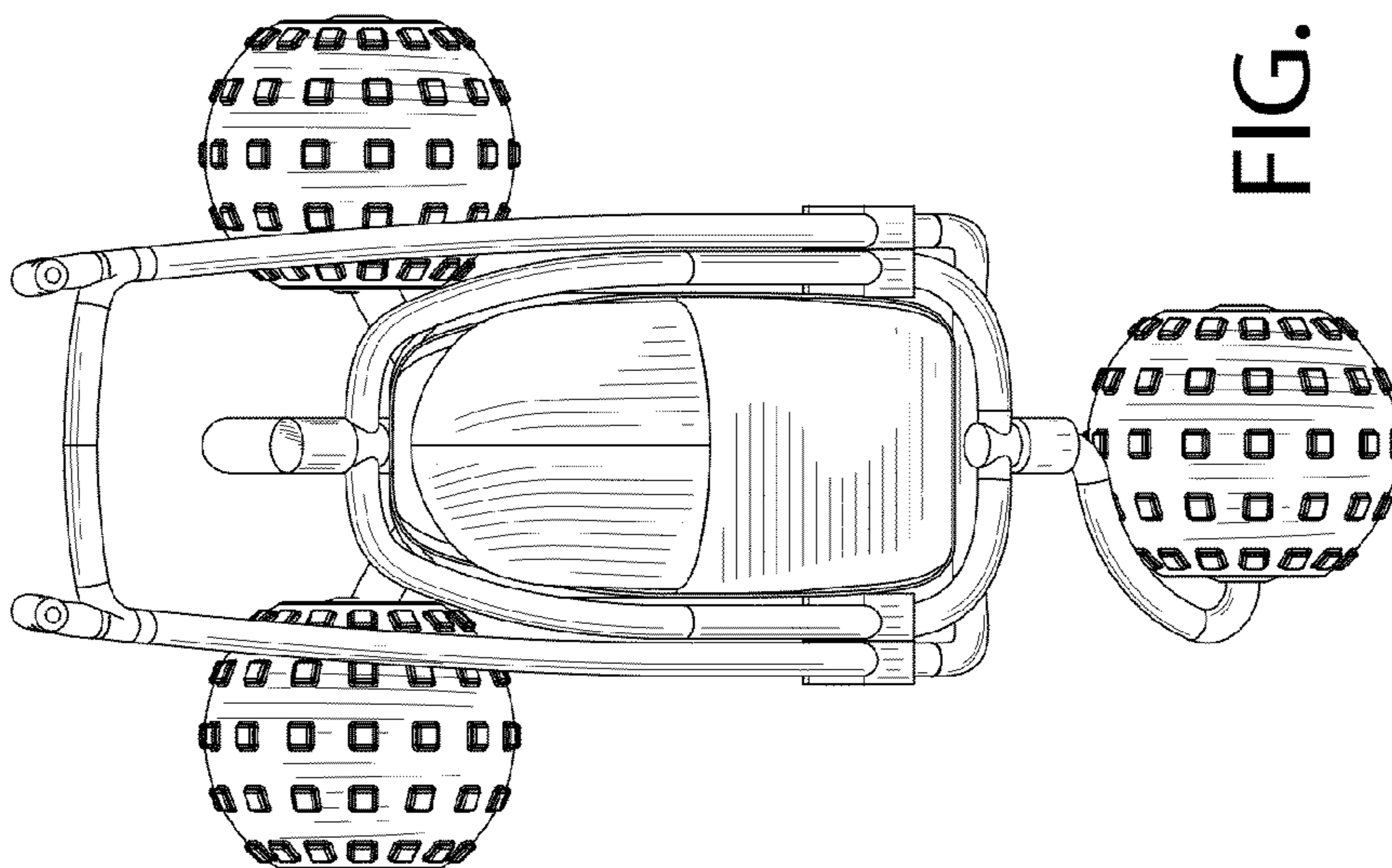


FIG. 7

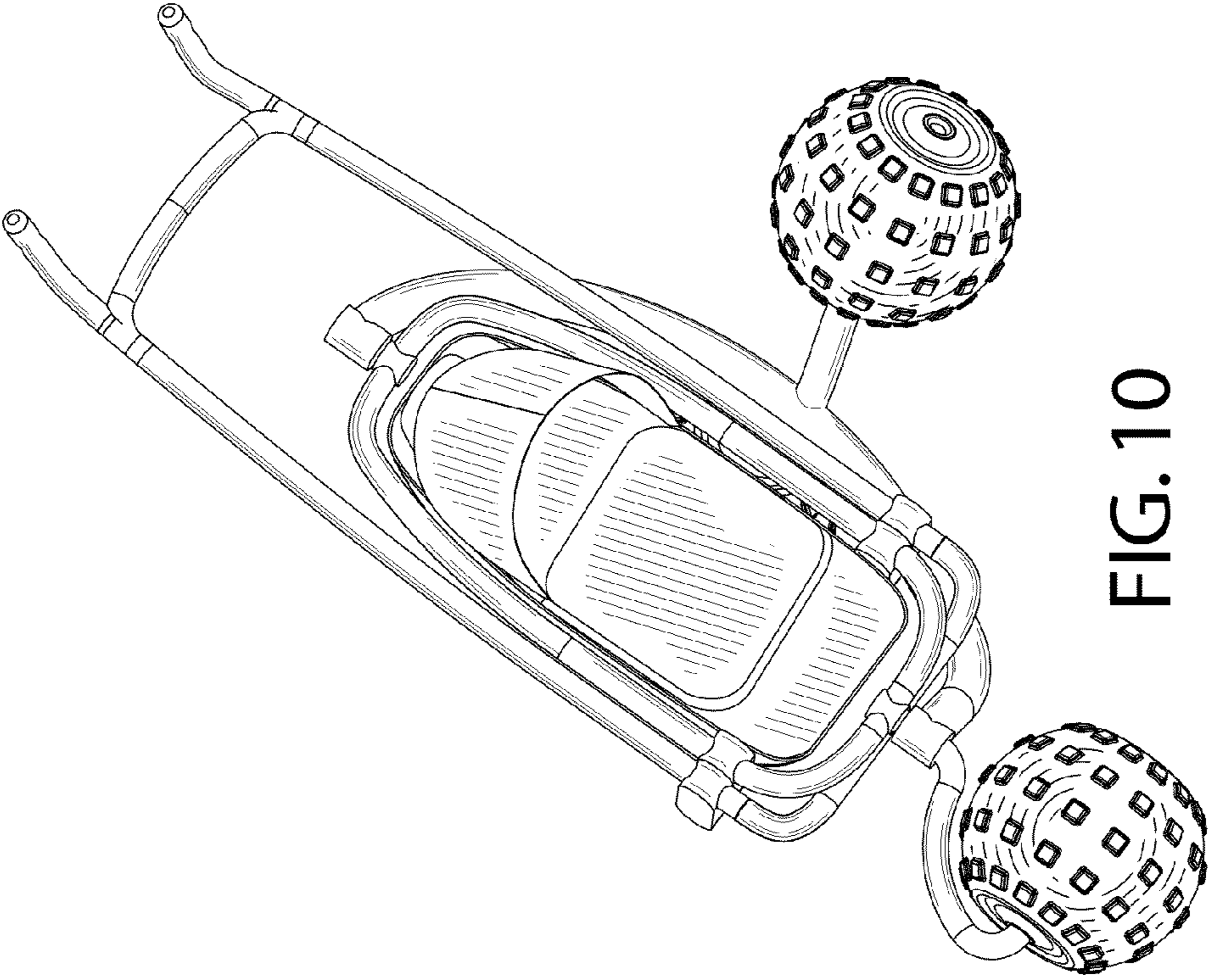


FIG. 10

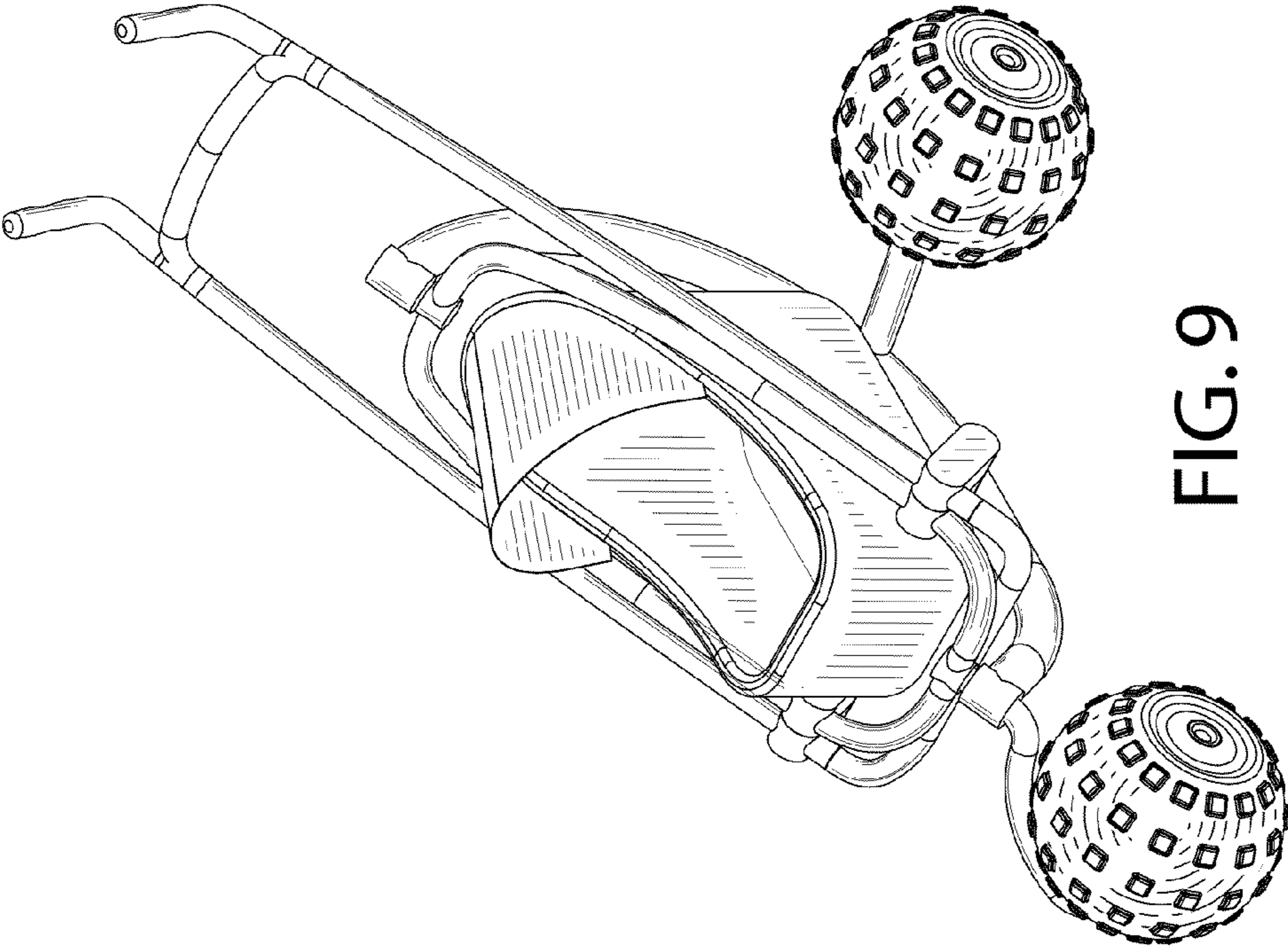


FIG. 9

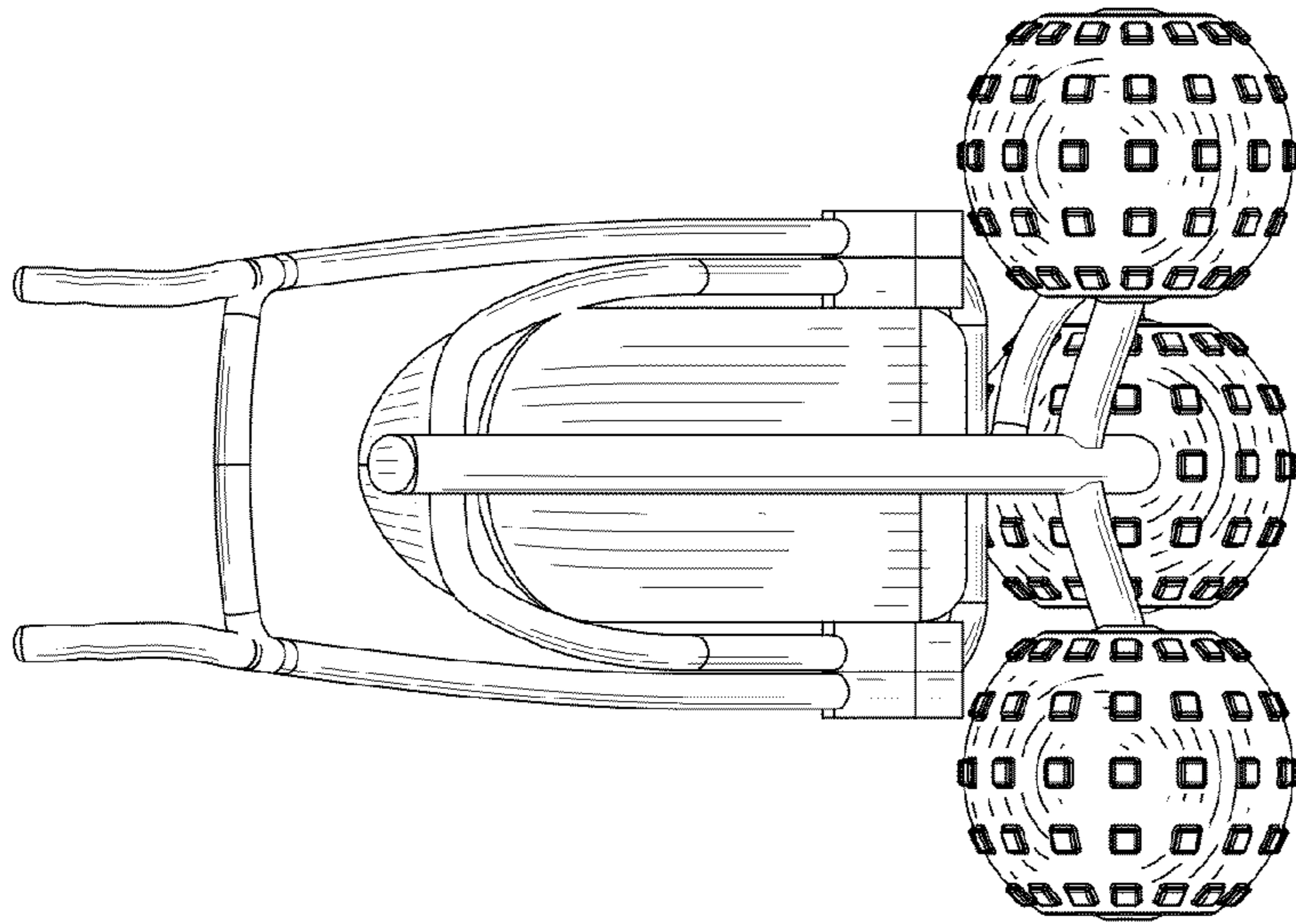


FIG. 12

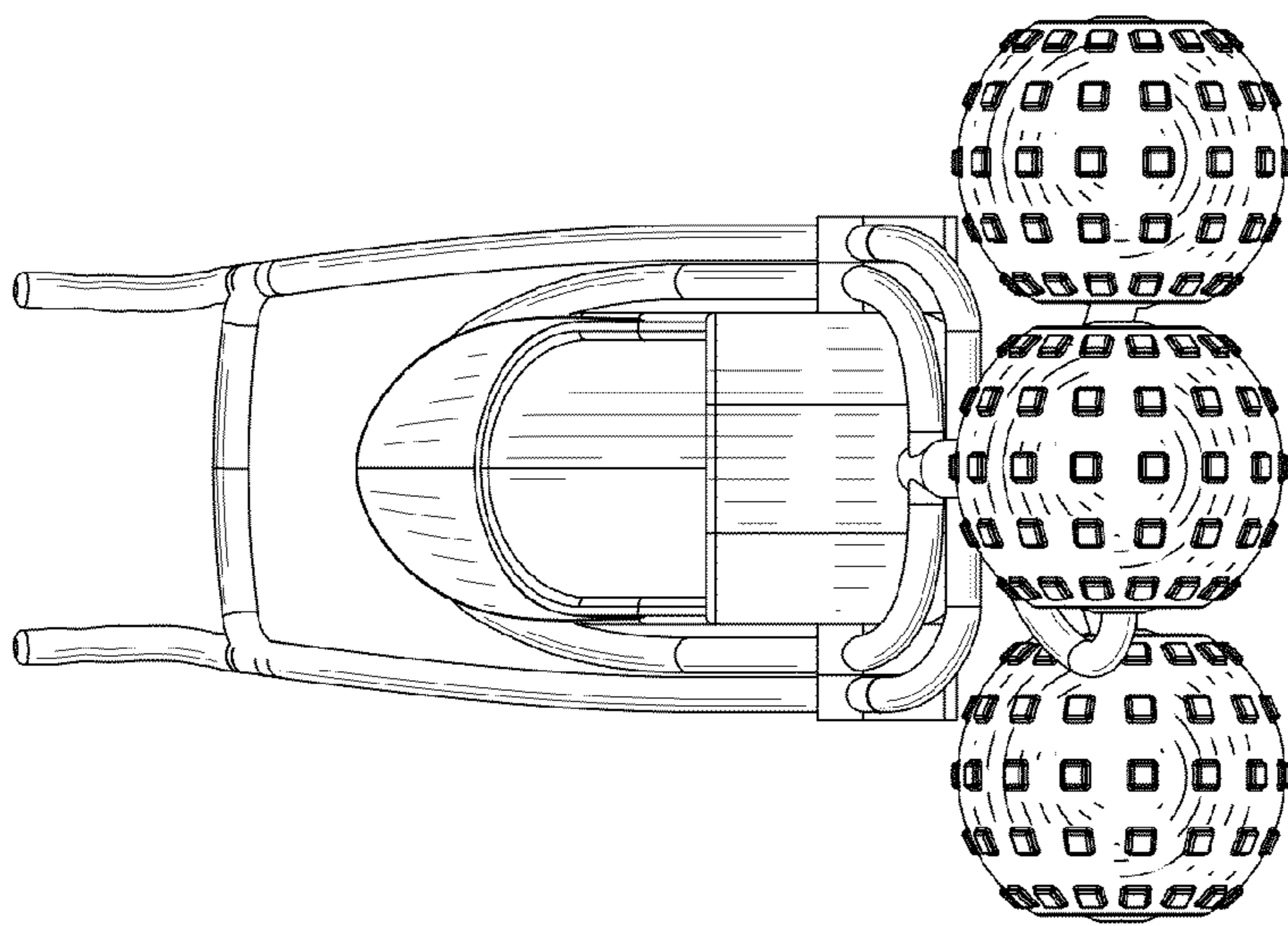


FIG. 11

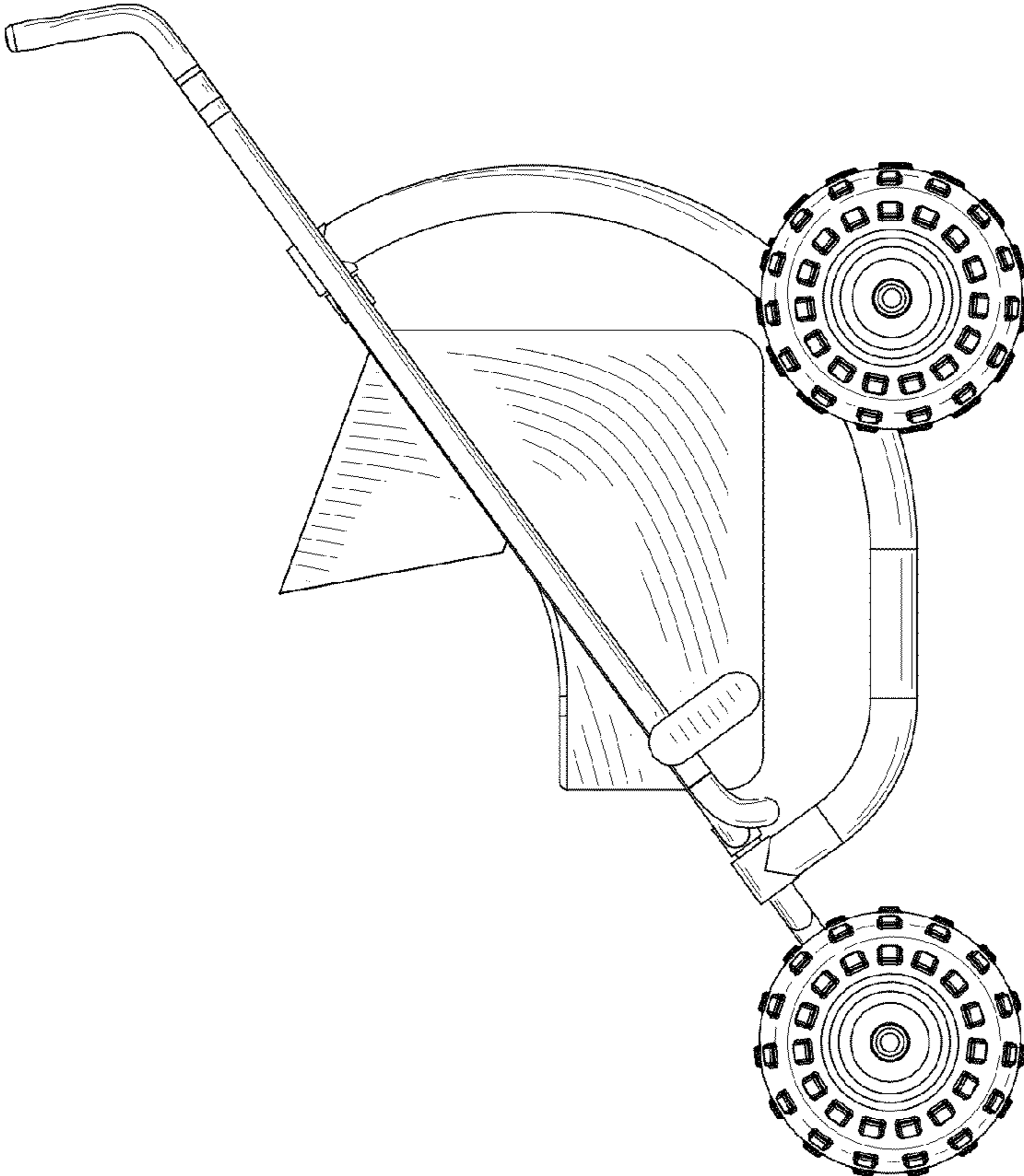


FIG. 14

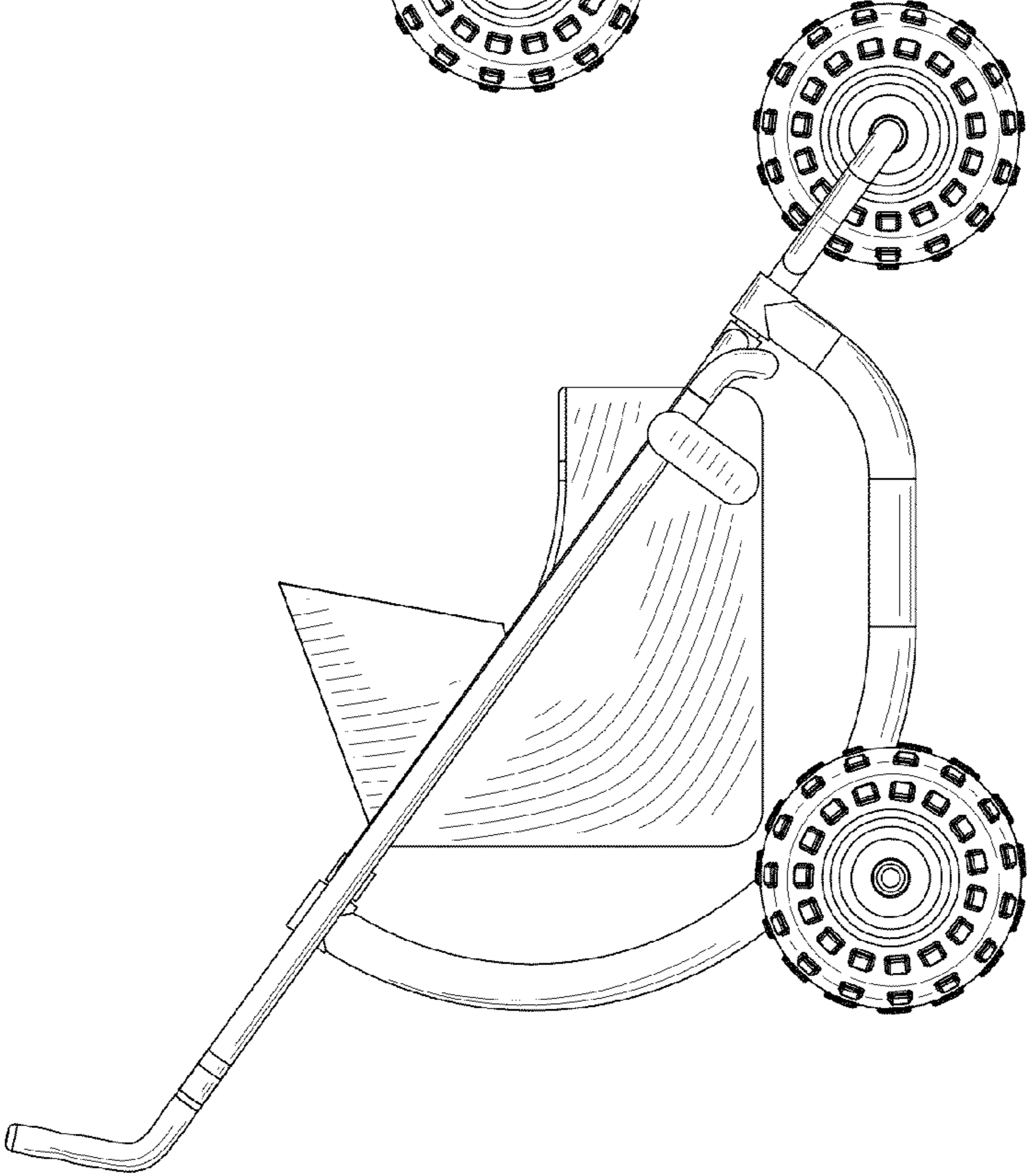


FIG. 13

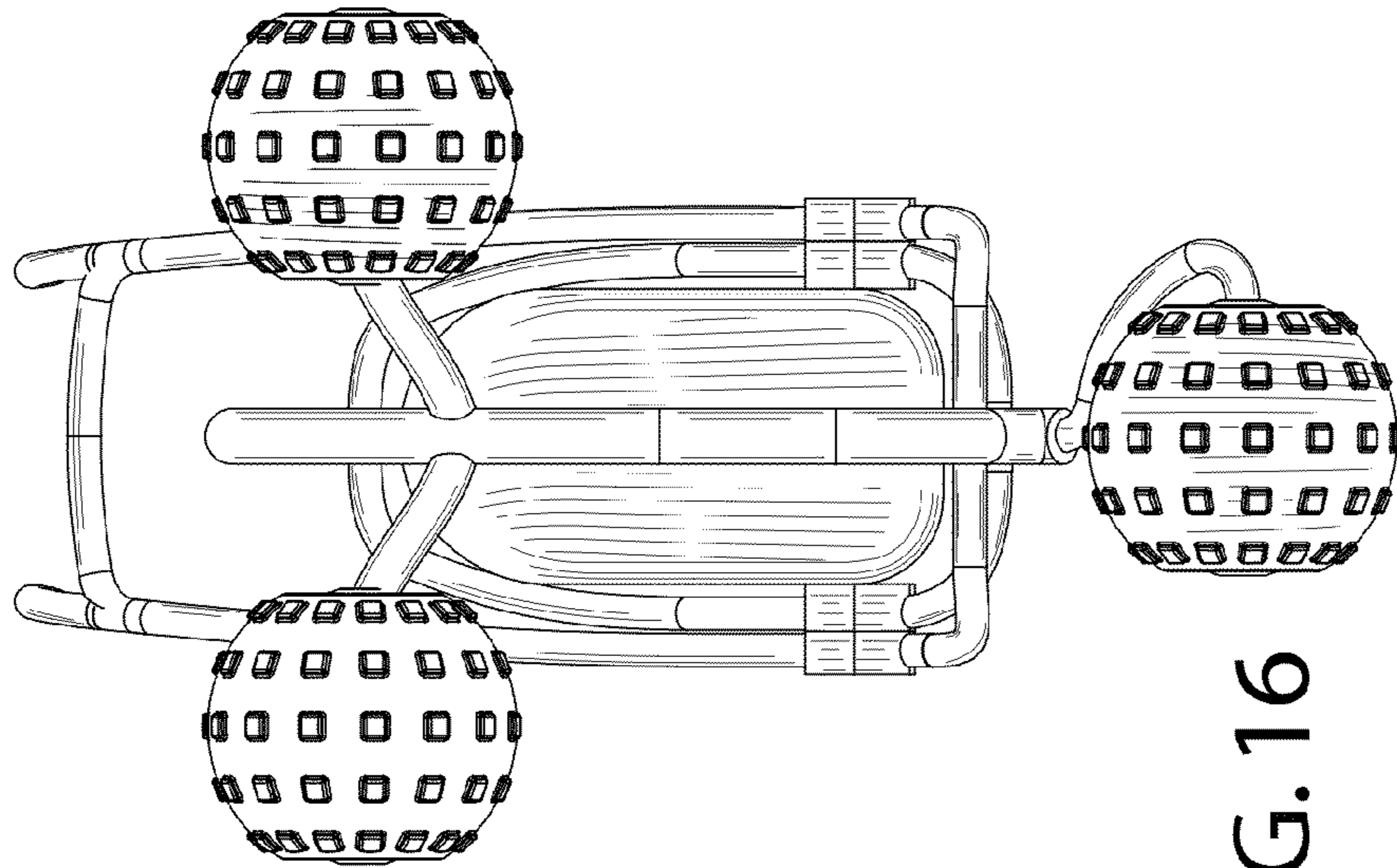


FIG. 16

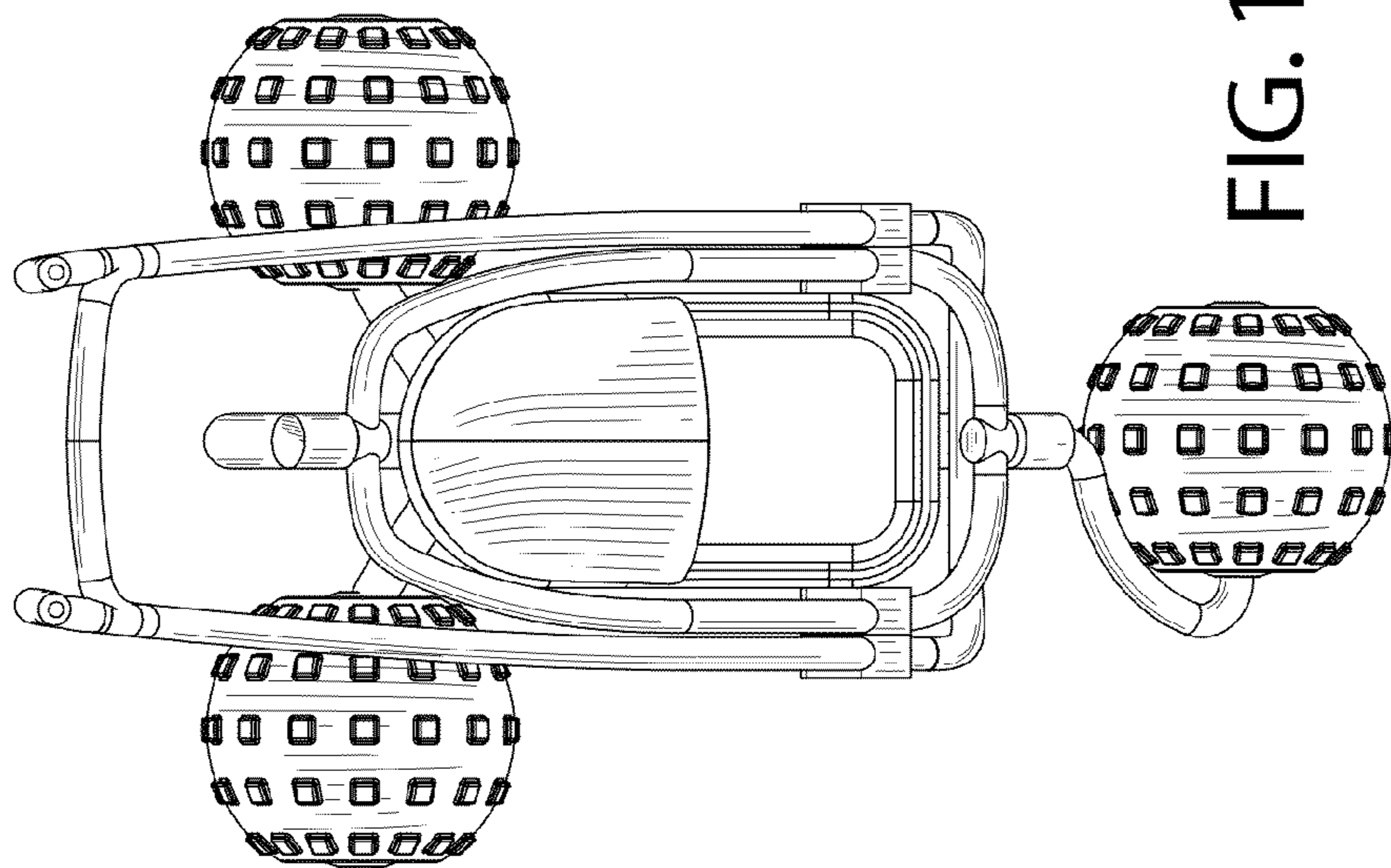


FIG. 15