



US00D724497S

(12) **United States Design Patent**
Harness

(10) **Patent No.:** **US D724,497 S**
(45) **Date of Patent:** **** Mar. 17, 2015**

(54) **FOLDED BICYCLE**
(71) Applicant: **James Harness**, Lincolnshire (GB)
(72) Inventor: **James Harness**, Lincolnshire (GB)
(73) Assignee: **JAM Vehicles Limited**, London (GB)
(**) Term: **14 Years**
(21) Appl. No.: **29/451,440**
(22) Filed: **Apr. 2, 2013**
(30) **Foreign Application Priority Data**
Oct. 2, 2012 (EP) 1346456-0001
Oct. 2, 2012 (EP) 1346456-0002

(51) **LOC (10) Cl.** **12-11**
(52) **U.S. Cl.**
USPC **D12/111**
(58) **Field of Classification Search**
USPC D12/111, 108, 124, 109, 113, 112;
D21/432, 419, 663, 435, 662; 280/283,
280/276, 240, 281.1, 284, 256, 286, 265,
280/268, 271, 288, 257, 279, 288.2, 274,
280/282, 288.4, 210, 287, 278; 74/594.3,
74/527; 16/44; 156/294; 180/68.5, 220;
29/428; 224/419
See application file for complete search history.

(56) **References Cited**
U.S. PATENT DOCUMENTS
D273,484 S * 4/1984 Herbert D12/111
D473,495 S * 4/2003 Niitsu et al. D12/111
D487,234 S * 3/2004 Chen et al. D12/111
D497,122 S * 10/2004 Uenaka D12/111

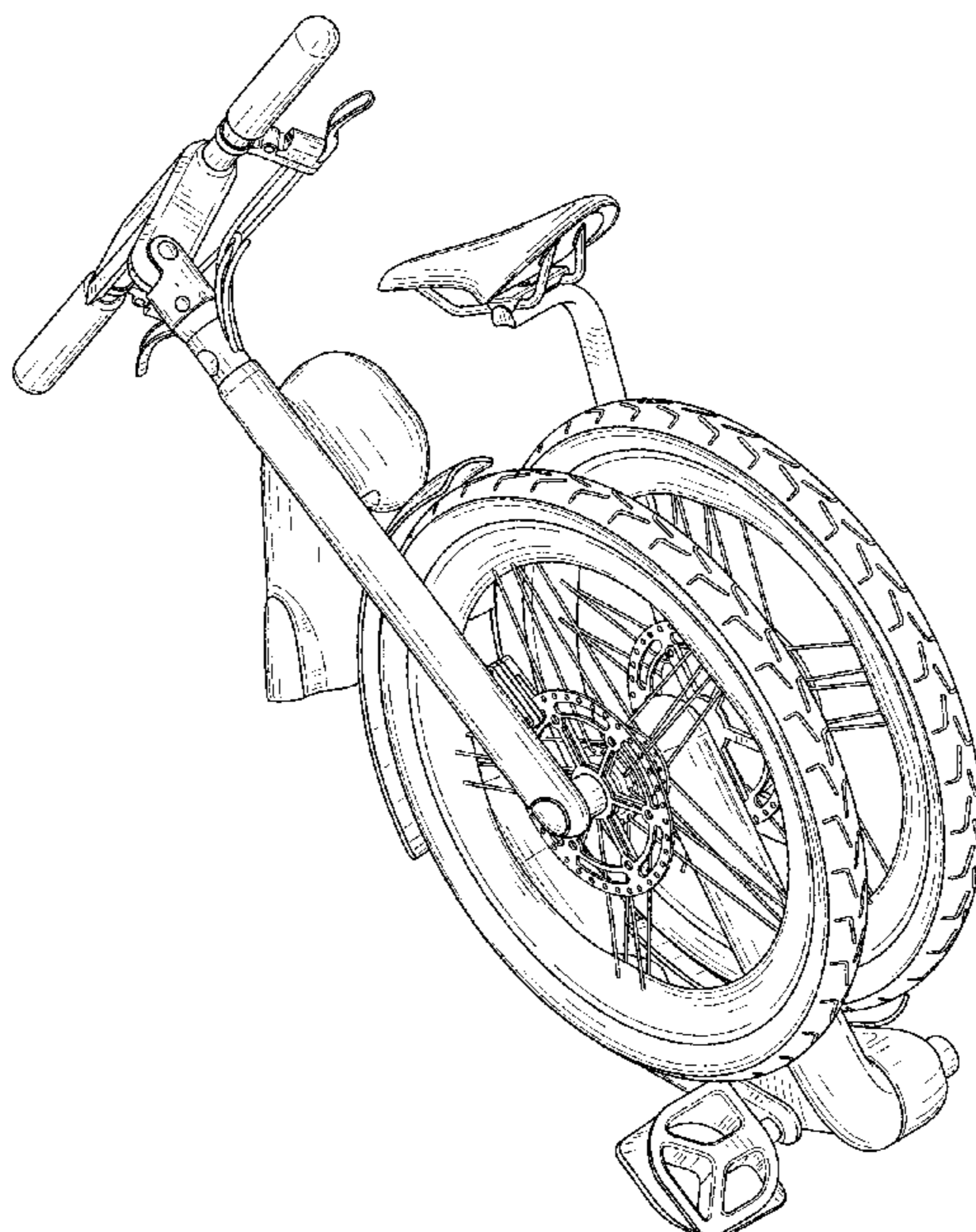
D498,438 S * 11/2004 Ying D12/111
7,216,410 B2 * 5/2007 Chuang 29/428
D578,440 S * 10/2008 Giugiaro D12/111
D594,787 S * 6/2009 Dallaire D12/111
D651,539 S * 1/2012 Thetard D12/111
D654,403 S * 2/2012 Kyu D12/111
D659,597 S * 5/2012 Chen D12/111
D689,409 S * 9/2013 Yap D12/111
8,814,194 B2 * 8/2014 Kim et al. 280/278
2006/0163837 A1 * 7/2006 Sutherland 280/284
2007/0069499 A1 * 3/2007 Lin 280/287
2012/0056399 A1 * 3/2012 Hon et al. 280/278
2012/0060639 A1 * 3/2012 Huang 74/527
2012/0169029 A1 * 7/2012 Marais et al. 280/287
2013/0043667 A1 * 2/2013 Dodman et al. 280/278
2013/0087988 A1 * 4/2013 Wang et al. 280/287
2013/0087989 A1 * 4/2013 Beistegui Chirapoza
et al. 280/287
2014/0076651 A1 * 3/2014 Kim et al. 180/220

* cited by examiner
Primary Examiner — Robert M Spear
Assistant Examiner — Ryan Harvey
(74) *Attorney, Agent, or Firm* — Cooper Legal Group, LLC

(57) **CLAIM**
The ornamental design for a folded bicycle, as shown.

DESCRIPTION
FIG. 1 is a front view of a folded bicycle, showing the new design.
FIG. 2 is a rear view of thereof.
FIG. 3 is a top view thereof.
FIG. 4 is a bottom view thereof.
FIG. 5 is a right view thereof.
FIG. 6 is a left view thereof.
FIG. 7 is a top front right perspective view thereof; and,
FIG. 8 is a bottom rear left perspective view thereof.

1 Claim, 8 Drawing Sheets



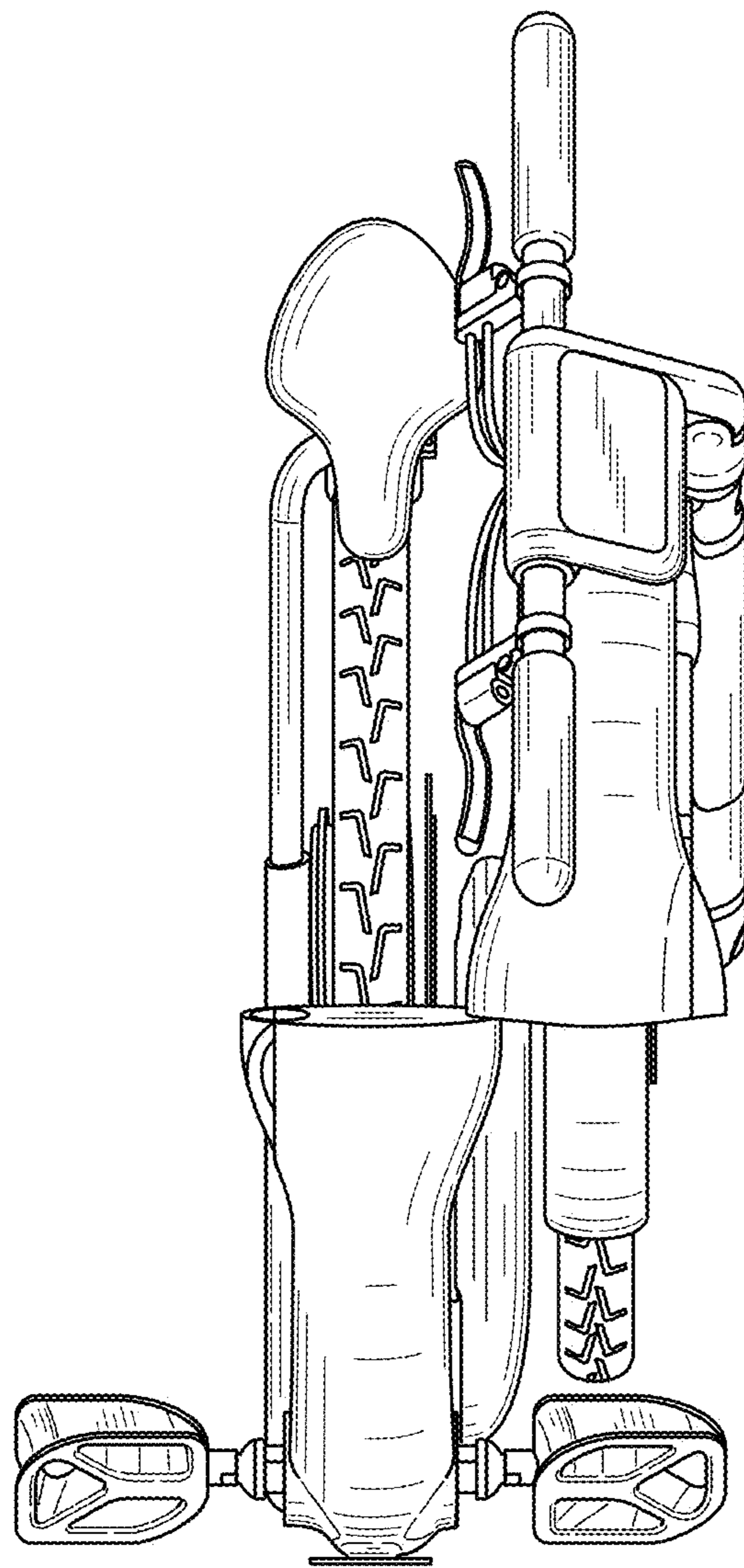


FIG. 1

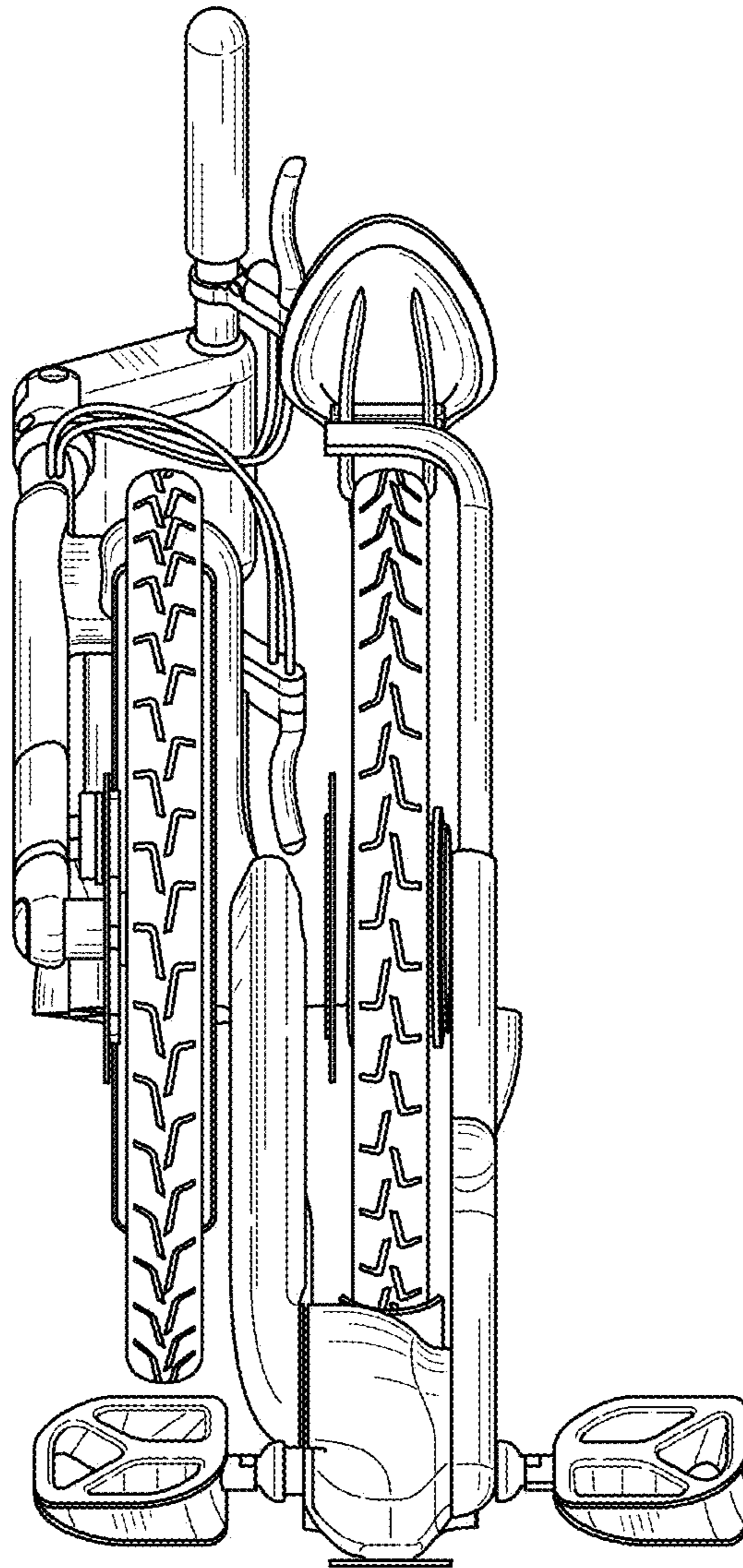


FIG. 2

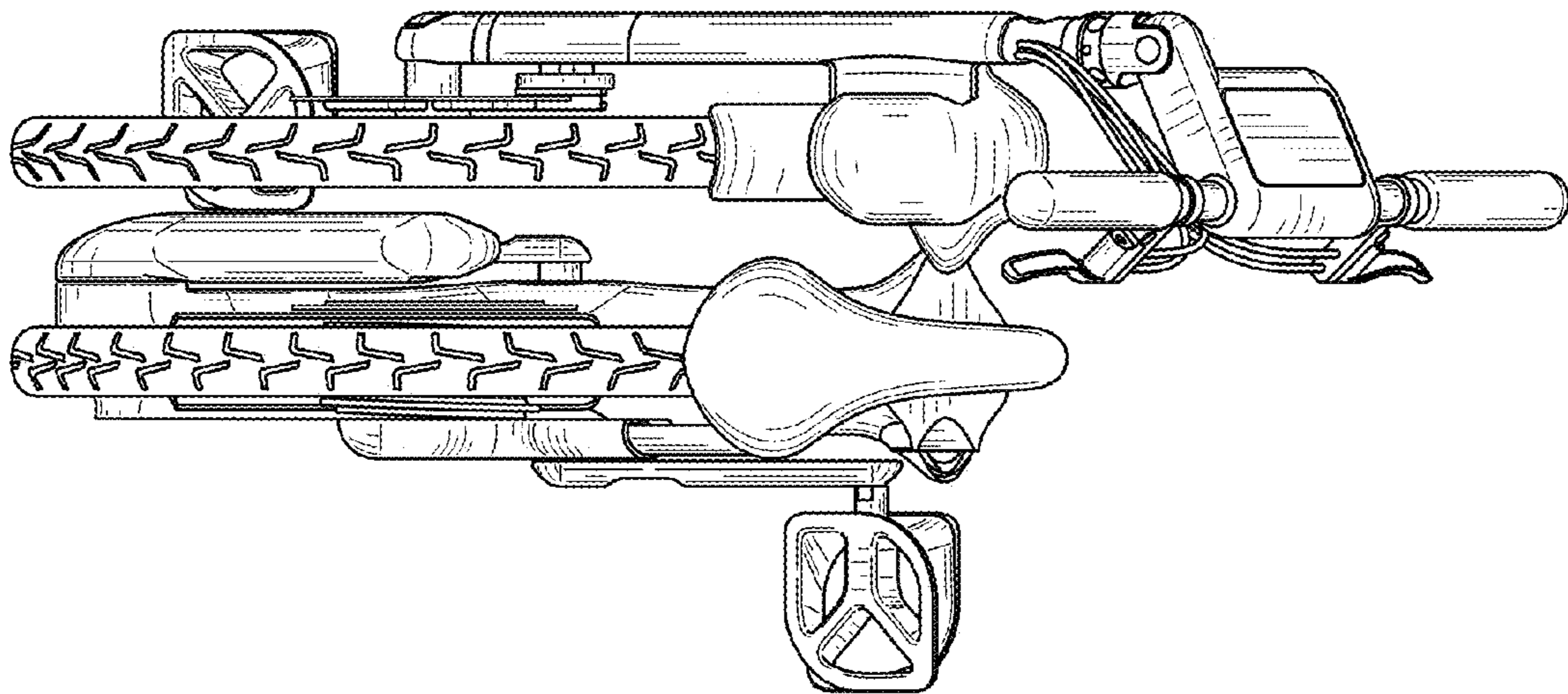


FIG. 3

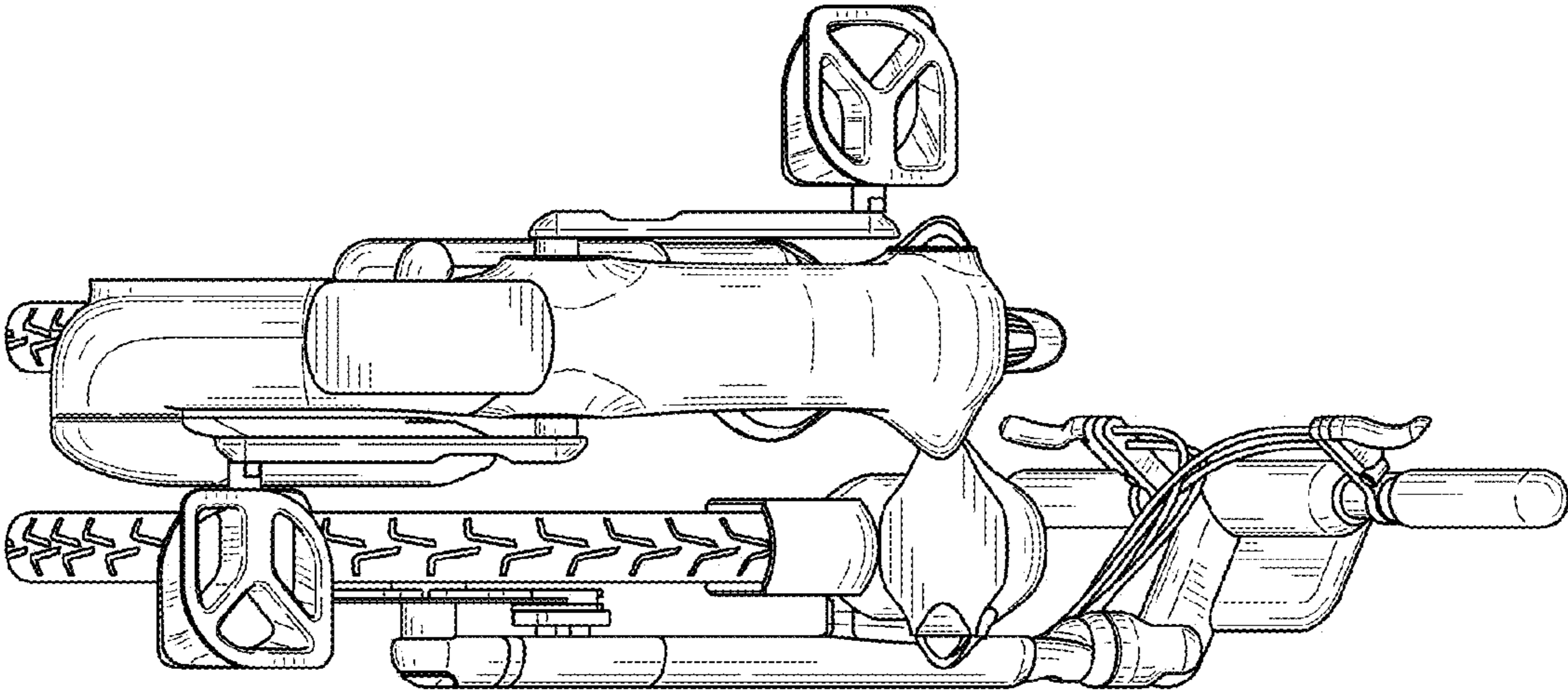


FIG. 4

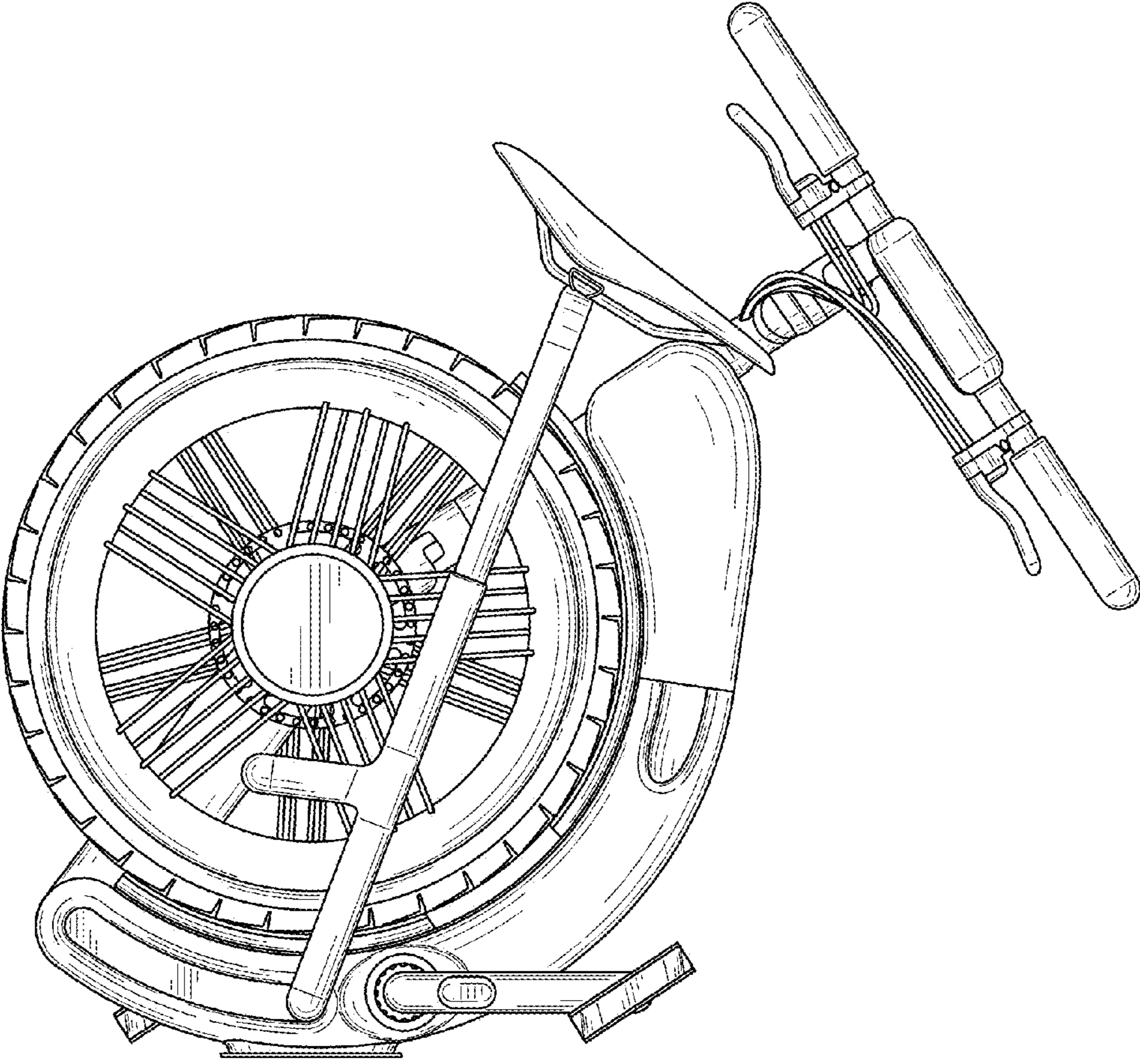


FIG. 5

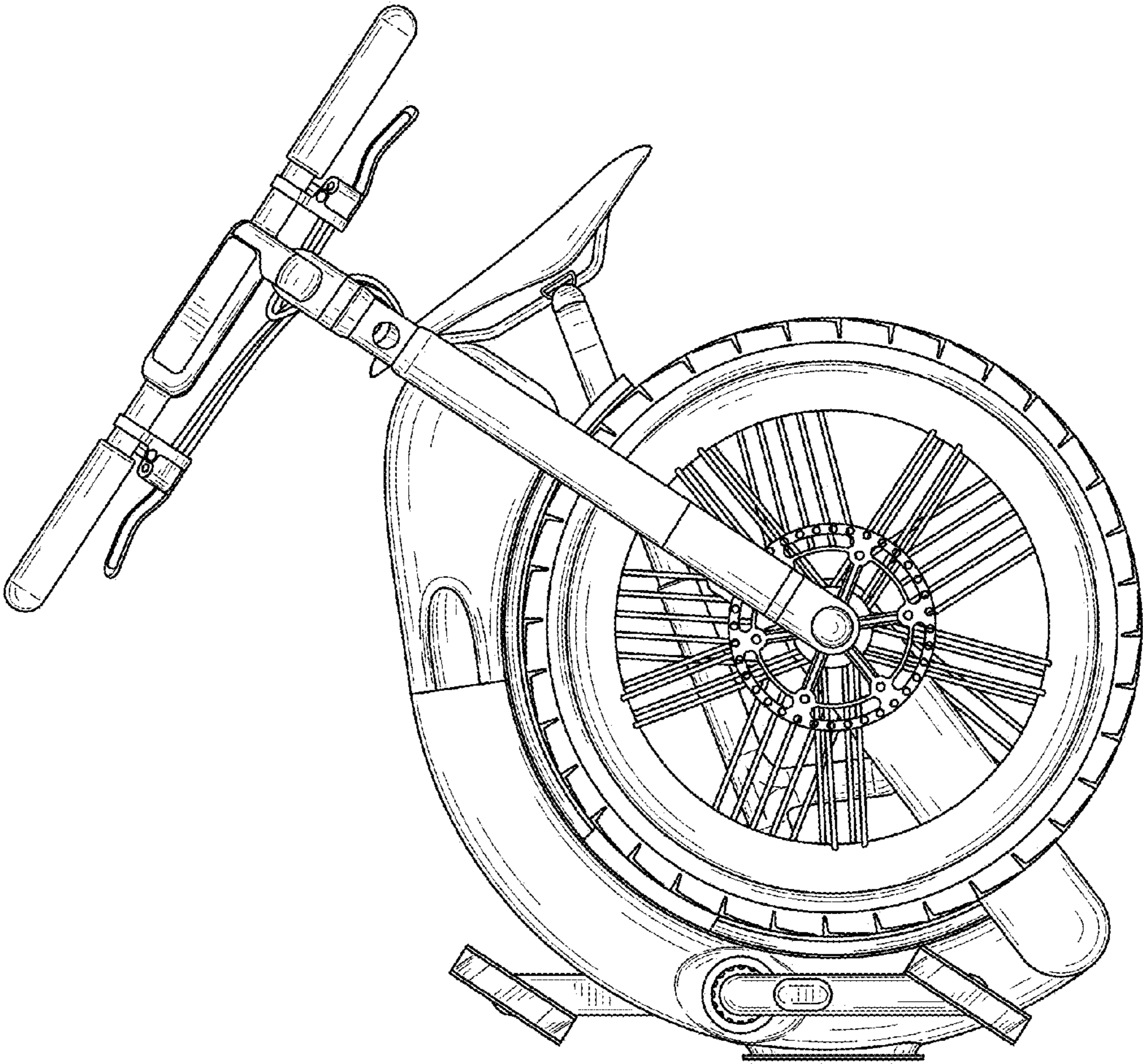


FIG. 6

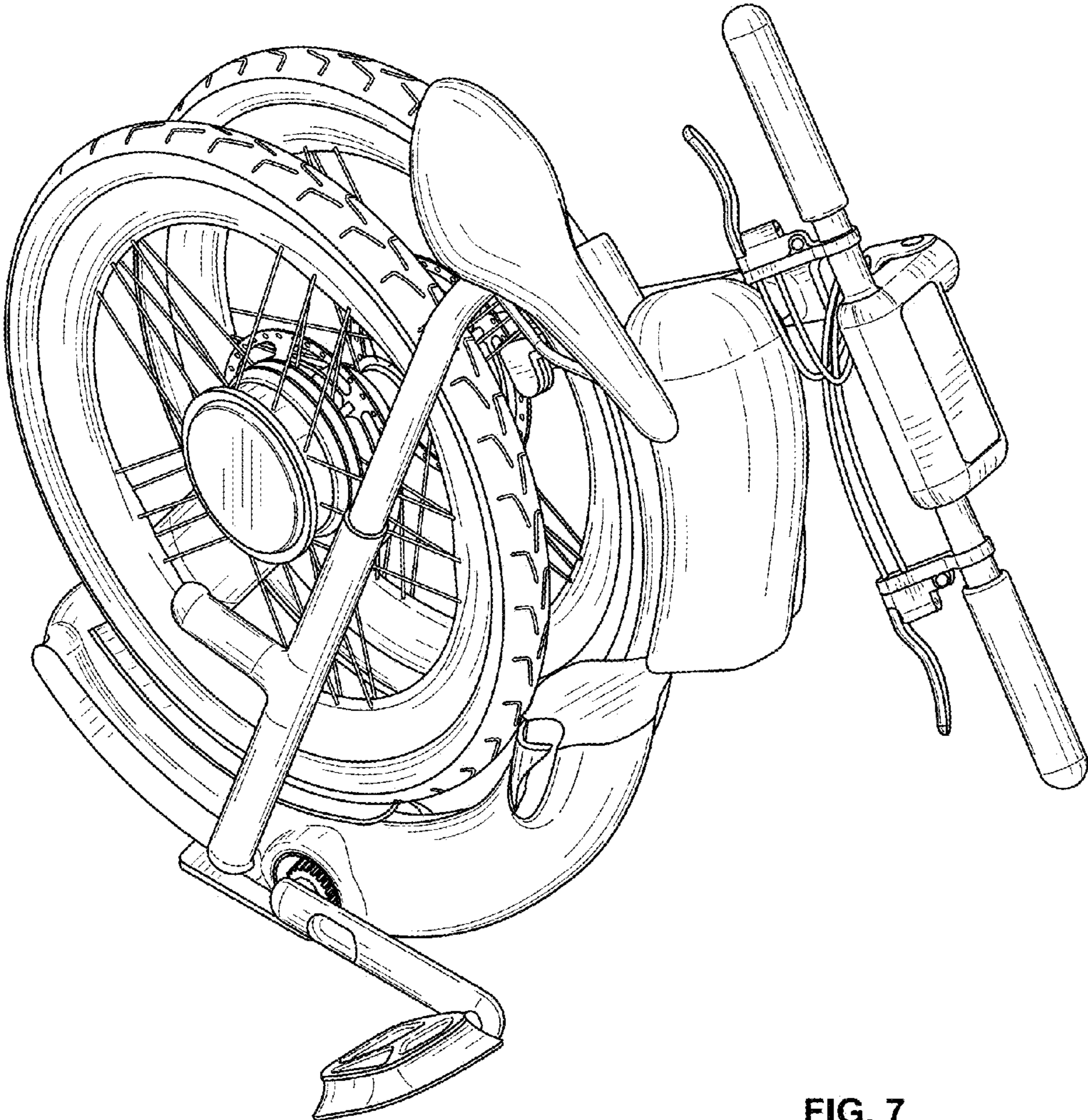


FIG. 7

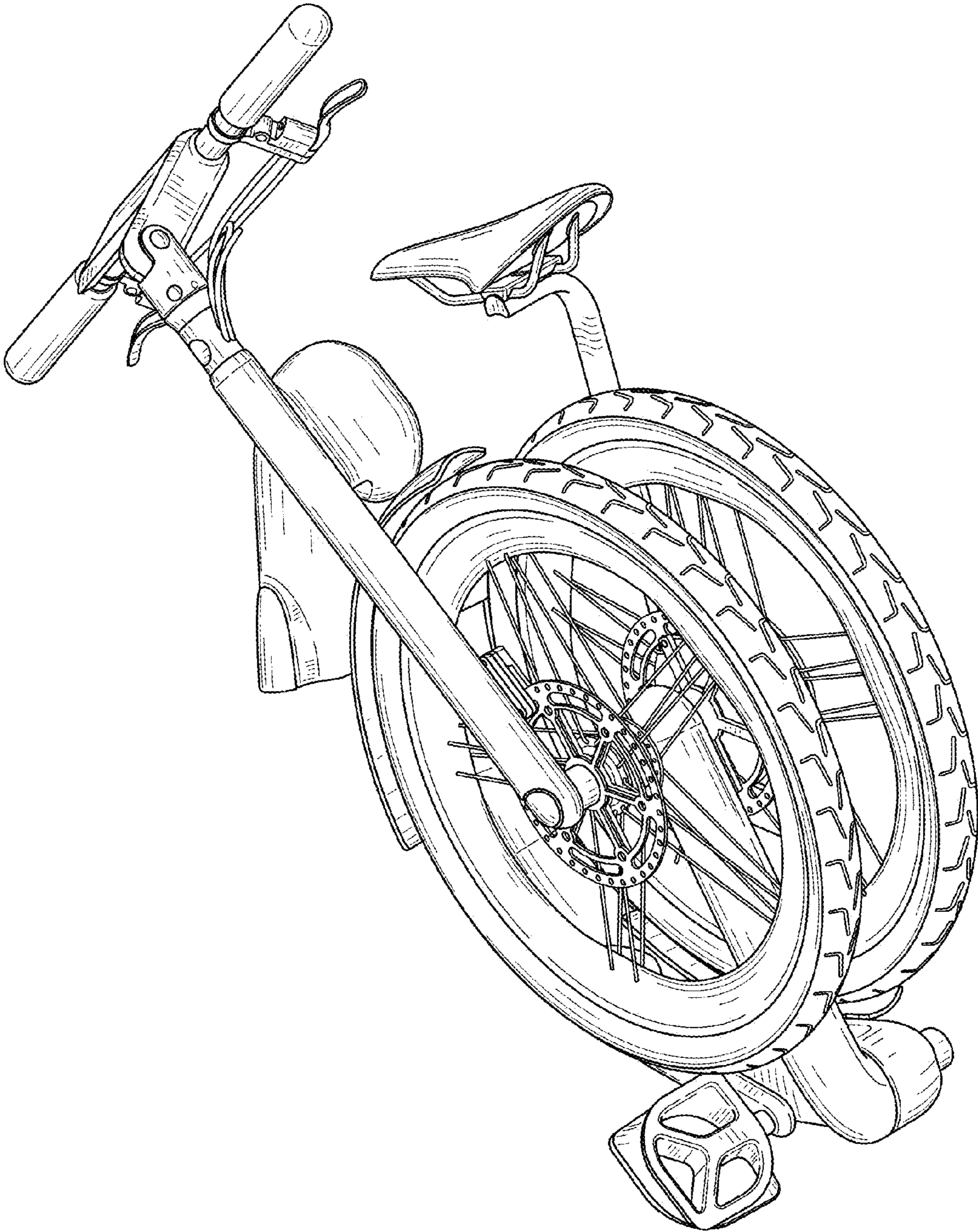


FIG. 8