



US00D724496S

(12) **United States Design Patent**
Takeda

(10) **Patent No.:** **US D724,496 S**
(45) **Date of Patent:** **** Mar. 17, 2015**

(54) **ELECTRIC MOTORCYCLE**
(71) Applicant: **Susumu Takeda**, Tokyo-to (JP)
(72) Inventor: **Susumu Takeda**, Tokyo-to (JP)
(73) Assignee: **Yamaha Hatsudoki Kabushiki Kaisha**
(JP)

D456,315 S * 4/2002 Sawabe et al. D12/110
D482,639 S * 11/2003 Yamamoto et al. D12/110
D501,431 S * 2/2005 Hirano D12/110
D523,783 S * 6/2006 Sugimoto D12/110
D524,191 S * 7/2006 Sugimoto D12/110
D609,610 S * 2/2010 Inose D12/110
2005/0029773 A1 * 2/2005 Day et al. 280/284

(**) Term: **14 Years**
(21) Appl. No.: **29/490,151**
(22) Filed: **May 7, 2014**

FOREIGN PATENT DOCUMENTS

JP 2010120625 A * 6/2010 B62J 9/00
JP 2013103565 A * 5/2013 B62J 9/00

(30) **Foreign Application Priority Data**

Nov. 7, 2013 (JP) 2013-025995

(51) **LOC (10) Cl.** **12-11**
(52) **U.S. Cl.**
USPC **D12/110**

(58) **Field of Classification Search**
CPC B62D 37/00; B62D 57/00; B62K 9/00;
B62K 11/04; B62K 17/00; B62K 19/48;
B62M 7/12; F02B 61/02; A63H 17/21;
B62J 17/00; B62J 17/04; B62J 29/00
USPC D12/109, 110, 111, 114, 117, 126, 184,
D12/186; D21/432, 458, 538; 180/210–217,
180/219, 220, 225, 229, 908; 280/103, 124,
280/152.1–152.3, 288.2, 288.4, 304.3, 770,
280/827, 828, 847, 848; 296/77.1, 78.1,
296/181.1, 187.01, 187.12, 192, 193.01,
296/193.04, 193.05, 193.09; 446/440
See application file for complete search history.

OTHER PUBLICATIONS

Yoney, Domenick. "Suzuki Extrigger concept makes a monkey of electric motorcycles." *Autoblog Green.*, Oct. 30, 2013 [online], [retrieved on Oct. 2, 2014]. Retrieved from the Internet <URL: <http://green.autoblog.com/2013/10/30/suzuki-extrigger-concept-makes-a-monkey-of-electric-motocycles/>>.*

(Continued)

Primary Examiner — Philip S Hyder
Assistant Examiner — Darlington Ly
(74) *Attorney, Agent, or Firm* — Ostrolenk Faber LLP

(56) **References Cited**

U.S. PATENT DOCUMENTS

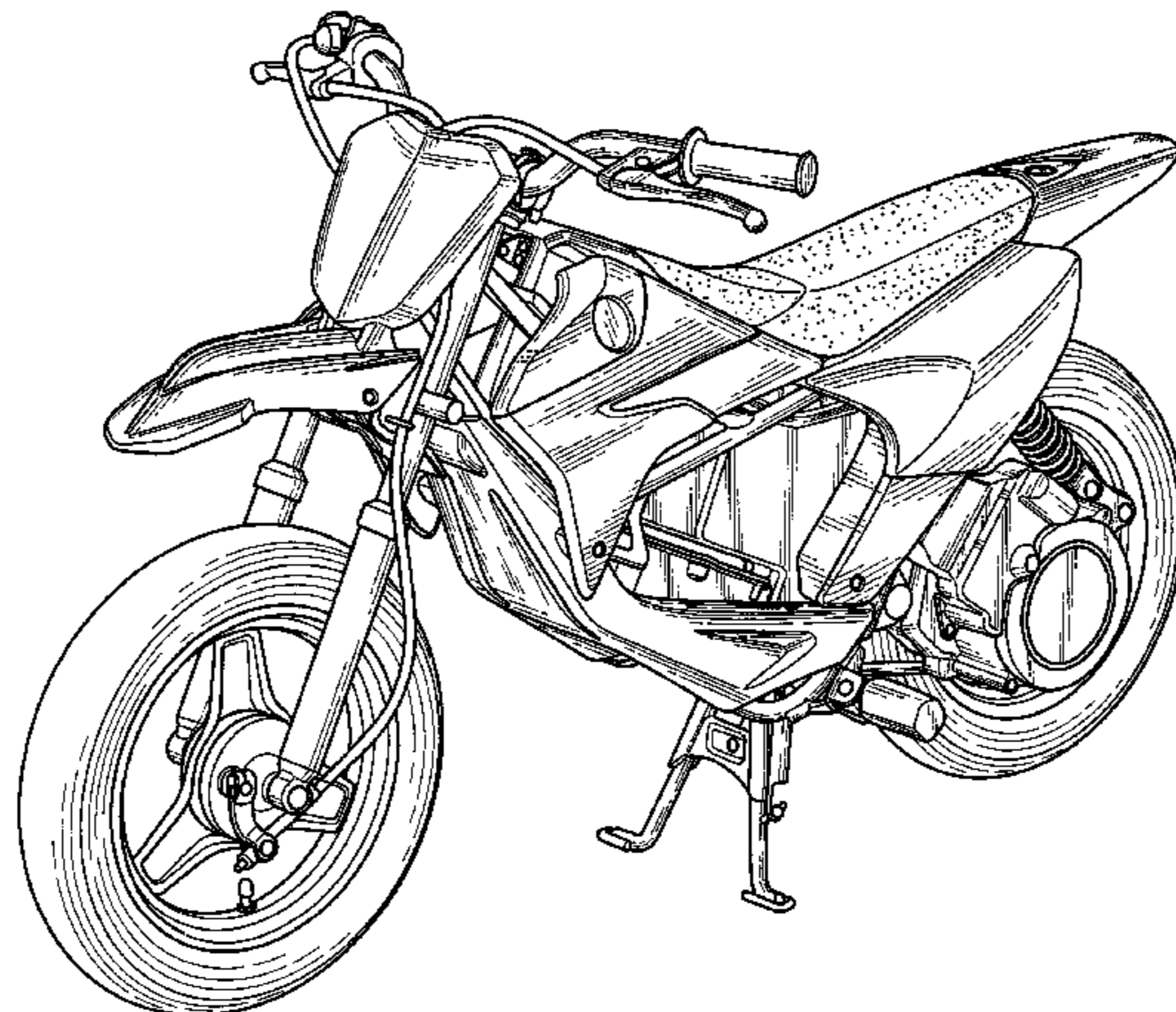
D311,507 S * 10/1990 Sasaki et al. D12/110
D368,242 S * 3/1996 Camfield et al. D12/111
D385,226 S * 10/1997 Mogi et al. D12/110
D387,017 S * 12/1997 Wakita et al. D12/110
D430,822 S * 9/2000 Sakaguchi et al. D12/110
D431,501 S * 10/2000 Yamamoto et al. D12/110

DESCRIPTION

(57) **CLAIM**
The ornamental design for an electric motorcycle, as shown and described.

FIG. 1 is a left side, front, perspective view of an electric motorcycle showing my new design;
FIG. 2 is a right side, rear, perspective view thereof;
FIG. 3 is a left side view thereof;
FIG. 4 is a right side view thereof;
FIG. 5 is a front view thereof;
FIG. 6 is a rear view thereof; and,
FIG. 7 is a top view thereof.
No bottom view thereof is illustrated. The bottom of the electric motorcycle not shown in the drawing forms no part of the claimed design.

1 Claim, 7 Drawing Sheets



(56)

References Cited

OTHER PUBLICATIONS

Squatriglia, Chuck. "Take a Freeride on KTM's Electric Motorcycles." *Wired.*, Mar. 26, 2010 [online], [retrieved on Oct. 2, 2014]. Retrieved from the Internet <URL: <http://www.wired.com/2010/03/ktm-freeride-electric-motorcycles/>>.*

"Exo Electric Motorcycle from Estonia." *Future Motorcycles.*, Aug. 12, 2013 [online], [retrieved on Oct. 2, 2014]. Retrieved from the Internet <URL: http://future-motorcycles.com/exo-electric-motorcycle-from-estonia/#.VC0uK_IdVUw>.*

* cited by examiner

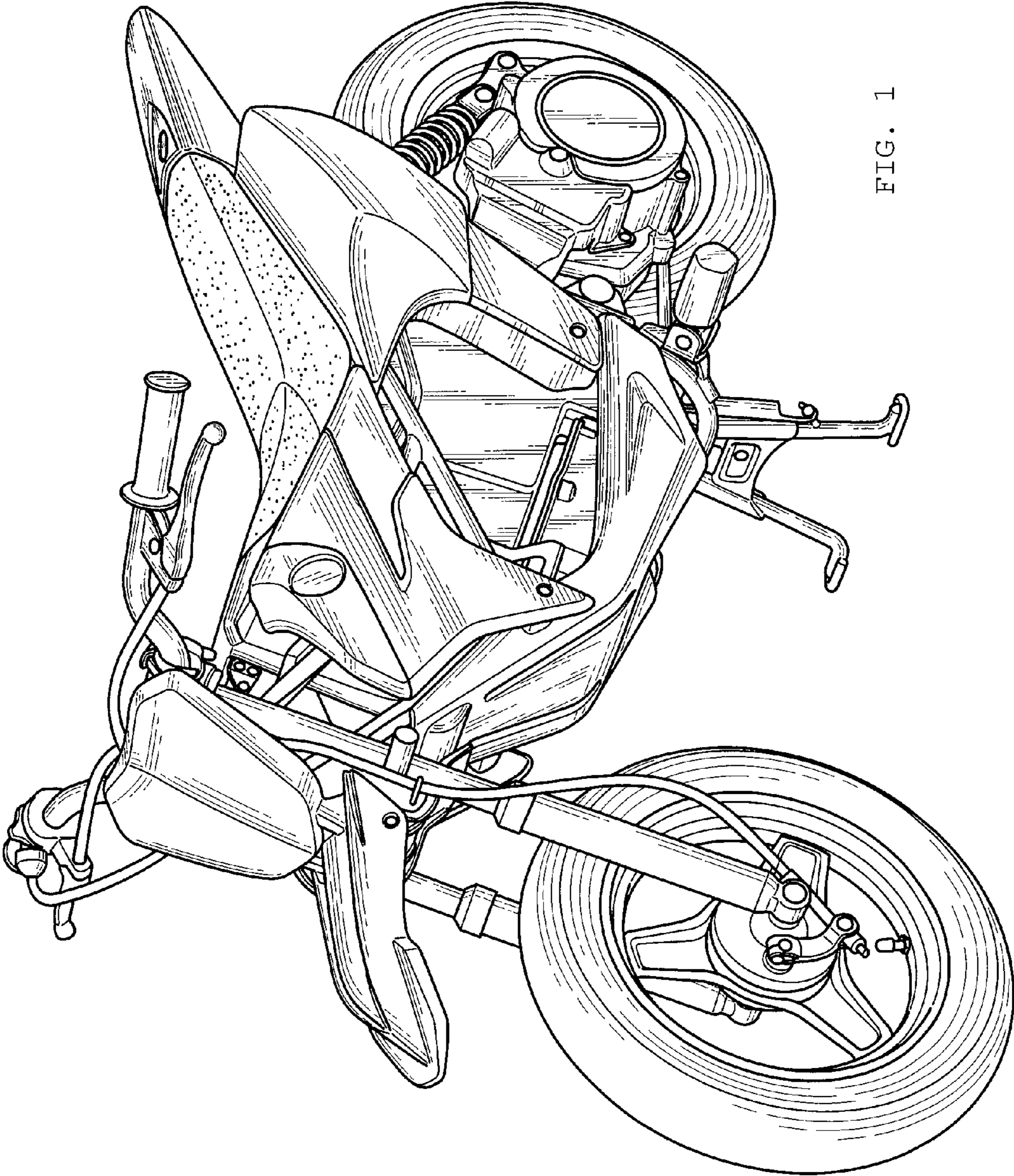


FIG. 1

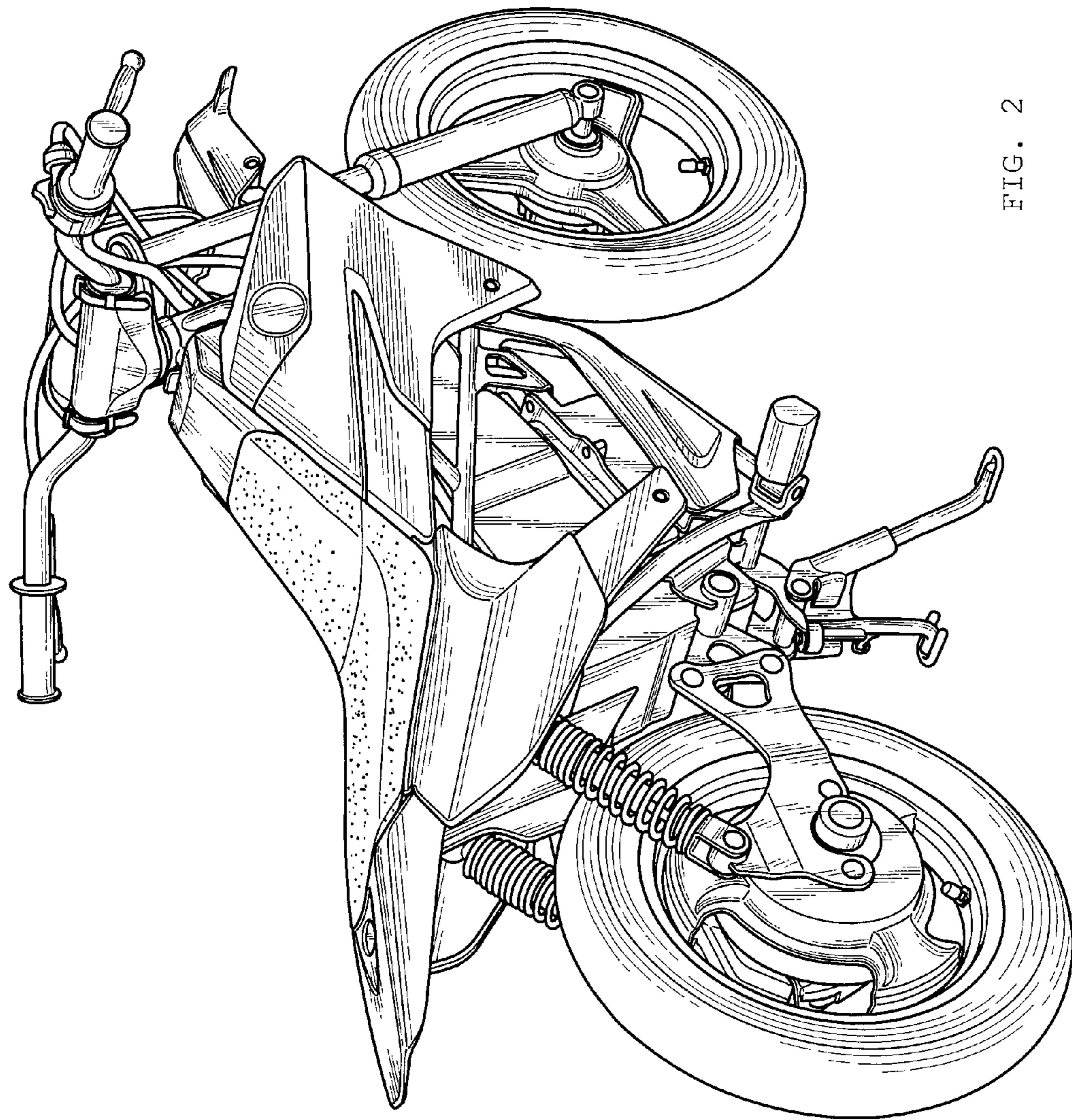


FIG. 2

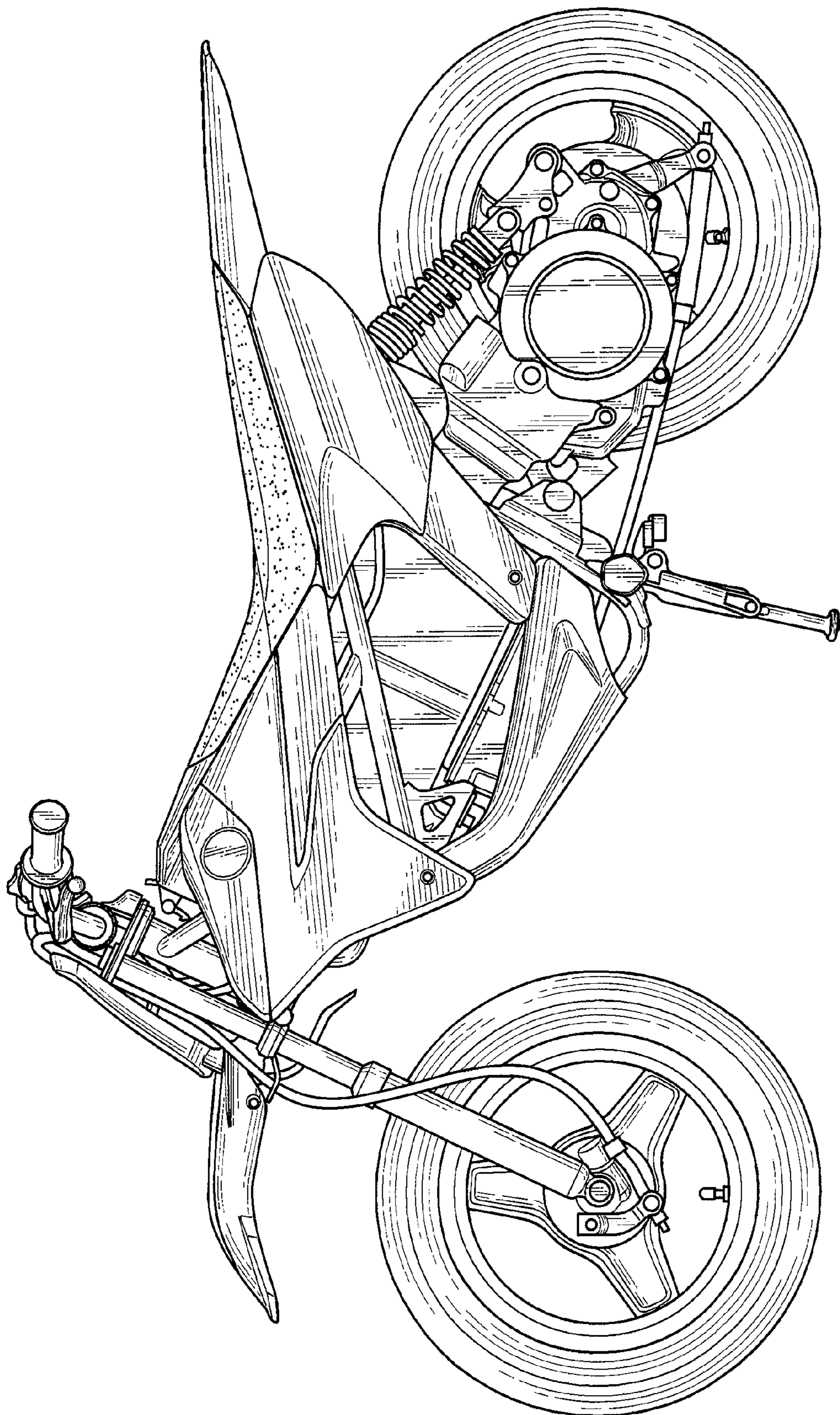


FIG. 3

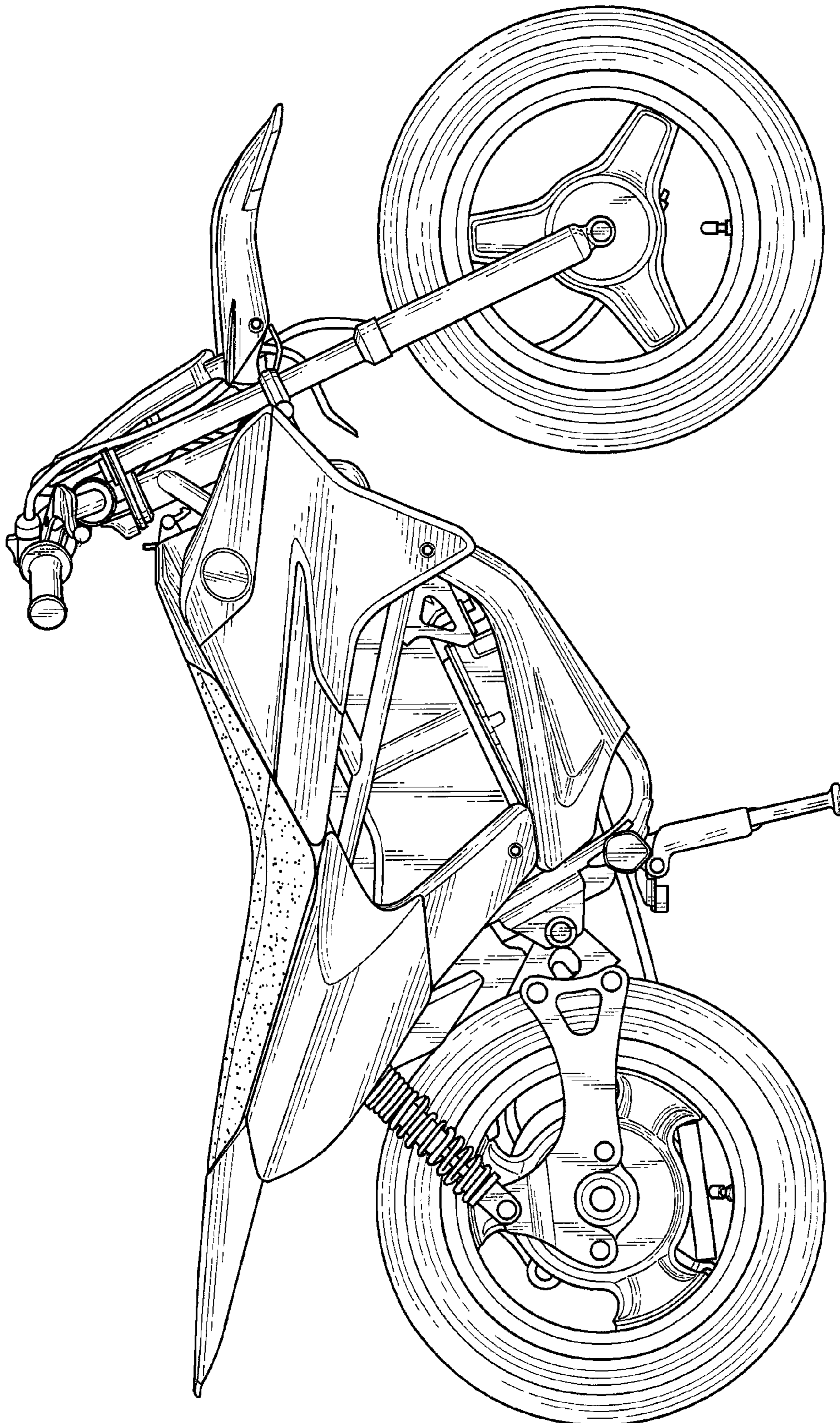


FIG. 4

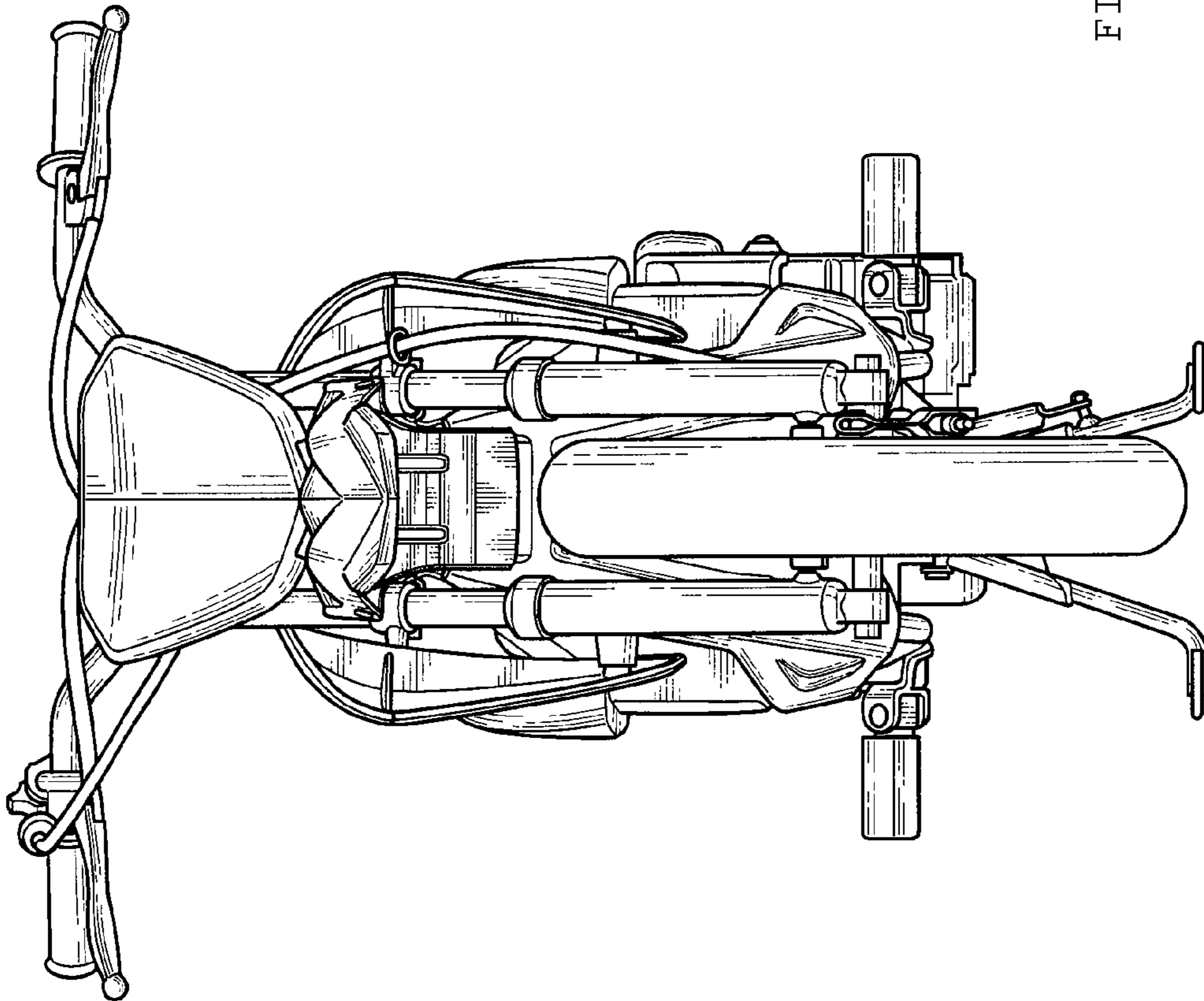


FIG. 5

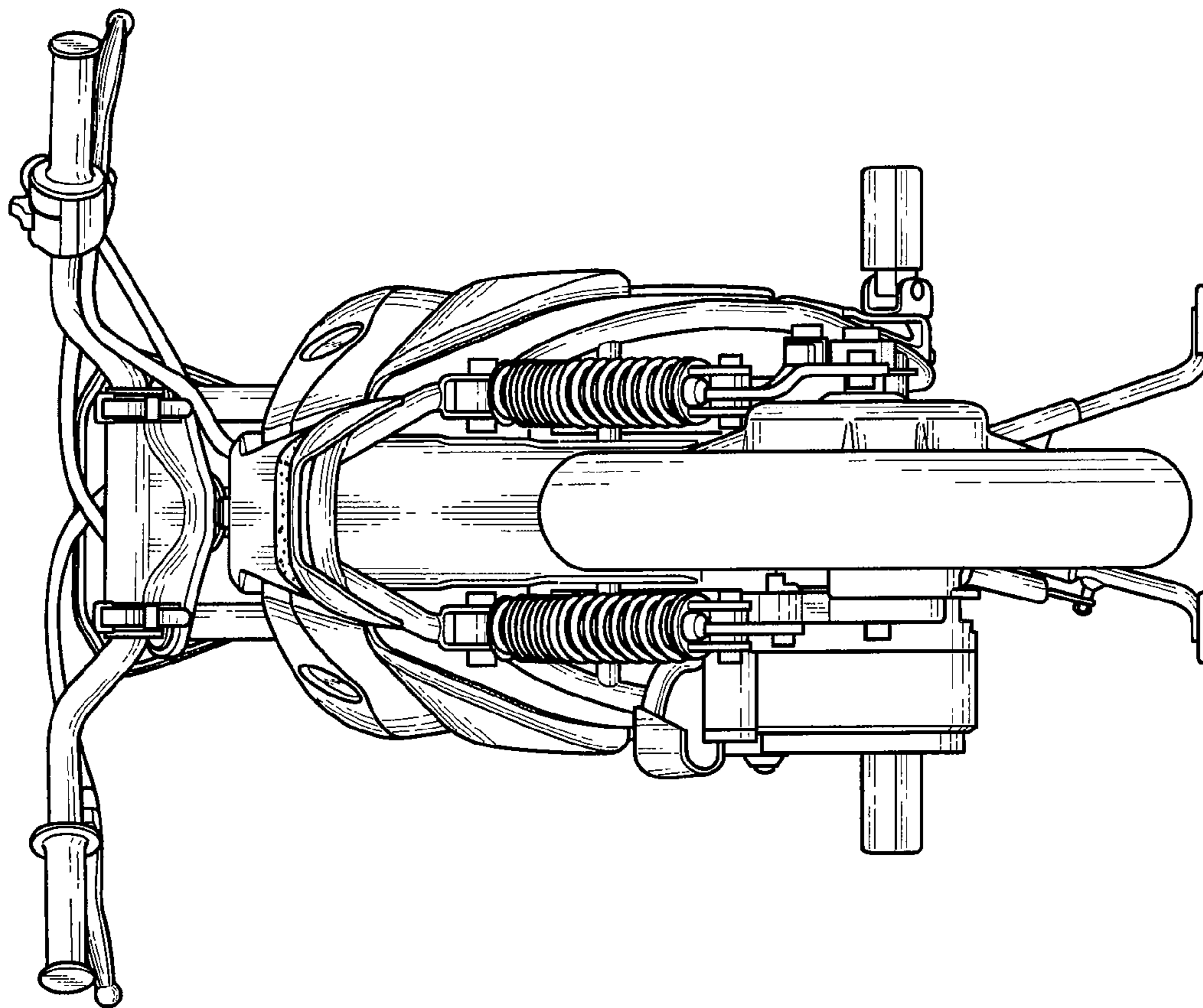


FIG. 6

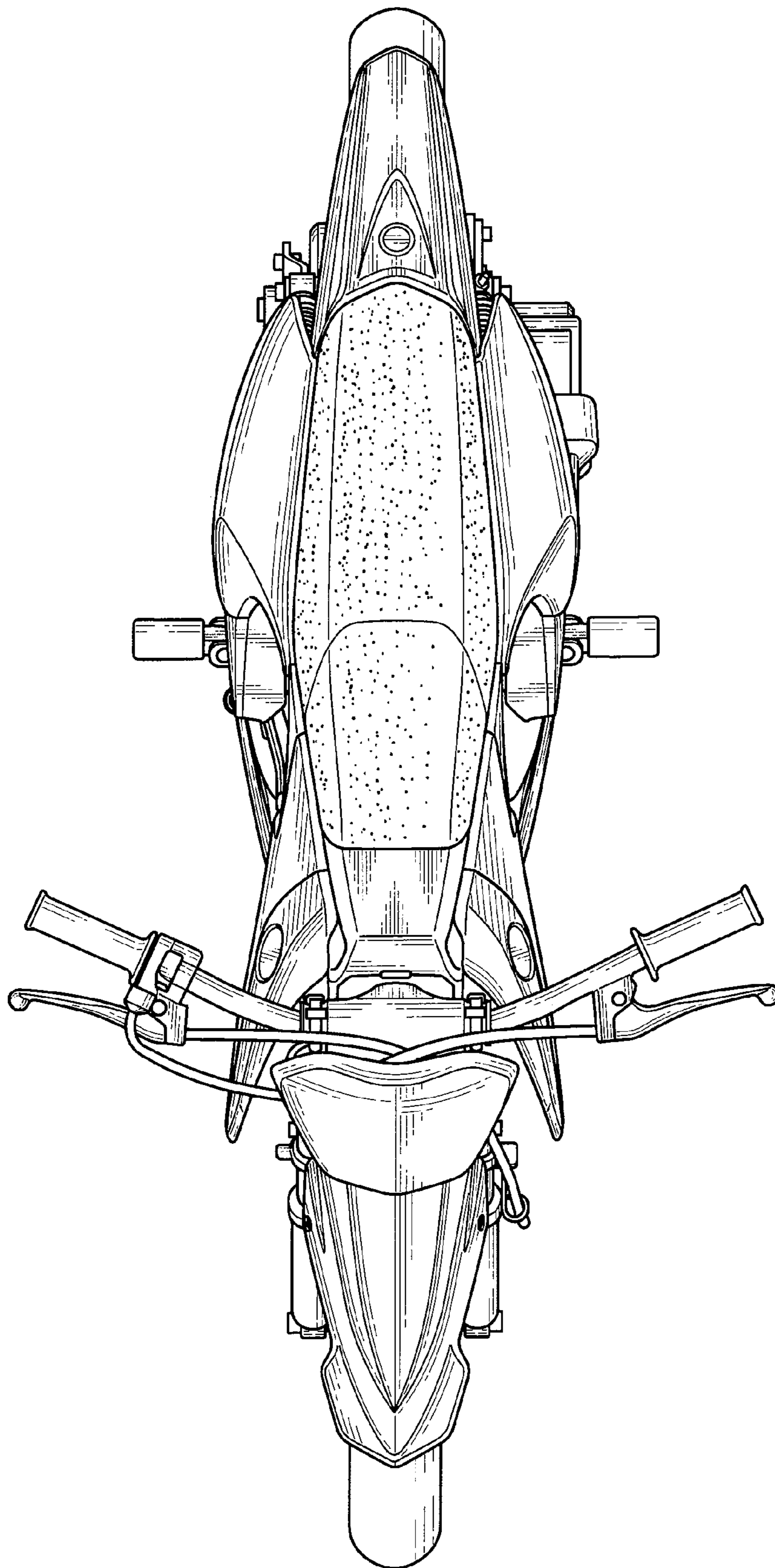


FIG. 7