



US00D724493S

(12) **United States Design Patent**
Kobayashi

(10) **Patent No.:** **US D724,493 S**
(45) **Date of Patent:** **** Mar. 17, 2015**

(54) **AUTOMOBILE, TOY REPLICA, AND/OR
OTHER REPLICAS**

(71) Applicant: **Honda Motor Co., Ltd.**, Tokyo (JP)

(72) Inventor: **Masaki Kobayashi**, Wako (JP)

(73) Assignee: **Honda Motor Co., Ltd.**, Tokyo (JP)

(**) Term: **14 Years**

(21) Appl. No.: **29/459,017**

(22) Filed: **Jun. 25, 2013**

(30) **Foreign Application Priority Data**

Dec. 28, 2012 (JP) 2012-032034

(51) **LOC (10) Cl.** **12-08**

(52) **U.S. Cl.**
USPC **D12/91**

(58) **Field of Classification Search**
USPC D12/86, 90, 91, 92, 98; 296/37.6,
296/181.1, 181.5, 183.1; D21/424, 433,
D21/434
See application file for complete search history.

(56) **References Cited**

U.S. PATENT DOCUMENTS

D515,972	S	*	2/2006	Ikeda et al.	D12/91
D526,935	S	*	8/2006	Wagner et al.	D12/91
D558,095	S	*	12/2007	Leclercq et al.	D12/91
D565,465	S	*	4/2008	Iida et al.	D12/91
D588,047	S	*	3/2009	Kulla	D12/91
D592,552	S	*	5/2009	Wang et al.	D12/91
D602,399	S	*	10/2009	Sakae et al.	D12/91
D605,978	S	*	12/2009	Wolff et al.	D12/91
D609,135	S	*	2/2010	Kim	D12/91
D617,682	S	*	6/2010	Frei et al.	D12/91
D619,502	S	*	7/2010	Cha	D12/91
D630,553	S	*	1/2011	Muller	D12/91
D630,554	S	*	1/2011	Kim	D12/91
D633,009	S	*	2/2011	Matei et al.	D12/91

D633,823	S	*	3/2011	Matei et al.	D12/91
8,246,109	B2	*	8/2012	Wykoff et al.	296/216.08
D671,033	S	*	11/2012	Fetherston et al.	D12/91
D673,078	S	*	12/2012	Ramaciotti	D12/91
8,397,581	B2	*	3/2013	Ruby et al.	73/768
D680,906	S	*	4/2013	Sugimoto et al.	D12/91
D684,092	S	*	6/2013	Lee	D12/91
D689,795	S	*	9/2013	Takei et al.	D12/91
D693,273	S	*	11/2013	Takahashi et al.	D12/91

(Continued)

OTHER PUBLICATIONS

Voelcker, John. "Honda Vezel Unveiled At Tokyo Motor Show: Photo Gallery." Motor Authority., Nov. 19, 2013 [online], [retrieved on Oct. 9, 2014]. Retrieved from the Internet <URL: http://www.motorauthority.com/news/1088577_honda-vezel-unveiled-at-tokyo-motor-show-photo-gallery>.*

(Continued)

Primary Examiner — Philip S Hyder

Assistant Examiner — Darlington Ly

(74) *Attorney, Agent, or Firm* — Westerman, Hattori, Daniels & Adrian, LLP

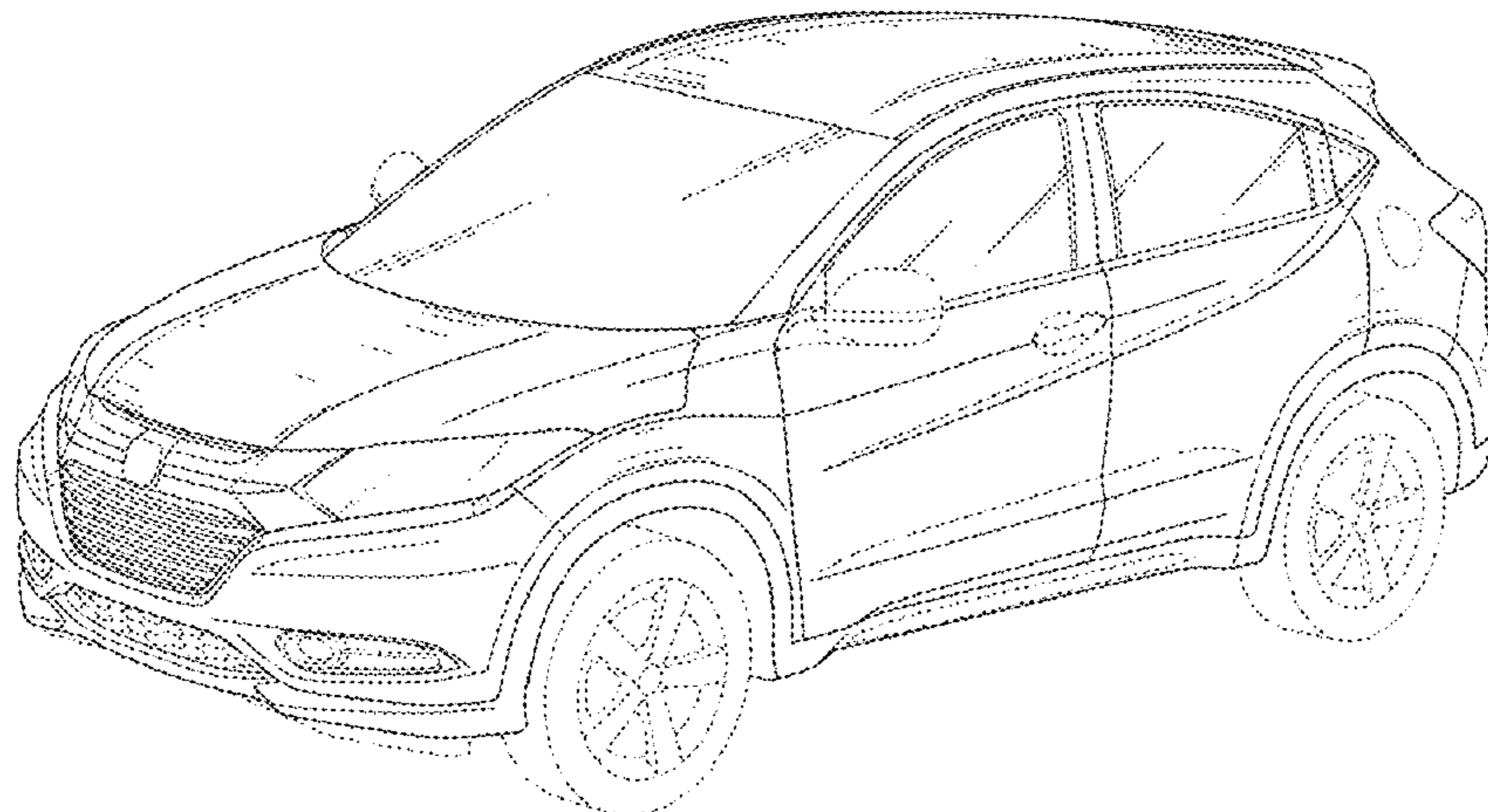
(57) **CLAIM**

The ornamental design for an automobile, toy replica and/or other replicas, as shown and described.

DESCRIPTION

FIG. 1 is a perspective view from the front left side of a first embodiment of an automobile, toy replica and/or other replicas;
FIG. 2 is a perspective view from the front right side thereof.
FIG. 3 is a front elevation view thereof;
FIG. 4 is a rear elevation view thereof;
FIG. 5 is a left side elevation view thereof; and,
FIG. 6 is a right side elevation view thereof.
The broken lines shown in the drawings illustrate portions of the automobile, toy replica, and/or other replicas that forms no part of claimed design.

1 Claim, 6 Drawing Sheets



(56)

References Cited

U.S. PATENT DOCUMENTS

D695,151 S	*	12/2013	Hildebrand et al.	D12/92
D695,645 S	*	12/2013	Tase et al.	D12/91
D701,794 S	*	4/2014	Fetherston et al.	D12/91
D704,098 S	*	5/2014	Gueler et al.	D12/91
D705,699 S	*	5/2014	Ware et al.	D12/91
D708,552 S	*	7/2014	De Bono	D12/91
D710,254 S	*	8/2014	Ramaciotti	D12/91
D711,780 S	*	8/2014	Badstuebner et al.	D12/91
D711,783 S	*	8/2014	Badstuebner	D12/91
D712,789 S	*	9/2014	Bischoff et al.	D12/91

OTHER PUBLICATIONS

Vijayenthiran, Viknesh. "Acura Previews New Compact Crossover In Shanghai: Video." Motor Authority., Apr. 22, 2013 [online],

[retrieved on Oct. 9, 2014]. Retrieved from the Internet <URL: http://www.motorauthority.com/news/1083662_acura-previews-new-compact-crossover-in-shanghai-video>.*

Swan, Tony. "2013 Hyundai Santa Fe." Car and Driver., Apr. 1, 2012 [online], [retrieved on Oct. 9, 2014]. Retrieved from the Internet <URL: <http://www.caranddriver.com/news/2013-hyundai-santa-fe-photos-and-info-news>>.*

Honda, "The world premiere of the concept of new compact SUV "Urban SUV Concept" at the North American International Auto Show 2013", Web URSL: <http://www.honda.co.jp/news/2012/4121212.html>, Dec. 12, 2012 (2 pages).

The Temple of VTEC, "Honda and Acura Enthusiasts Online Forums > Honda teases new small Fit-based CUV Concept for 2013 Detroit Auto Show, "http://vtec.net/forums/one-message? message_id=1118055&news_item_id=1117364, Dec. 13, 2012 (1 page).

* cited by examiner

FIG. 1

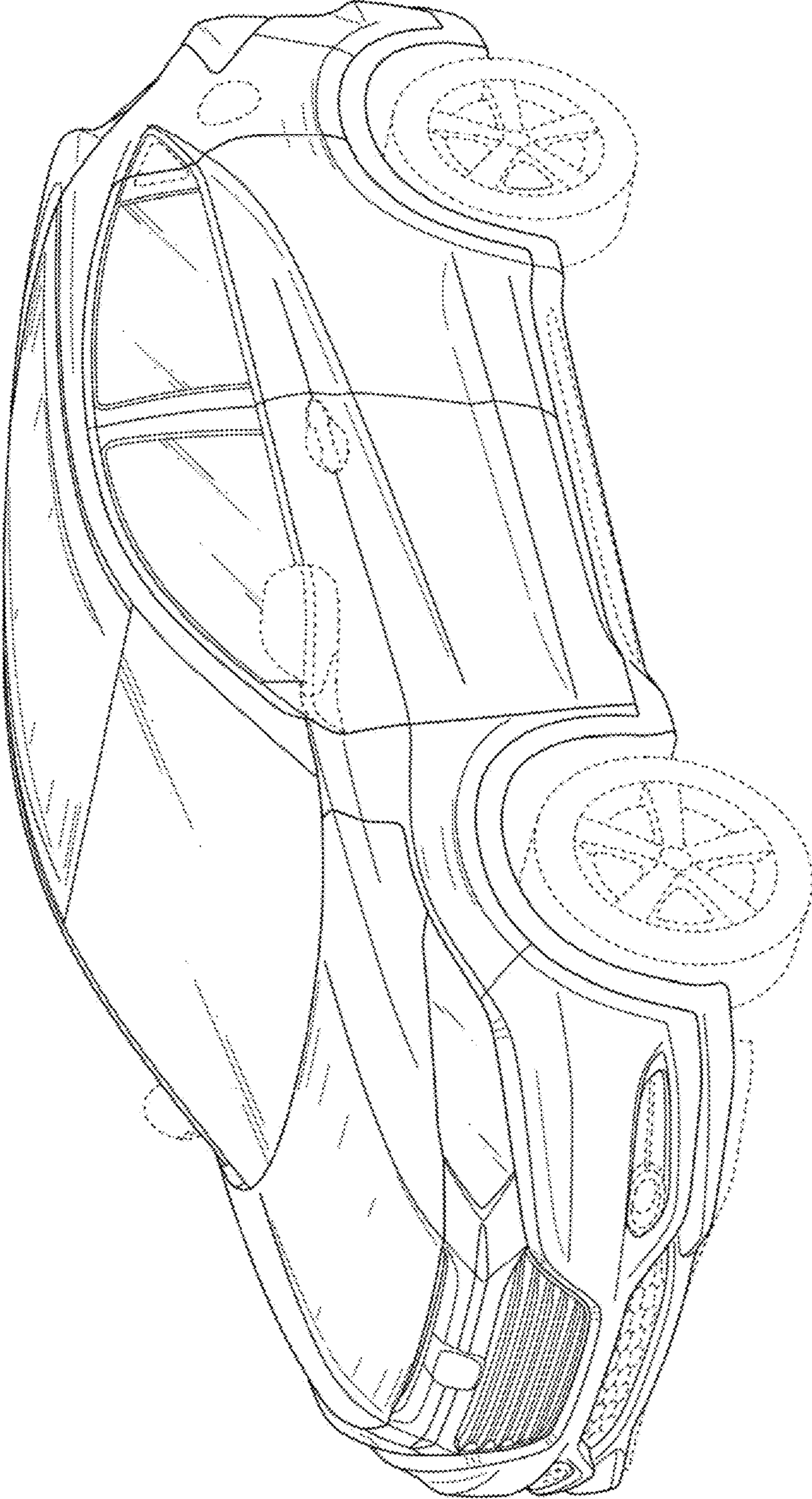


FIG. 2

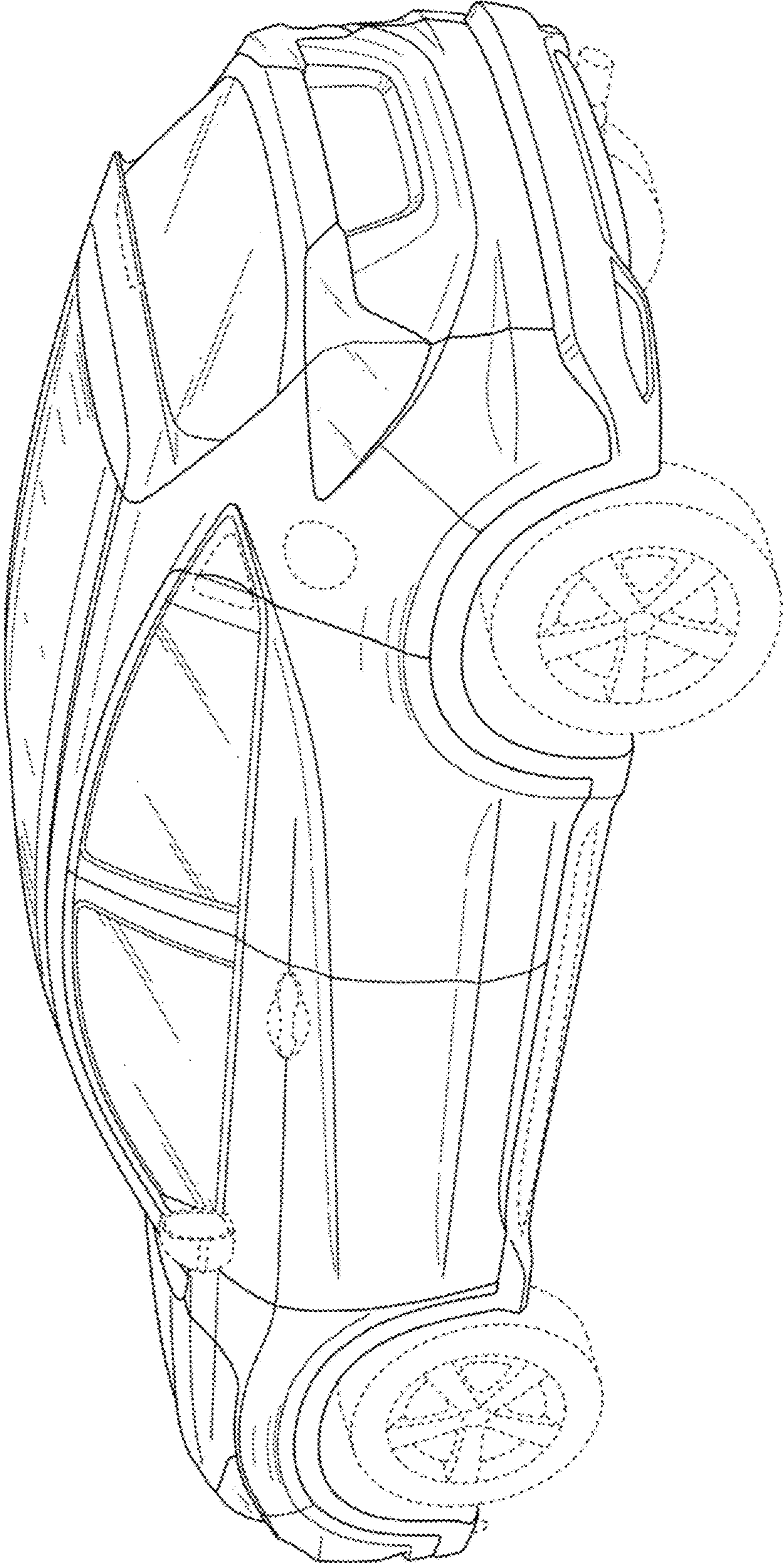


FIG. 3

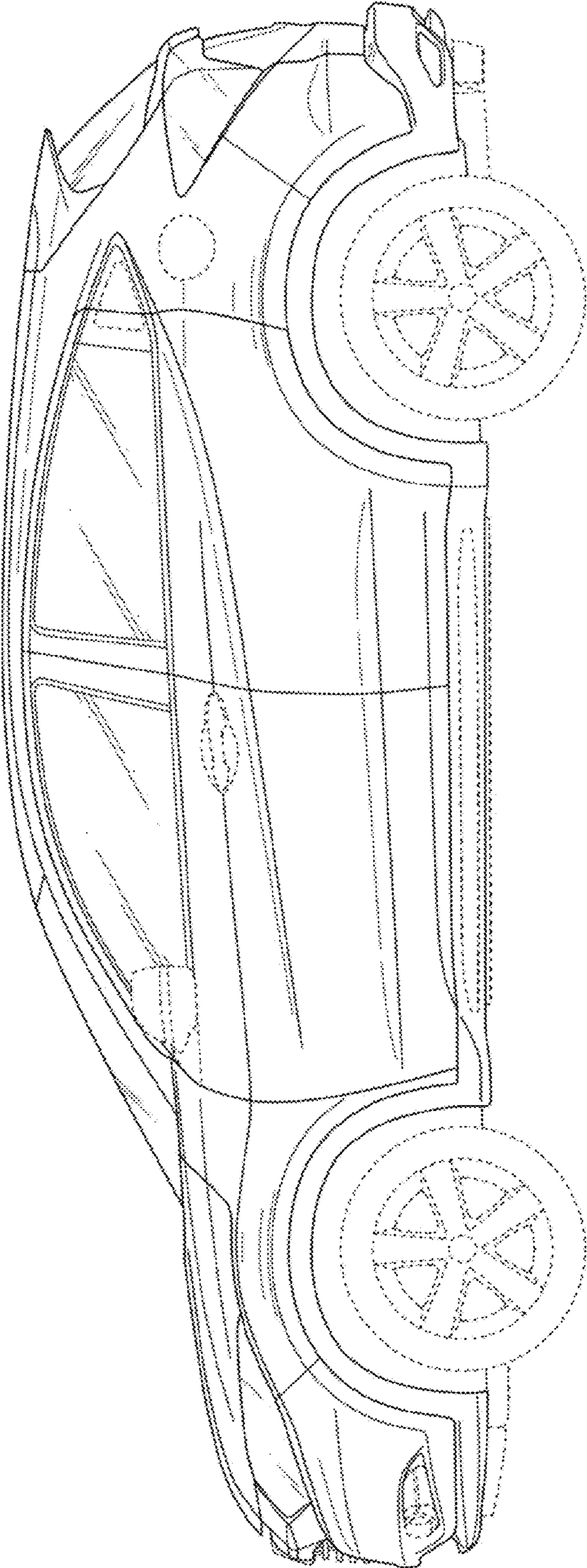


FIG. 4

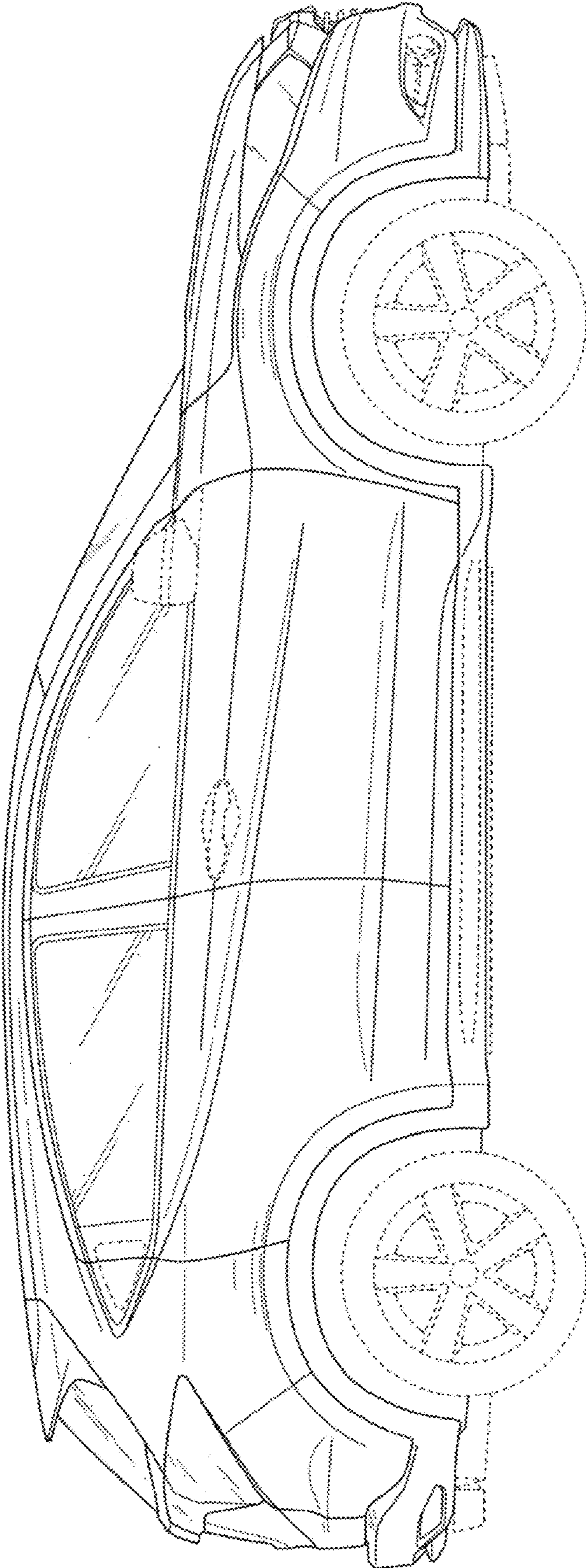


FIG. 5

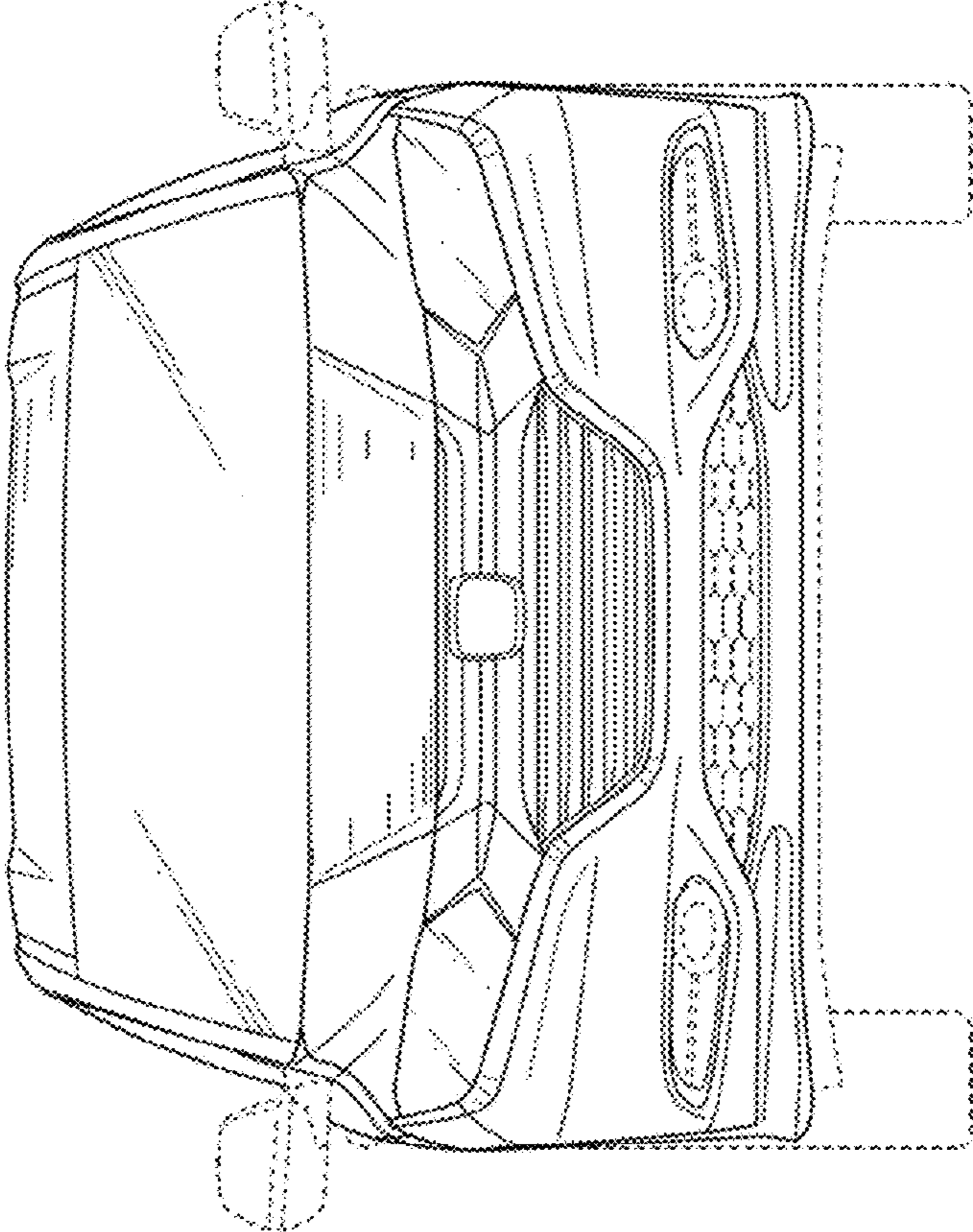


FIG. 6

