



US00D724490S

(12) **United States Design Patent**
Ciloglu et al.

(10) **Patent No.:** **US D724,490 S**
(45) **Date of Patent:** **** Mar. 17, 2015**

(54) **THIRD RAIL BRACKET AND COVERBOARD**

(75) Inventors: **Korhan Ciloglu**, Monroeville, PA (US);
Michael O'Connell, Atlanta, GA (US);
Robert Alsop, Tucker, GA (US)

(73) Assignee: **L.B. Foster Company**, Pittsburgh, PA
(US)

(**) Term: **14 Years**

(21) Appl. No.: **29/367,216**

(22) Filed: **Aug. 4, 2010**

(51) **LOC (10) Cl.** **12-03**

(52) **U.S. Cl.**
USPC **D12/50**

(58) **Field of Classification Search**
USPC D12/51, 50, 49; D8/349; 191/29 R, 30,
191/32, 31, 22 R, 25, 26
See application file for complete search history.

(56) **References Cited**

U.S. PATENT DOCUMENTS

806,152	A *	12/1905	Kober et al.	191/30
908,136	A *	12/1908	Randolph	191/32
1,383,236	A *	6/1921	Rice	191/32
D211,606	S *	7/1968	Harmsen	D12/51
3,575,576	A *	4/1971	Harmsen	191/32
3,614,340	A *	10/1971	Harmsen	191/32
3,927,742	A *	12/1975	Reynolds et al.	191/30
D352,015	S *	11/1994	Esworthy	D12/51
D456,744	S *	5/2002	Shavel et al.	D12/51

7,926,634 B1 * 4/2011 Morales 191/29 R

* cited by examiner

Primary Examiner — T. Chase Nelson

Assistant Examiner — Ania Aman

(74) *Attorney, Agent, or Firm* — Paul D. Bangor, Jr.; Clark Hill PLC

(57) **CLAIM**

The ornamental design for a third rail bracket and coverboard, as shown and described.

DESCRIPTION

FIG. 1 is a perspective view of a third rail bracket and coverboard of the present invention.

FIG. 2 a left elevational view of the third rail bracket and coverboard of FIG. 1.

FIG. 3 is a right elevational view of the third rail bracket and coverboard of FIG. 1.

FIG. 4 is a rear view of the third rail bracket and coverboard of FIG. 1.

FIG. 5 is a front view of the third rail bracket and coverboard of FIG. 1.

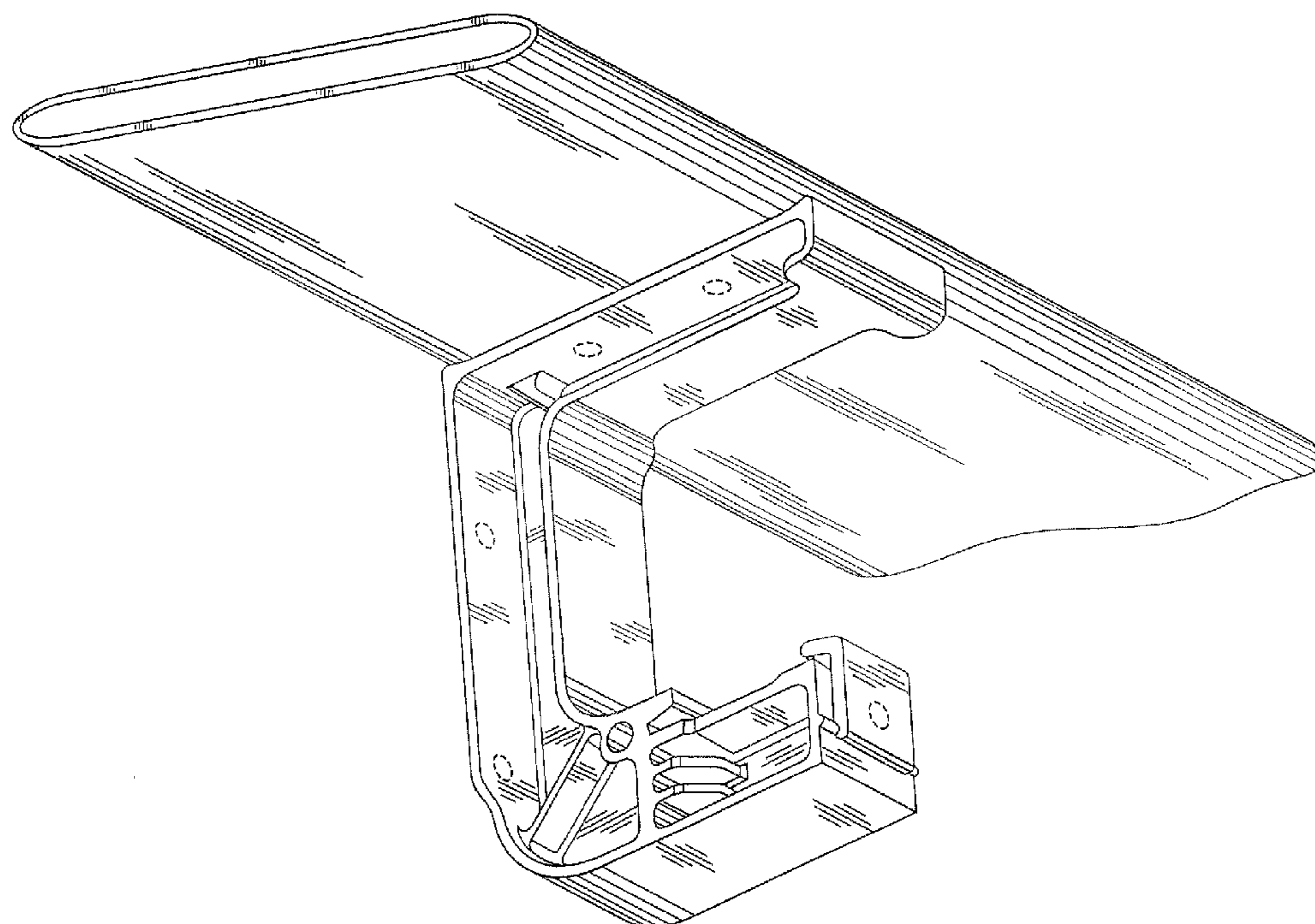
FIG. 6 is a top view of the third rail bracket and coverboard of FIG. 1; and,

FIG. 7 is a bottom view of the third rail bracket and coverboard of FIG. 1.

The broken lines shown in the drawings are included for the purpose of illustrating portions of the article that form no part of the claimed design.

The third rail bracket and coverboard is shown broken away to indicate that any portion of the article beyond what is shown forms no part of the claimed design.

1 Claim, 4 Drawing Sheets



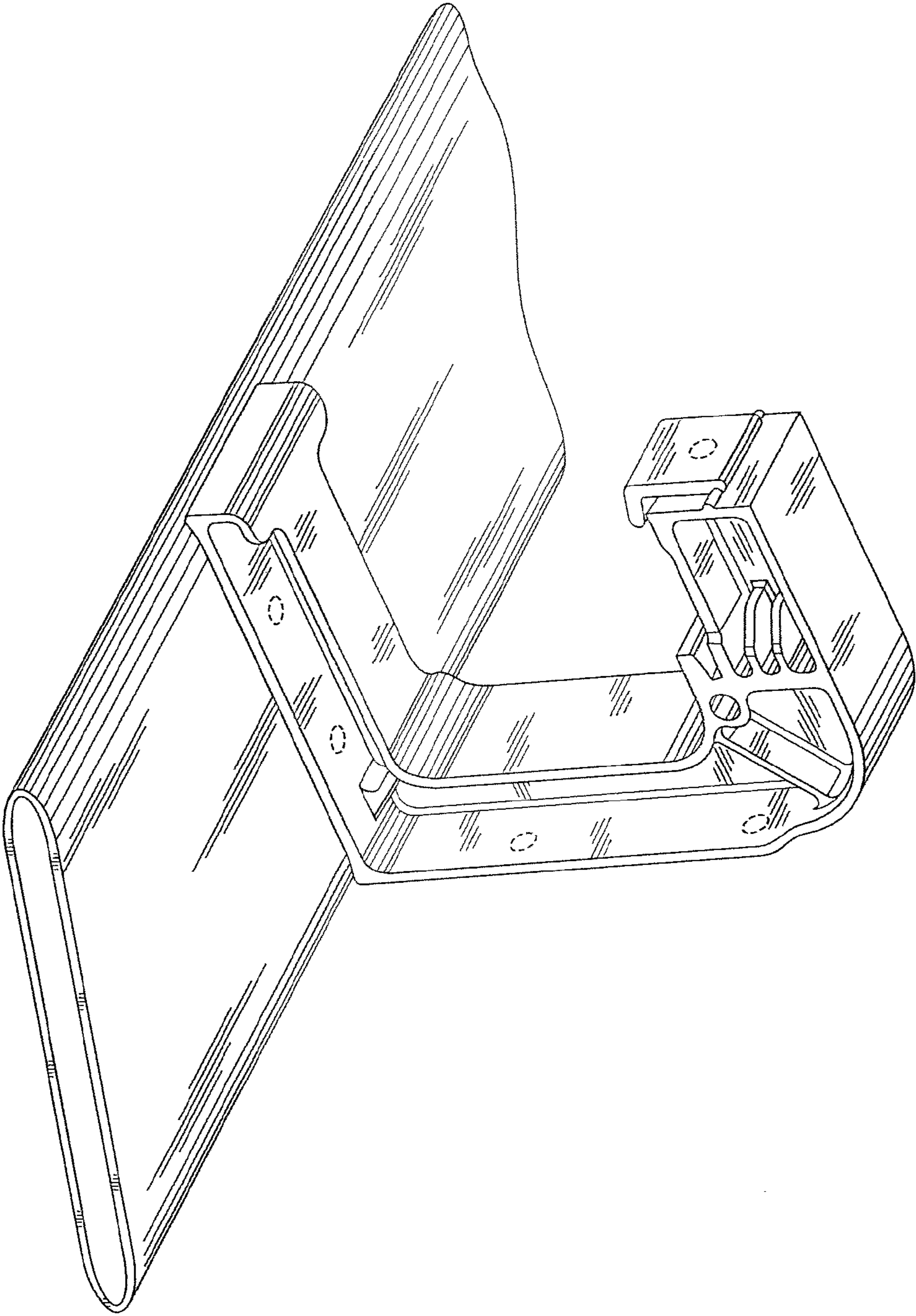


Fig. 1

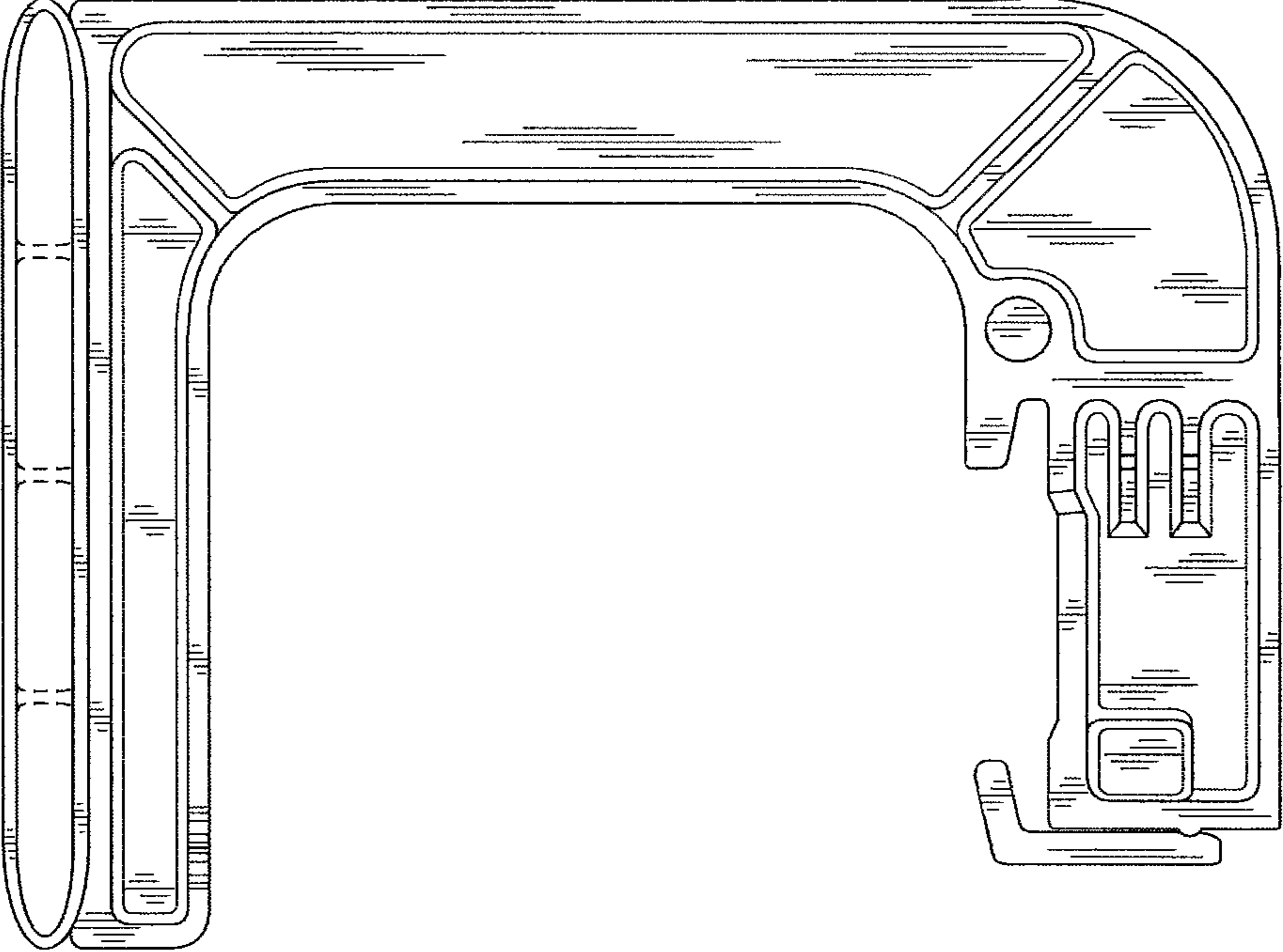


Fig. 3

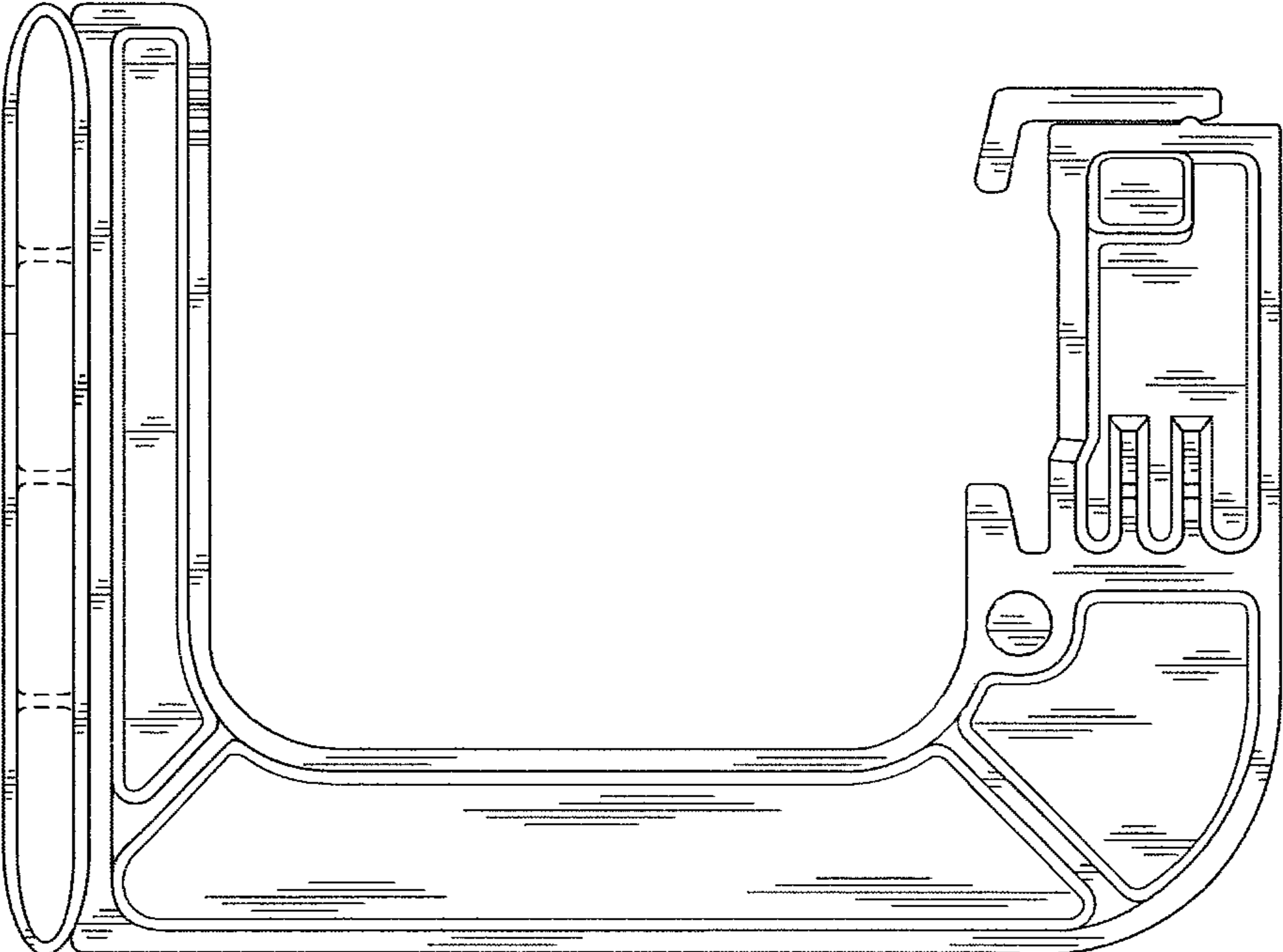


Fig. 2

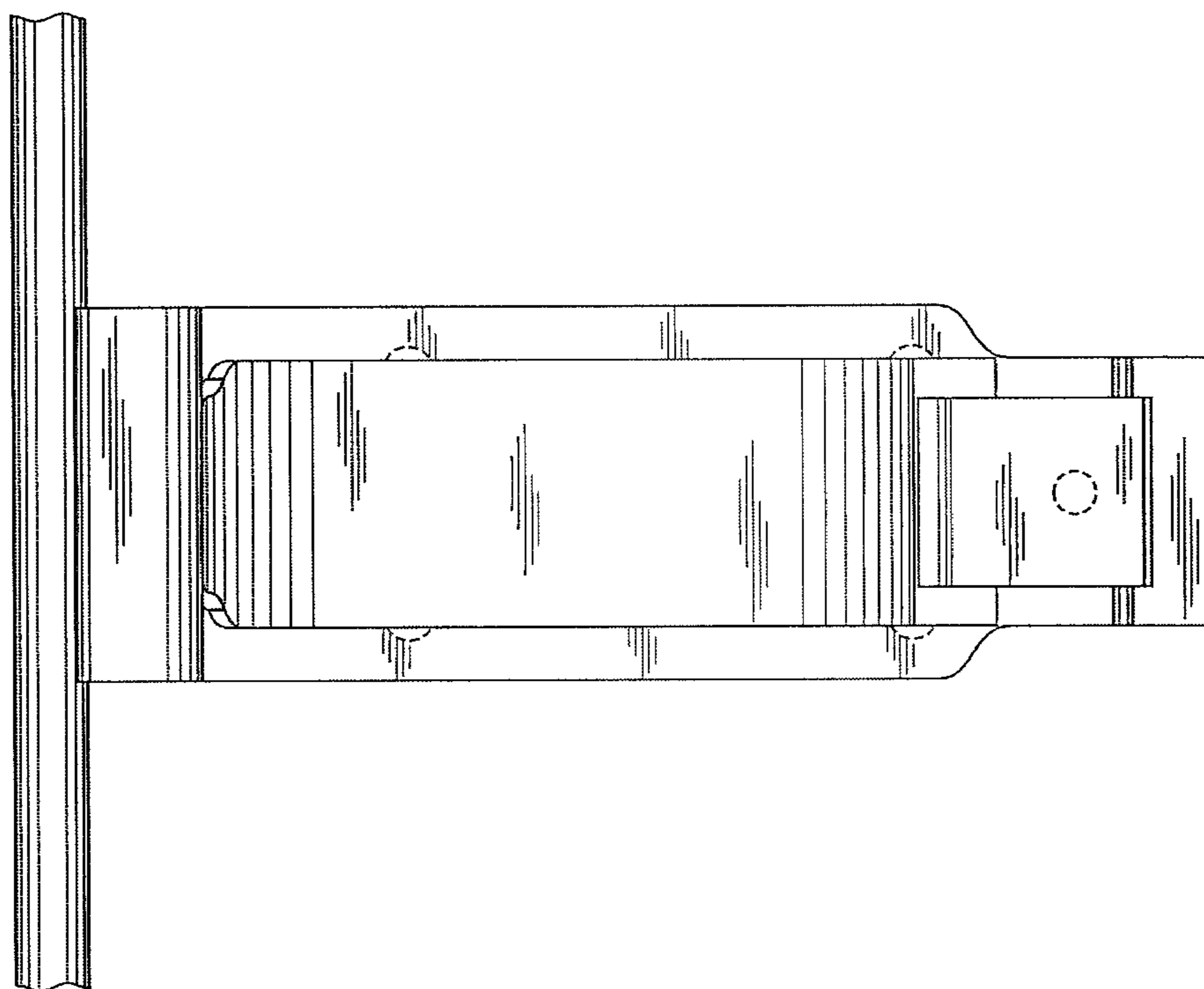


Fig. 5

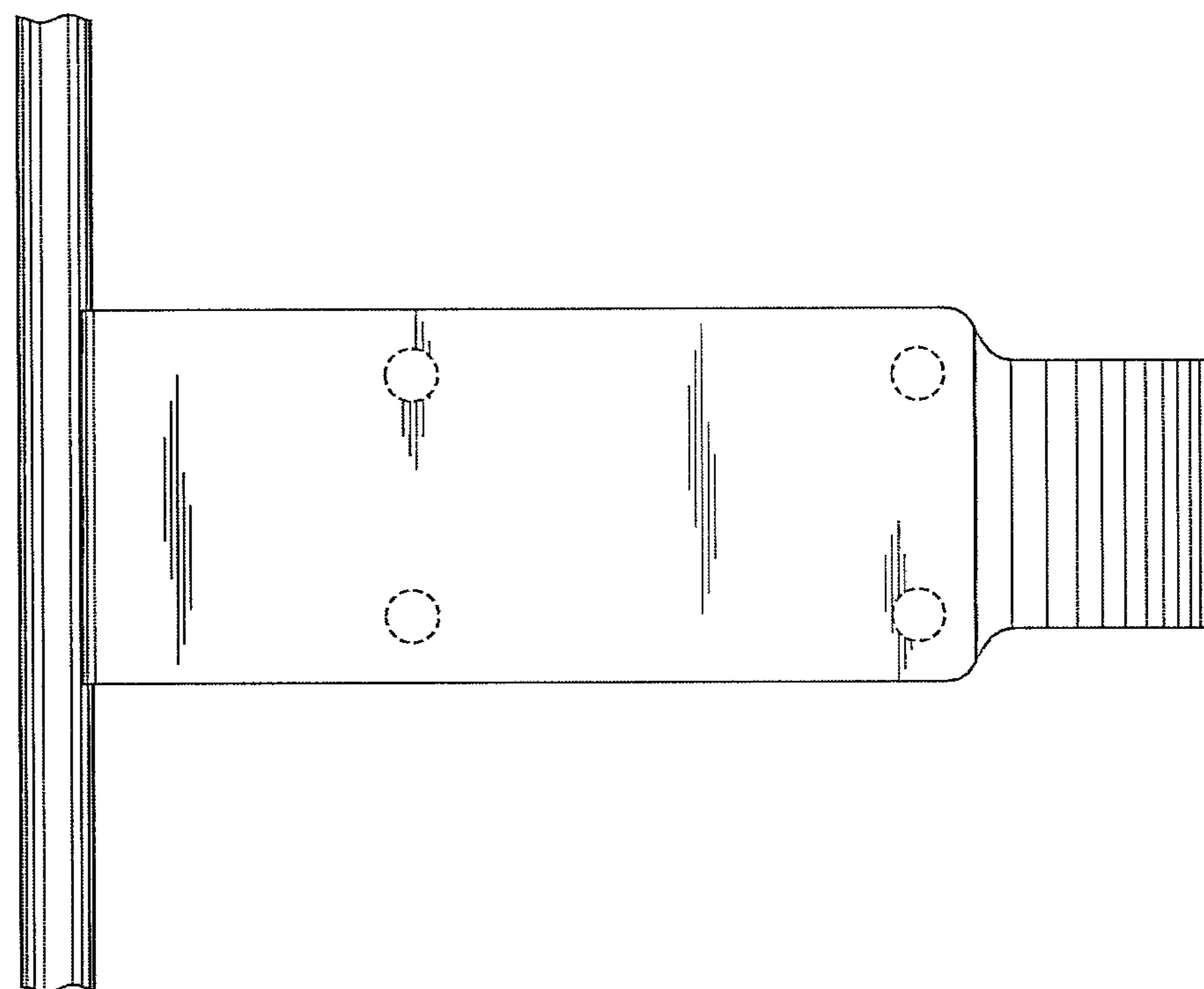


Fig. 4

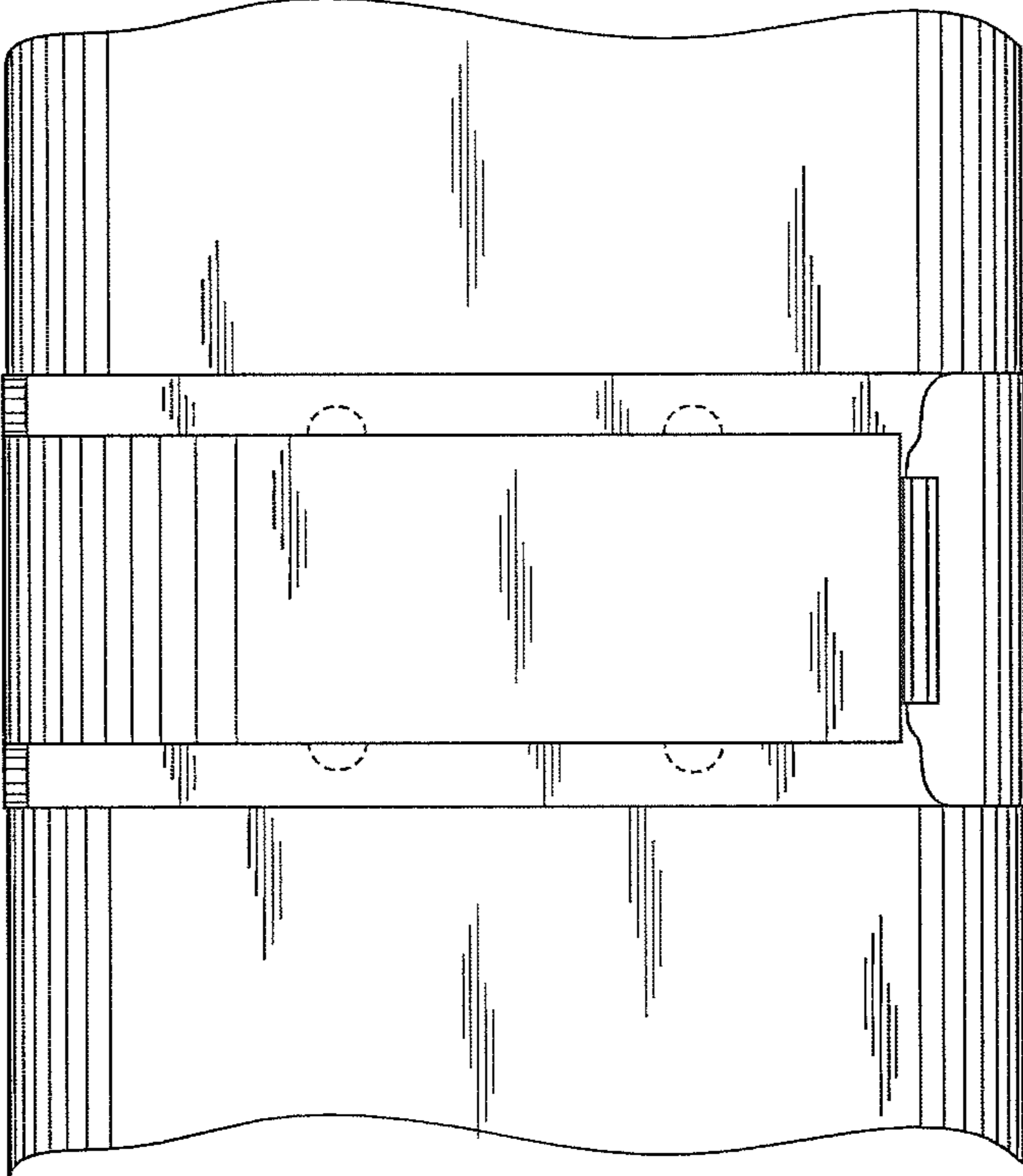


Fig. 7

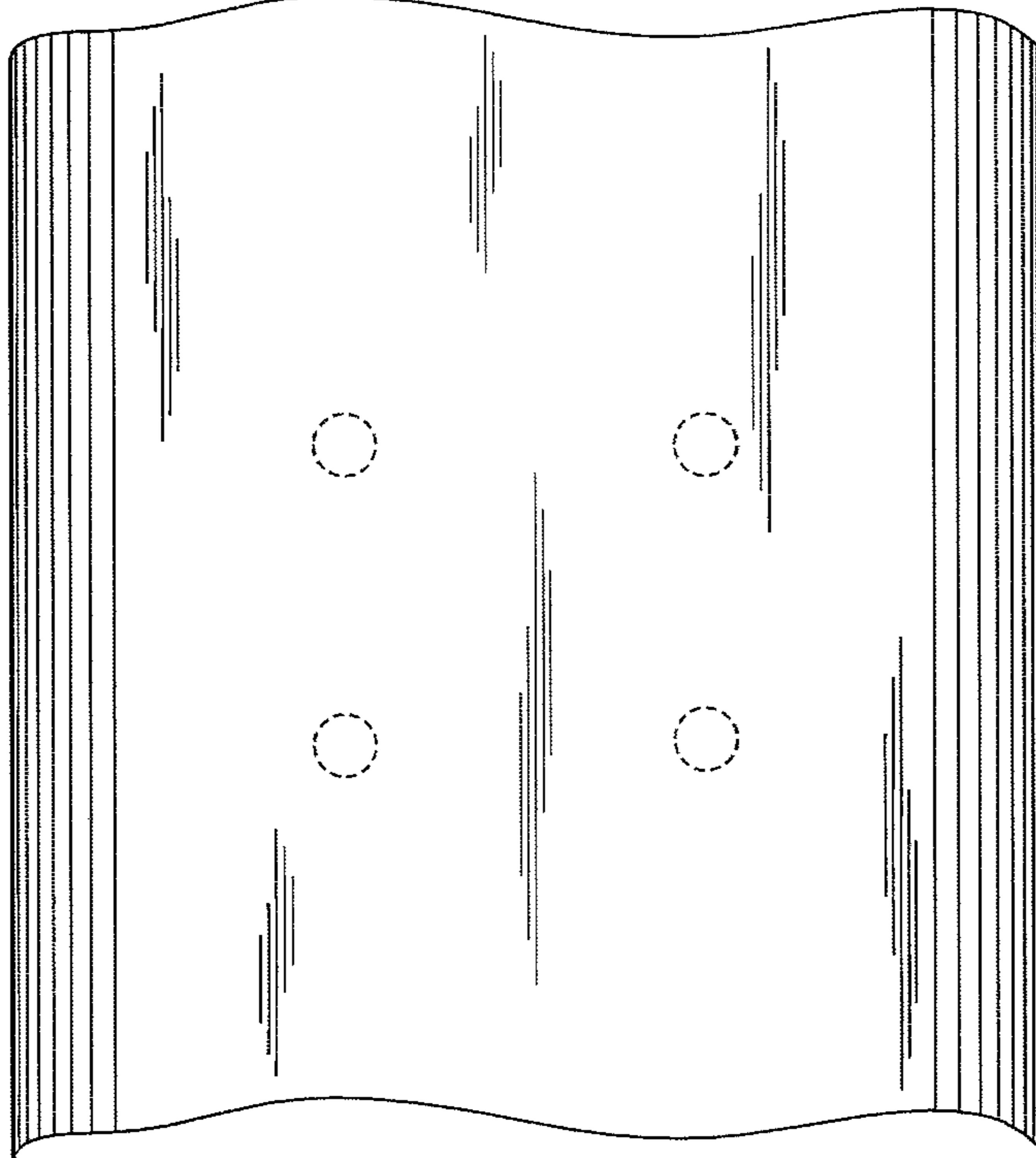


Fig. 6