



US00D724487S

(12) **United States Design Patent**
Dighton et al.

(10) **Patent No.:** **US D724,487 S**
(45) **Date of Patent:** **** Mar. 17, 2015**

(54) **BUTTON AND FASTENER COVER**

(71) Applicants: **Anthony John Dighton**, Orlando, FL
(US); **Jessica Brooke Dighton**, Orlando,
FL (US)

(72) Inventors: **Anthony John Dighton**, Orlando, FL
(US); **Jessica Brooke Dighton**, Orlando,
FL (US)

(73) Assignee: **Lickety Klip Wear, Inc.**, Orlando, FL
(US)

(**) Term: **14 Years**

(21) Appl. No.: **29/474,250**

(22) Filed: **Jul. 23, 2014**

(51) **LOC (10) Cl.** **02-07**

(52) **U.S. Cl.**
USPC **D11/222**

(58) **Field of Classification Search**
USPC D11/200–237, 78, 78.1; D6/601, 607,
D6/610–611, 541; 24/90.5, 113 MP, 113 R,
24/102 SL, 67.9; 40/315; 63/1.17, 14.1,
63/33, 1.18; D2/639; D3/208, 215, 249;
D19/65; D30/136; D8/395; 30/169;
150/137

See application file for complete search history.

(56) **References Cited**

U.S. PATENT DOCUMENTS

D239,147 S *	3/1976	Karlsen	D11/215
D273,821 S *	5/1984	Bianchi	D3/215
D283,844 S *	5/1986	Saad et al.	D11/78.1
D288,185 S *	2/1987	Derosa	D11/226
D292,071 S *	9/1987	Weir	D6/541
D349,398 S *	8/1994	Ezzo	D3/208
D363,453 S *	10/1995	Herdt	D11/78.1
5,621,951 A *	4/1997	Gould	24/90.5
D387,887 S *	12/1997	Jensen	D2/639
D390,493 S *	2/1998	Fletcher	D11/78.1
D400,466 S *	11/1998	Gleason	D11/78.1
D506,783 S *	6/2005	Siegel	D19/65
D531,085 S *	10/2006	Ector-Posey	D11/200

D538,704 S *	3/2007	Kaminski	D11/78.1
D552,008 S *	10/2007	McGarity	D11/78.1
D562,727 S *	2/2008	Berke et al.	D11/200
D566,537 S *	4/2008	Wen-Po	D8/395
D576,912 S *	9/2008	Yuengling	D11/78.1
D581,311 S *	11/2008	Cornett	D11/78.1
D591,044 S *	4/2009	Lakhiani	D3/249
D592,987 S *	5/2009	McGarity et al.	D11/78.1
7,607,193 B1 *	10/2009	Franklin	30/169
D618,136 S *	6/2010	Ward	D11/200
D630,970 S *	1/2011	McNaughton	D11/200
D636,293 S *	4/2011	Dolce et al.	D11/222
D650,951 S *	12/2011	Connelly et al.	D30/136
D651,363 S *	12/2011	Connelly et al.	D30/136
D653,017 S *	1/2012	Hamlin	D2/639
D677,193 S *	3/2013	MacDonald	D11/78.1
D688,586 S *	8/2013	Diehl	D11/78.1
D707,584 S *	6/2014	Webb	D11/87
D708,420 S *	7/2014	Rosales	D2/639
D712,308 S *	9/2014	Weber et al.	D11/222
D715,631 S *	10/2014	Szymanski	D8/395
8,914,949 B2 *	12/2014	Thomson et al.	24/67.9
2004/0226145 A1 *	11/2004	Ouellette et al.	24/113 MP
2010/0078101 A1 *	4/2010	Styron et al.	150/137
2012/0117763 A1 *	5/2012	Patel	24/102 SL
2012/0240356 A1 *	9/2012	Nathanson	24/113 R

* cited by examiner

Primary Examiner — T. Chase Nelson

Assistant Examiner — Mark Cavanna

(74) *Attorney, Agent, or Firm* — Mitchell J. Mehlman, Esq.

(57) **CLAIM**

The ornamental design for a button and fastener cover, as shown and described.

DESCRIPTION

FIG. 1 is a perspective view of a button and fastener cover of my new design.

FIG. 2 is a front view.

FIG. 3 is a back view.

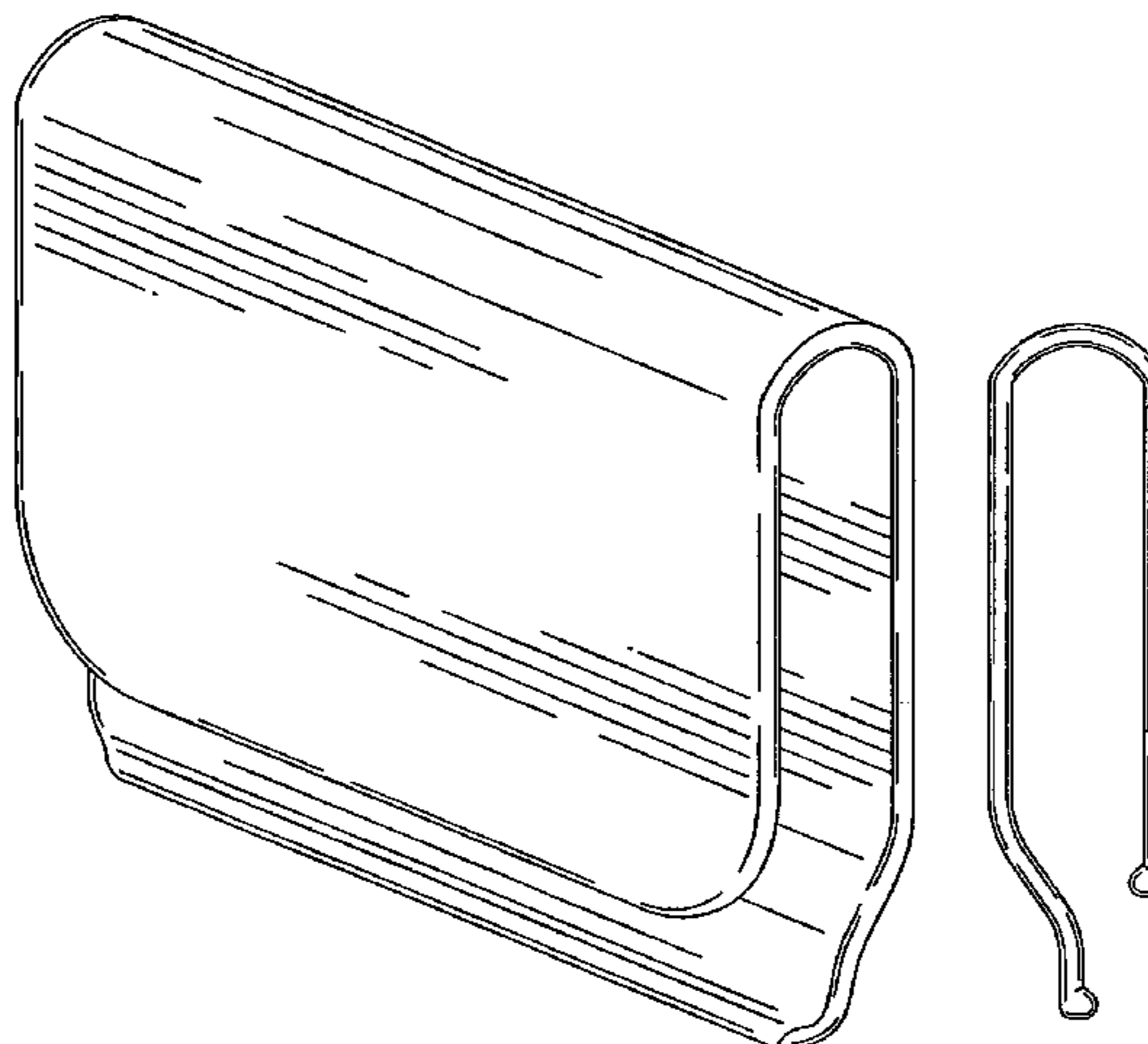
FIG. 4 is a right edge view.

FIG. 5 is a left edge view.

FIG. 6 is a top view; and,

FIG. 7 is a bottom view.

1 Claim, 3 Drawing Sheets



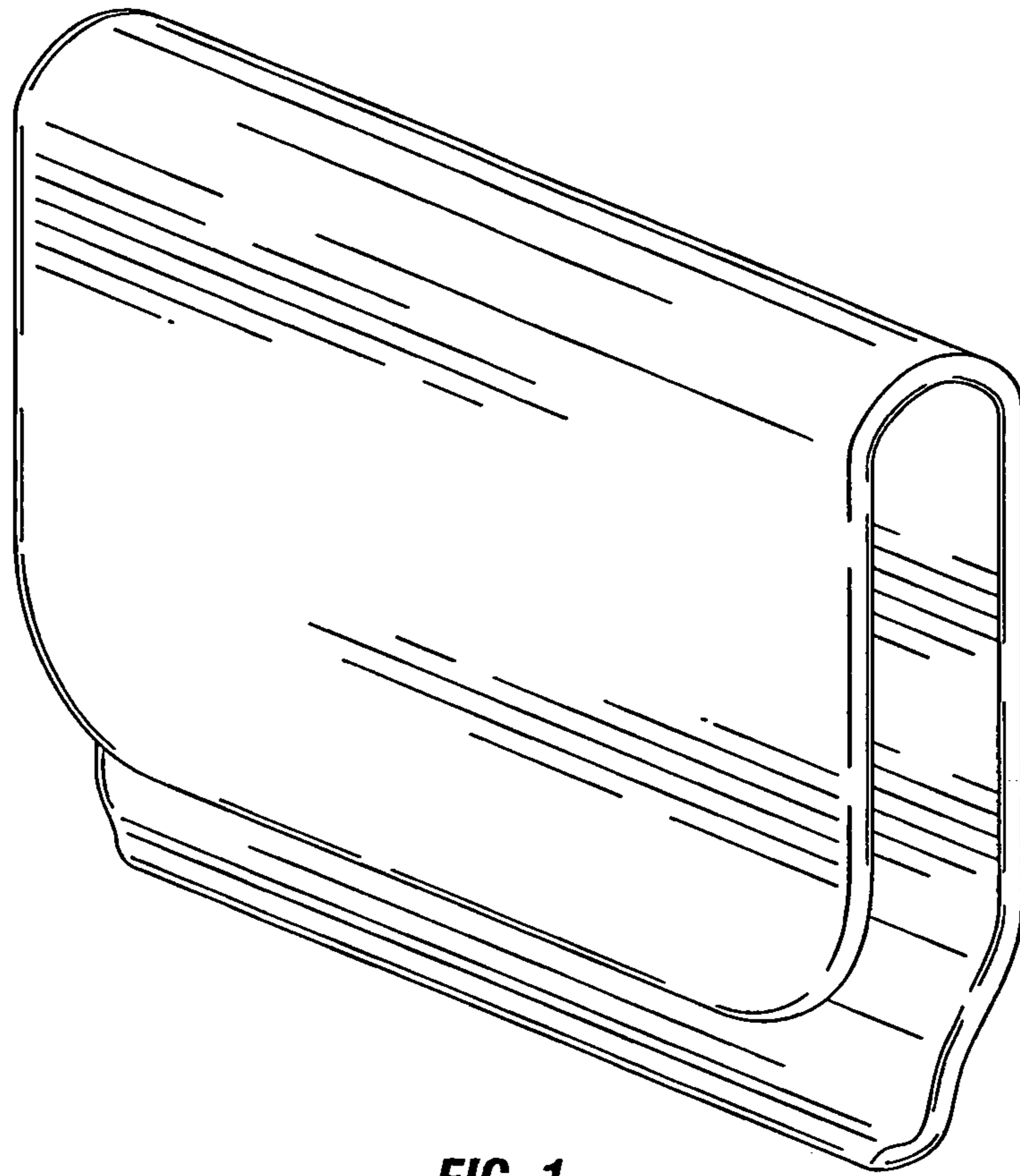


FIG. 1

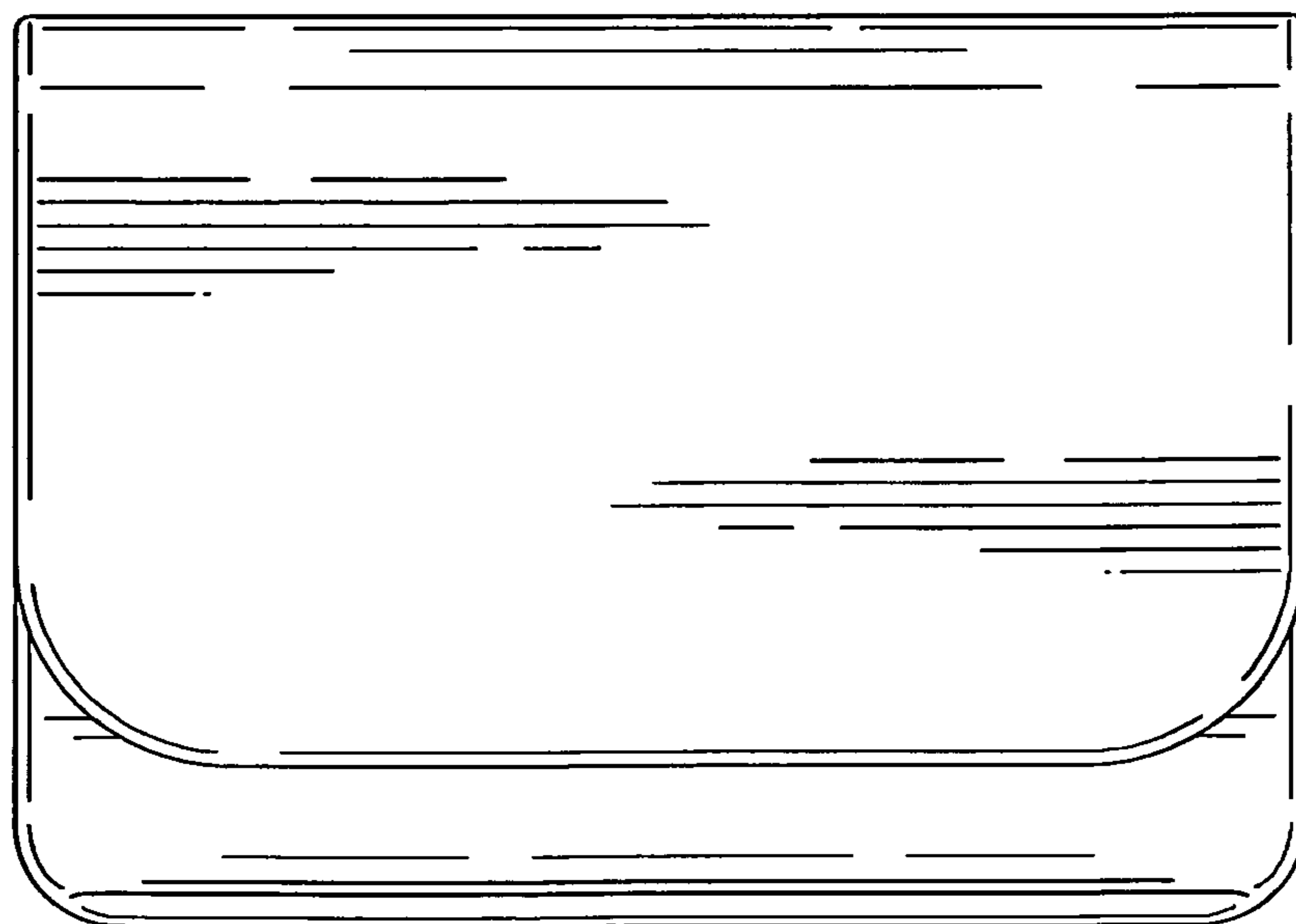


FIG. 2



FIG. 3

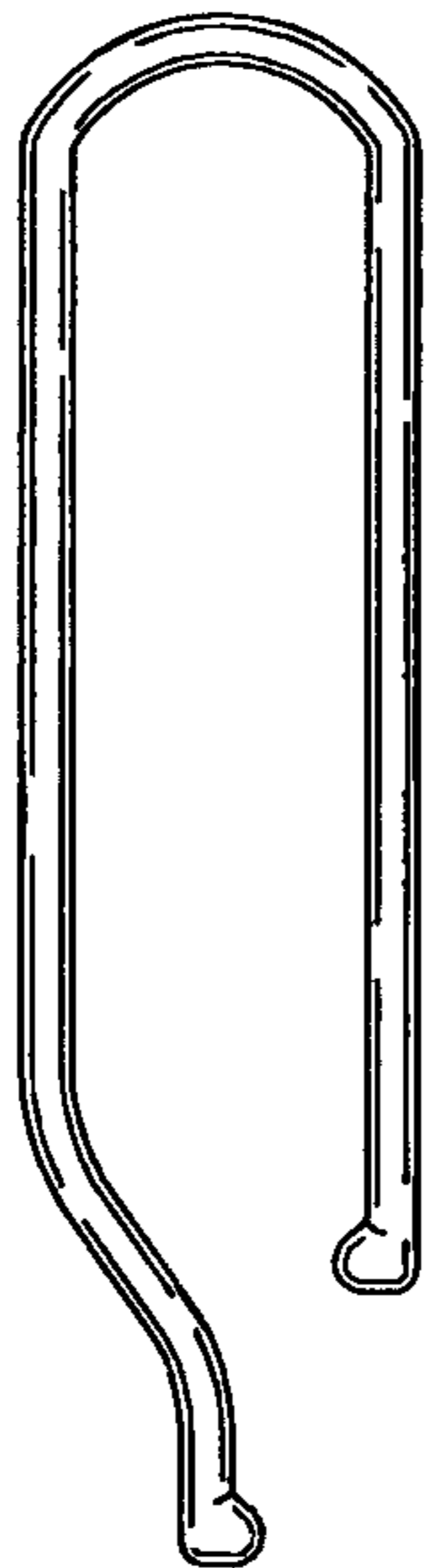


FIG. 4

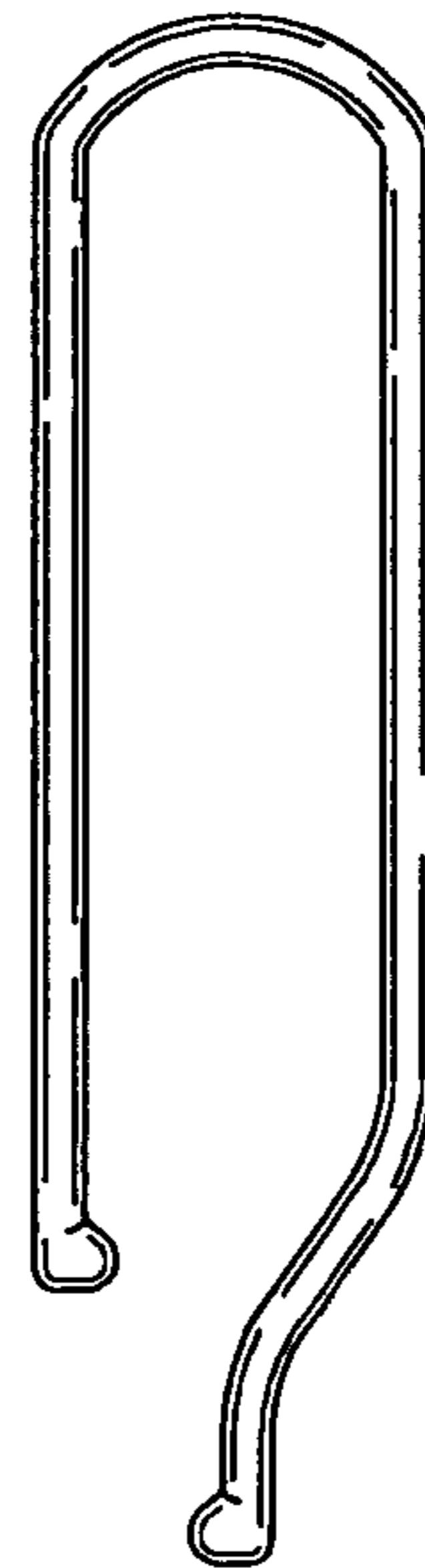


FIG. 5

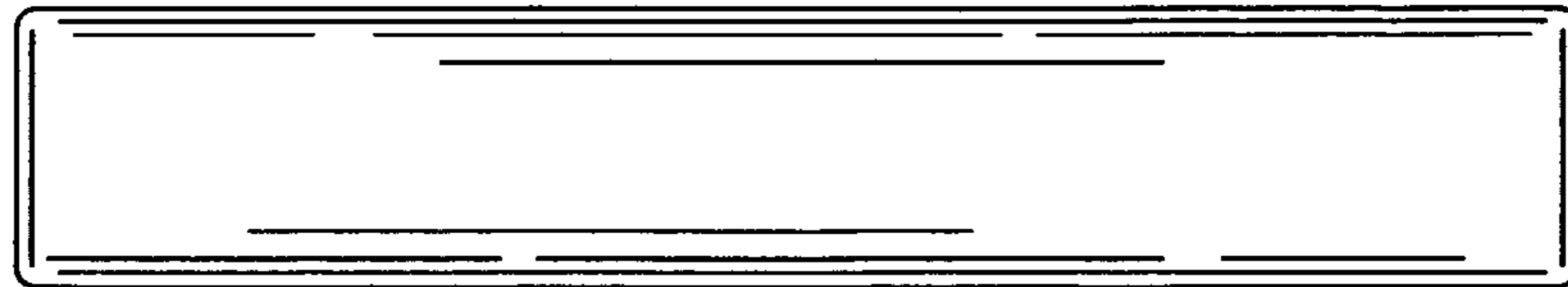


FIG. 6

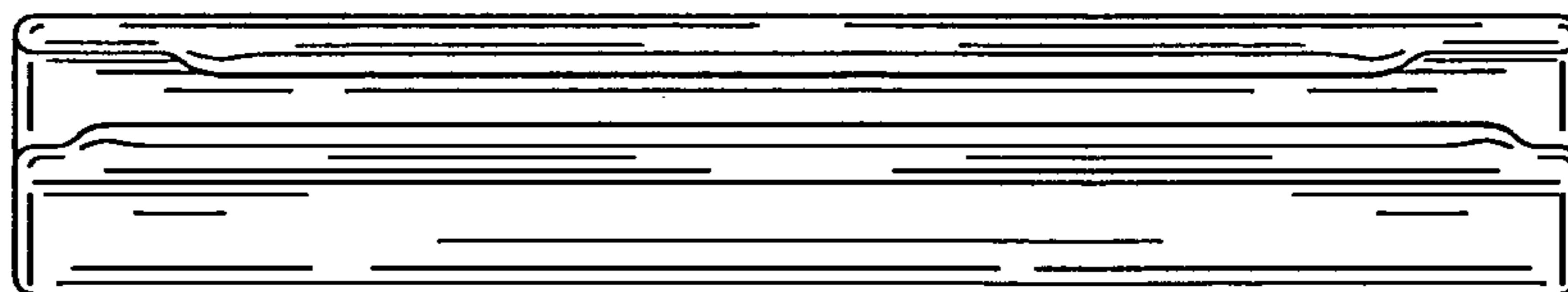


FIG. 7