



US00D724485S

(12) **United States Design Patent**
Mayer et al.

(10) **Patent No.:** **US D724,485 S**
(45) **Date of Patent:** **** Mar. 17, 2015**

- (54) **POSTER SNAP HOUSING**
- (71) Applicant: **American Greetings Corporation**,
Cleveland, OH (US)
- (72) Inventors: **David Mayer**, Bay Village, OH (US);
Lynne Shlonsky, Shaker Heights, OH
(US); **Seth Larson**, Lakewood, OH (US)
- (73) Assignee: **American Greetings Corporation**,
Cleveland, OH (US)

(**) Term: **14 Years**

(21) Appl. No.: **29/449,373**

(22) Filed: **Mar. 15, 2013**

(51) **LOC (10) Cl.** **02-07**

(52) **U.S. Cl.**
USPC **D11/220**

(58) **Field of Classification Search**
CPC A44B 1/08; A44B 17/0088
USPC D11/220, 22, 226, 218; 24/1, 681,
24/689-691, 18, 683, 108, 674, 692,
24/621-623, 671, 662, 618; 292/319;
D8/382

See application file for complete search history.

(56) **References Cited**

U.S. PATENT DOCUMENTS

- 5,428,872 A * 7/1995 Papazian et al. 24/90.1
- 6,247,209 B1 * 6/2001 Pferdehirt 24/113 MP

- 6,266,853 B1 * 7/2001 Ho 24/92
- 7,251,865 B2 * 8/2007 Takamura et al. 24/114.4
- 7,867,964 B2 * 1/2011 McFann et al. 510/141
- 8,336,557 B2 * 12/2012 Kumar et al. 131/111
- 2009/0282873 A1 * 11/2009 Collison 66/33
- 2010/0269306 A1 * 10/2010 Read 24/1
- 2014/0137373 A1 * 5/2014 Villa et al. 24/108

* cited by examiner

Primary Examiner — Zenia Bennett

(74) *Attorney, Agent, or Firm* — Christine Flanagan

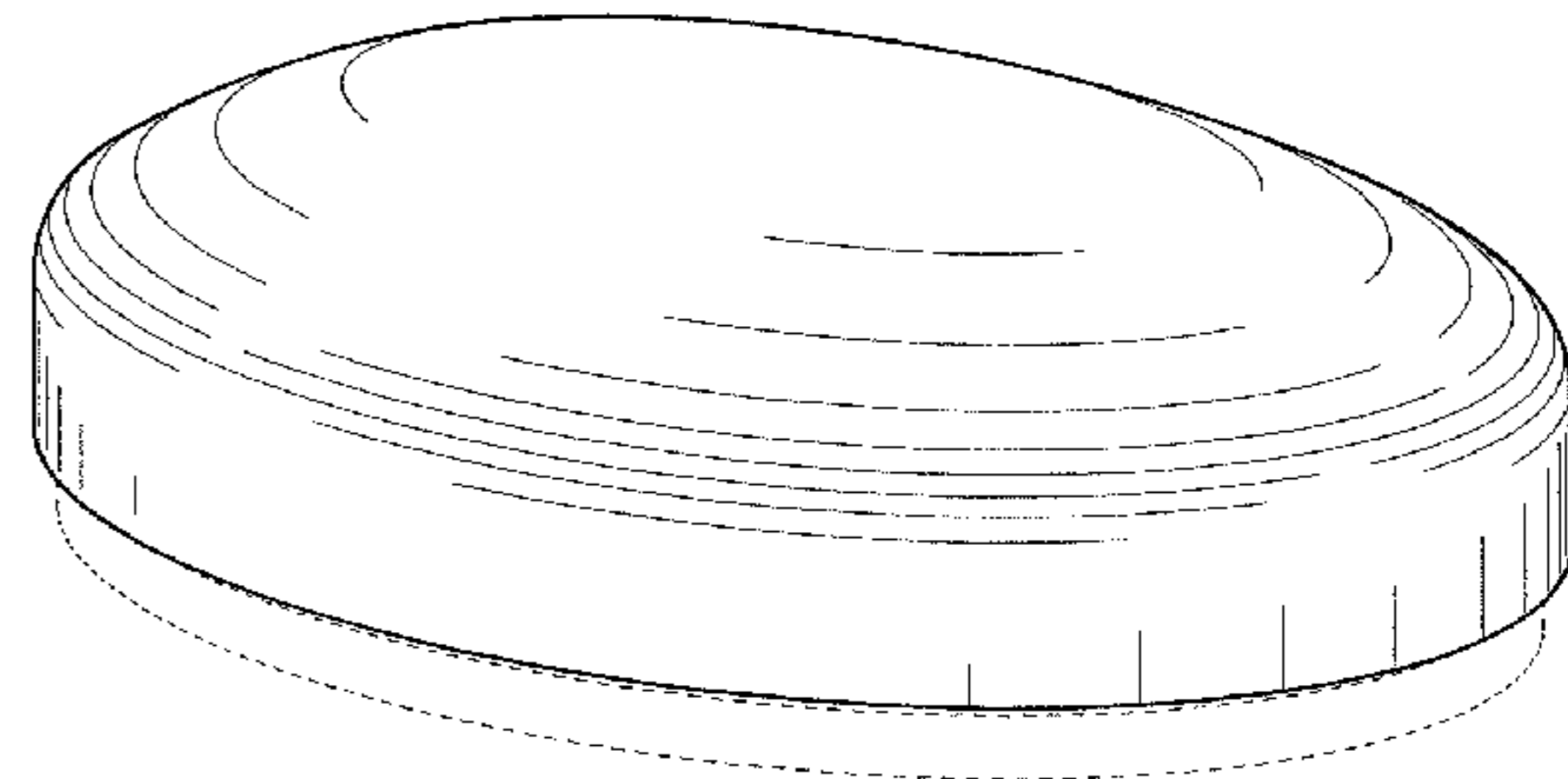
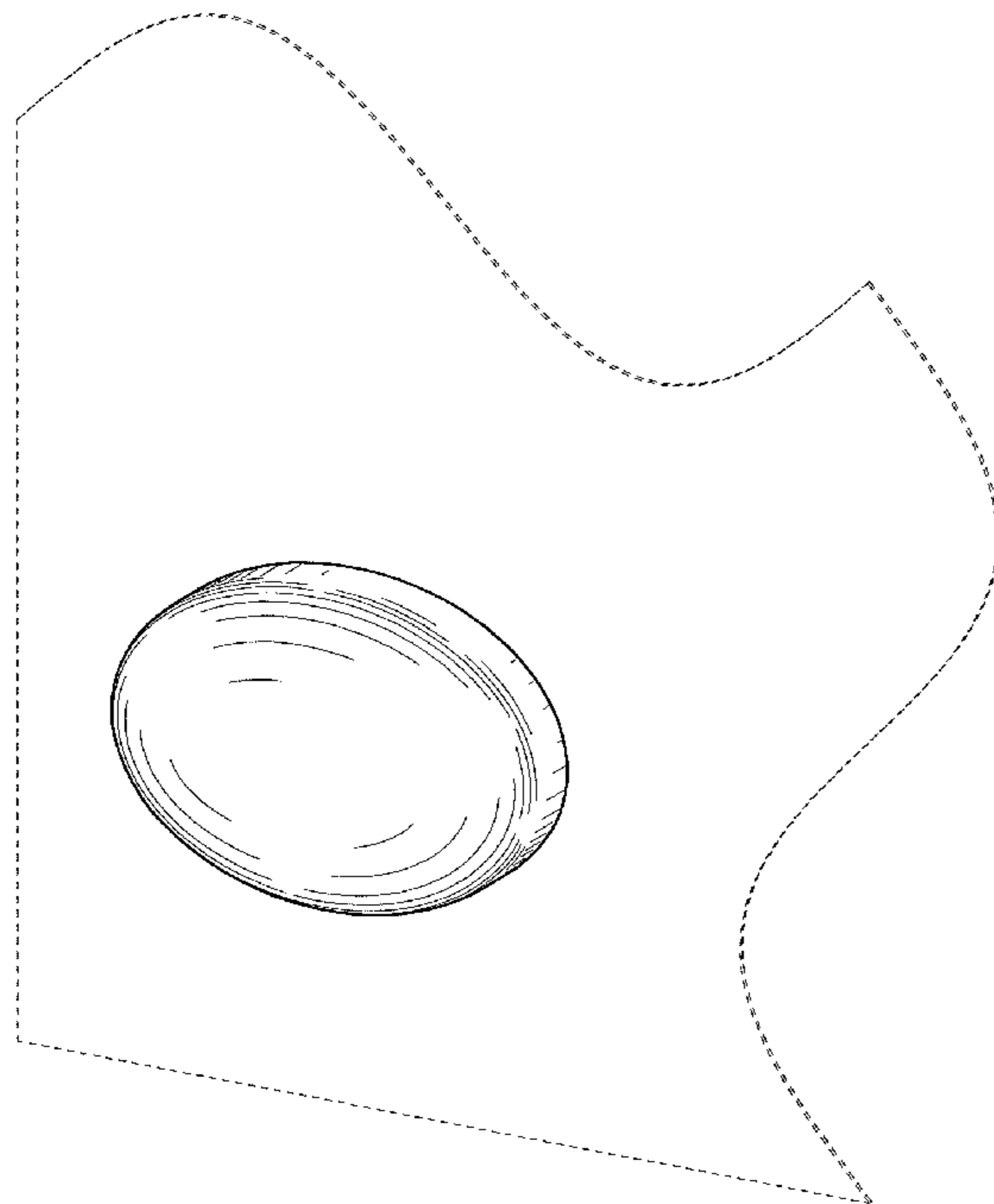
(57) **CLAIM**

The ornamental designs for a poster snap housing, as shown and described.

DESCRIPTION

FIG. 1 is a perspective view of the poster snap housing of the present invention, attached to a poster.
 FIG. 2 is a perspective view of the poster snap housing of FIG. 1.
 FIG. 3 is a front view of the poster snap housing of FIG. 1, the rear view being a mirror image thereof.
 FIG. 4 is a right side view of the poster snap housing of FIG. 1, the left side view being a mirror image thereof.
 FIG. 5 is a top view of the poster snap housing of FIG. 1; and, FIG. 6 is a bottom view of the poster snap housing of FIG. 1. The broken lines in the drawing are for illustrative purposes only and form no part of the claimed design.

1 Claim, 2 Drawing Sheets



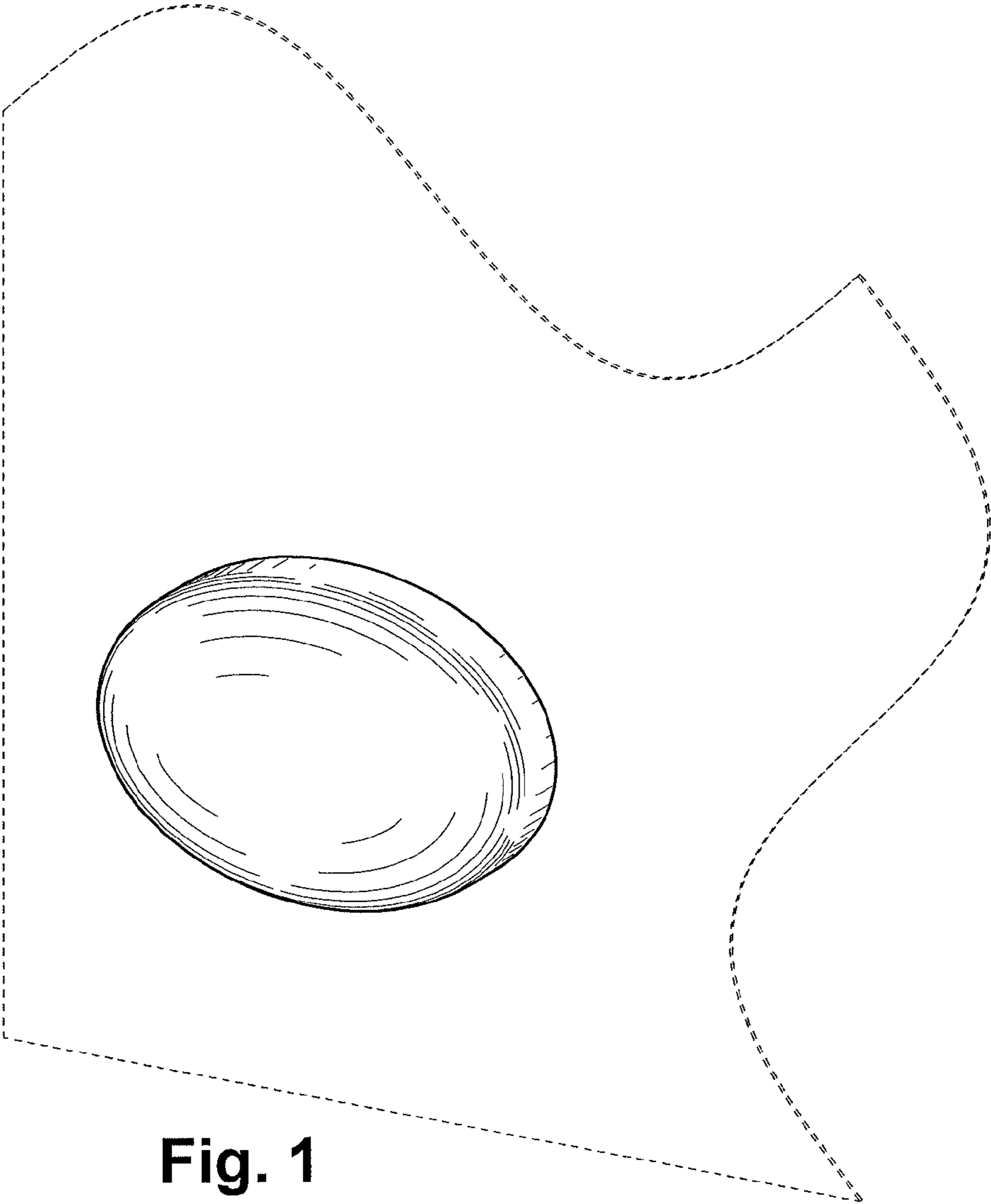


Fig. 1

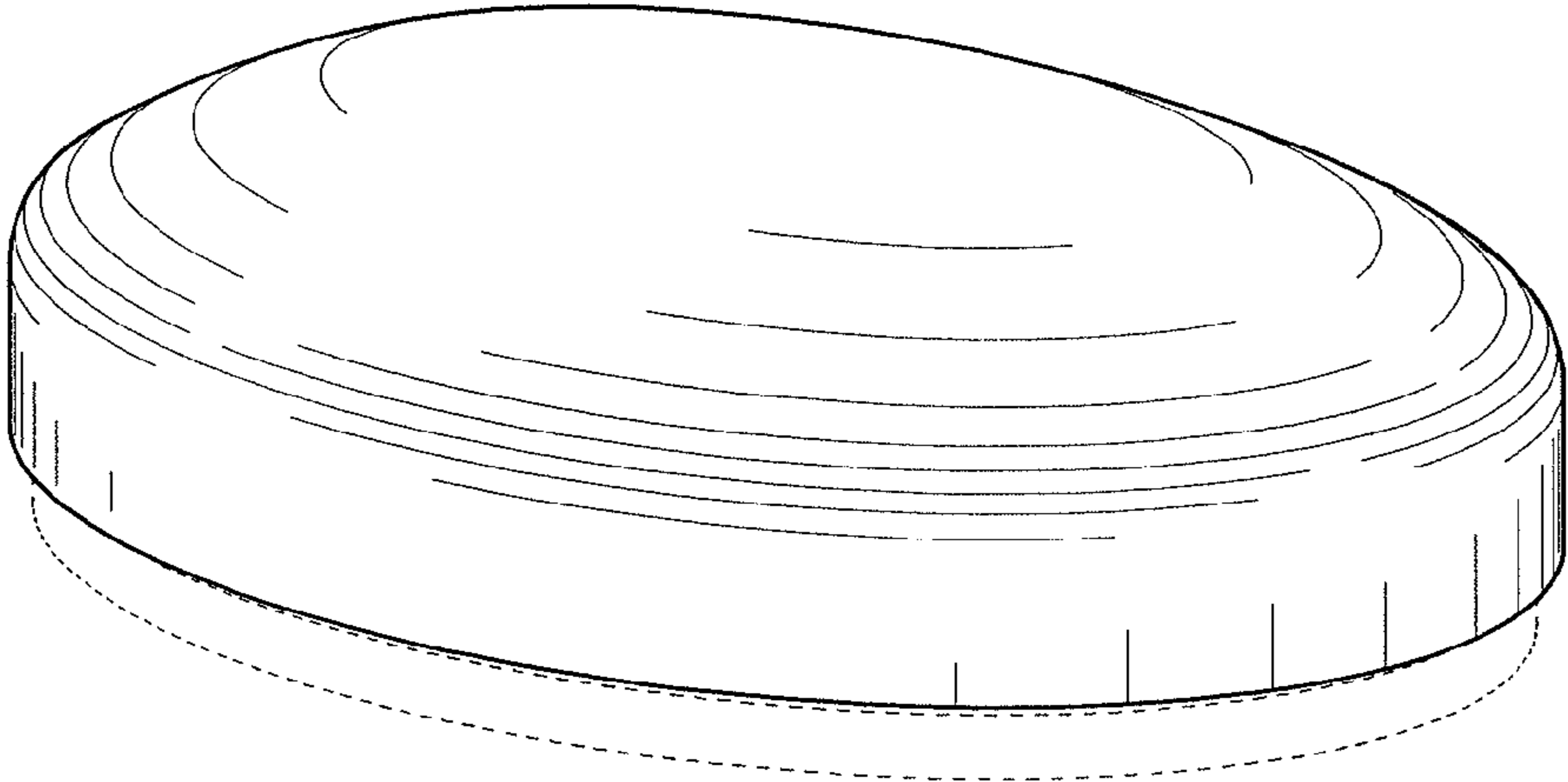


Fig. 2

