



US00D724484S

(12) **United States Design Patent**
Swan et al.

(10) **Patent No.:** **US D724,484 S**
(45) **Date of Patent:** **** Mar. 17, 2015**

(54) **MULTI-PIECE TACTICAL GEAR BELT MOUNT**

D687,509 S * 8/2013 Iannello et al. D22/108
D688,977 S * 9/2013 Mohr D11/218
D699,151 S * 2/2014 Kolasa D11/200
D699,625 S * 2/2014 Grimm et al. D11/218

(71) Applicant: **S & S Precision, LLC**, Virginia Beach, VA (US)

* cited by examiner

(72) Inventors: **Johnny E. Swan**, Virginia Beach, VA (US); **Andrew C. Borland**, Virginia Beach, VA (US); **William-Joseph Basan Elizalde**, Virginia Beach, VA (US)

Primary Examiner — Ralf Seifert

(74) *Attorney, Agent, or Firm* — Kilpatrick Townsend & Stockton LLP

(73) Assignee: **S & S Precision, LLC**, Virginia Beach, VA (US)

(57) **CLAIM**

The ornamental design for a multi-piece tactical gear belt mount, as shown and described.

(**) Term: **14 Years**

DESCRIPTION

(21) Appl. No.: **29/468,032**

FIG. 1 is a front perspective view of a first embodiment of a multi-piece tactical gear belt mount showing our new design; FIG. 2 is a top view thereof; FIG. 3 is a bottom view thereof; FIG. 4 is a front view thereof; FIG. 5 is a back view thereof; FIG. 6 is a right side view thereof; FIG. 7 is a left side view thereof; FIG. 8 is a front perspective view of the embodiment shown in FIG. 1 in a separated configuration; FIG. 9 is a top view thereof in the separated configuration; FIG. 10 is a bottom view thereof in the separated configuration; FIG. 11 is a front view thereof in the separated configuration; FIG. 12 is a rear view thereof in the separated configuration; FIG. 13 is a right side view thereof in the separated configuration; and, FIG. 14 is a left side view thereof in the separated configuration.

(22) Filed: **Sep. 26, 2013**

(51) **LOC (10) Cl.** **02-07**

(52) **U.S. Cl.**
USPC **D11/218**

(58) **Field of Classification Search**
CPC A44B 11/26; A44B 11/25
USPC D11/1-2, 200-201, 206-210, 214-218;
24/163 R, 169-171, 173, 177-179, 191,
24/194-195, 197, 200, 614-616, 625, 198,
24/630; D8/349, 395
See application file for complete search history.

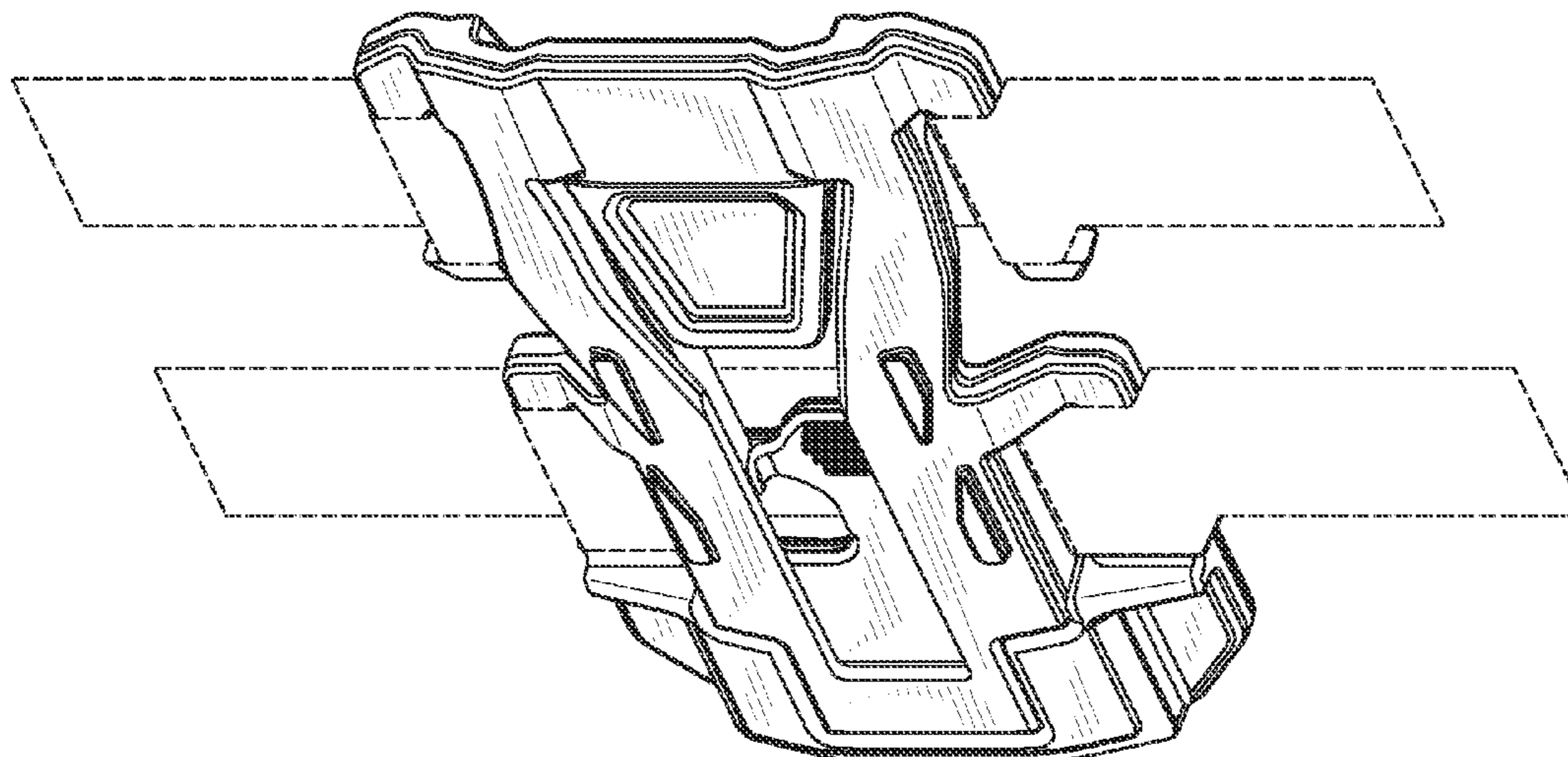
The broken line portions showing webbing in FIGS. 1-14 are shown to illustrate environment only and form no part of the claimed design.

(56) **References Cited**

U.S. PATENT DOCUMENTS

D362,741 S * 10/1995 Hollinger D2/639
D447,979 S * 9/2001 Anscher D11/216
6,351,876 B1 * 3/2002 Uehara 24/625
D591,200 S * 4/2009 Freeman D11/218
D593,403 S * 6/2009 Salentine D8/395
D635,891 S * 4/2011 Grimm et al. D11/216

1 Claim, 7 Drawing Sheets



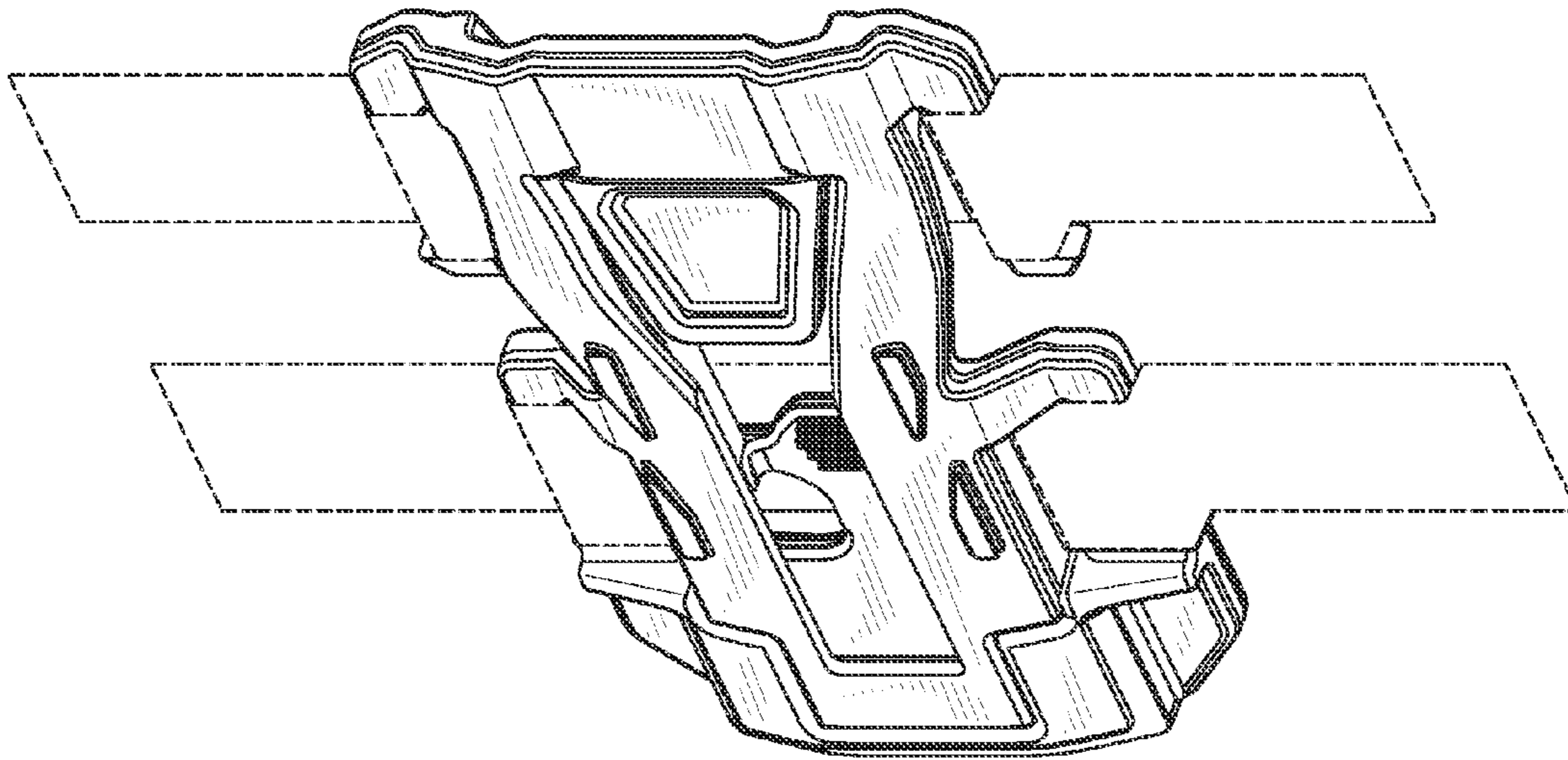


FIG. 1

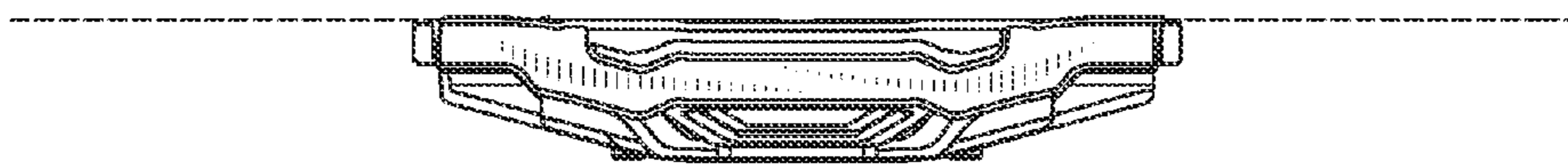


FIG. 2

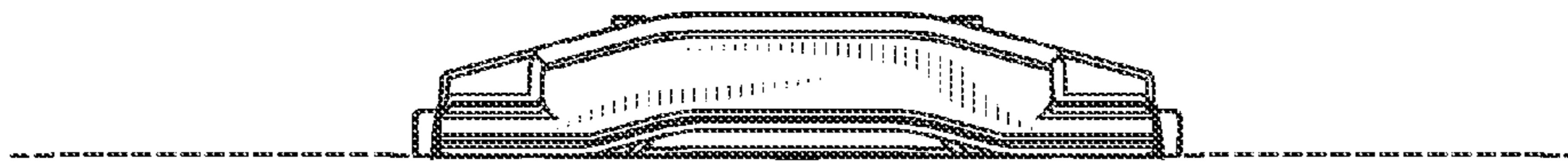


FIG. 3

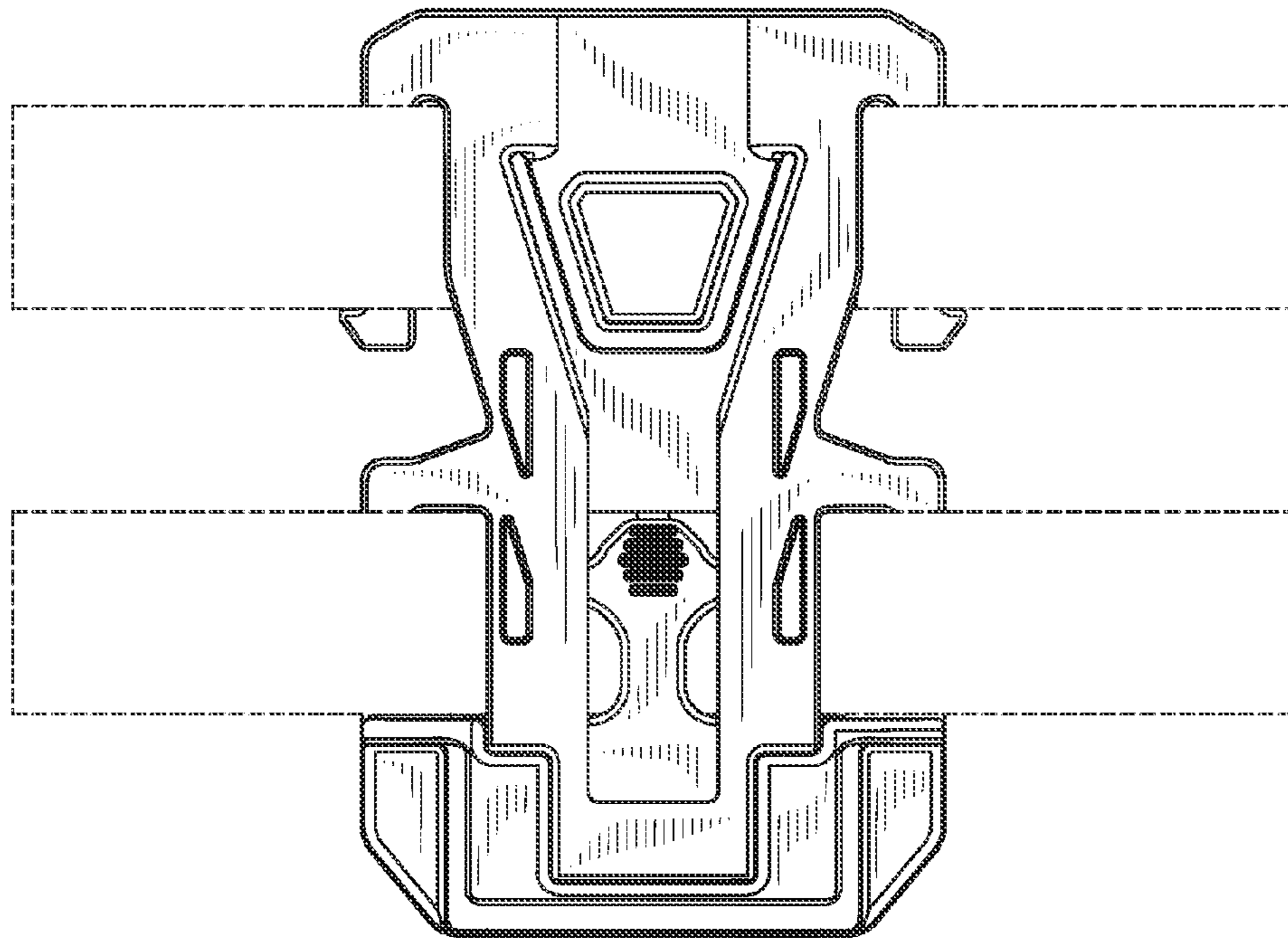


FIG. 4

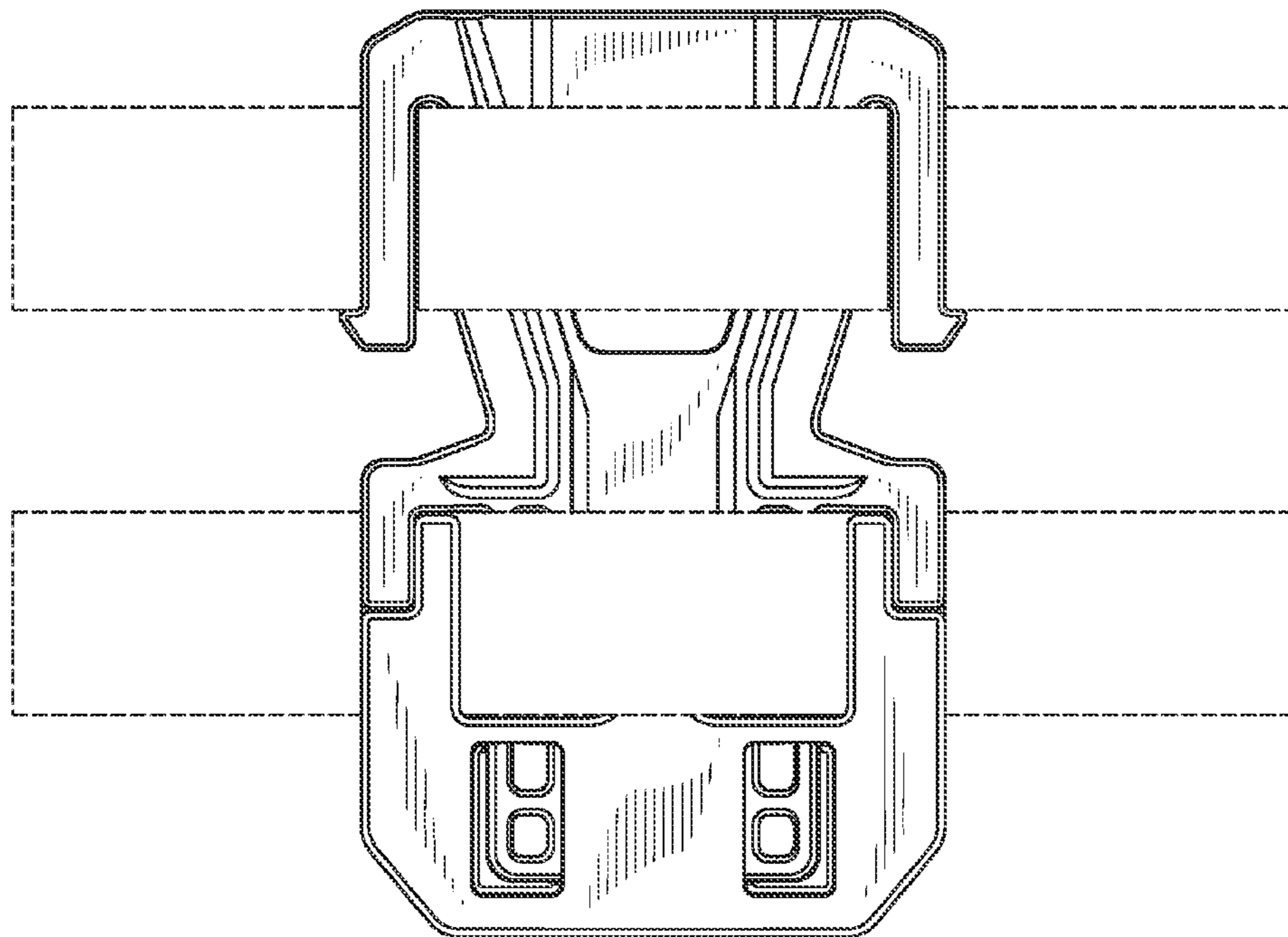


FIG. 5



FIG. 6

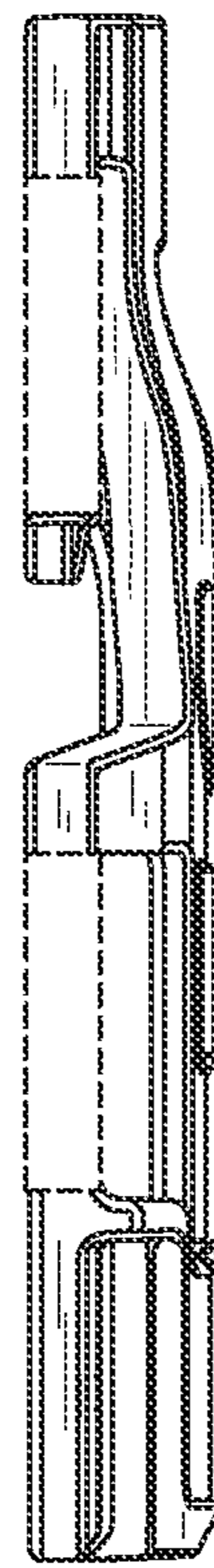


FIG. 7

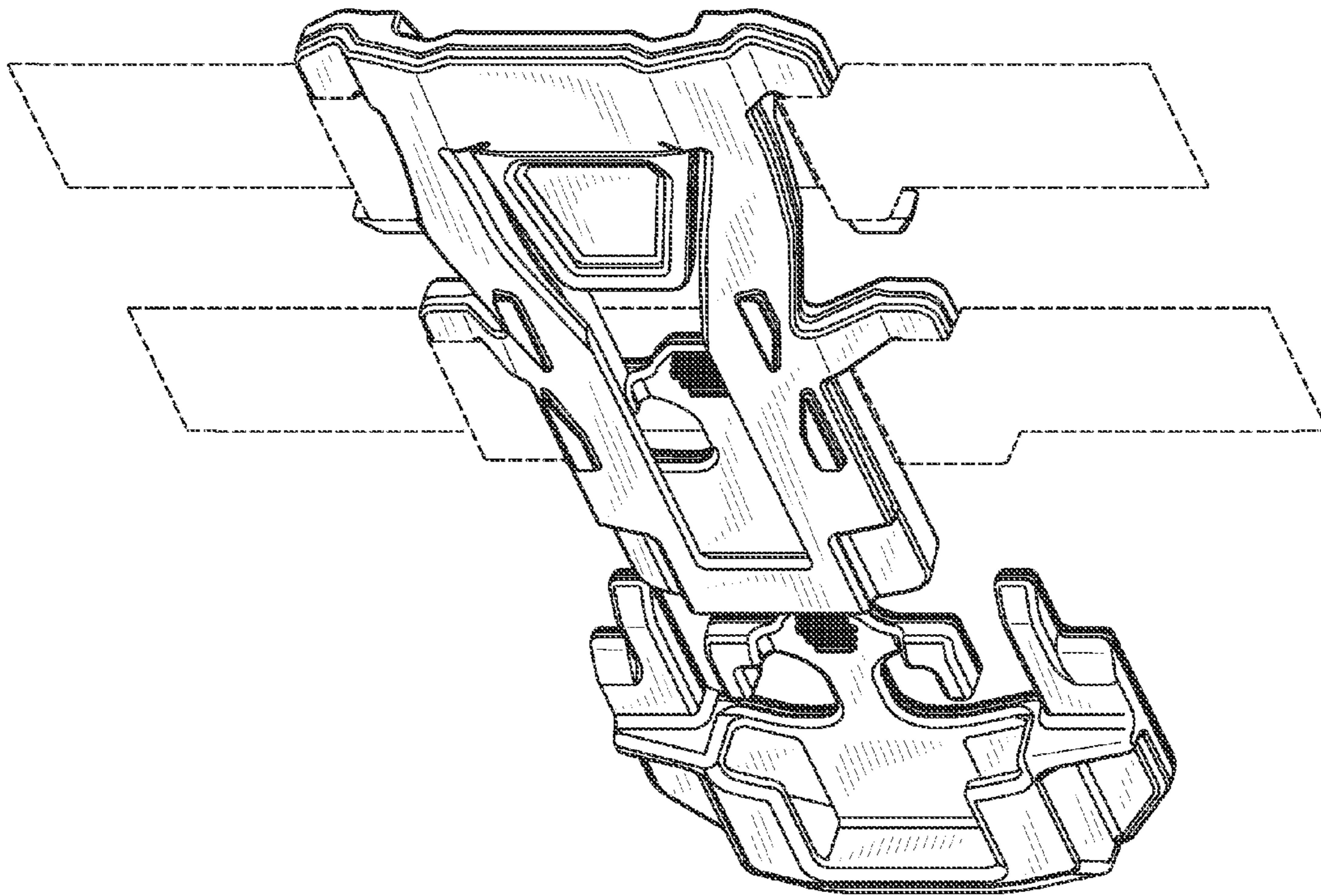


FIG. 8



FIG. 9

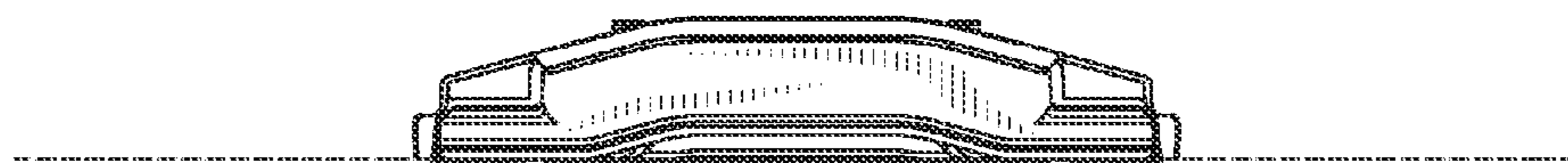


FIG. 10

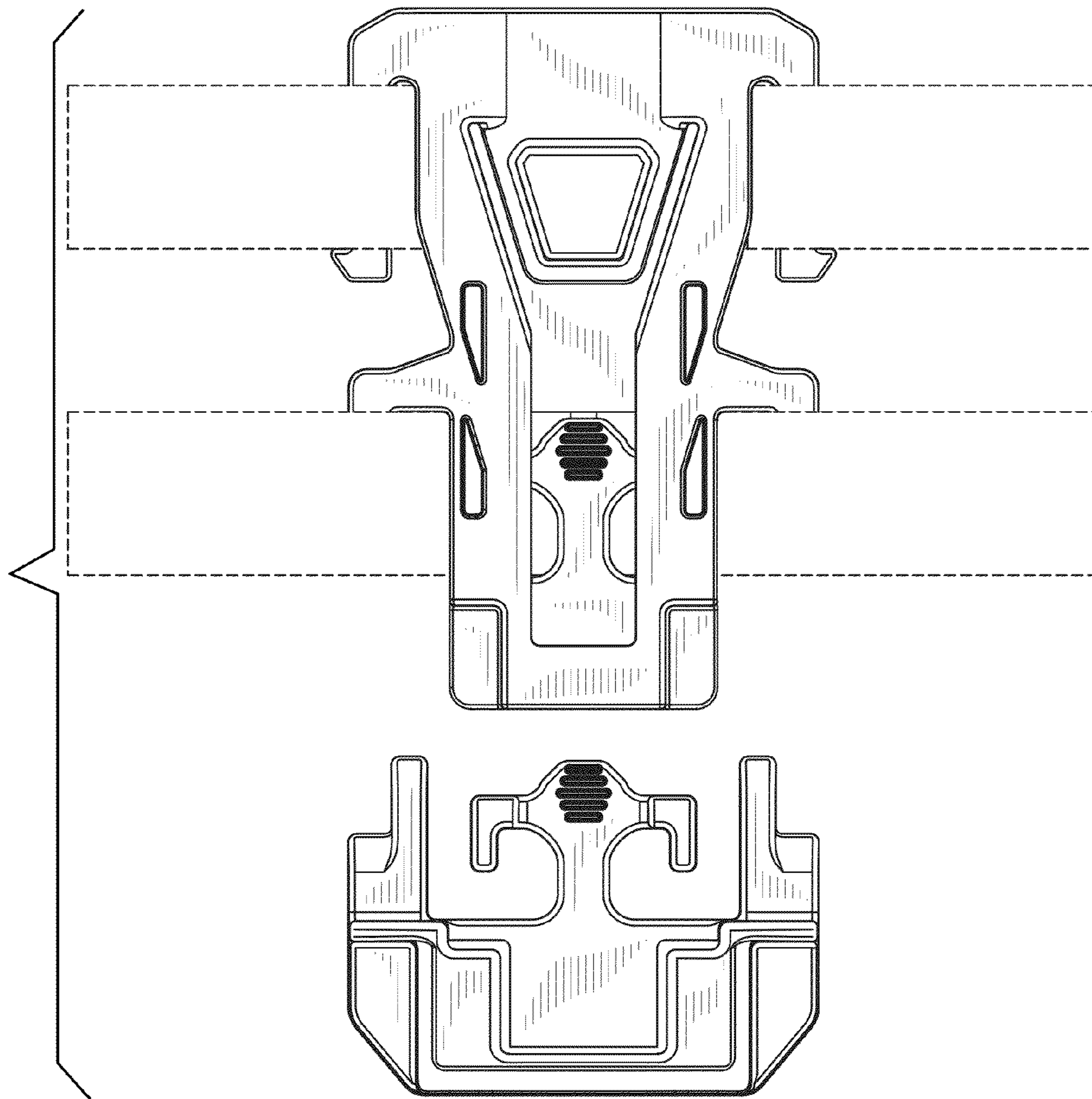


FIG. 11

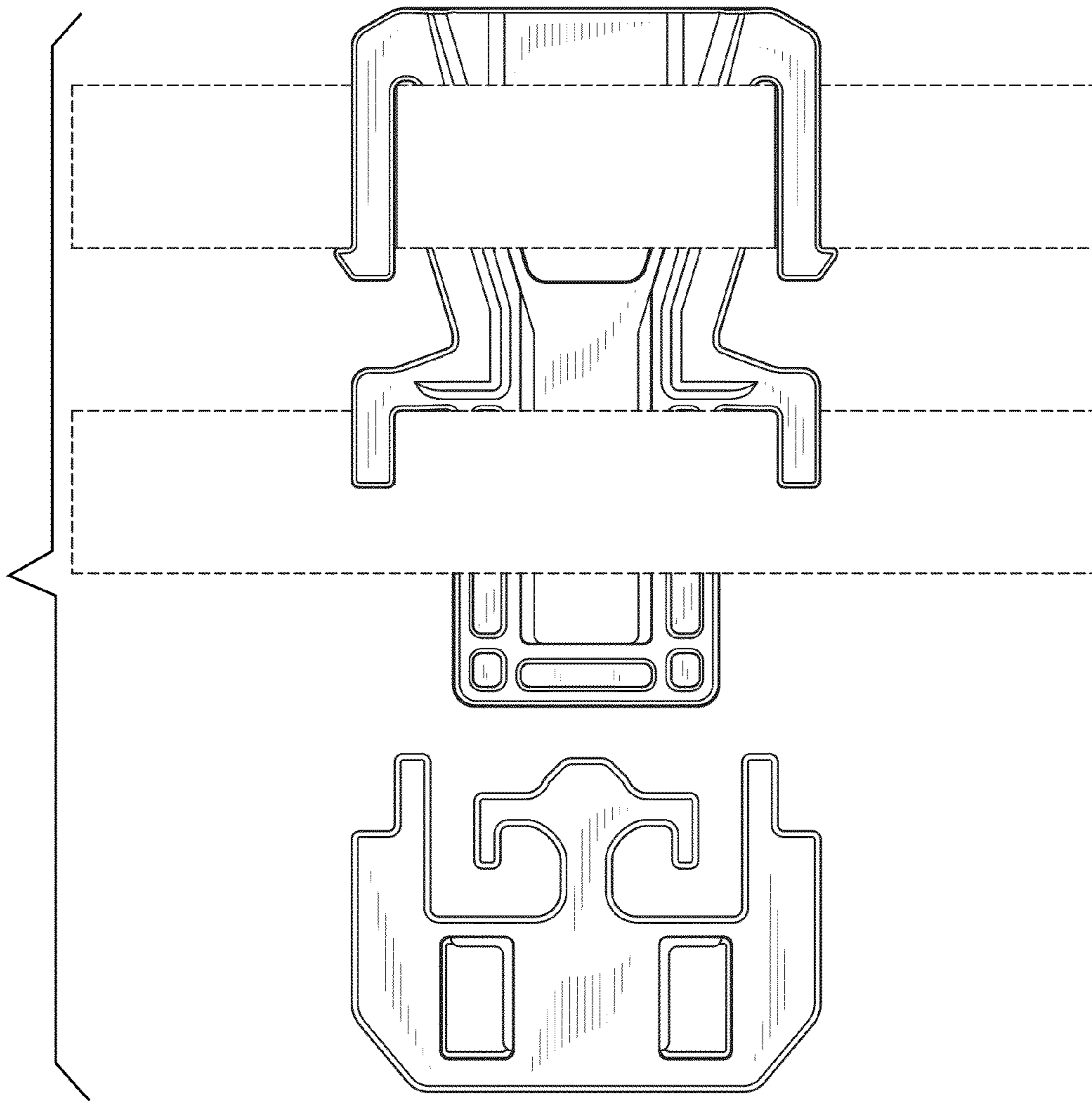


FIG. 12

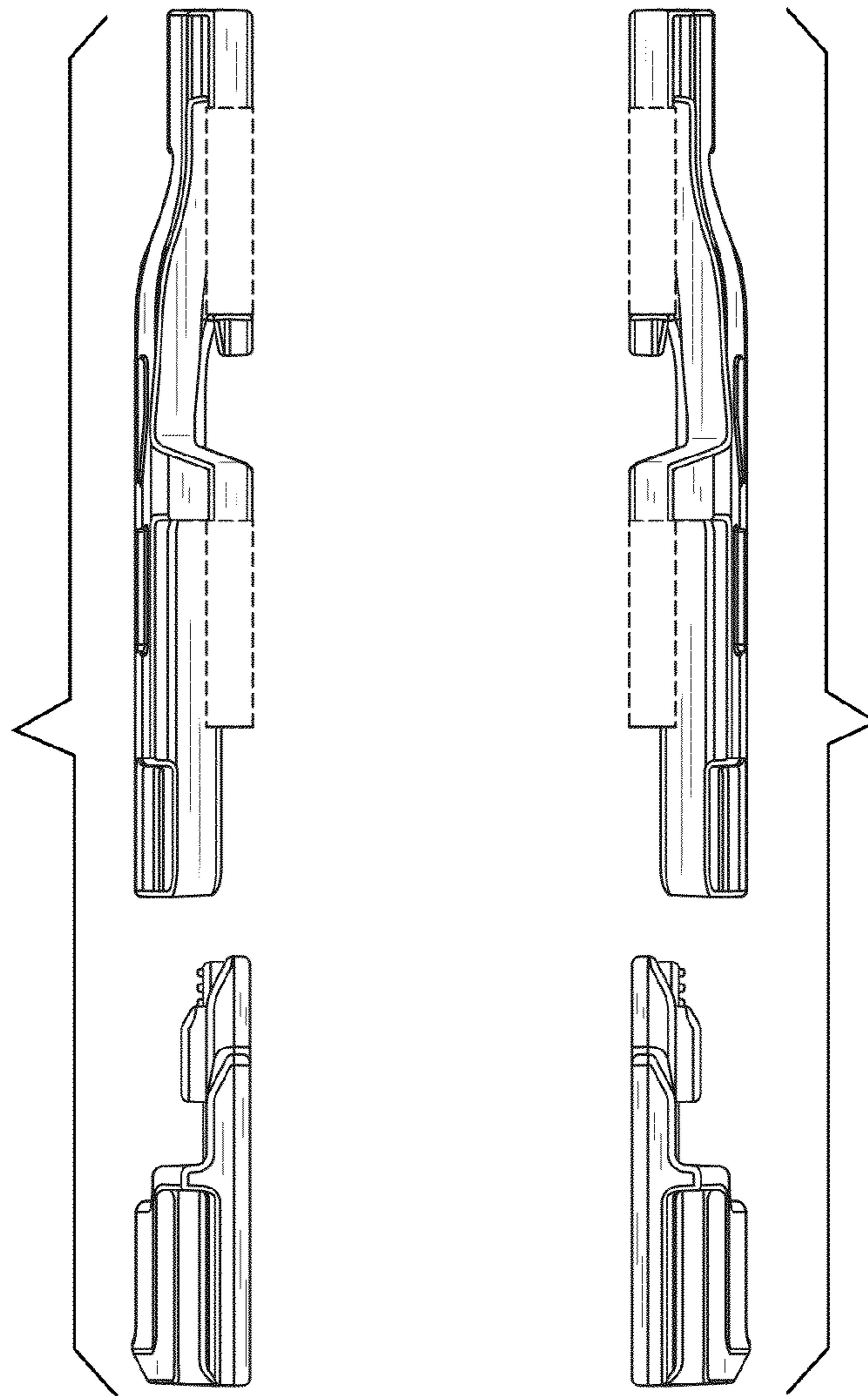


FIG. 13

FIG. 14