



US00D724483S

(12) **United States Design Patent**  
**Kelleghan**

(10) **Patent No.:** **US D724,483 S**  
(45) **Date of Patent:** **\*\* Mar. 17, 2015**

(54) **SIDE SQUEEZE BUCKLE WITH INTERNAL CAVITY**

(71) Applicant: **Bison Designs, LLC**, Longmont, CO (US)

(72) Inventor: **Brian James Kelleghan**, Longmont, CO (US)

(73) Assignee: **Bison Designs, LLC**, Longmont, CO (US)

(\*\*) Term: **14 Years**

(21) Appl. No.: **29/461,732**

(22) Filed: **Jul. 26, 2013**

(51) **LOC (10) Cl.** ..... **02-07**

(52) **U.S. Cl.**  
USPC ..... **D11/216**

(58) **Field of Classification Search**  
CPC ..... A44B 11/26; A44B 11/25; A44B 11/06  
USPC ..... D11/1-2, 200-201, 206-210, 214-218;  
24/163 R, 169-171, 173, 177-179, 191,  
24/194-195, 197, 200, 614-616, 625, 198,  
24/578.11, 578.1, 163 K, 114  
See application file for complete search history.

(56) **References Cited**

**U.S. PATENT DOCUMENTS**

D274,861 S \* 7/1984 Lindblad ..... D11/216  
D302,140 S 7/1989 Johnston

(Continued)

**FOREIGN PATENT DOCUMENTS**

EP 0880913 12/1998

**OTHER PUBLICATIONS**

Instructables search results for "survival bracelet" Scan of website  
[<http://www.instructables.com/pages/search/search.jsp?cx=partner-pub-1783560022203827%3Anpr2q7v5m6t&cof=FORID%3A11&>

ie=ISO-8859-1&q=survival+bracelet] showing prior art bracelets. The bracelets shown are admitted prior art to current design by Applicant.

(Continued)

*Primary Examiner* — Ralf Seifert

(74) *Attorney, Agent, or Firm* — Margaret Polson; Polson & Associates, PC

(57) **CLAIM**

The ornamental design for a side squeeze buckle with internal cavity, as shown and described.

**DESCRIPTION**

FIG. 1 is a front side elevation view of my new design for a side squeeze buckle with internal cavity.

FIG. 2 is a back side elevation view of FIG. 1.

FIG. 3 is a right side elevation view of FIG. 1, the left side elevation being a mirror image thereof.

FIG. 4 is a top side plan view of FIG. 1.

FIG. 5 is a bottom side plan view of FIG. 1.

FIG. 6 is a front side isometric view of FIG. 1.

FIG. 7 is a front side isometric view of FIG. 1, the only difference being the lid is in the open position, it being understood that all other surfaces are the same.

FIG. 8 is a left side elevation view of FIG. 7, the right side elevation view being a mirror image thereof.

FIG. 9 is a front side elevation view of my new design for a side squeeze buckle with internal cavity.

FIG. 10 is a back side elevation view of FIG. 9.

FIG. 11 is a right side elevation view of FIG. 9, the left side elevation being a mirror image thereof.

FIG. 12 is a top side plan view of FIG. 9.

FIG. 13 is a bottom side plan view of FIG. 9.

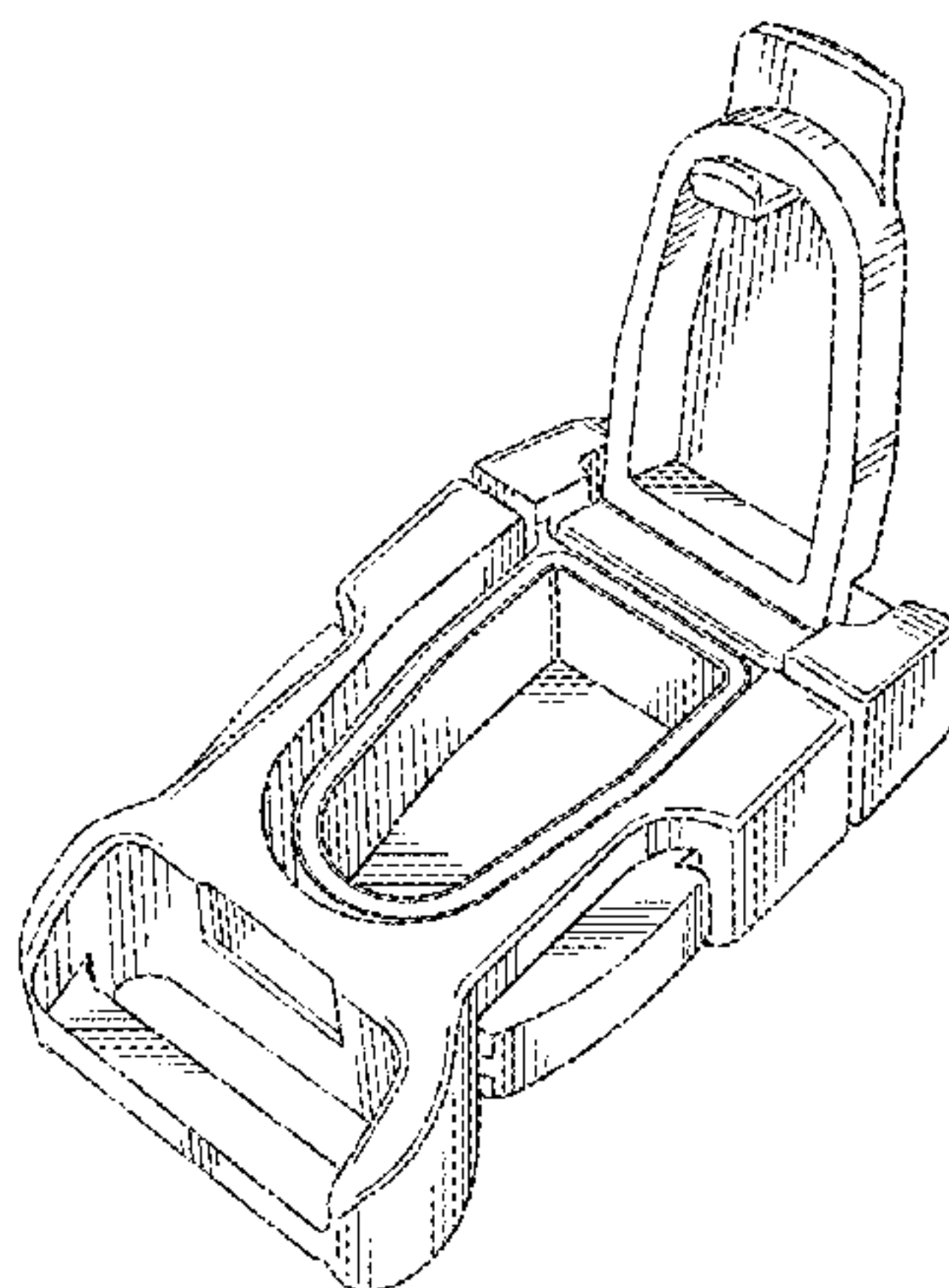
FIG. 14 is a front side isometric view of FIG. 9.

FIG. 15 is a front side isometric view of FIG. 9, the only difference being the lid is in the open position, it being understood that all other surfaces are the same; and,

FIG. 16 is a left side elevation view of FIG. 15, the right side elevation view being a mirror image thereof.

The features shown in broken lines in the drawing depict environmental subject matter only and form no part of the claimed design.

**1 Claim, 4 Drawing Sheets**



(56)

**References Cited**

## U.S. PATENT DOCUMENTS

D303,233	S	9/1989	Jang	
D327,455	S	6/1992	Blair	
D360,168	S	7/1995	Kelleghan	
5,572,771	A	11/1996	Kelleghan	
D381,936	S	8/1997	Anscher	
D444,100	S	6/2001	Kelleghan	
6,805,460	B1 *	10/2004	Zoller et al.	362/103
7,219,406	B2	5/2007	Chui	
D591,642	S	5/2009	Henderson et al.	
D649,492	S *	11/2011	Grimm et al.	D11/216
D686,525	S *	7/2013	Ishii	D11/216
D691,910	S	10/2013	Kelleghan	
D701,792	S *	4/2014	Kelleghan	D11/216
8,863,362	B2 *	10/2014	Kelleghan	24/615
2002/0092140	A1	7/2002	Van Tassel	
2003/0074772	A1	4/2003	Chen	
2006/0272136	A1	12/2006	Chui	
2008/0134479	A1	6/2008	Kolasa et al.	

## OTHER PUBLICATIONS

Instructables search results for “paracord bracelet with a side release” Scan of website [<http://www.instructables.com/pages/search/search.jsp?cx=partner-pub-1783560022203827%3Anpr2q7v5m6t&cof=FORID%3A11&ie=ISO-8859-1&q=paracord+bracelet+with+a+side+release>] showing prior art bracelets. The bracelets shown are admitted prior art to current design by Applicant.

Paracord bracelet with a side release buckle Scan of website [<http://www.instructables.com/id/Paracord-with-a-side-release-buckle/>] showing prior art bracelet authored by Stormdrane. The bracelet shown is admitted prior art to current design by Applicant.

Stormdrane’s Blog Scan of website [[http://stormdrane.blogspot.com/2006\\_02\\_01\\_archive.htm](http://stormdrane.blogspot.com/2006_02_01_archive.htm)] showing prior art bracelets. The bracelets shown were all posted in Feb. 2006 and are admitted prior art to current design by Applicant.

Survival Bracelet (Updated!) Scan of website [<http://www.instructables.com/id/Survival-Bracelet/>] showing prior art bracelet authored by tevers94. The article shown has an index date of Jan. 27, 2010 and is admitted prior art to current design by Applicant.

www.Survival-Bracelets.com Scan of website [[http://www.survival-bracelets.com/survival\\_bracelets](http://www.survival-bracelets.com/survival_bracelets)] showing prior art bracelets. The bracelets shown are admitted prior art to current design by Applicant.

Blade HQ Scan of website [<http://www.bladehq.com/cat—Survival-Bracelets—437>] showing prior art bracelets. The bracelets shown are admitted prior art to current design by Applicant.

Messina’s Front Line Survival Gear Para Cord Survival Bracelet Scan of website [[http://www.flsgear.com/index.php?c=survival&n=3375251&k=para+cord+survival+bracelet&s=rc&p=2&x=Survival\\_para\\_cord\\_survival\\_bracelet](http://www.flsgear.com/index.php?c=survival&n=3375251&k=para+cord+survival+bracelet&s=rc&p=2&x=Survival_para_cord_survival_bracelet)] showing prior art bracelets. The bracelets shown are admitted prior art to current design by Applicant.

Paracord Paul’s Outpost Paracord Survival Bracelets Scan of website [<http://www.paracordpaulsoutpost.com/cat-paracord-bracelets.cfm>] showing prior art bracelets. The bracelets shown are admitted prior art to current design by Applicant.

U.S. Cavalry 550 Paracord Survival Bracelet Scan of website [<http://www.uscav.com/productinfo.aspx?productID=21100>

&TabID=548] showing a prior art bracelet. The bracelet shown is admitted prior art to current design by Applicant.

Amazon search results for “Survival Bracelet” Printout of results of an Amazon search for sellers utilizing the term “survival bracelet”. The bracelets shown are admitted prior art to current design by Applicant.

Google search results for “Survival Bracelet” Printout of first 4 pages of results of a Google search for the term “survival bracelet”. The bracelets shown are admitted prior art to current design by Applicant.

<http://2.bp.blogspot.com/-xzqILFpj3ZY/T4ngor2BM41/AAAAAAAAAAY/sm0cvGsGUEI/s1600/BO09WT202.jpg>.

Accessed May 15, 2013. The bracelet shown is admitted prior art to current design by Applicant.

<http://images2.opticsplanet.com/365-240-ffffff/opplanet-boker-usa-plus-survival-bracelet-olive-9in-09jg233-main.jpg>. Accessed May 15, 2013. The bracelet shown is admitted prior art to current design by Applicant.

<http://willowhavenoutdoor.com/wp-content/uploads/2011/02/olive-drab-para-cord-bracelet.jpg>. Accessed May 15, 2013. The bracelet shown is admitted prior art to current design by Applicant.

T Lock Scan of website [[http://bisondesigns.com/T\\_Lock\\_38mm](http://bisondesigns.com/T_Lock_38mm)] showing prior art buckle sold by Bison Designs. The buckle shown is admitted prior art to current design by Applicant.

U.S. Appl. No. 29/443,676, filed Jan. 21, 2013; First Named Inventor: Brian James Kelleghan.

U.S. Appl. No. 29/448,779, filed Mar. 13, 2013; First Named Inventor: Brian James Kelleghan.

U.S. Appl. No. 13/841,046, filed Mar. 15, 2013; First Named Inventor: Brian James Kelleghan.

\* cited by examiner



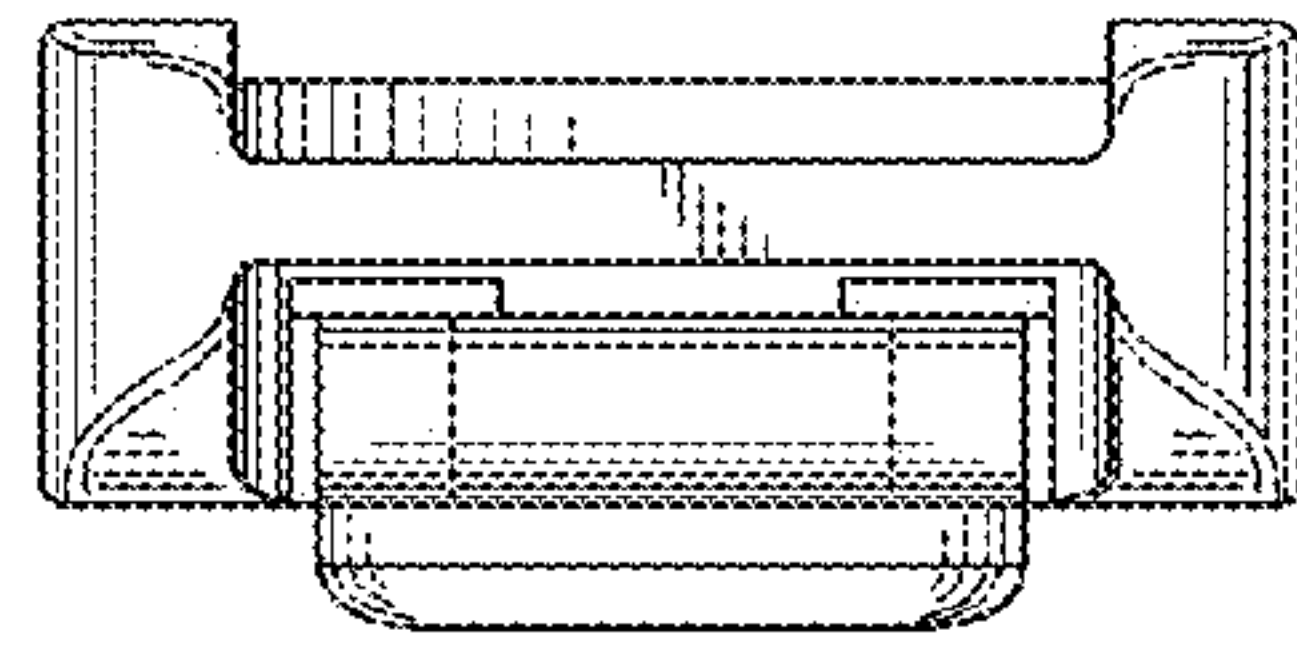


FIG. 4

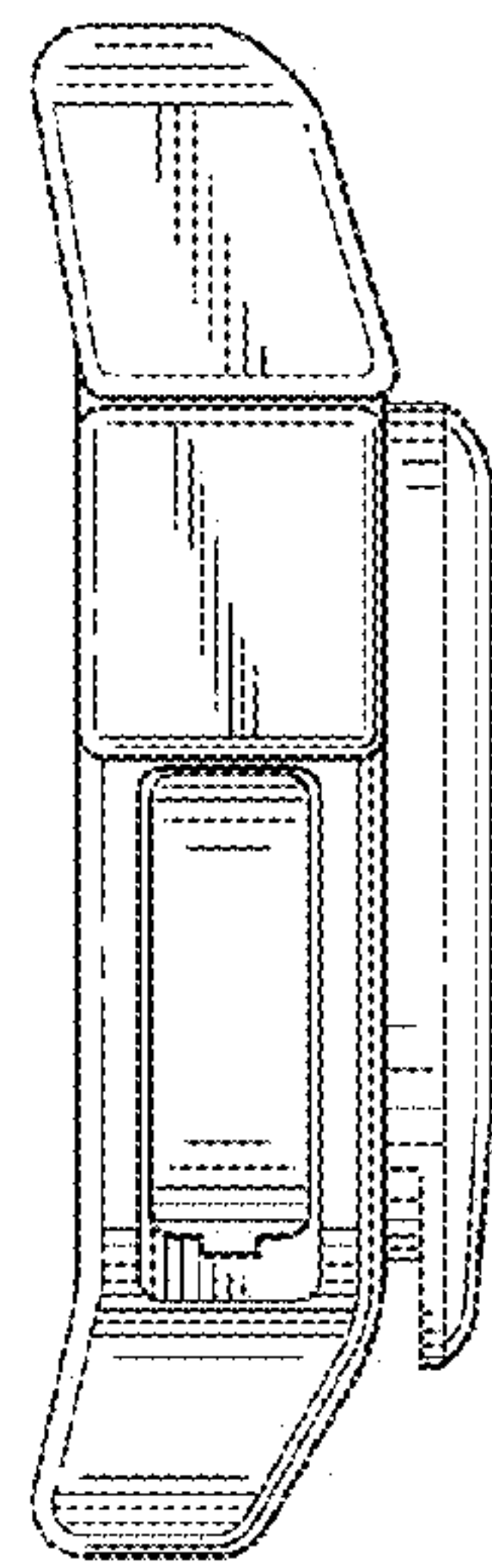


FIG. 3

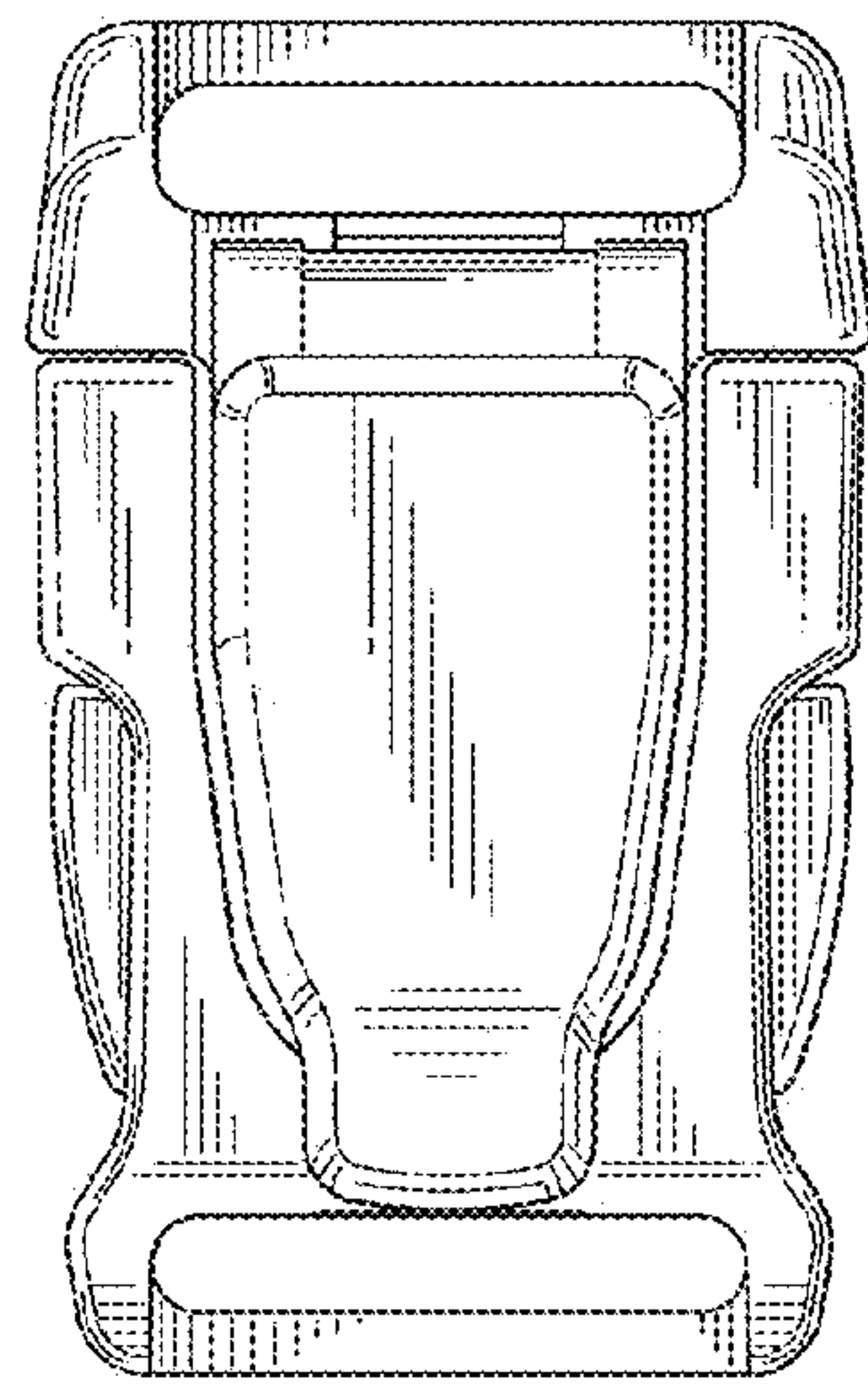


FIG. 1

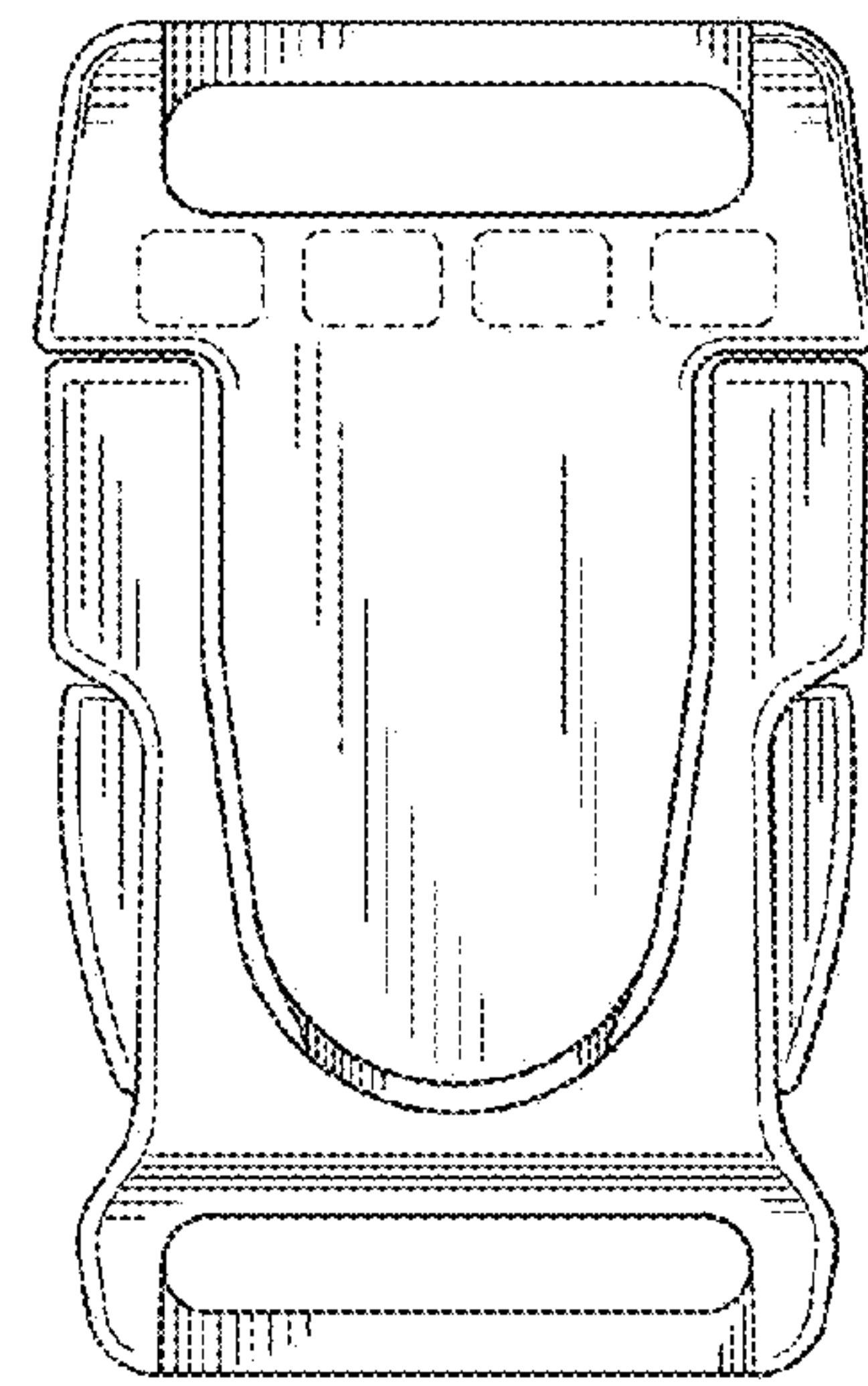


FIG. 2

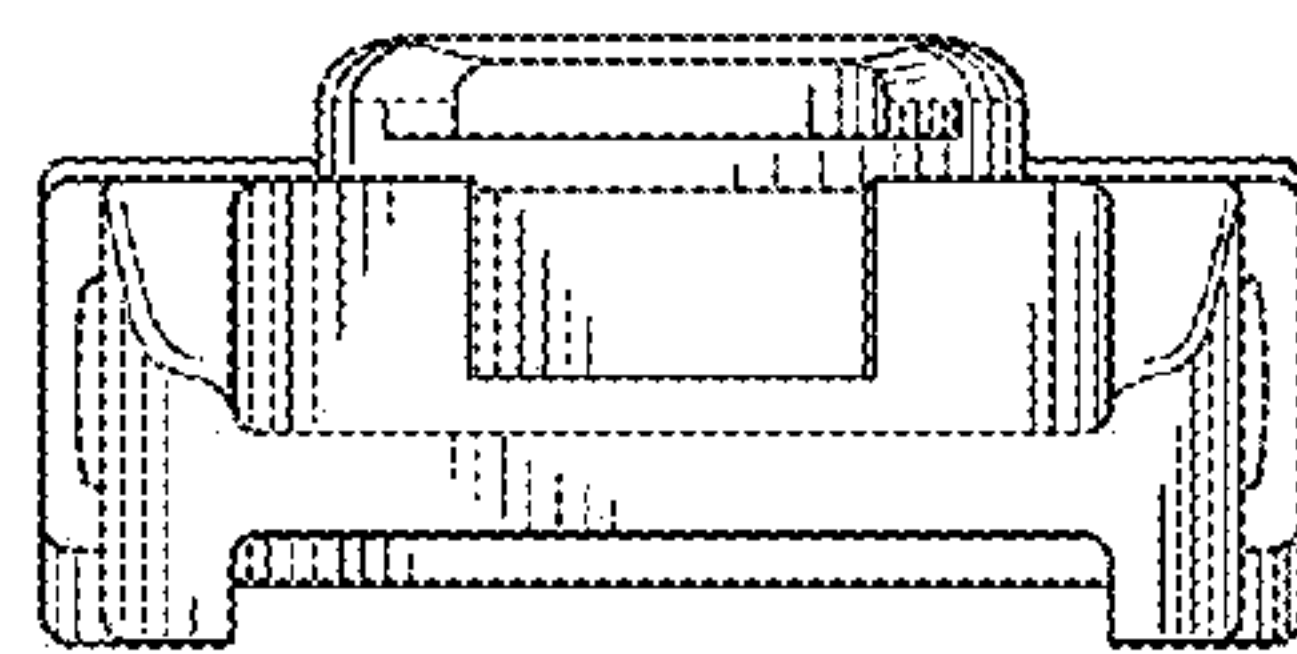


FIG. 5

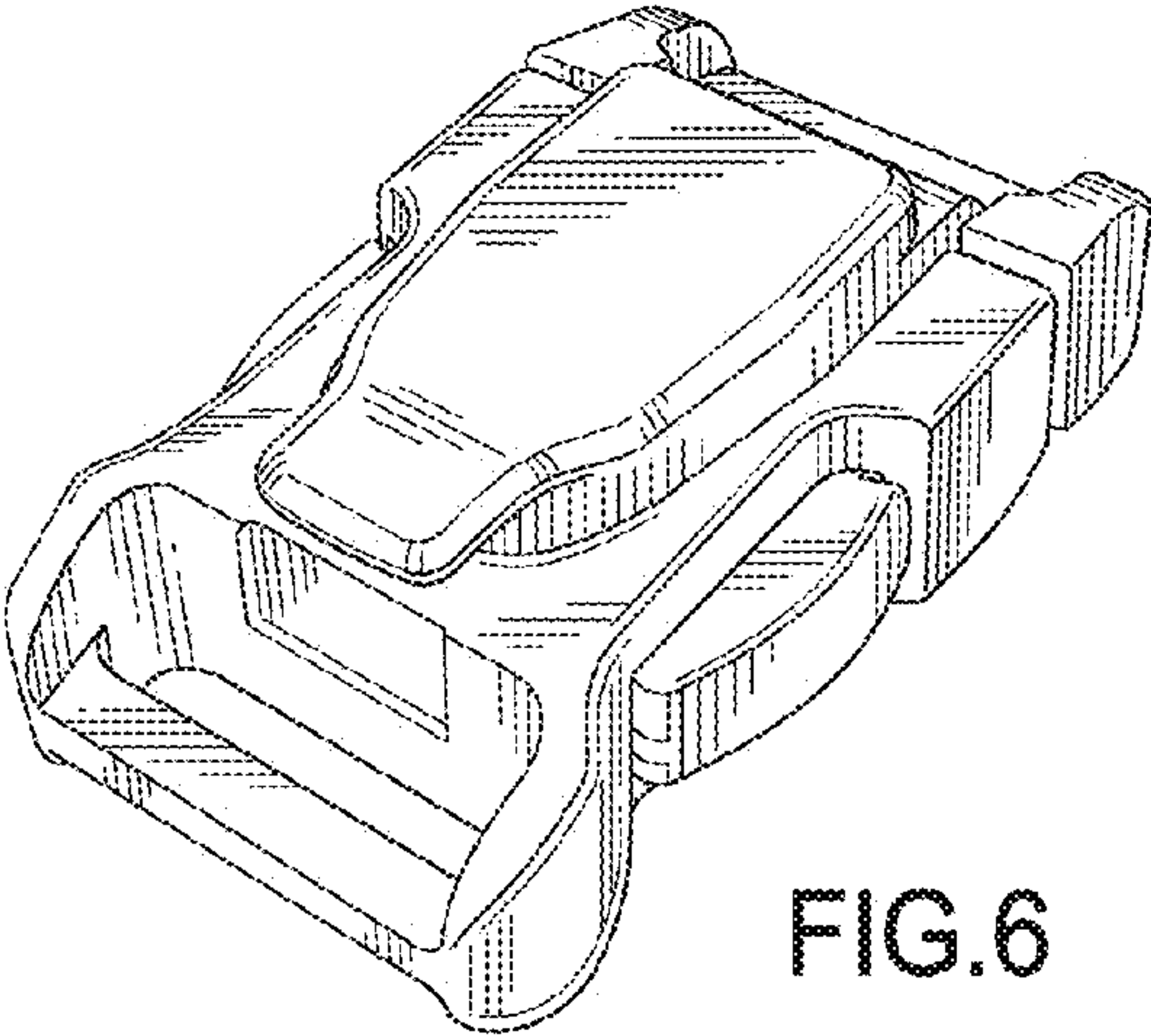


FIG. 6

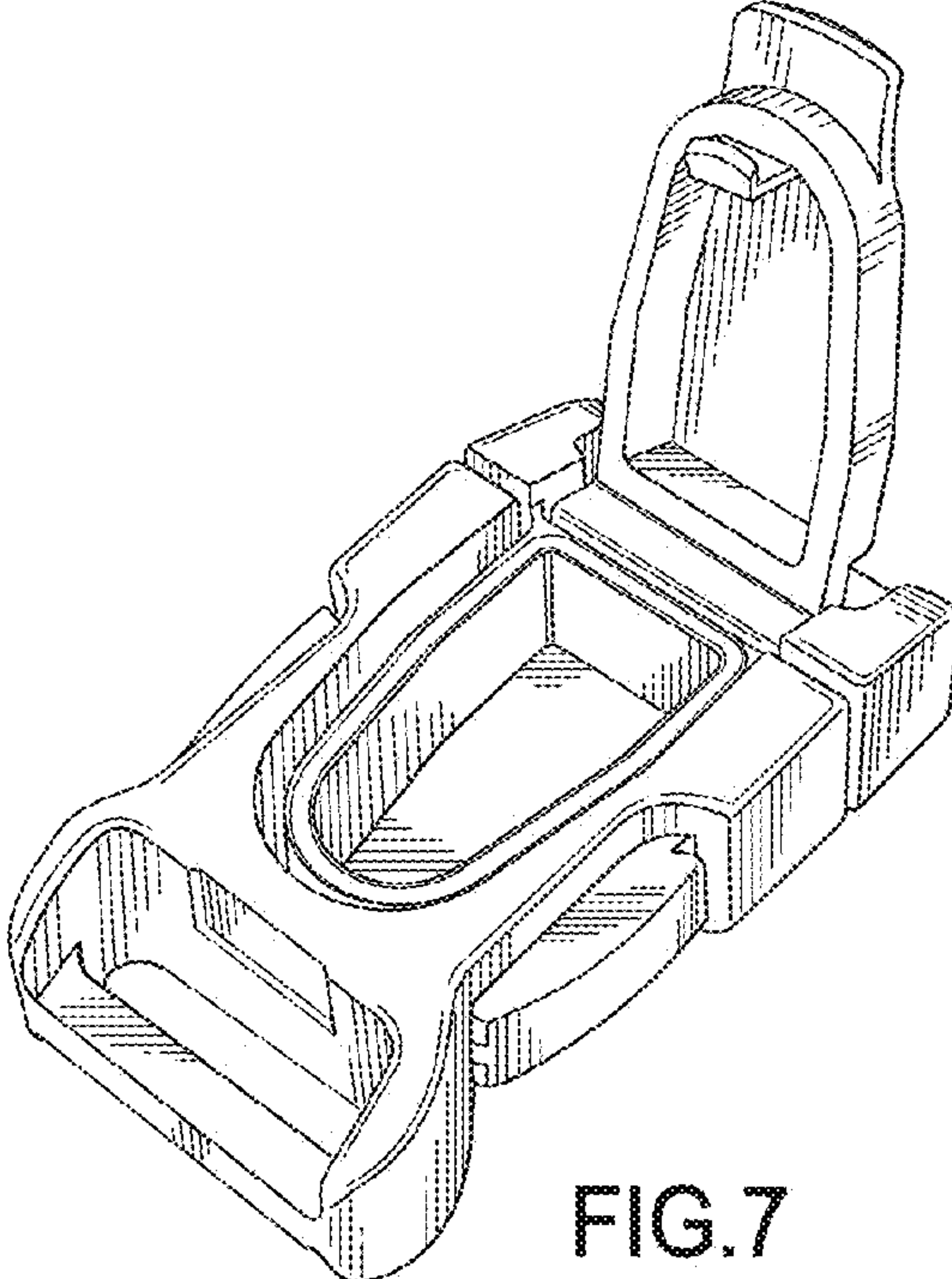


FIG. 7

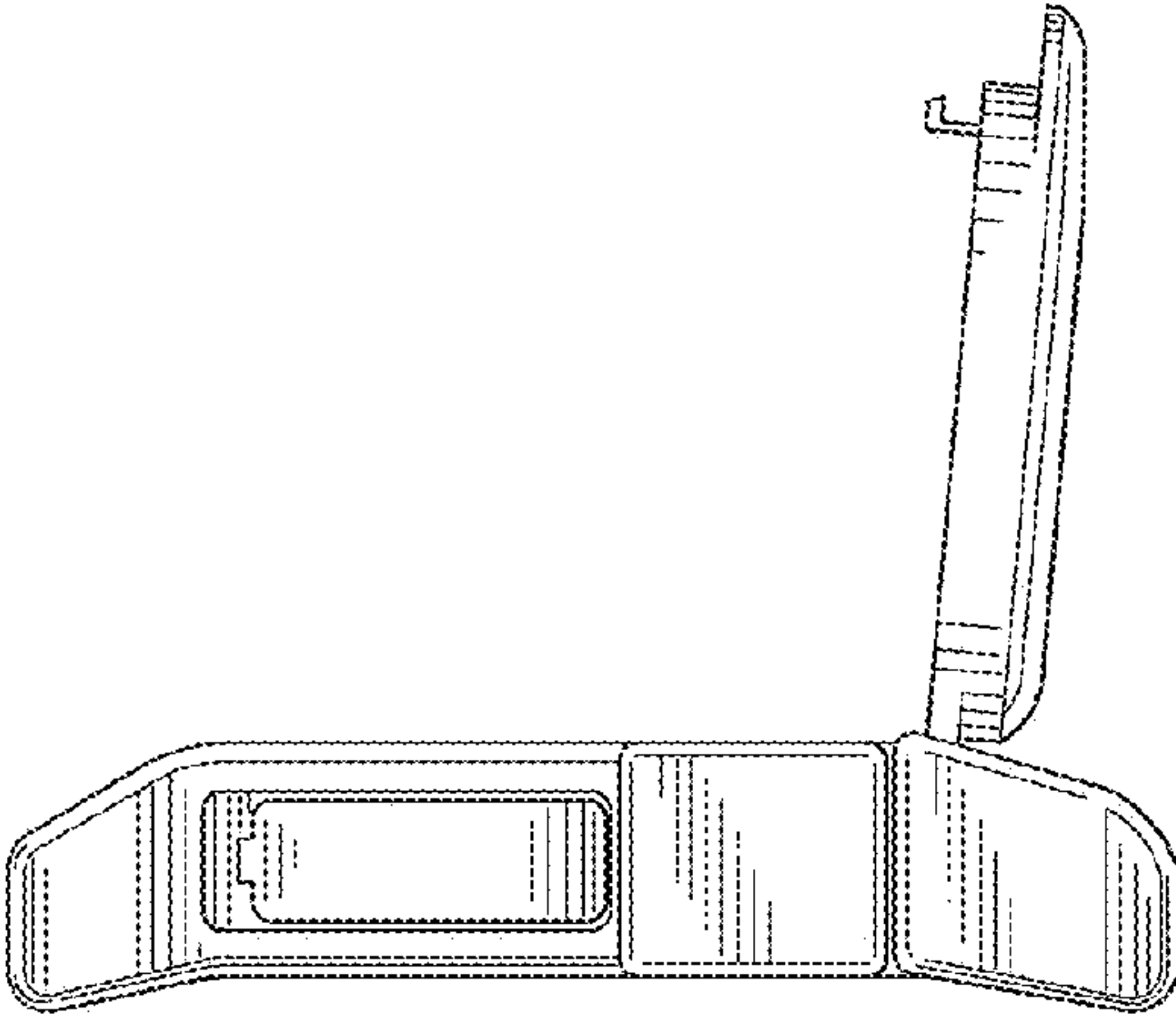


FIG. 8

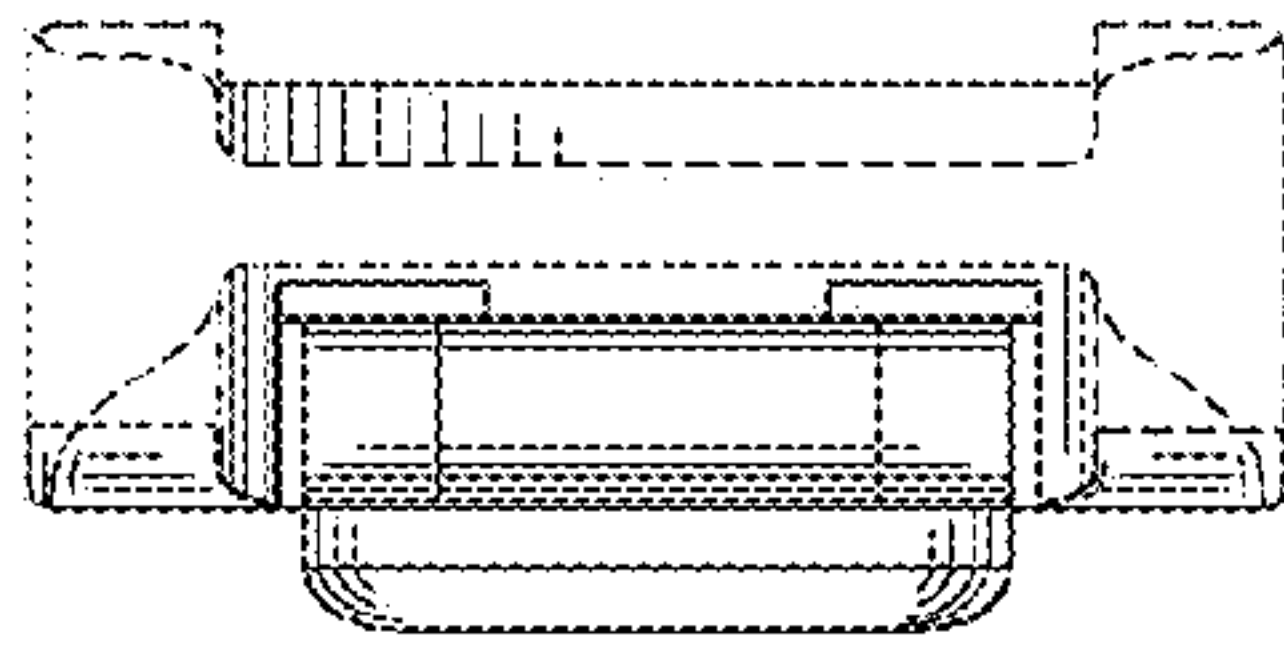


FIG. 12

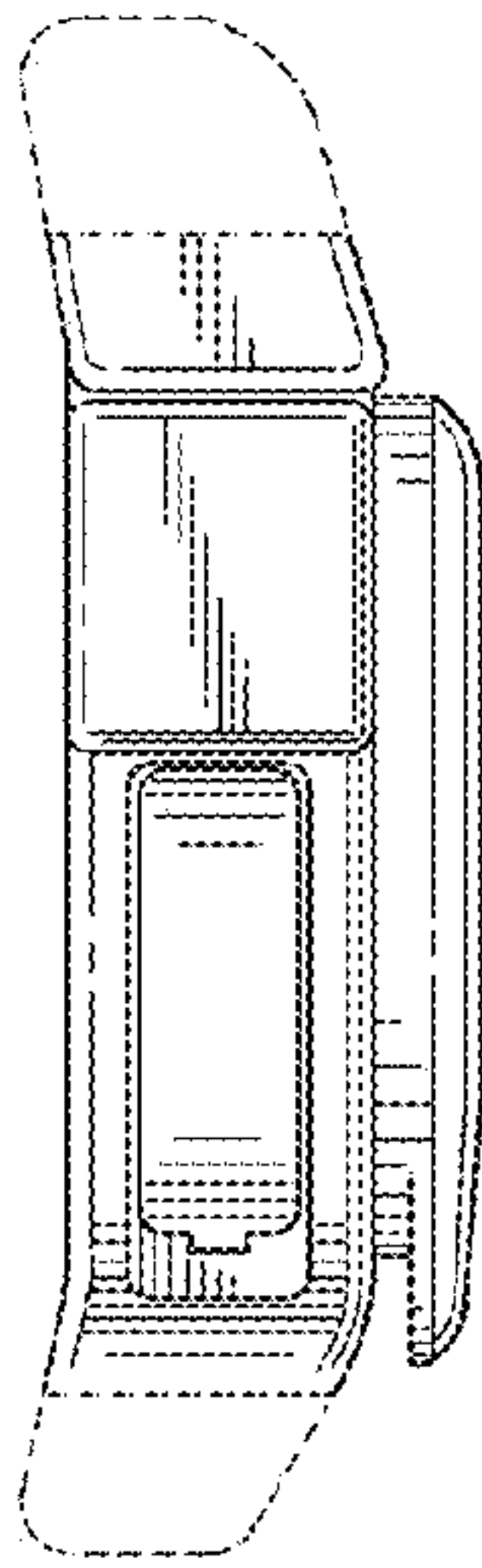


FIG. 11

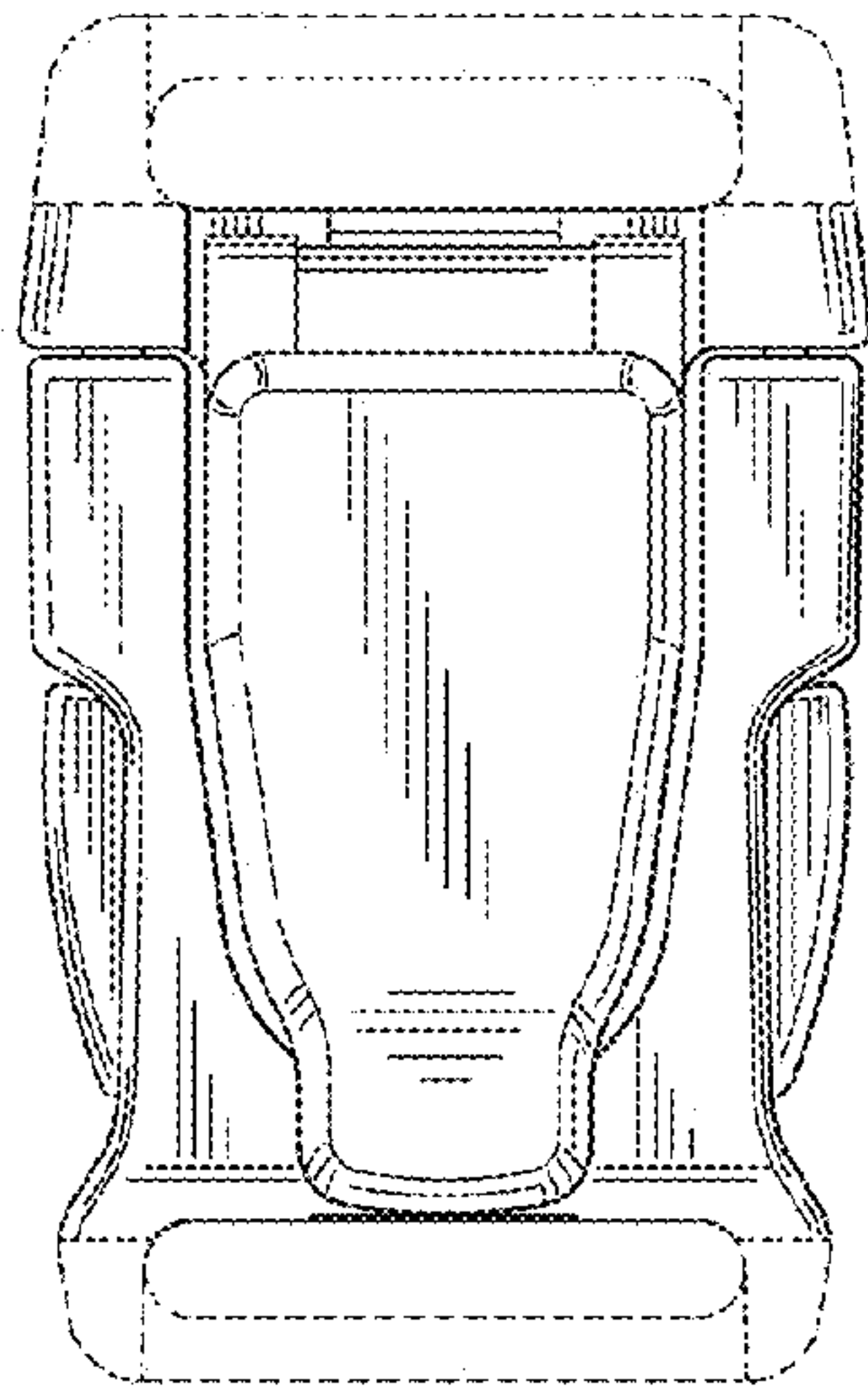


FIG. 9

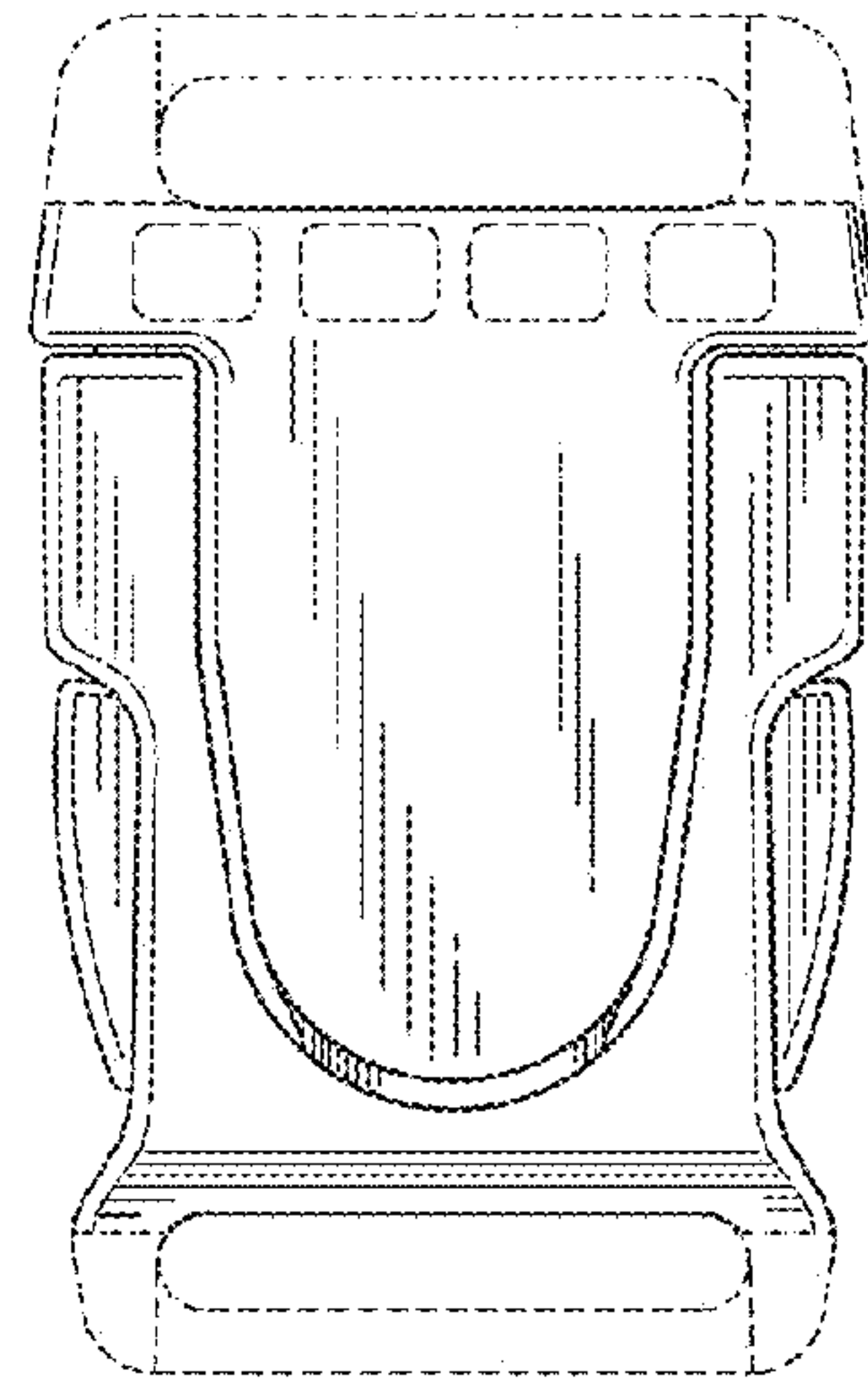


FIG. 10

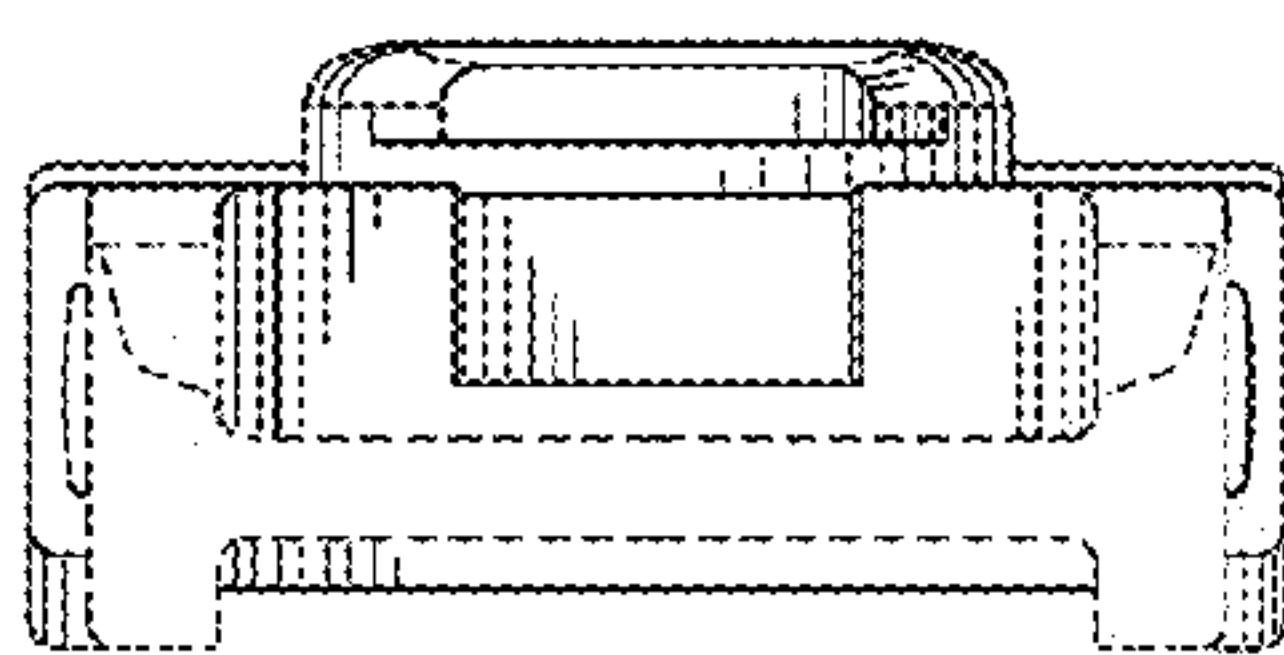


FIG. 13

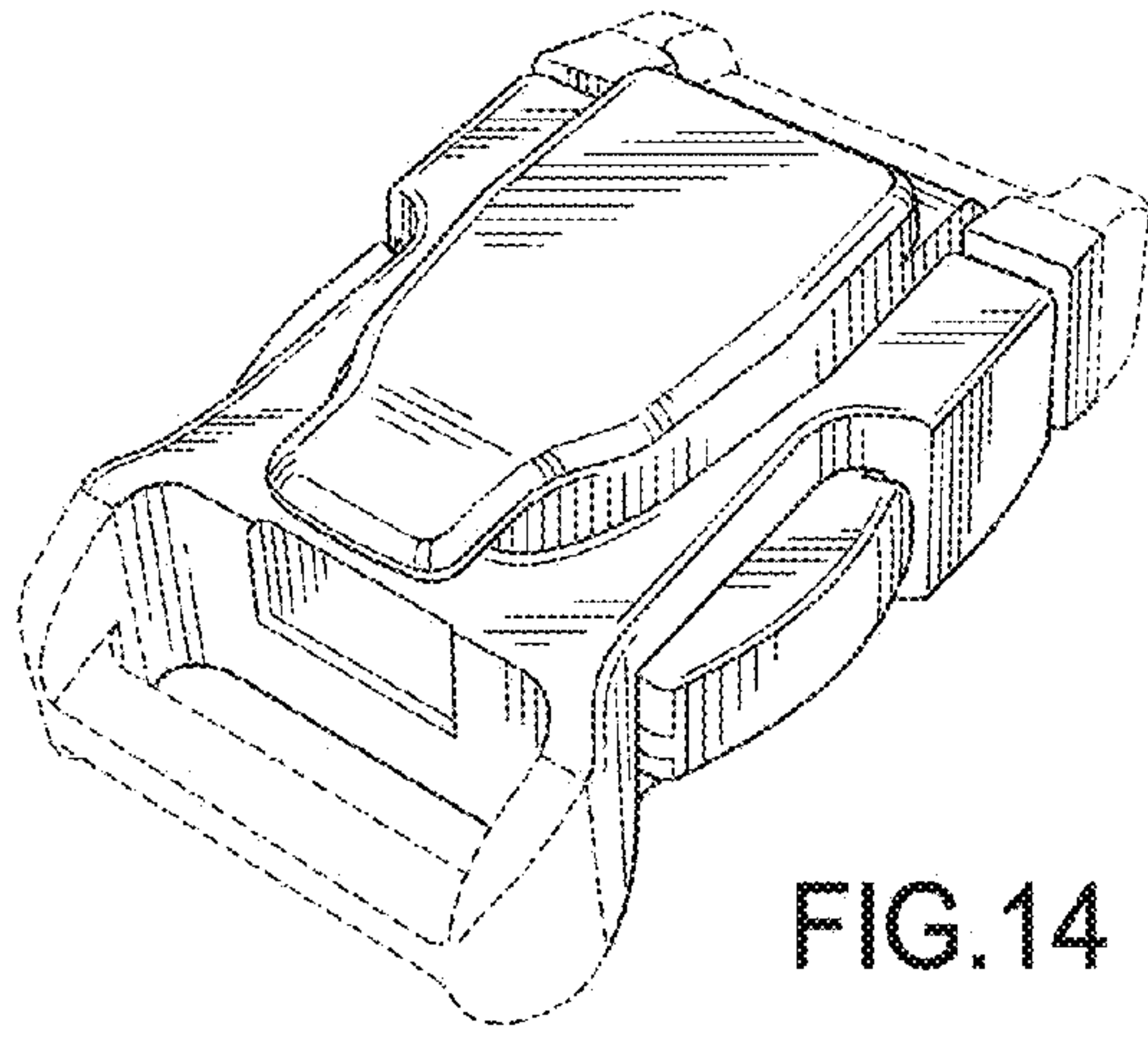


FIG. 14

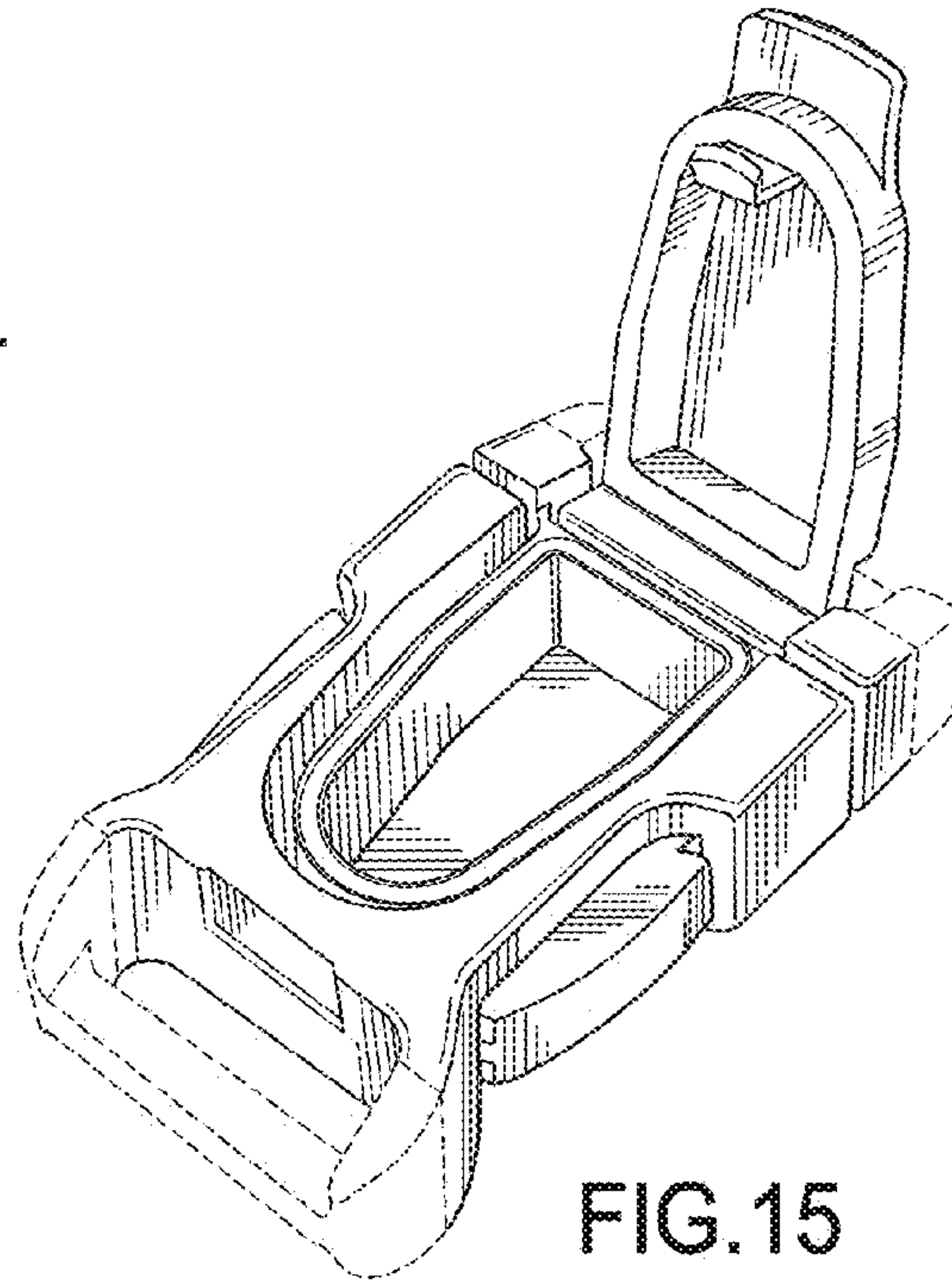


FIG. 15

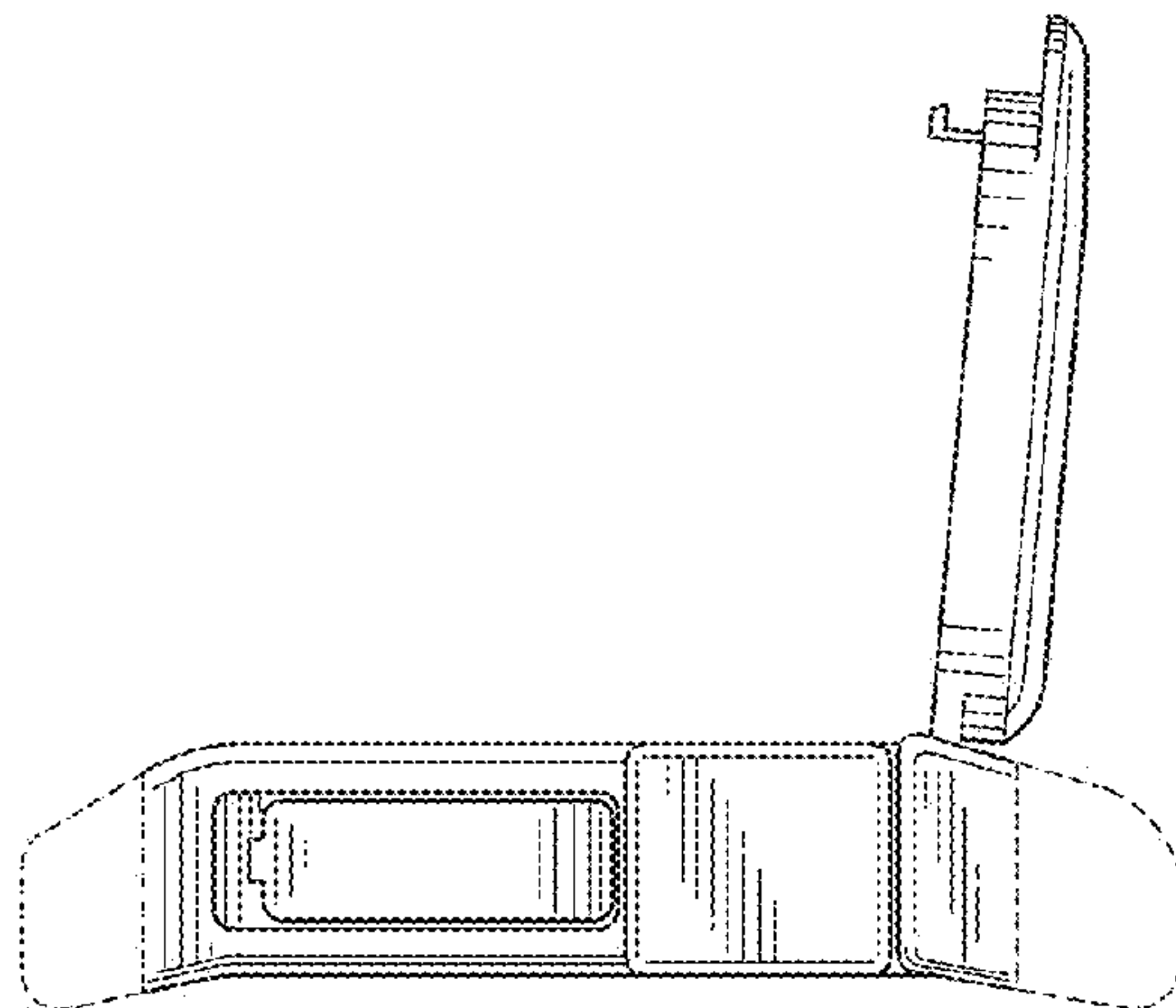


FIG. 16