



US00D724482S

(12) **United States Design Patent**
Ho

(10) **Patent No.:** **US D724,482 S**
(45) **Date of Patent:** **** Mar. 17, 2015**

(54) **VASE SKIRT**

(71) Applicant: **Lael D. Andara**, Redwood City, CA
(US)

(72) Inventor: **Im-Chan Chan C. Ho**, Milpitas, CA
(US)

(**) Term: **14 Years**

(21) Appl. No.: **29/438,157**

(22) Filed: **Nov. 27, 2012**

(51) **LOC (10) Cl.** **11-02**

(52) **U.S. Cl.**
USPC **D11/164**

(58) **Field of Classification Search**

CPC A47G 7/085; A47G 7/063; A47G 7/02;
A47G 7/08; A01G 9/02; A01G 5/04; A01G
5/06; A47F 5/16; A47F 7/0078; D06J 1/12;
B65D 85/52
USPC D11/139, 140, 142-144, 146, 153, 155,
D11/164, 184; D19/4-5, 157; 299/87.01;
206/423; 47/72

See application file for complete search history.

(56) **References Cited**

U.S. PATENT DOCUMENTS

| | | | | |
|-----------|------|---------|--------------------|----------|
| 4,910,913 | A * | 3/1990 | Streeter | 47/72 |
| 5,117,584 | A * | 6/1992 | Ottenwalder et al. | 47/72 |
| D463,321 | S * | 9/2002 | Remke | D11/149 |
| 6,510,651 | B2 * | 1/2003 | Weder et al. | 47/72 |
| 6,775,949 | B2 * | 8/2004 | Weder et al. | 47/72 |
| D502,667 | S * | 3/2005 | Bonilla | D11/144 |
| D502,668 | S * | 3/2005 | Bonilla | D11/144 |
| D556,626 | S * | 12/2007 | Shaffer et al. | D11/143 |
| 8,015,749 | B2 * | 9/2011 | Charrin | 47/41.01 |
| D662,854 | S * | 7/2012 | Weder et al. | D11/164 |
| D670,597 | S * | 11/2012 | Krizan | D11/130 |
| 8,490,329 | B2 * | 7/2013 | Weder | 47/72 |

OTHER PUBLICATIONS

<http://www.dx.com/p/foldable-recyclable-durable-plastic-flower-vase-stripes-color-assorted-40568#.VBHQyflSigw> Jul. 29, 2010.*
<http://www.dx.com/p/foldable-recyclable-durable-plastic-flower-vase-watermark-color-assorted-40567#tabProInfo> Jul. 29, 2010.*

* cited by examiner

Primary Examiner — Eric Goodman

Assistant Examiner — Amy Wierenga

(74) *Attorney, Agent, or Firm* — Lael D. Andara; Marie E. Sobieski

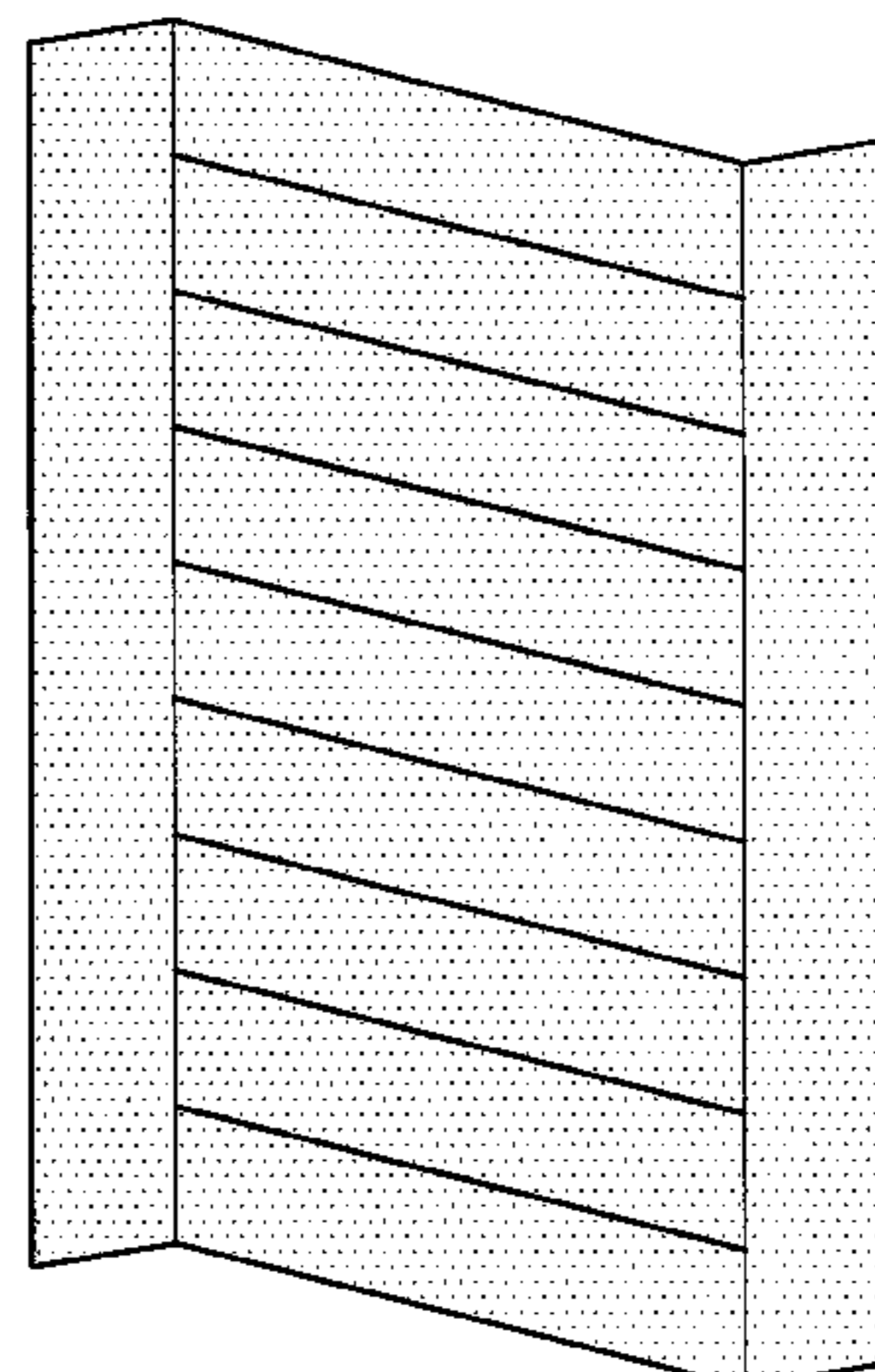
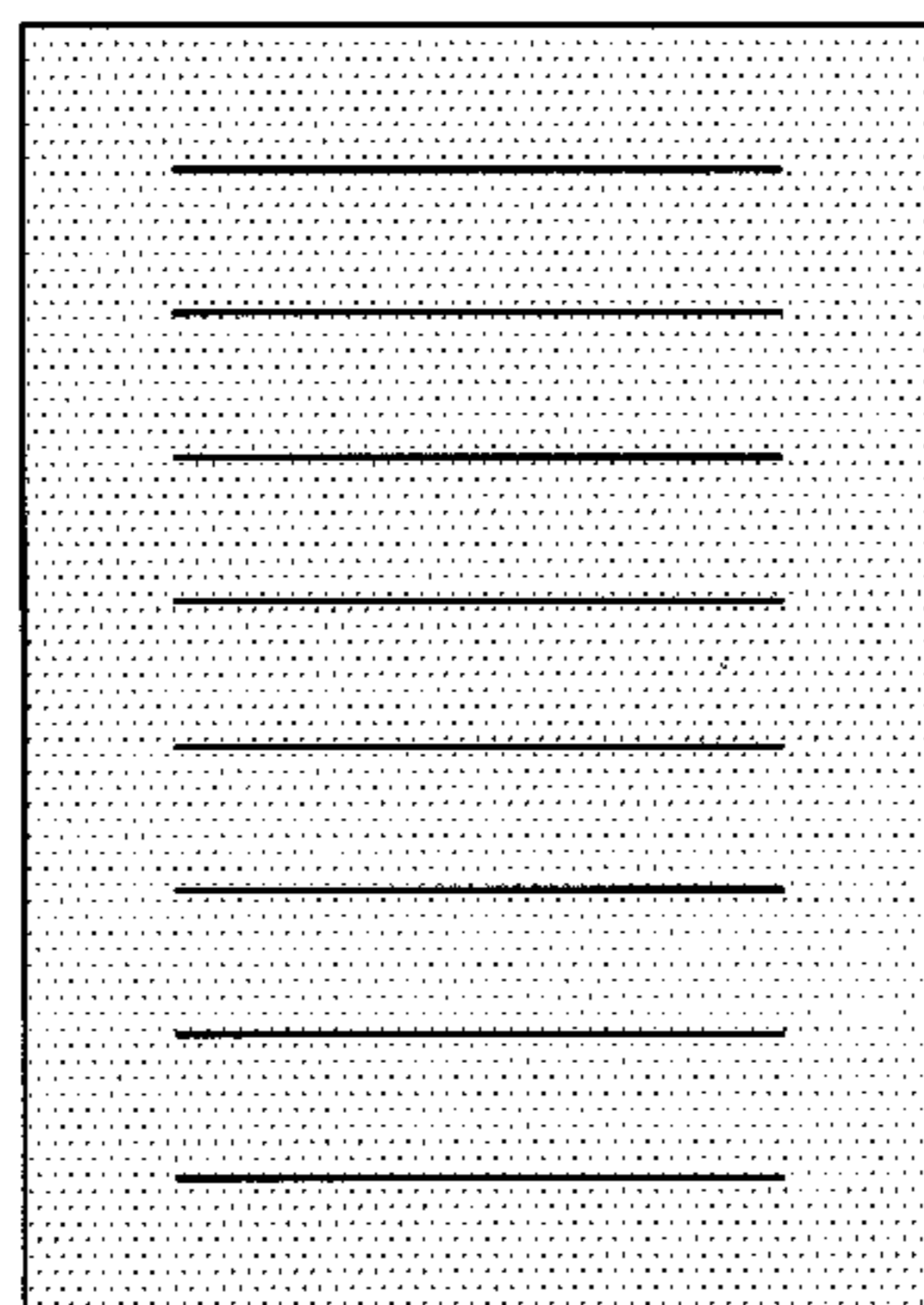
(57) **CLAIM**

The ornamental design for an accessory for a vase skirt, substantially as shown and described.

DESCRIPTION

FIG. 1 is a front view of a vase skirt, showing my new design; the rear view is a mirror image of the front; FIG. 2 is a right side view thereof; the left side view is a mirror image of the right side; FIG. 3 is a top plan view thereof; the bottom plan view is a mirror image of the top plan; FIG. 4 is a perspective front view thereof; the perspective rear view is a mirror image of the perspective front; FIG. 5 is a perspective front view thereof, shown with the ears folded; the perspective rear view with the ears folded is a mirror image of the perspective front; FIG. 6 is a perspective front view thereof, showing a first configuration in use; FIG. 7 is a perspective rear view thereof, showing a first configuration in use; FIG. 8 is a perspective front view thereof, showing a second configuration of use; and, FIG. 9 is a perspective rear view thereof, showing a second configuration of use. The broken lines are shown for the purpose of illustrating environmental matter only and form no part of the claimed design.

1 Claim, 7 Drawing Sheets



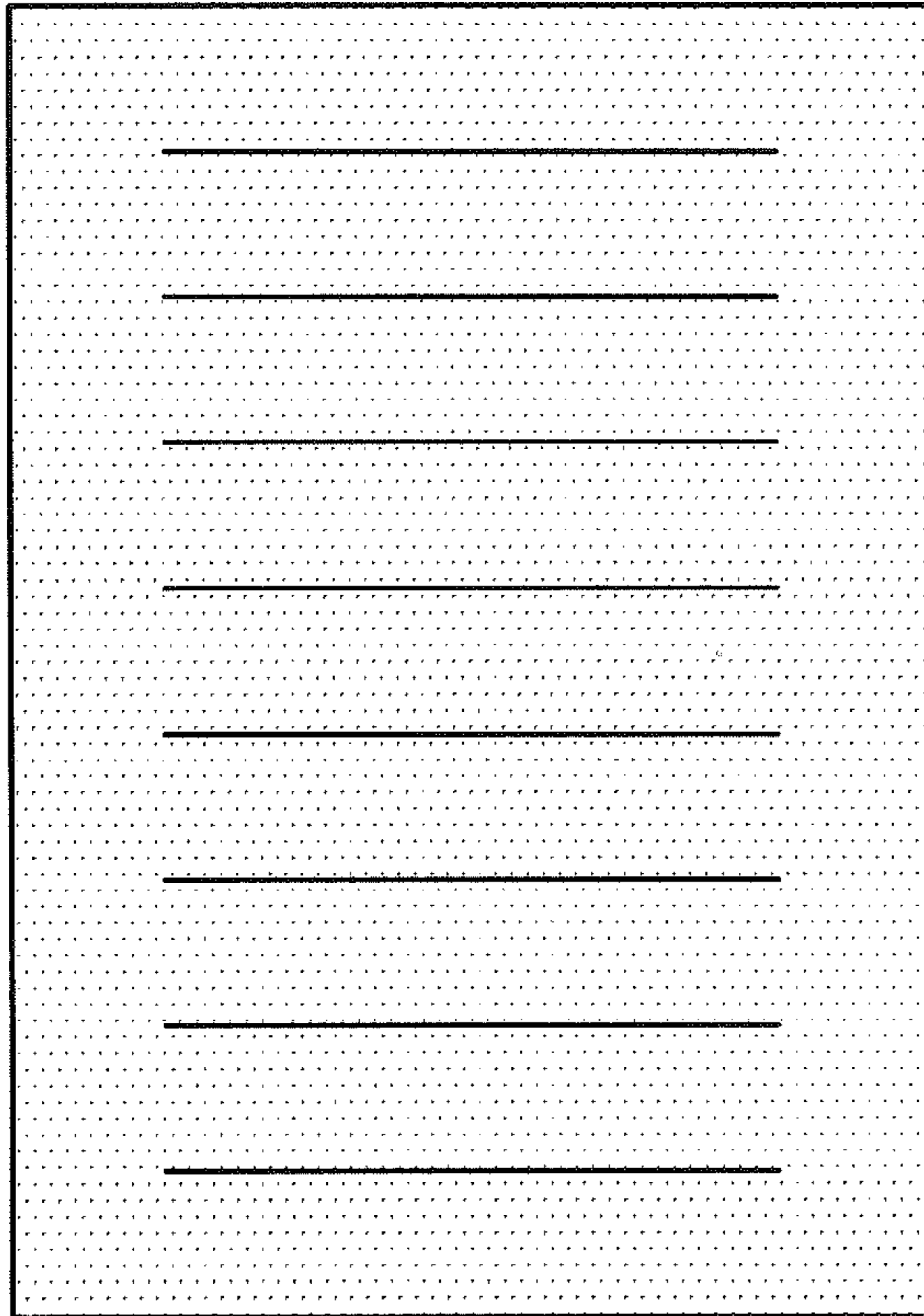


FIG. 1



FIG. 2



FIG. 3

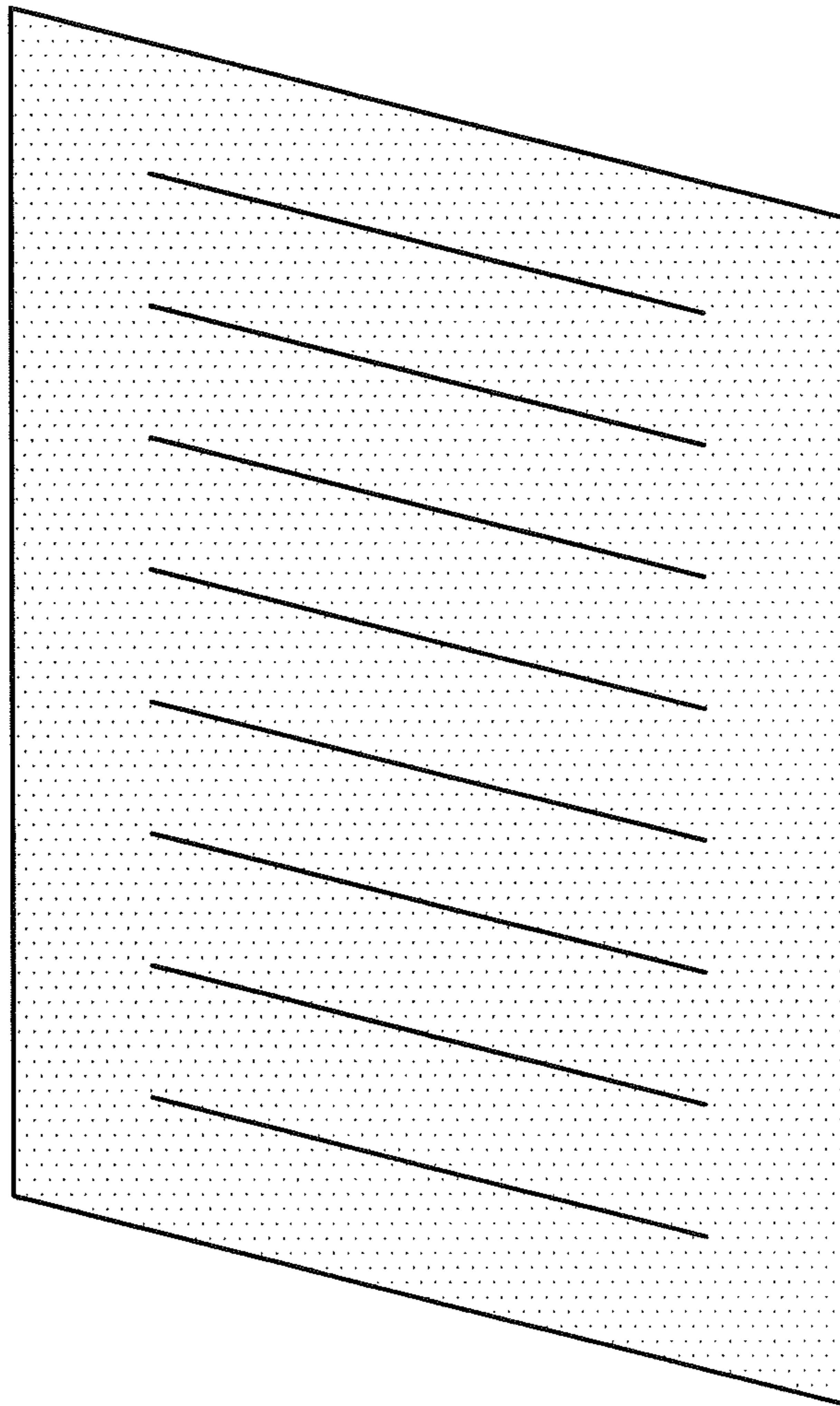


FIG. 4

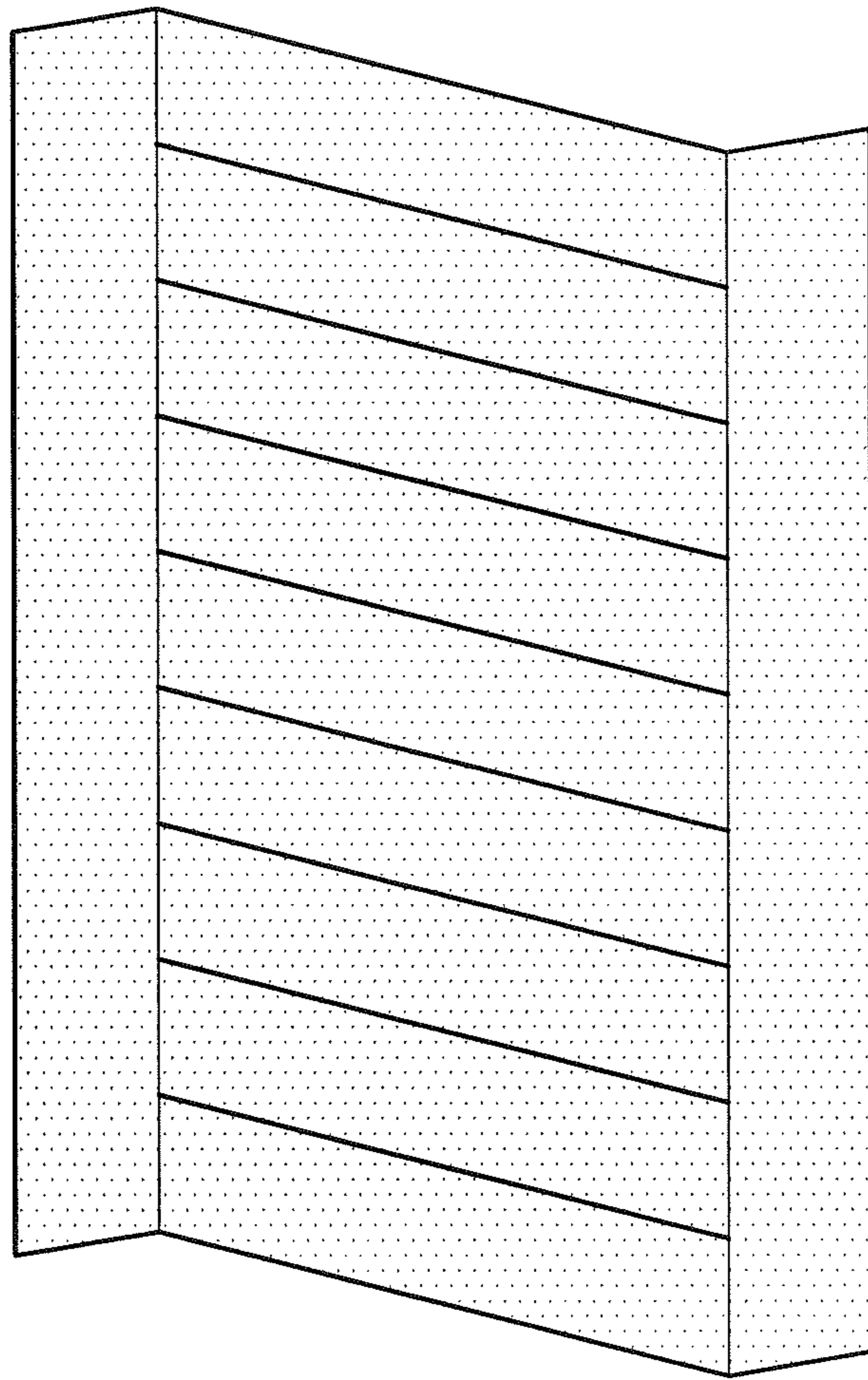


FIG. 5

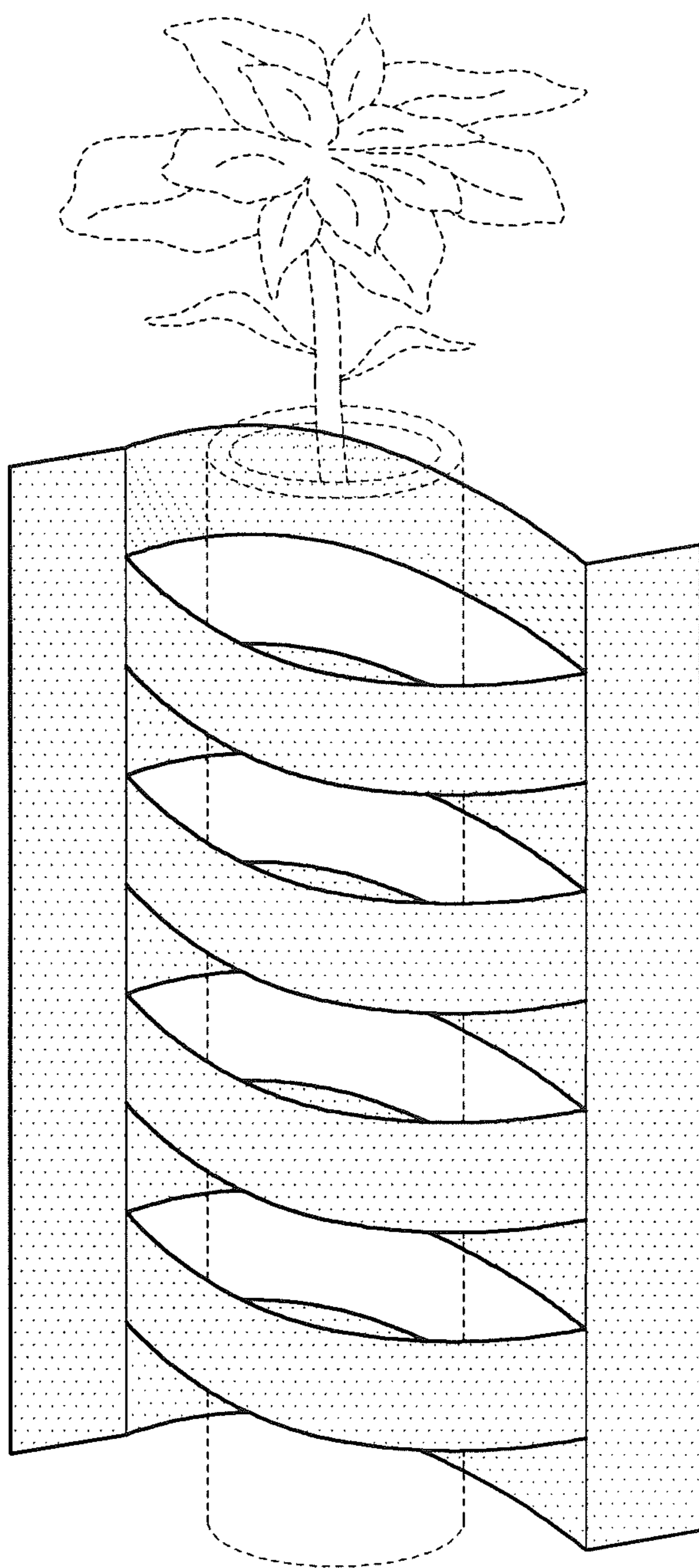


FIG. 6

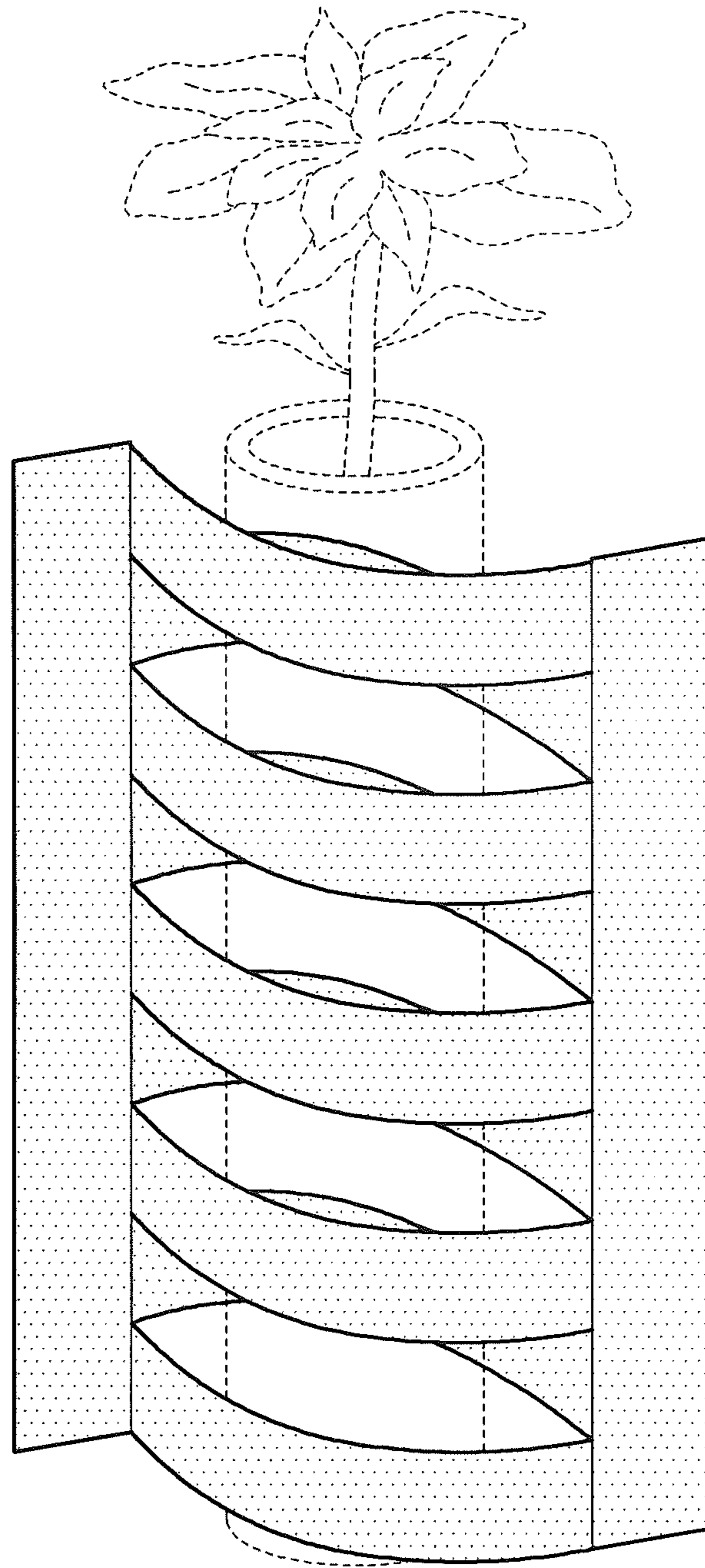


FIG. 7

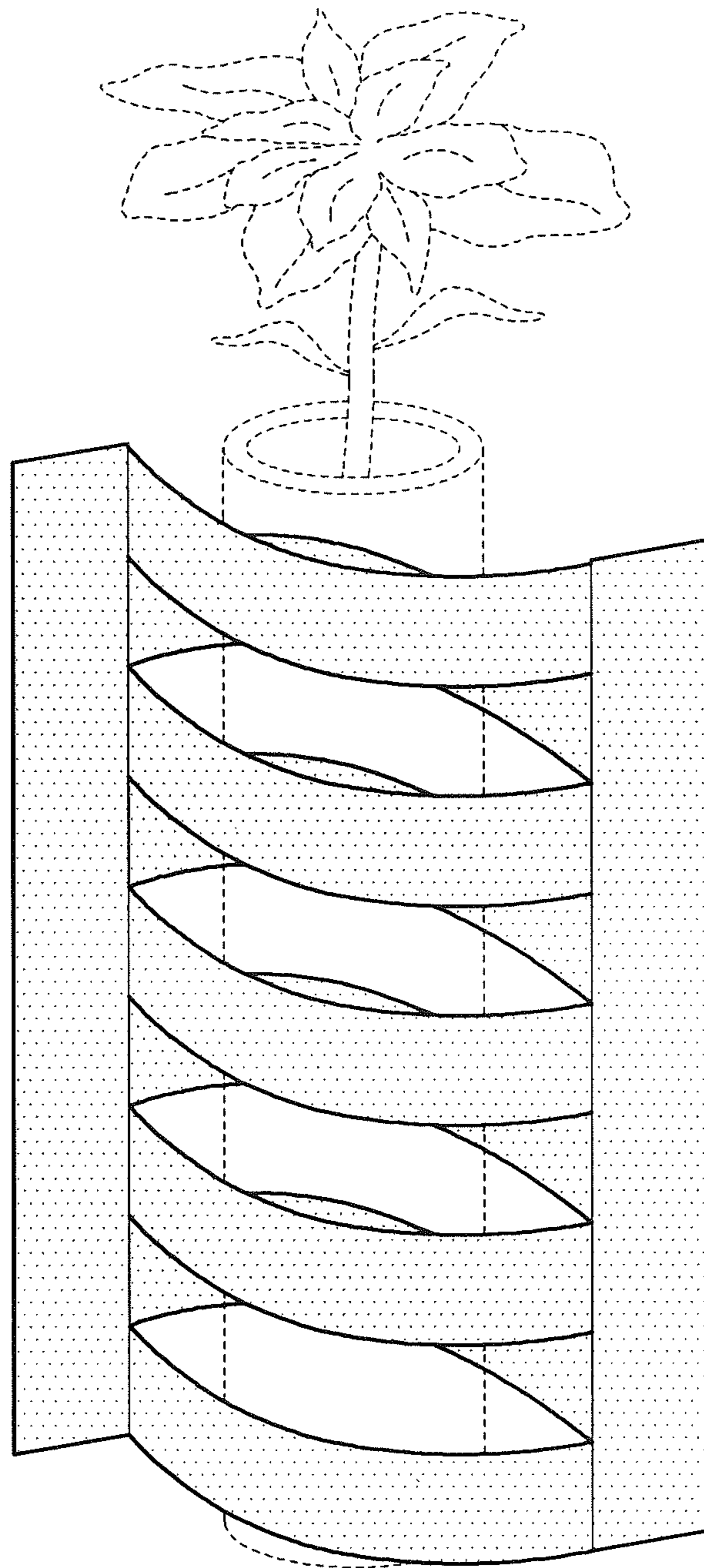


FIG. 8

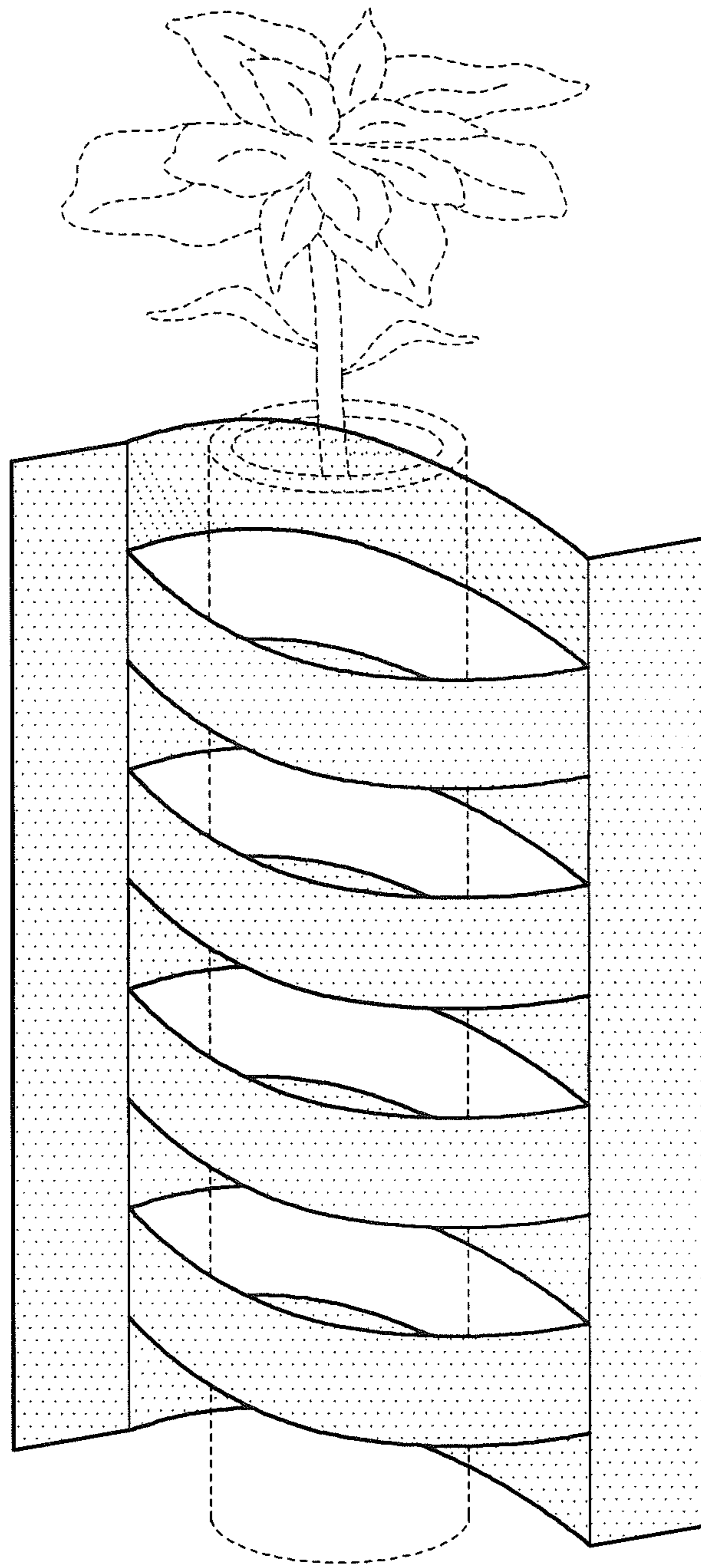


FIG. 9