



US00D724481S

(12) **United States Design Patent**  
**Blouin**

(10) **Patent No.:** **US D724,481 S**  
(45) **Date of Patent:** **\*\* Mar. 17, 2015**

(54) **PLANTER FOR A WALL GARDEN**  
(71) Applicant: **ATT Southern Inc.**, Camp Hill, PA (US)  
(72) Inventor: **Carl Blouin**, Lévis (CA)  
(73) Assignee: **ATT Southern Inc.**, Camp Hill, PA (US)  
(\*\*) Term: **14 Years**

(21) Appl. No.: **29/458,979**  
(22) Filed: **Jun. 25, 2013**  
(51) **LOC (10) Cl.** ..... **11-02**  
(52) **U.S. Cl.**  
USPC ..... **D11/155**  
(58) **Field of Classification Search**  
USPC ..... D6/403–405, 556–559, 570;  
D11/143–156, 164; D19/77, 80, 81,  
D19/84; D25/15, 100, 105, 113; D26/9, 10,  
D26/11, 16, 19; D34/1, 2, 4–6; 47/17, 32.4,  
47/32.5, 32.7, 33, 39, 41.01, 41.1,  
47/41.11–41.15, 44–47, 63, 65.5, 65.9,  
47/66.6, 66.7, 67–71  
See application file for complete search history.

(56) **References Cited**  
U.S. PATENT DOCUMENTS  
D297,601 S \* 9/1988 Grossman et al. .... D6/556  
D303,305 S \* 9/1989 Deacon ..... D34/6  
D332,854 S \* 1/1993 Waterston et al. .... D34/10

D335,603 S \* 5/1993 Arenson ..... D6/570  
D360,116 S \* 7/1995 Fillipp ..... D8/1  
D501,886 S \* 2/2005 Chen et al. .... D19/85  
D593,796 S \* 6/2009 Kevan ..... D7/400  
D602,667 S \* 10/2009 Barbieri ..... D34/1  
D603,181 S \* 11/2009 Carlington ..... D6/405  
D644,470 S \* 9/2011 Hashimoto ..... D6/556  
D689,300 S \* 9/2013 MacKenzie ..... D6/556  
D691,390 S \* 10/2013 Cunningham et al. .... D6/556  
2009/0173004 A1 \* 7/2009 Weast ..... 47/83

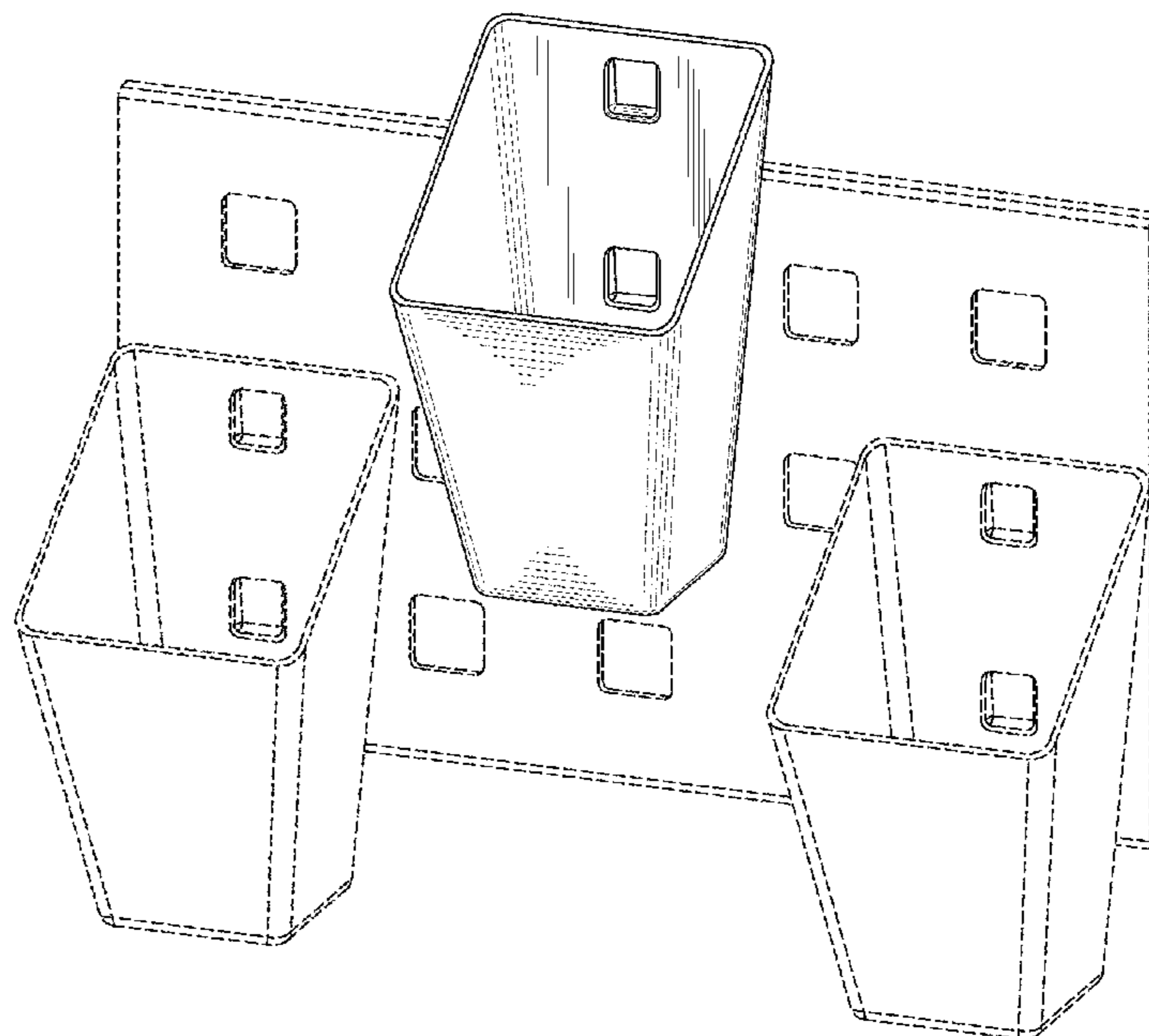
\* cited by examiner

*Primary Examiner* — Robert M Spear  
*Assistant Examiner* — Marissa J Cash  
(74) *Attorney, Agent, or Firm* — Eckert Seamans Cherin & Mellott, LLC; David C. Jenkins

(57) **CLAIM**  
The ornamental design for a planter for a wall garden, as shown and described.

**DESCRIPTION**  
FIG. 1 is an isometric view of a planter for a wall garden;  
FIG. 2 is a front view of a planter for a wall garden;  
FIG. 3 is a back view of a planter for a wall garden;  
FIG. 4 is a top view of a planter for a wall garden;  
FIG. 5 is a bottom view of a planter for a wall garden;  
FIG. 6 is a right side view of a planter for a wall garden; and,  
FIG. 7 is a left side view of a planter for a wall garden.  
The broken lines in the drawings depict environmental subject matter only and form no part of the claimed design.

**1 Claim, 6 Drawing Sheets**



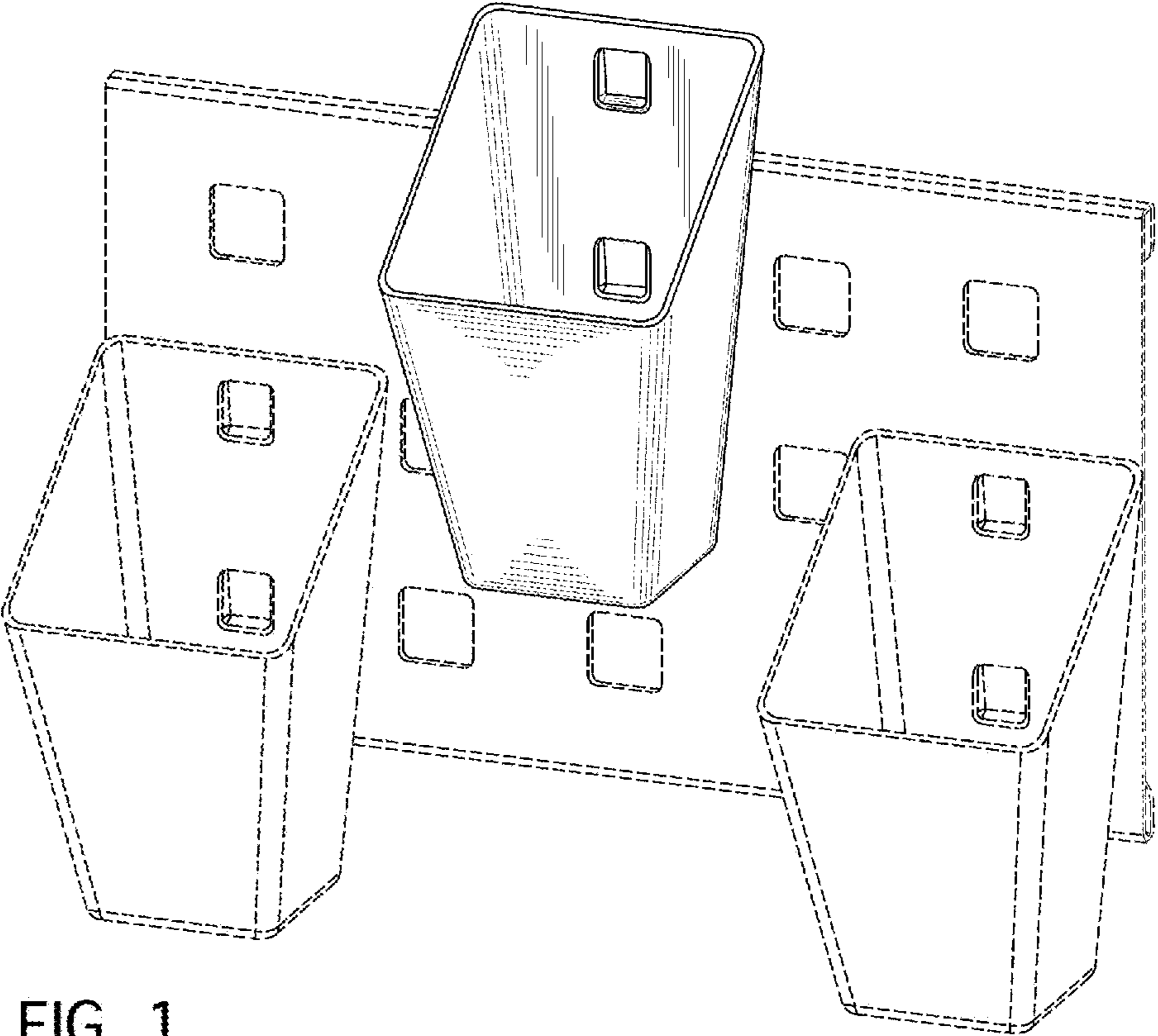


FIG. 1

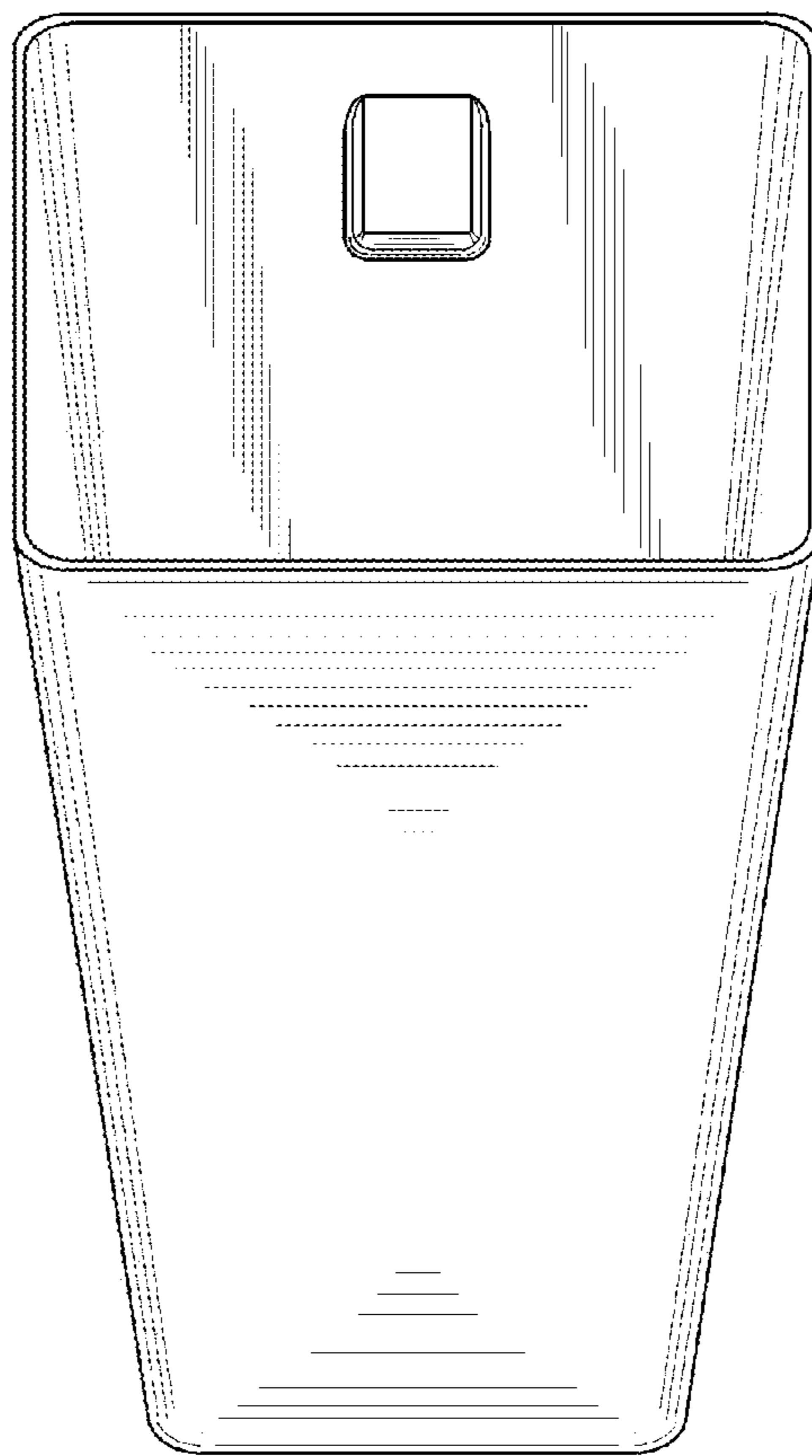


FIG. 2

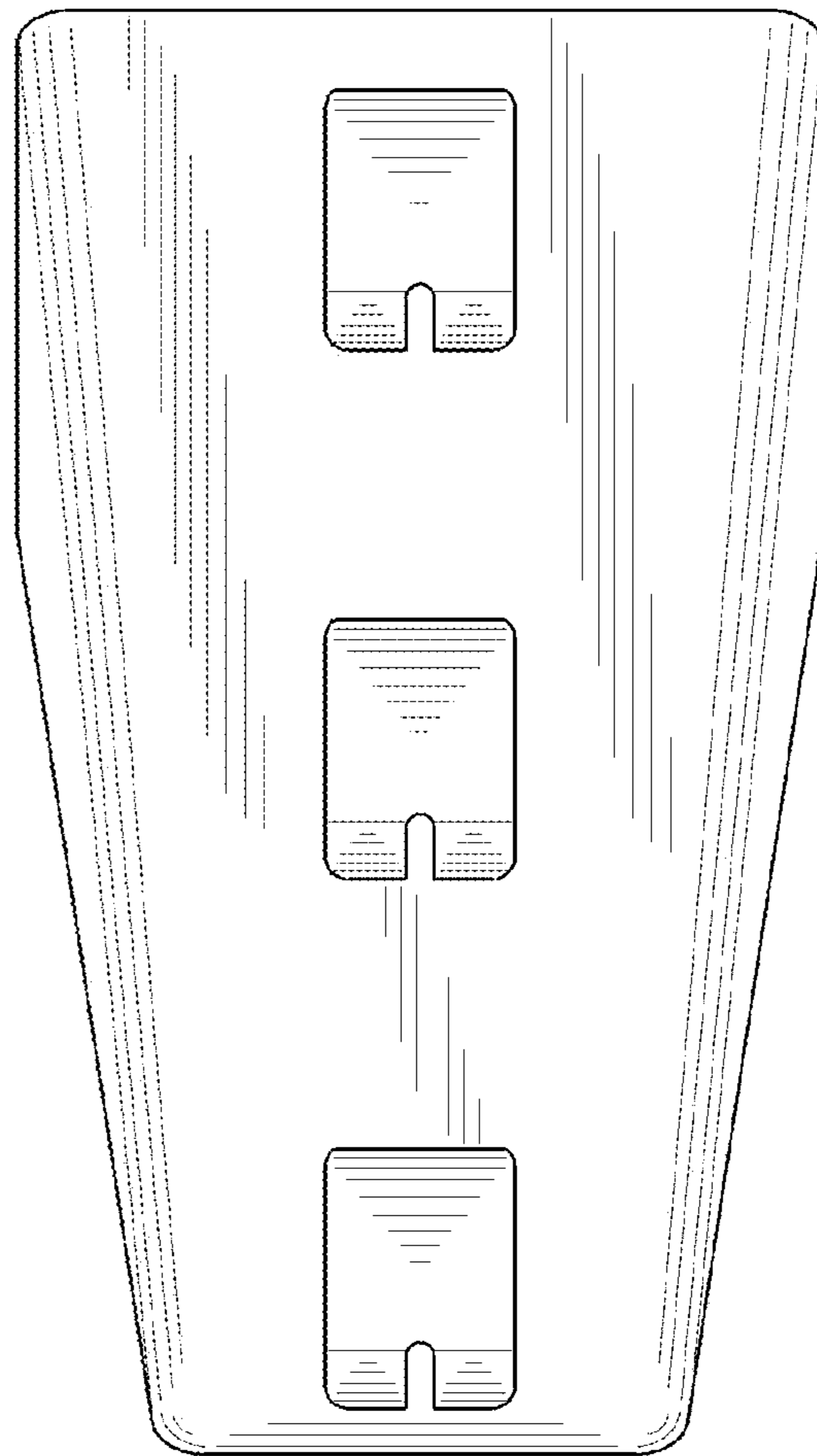


FIG. 3

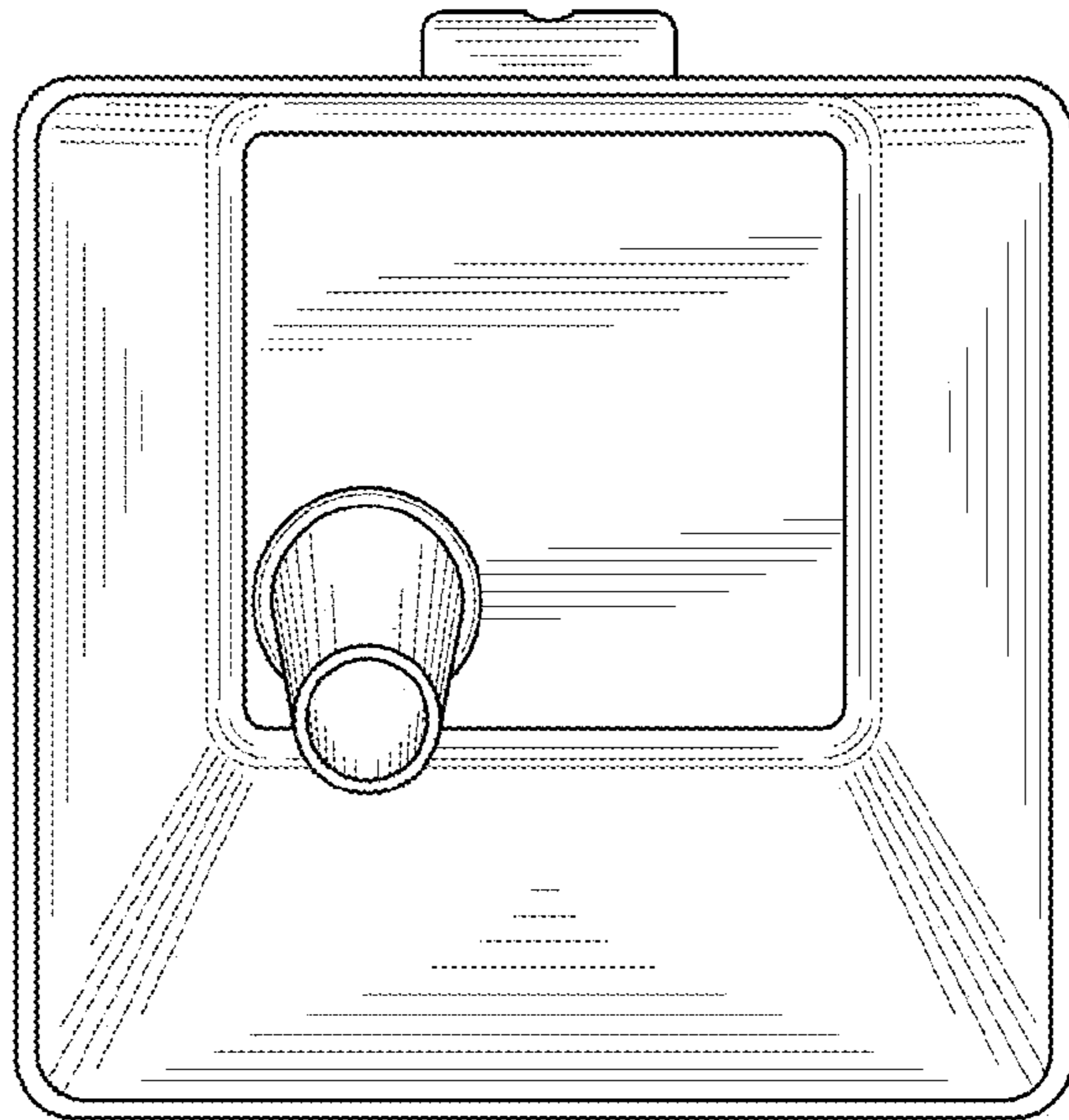


FIG. 4

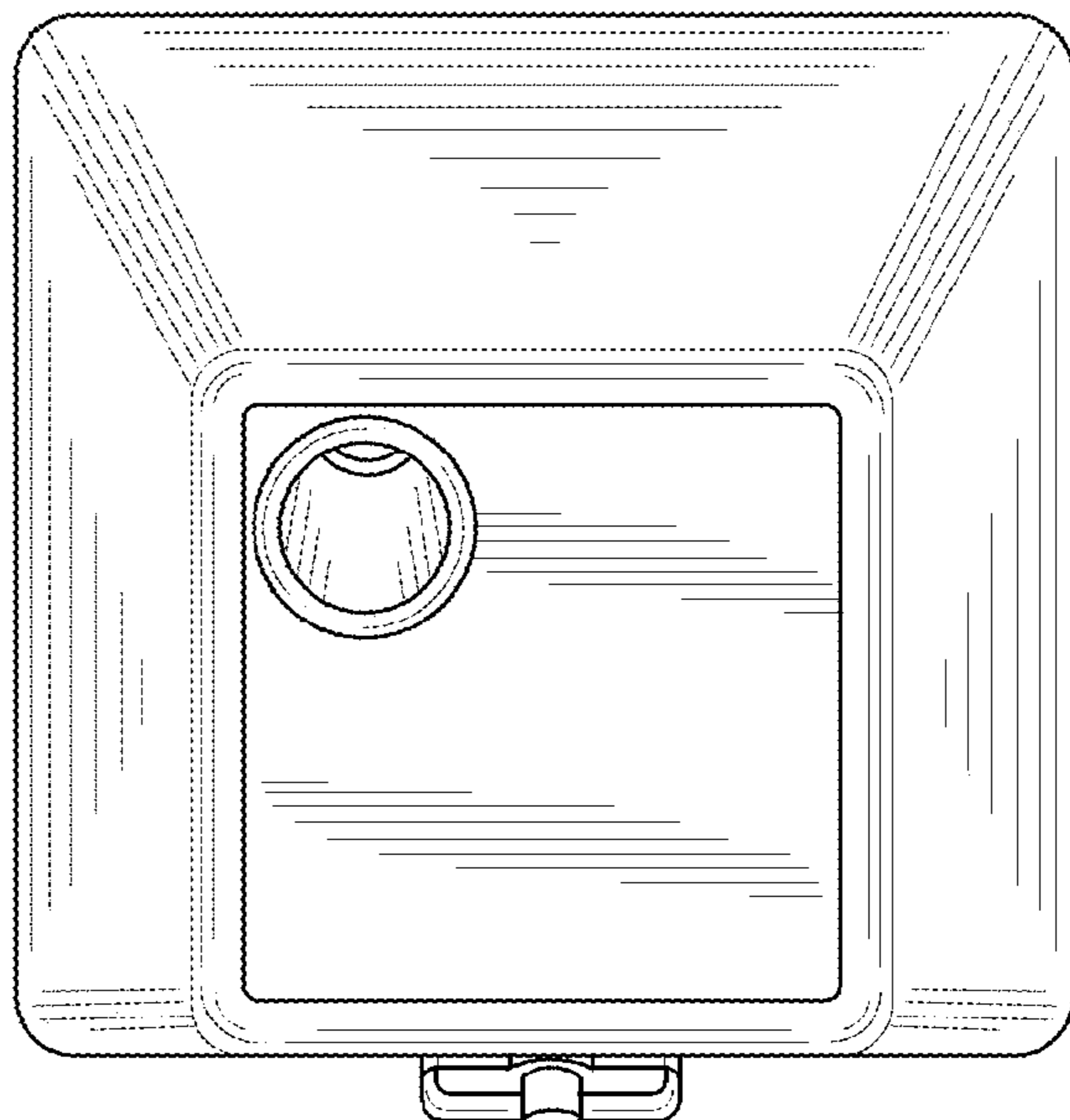


FIG. 5

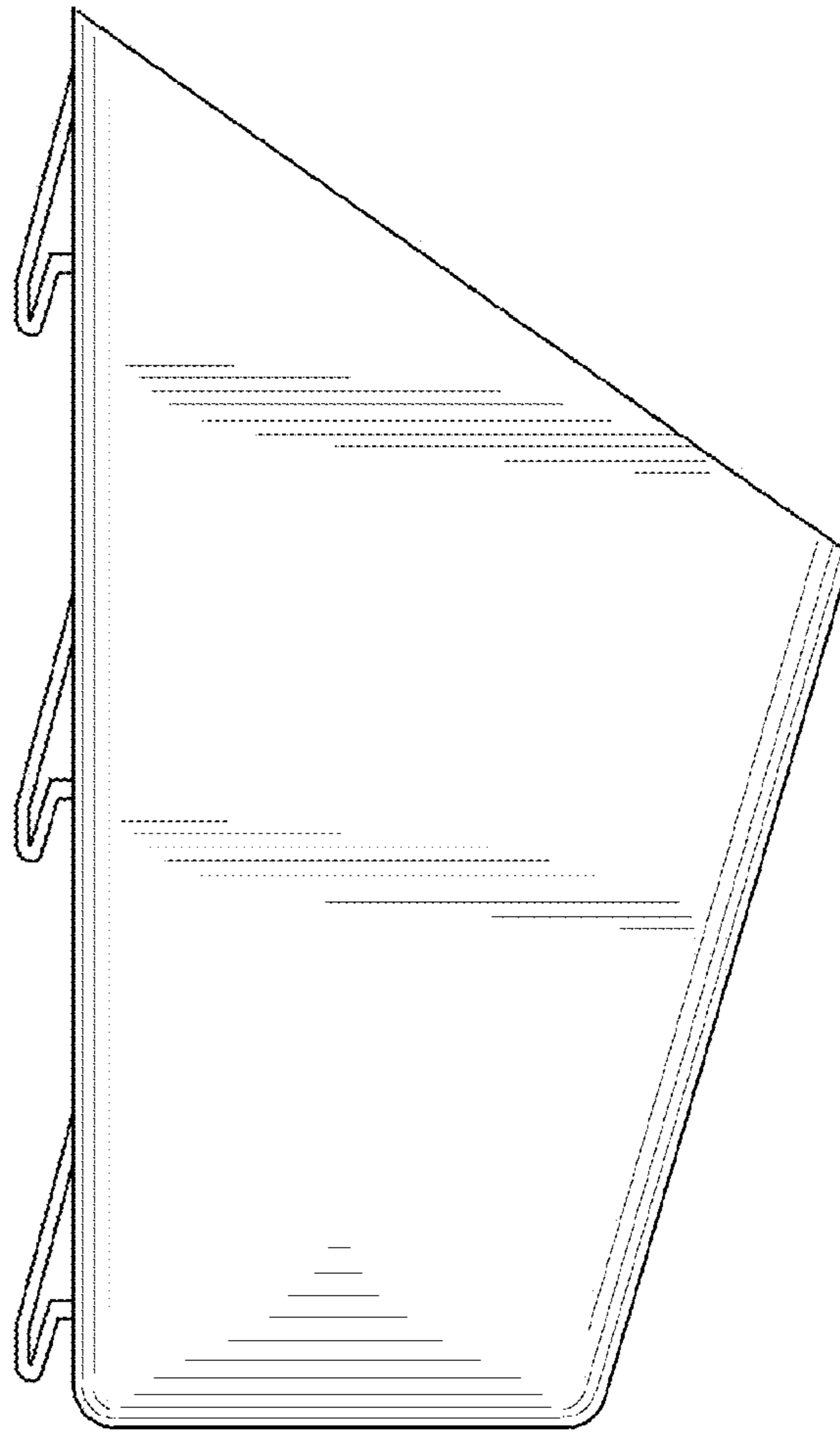


FIG. 6

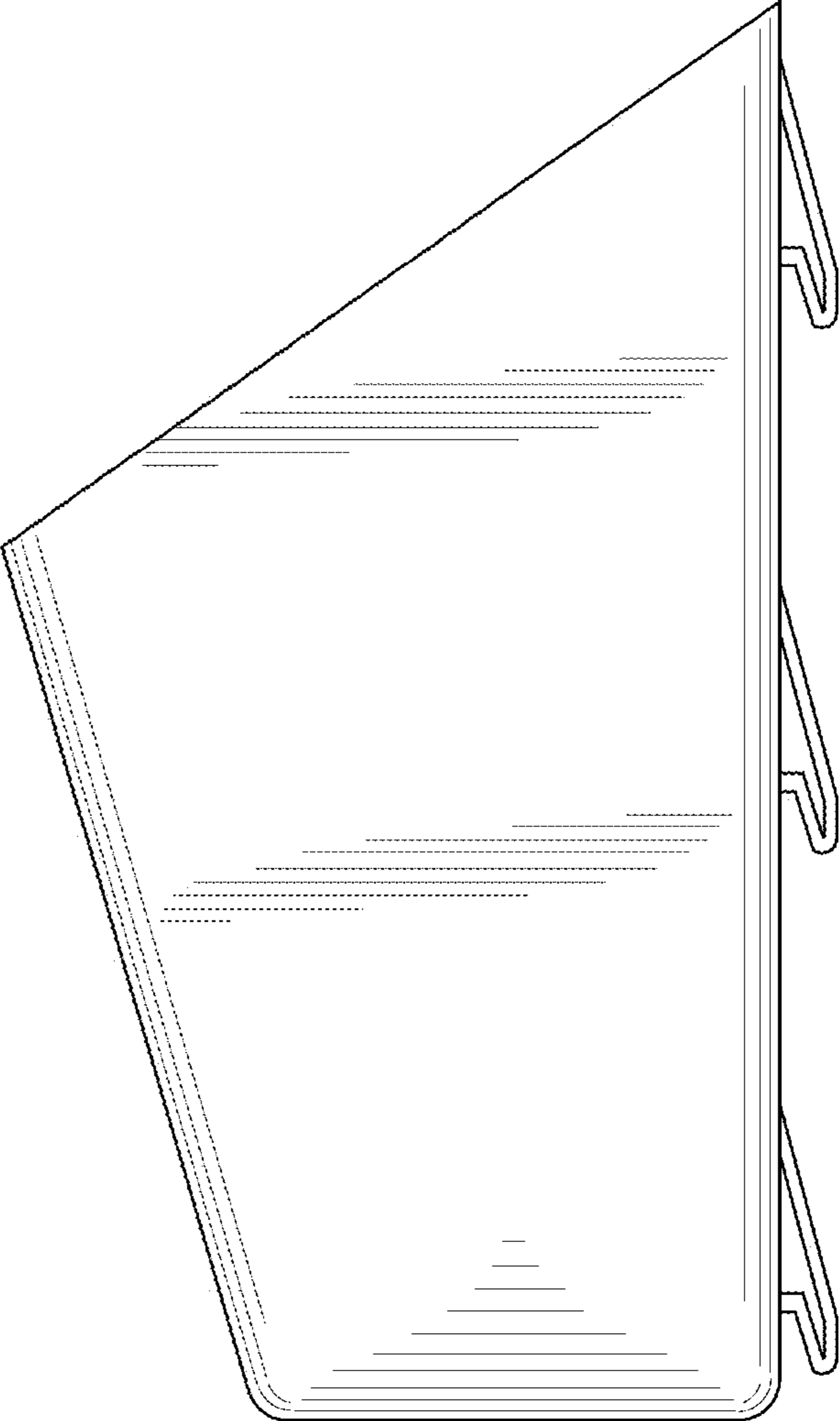


FIG. 7