



US00D724480S

(12) **United States Design Patent**
Wylie et al.

(10) **Patent No.:** **US D724,480 S**
(45) **Date of Patent:** **** Mar. 17, 2015**

- (54) **SEED PLANTER**
- (71) Applicants: **Cynthia Wylie**, Venice, CA (US);
Cassandra Hegyes, Venice, CA (US)
- (72) Inventors: **Cynthia Wylie**, Venice, CA (US);
Cassandra Hegyes, Venice, CA (US)
- (73) Assignee: **Bloomers Edutainment LLC**, Venice,
CA (US)
- (**) Term: **14 Years**
- (21) Appl. No.: **29/484,331**
- (22) Filed: **Mar. 7, 2014**
- (51) **LOC (10) Cl.** **11-02**
- (52) **U.S. Cl.**
USPC **D11/146**
- (58) **Field of Classification Search**
CPC A01G 9/02; A01G 9/022; A01G 9/04;
A01G 9/042; A01G 9/045; A01G 9/10;
A47G 7/045; A47G 7/047
USPC D6/403, 404, 405; D11/143-156.164;
D26/55; 47/17, 39, 41.01, 65.5, 65.7,
47/65.9, 66.6, 66.7; D1/102, 103, 104;
426/91, 134
See application file for complete search history.

5,536,054	A *	7/1996	Liaw	294/219
5,690,535	A *	11/1997	Coleman et al.	446/236
5,820,437	A *	10/1998	Coleman et al.	446/196
5,919,079	A *	7/1999	Coleman et al.	446/487
5,938,153	A *	8/1999	Coleman et al.	248/160
6,092,332	A *	7/2000	Roess et al.	47/83
6,149,333	A *	11/2000	Kershaw	401/98
6,165,495	A *	12/2000	Blankenship	424/440
6,183,334	B1 *	2/2001	Gant	446/204
6,187,352	B1 *	2/2001	Crosbie	426/104
6,190,225	B1 *	2/2001	Coleman et al.	446/73
6,471,364	B1 *	10/2002	Plante	362/34
D480,531	S *	10/2003	Colle et al.	D1/102
D491,336	S *	6/2004	Cecere	D1/102
D542,842	S *	5/2007	Schaaf	D19/42
D661,458	S *	6/2012	Mingyun et al.	D1/199

(Continued)

FOREIGN PATENT DOCUMENTS

EP 0885554 A3 9/1999

OTHER PUBLICATIONS

Garden Pops—Gourmet Seed Ball Lollipops: <http://poptasticbride.com/2011/03/floral-pops-and-garden-bon-bons/#.U1bLO6JLNtN>, Mar. 10, 2011.

Primary Examiner — Elizabeth Albert
(74) *Attorney, Agent, or Firm* — David M. Kleiman

(57) **CLAIM**
The ornamental design for a seed planter, as shown and described.

DESCRIPTION

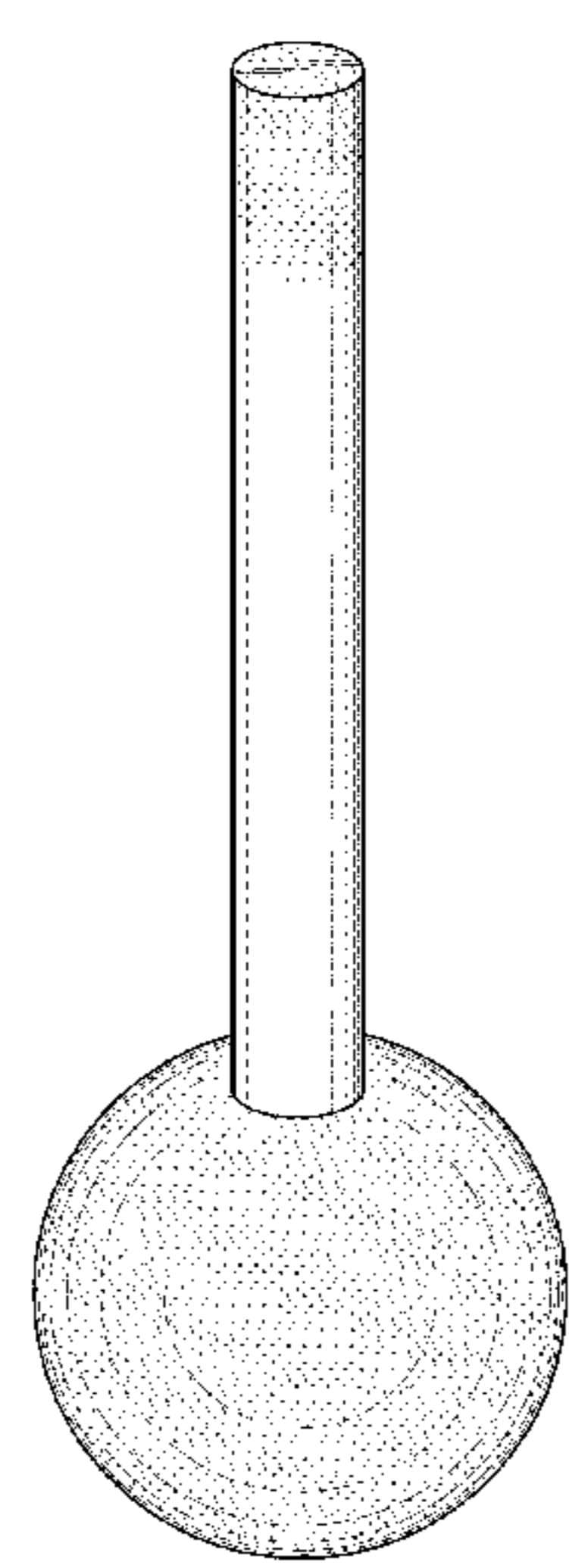
FIG. 1 is a right front perspective view of the seed planter showing my new design.
FIG. 2 is a bottom view of the seed planter.
FIG. 3 is a top view of the seed planter; and,
FIG. 4 is a right side view of the seed planter, with the left side view being identical.
The stippling on the surface indicates a contrasting color.

1 Claim, 2 Drawing Sheets

(56) **References Cited**

U.S. PATENT DOCUMENTS

2,036,706	A *	4/1936	Law	426/85
2,617,324	A *	11/1952	Brody	84/330
2,651,573	A *	9/1953	Leach	426/523
2,799,587	A *	7/1957	Schwartz	426/104
3,576,374	A *	4/1971	Lile	401/52
3,615,596	A *	10/1971	Petti et al.	426/104
D246,530	S *	11/1977	Zeischegg	D19/75
D302,323	S *	7/1989	Daniels	D26/55
5,162,037	A *	11/1992	Whitson-Fischman	600/12
D331,777	S *	12/1992	Sedlmeier et al.	D19/36
5,456,733	A	10/1995	Hamilton, Jr.	
5,471,373	A *	11/1995	Coleman et al.	362/109



(56)

References Cited

U.S. PATENT DOCUMENTS

8,256,160 B2 9/2012 Rubin
8,721,387 B2* 5/2014 Coleman et al. 446/236
2003/0228827 A1* 12/2003 Coleman et al. 446/236

2004/0156955 A1* 8/2004 Klima 426/104
2005/0239367 A1* 10/2005 Fernandez 446/73
2009/0286448 A1* 11/2009 Lopez 446/71
2011/0239535 A1 10/2011 Conrad

* cited by examiner

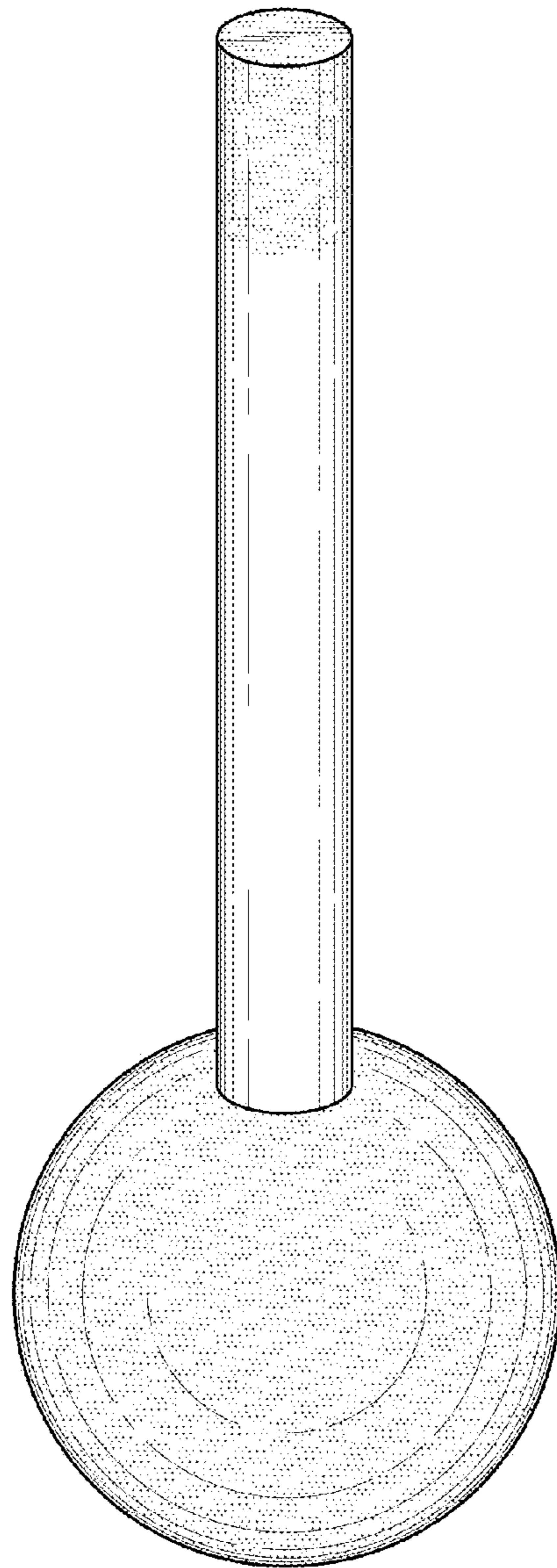


Fig. 1

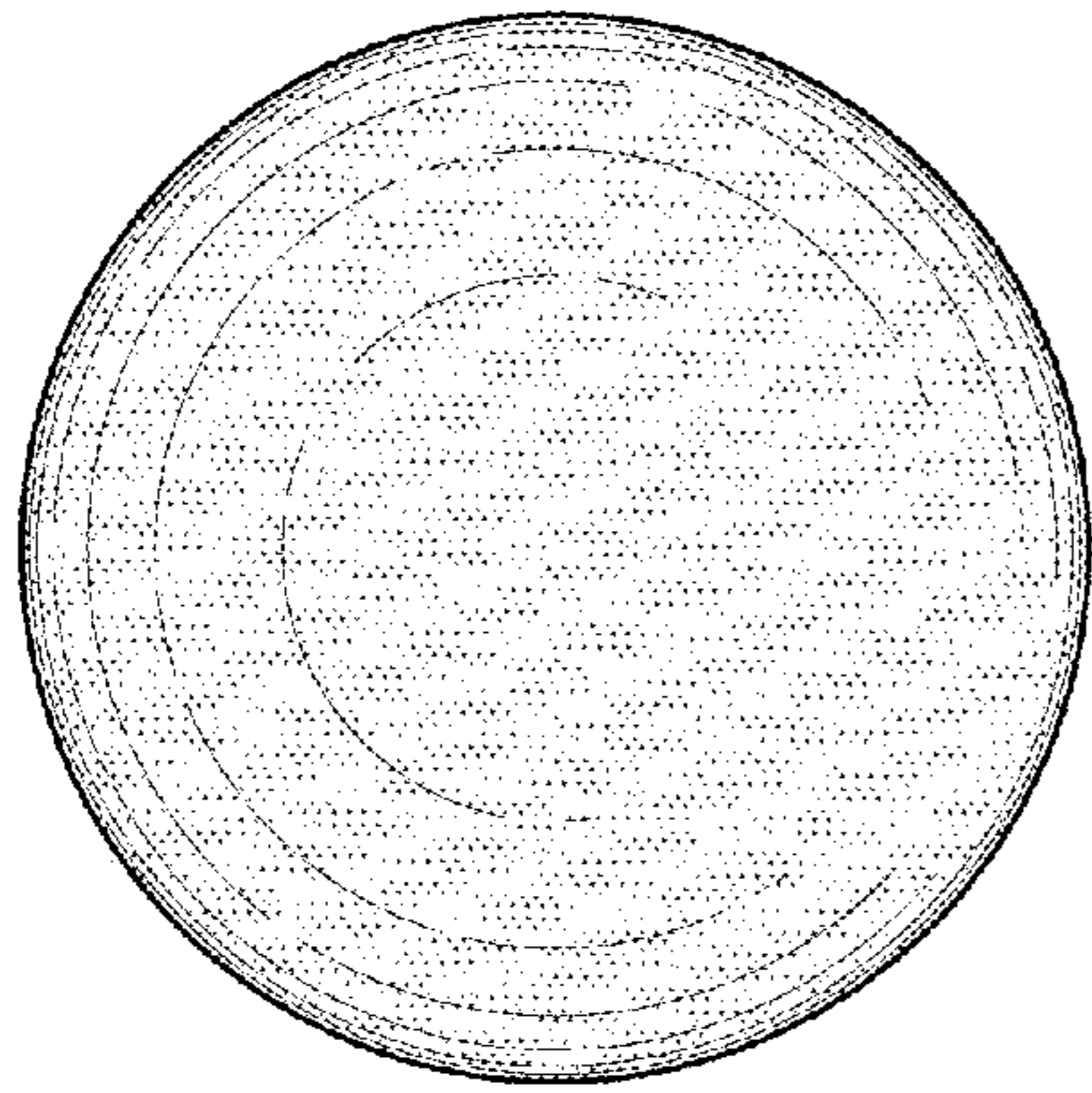


Fig. 2

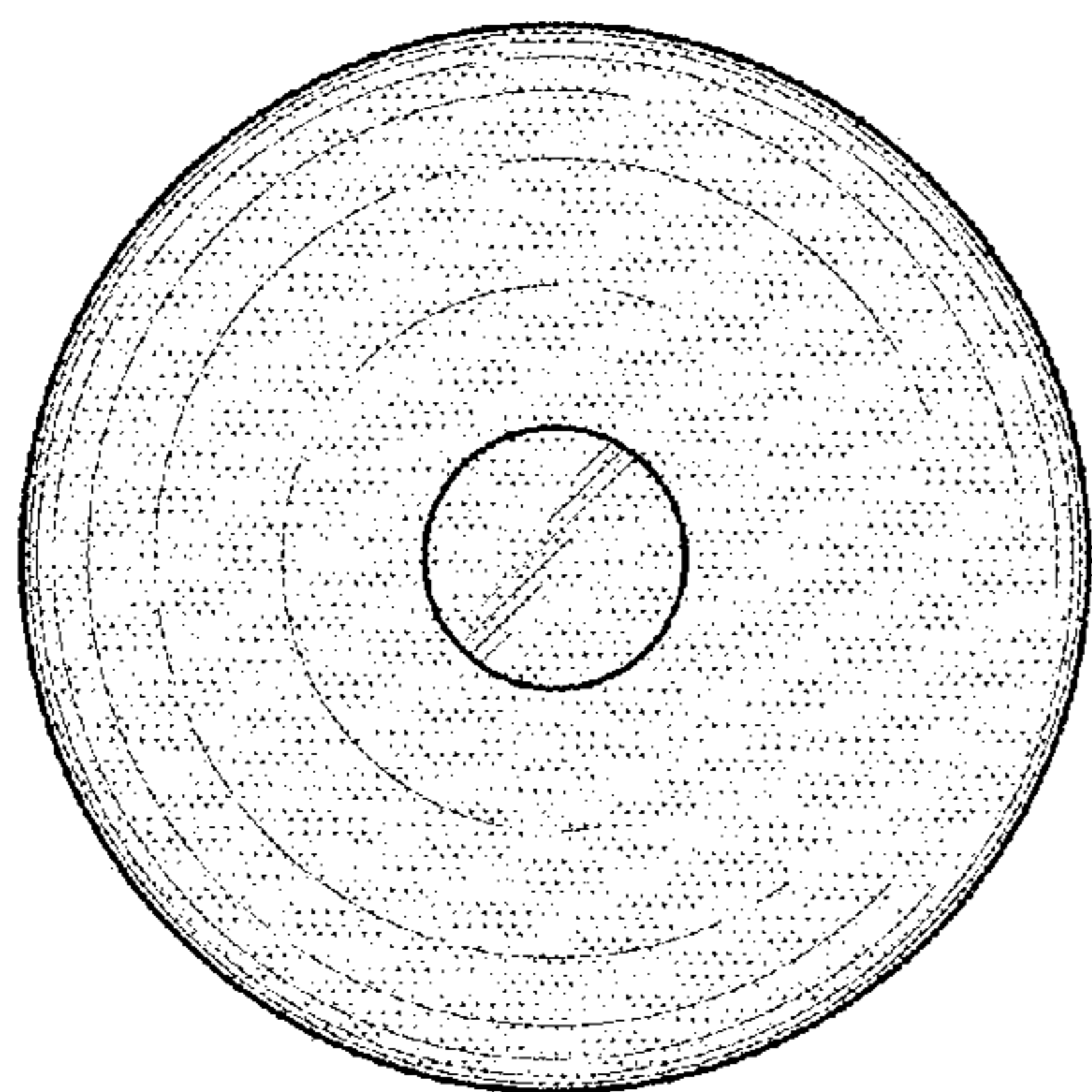


Fig. 3

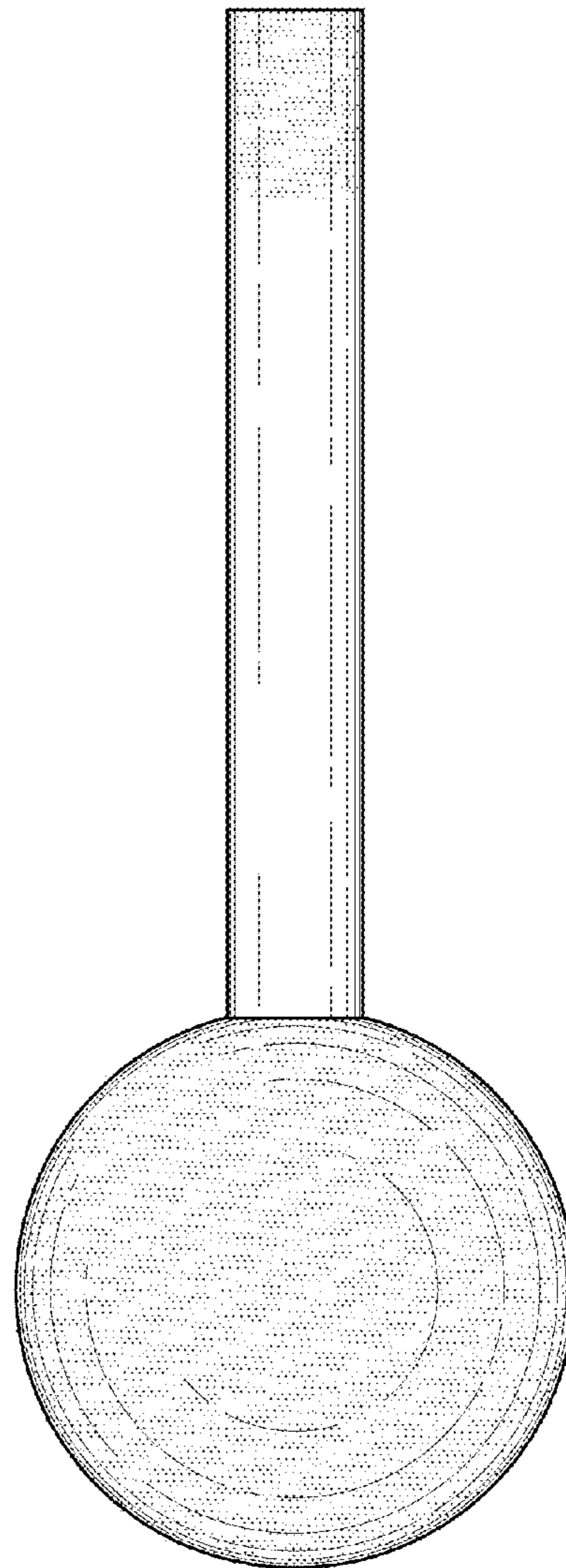


Fig. 4