



US00D724479S

(12) **United States Design Patent**
Cerrato

(10) **Patent No.:** **US D724,479 S**
(45) **Date of Patent:** **** Mar. 17, 2015**

(54) **WATCH CLASP**

(71) Applicant: **Tudor Watch U.S.A. LLC**, New York,
NY (US)

(72) Inventor: **Davide Cerrato**, Geneva (CH)

(73) Assignee: **Tudor Watch U.S.A., LLC**, New York,
NY (US)

(**) Term: **14 Years**

(21) Appl. No.: **29/489,494**

(22) Filed: **Apr. 30, 2014**

(30) **Foreign Application Priority Data**

Nov. 1, 2013 (CH) 140195

(51) **LOC (10) Cl.** **11-01**

(52) **U.S. Cl.**
USPC **D11/93**

(58) **Field of Classification Search**
CPC A44C 5/107
USPC D11/1-25, 32, 93, 94; 59/78, 79.2;
63/1.11, 3, 3.1, 3.2, 5.1, 5.2, 7-11;
224/175; D10/30-32

See application file for complete search history.

(56) **References Cited**

U.S. PATENT DOCUMENTS

D284,951 S *	8/1986	Chodat	D11/4
D286,516 S *	11/1986	Chodat	D11/3
D293,302 S *	12/1987	Schoepfer	D11/3
D368,046 S *	3/1996	Fujisawa	D11/3
D382,495 S *	8/1997	Chun	D10/32
D409,943 S *	5/1999	Chodat	D11/22
D441,682 S *	5/2001	Wikberg	D11/3
D445,055 S *	7/2001	Subilia	D11/3
D474,125 S *	5/2003	Haquet	D11/12
D498,694 S *	11/2004	Calvani	D11/16
D583,270 S *	12/2008	Gueit	D11/3
2007/0125123 A1 *	6/2007	Sierro	63/3.2
2012/0312052 A1 *	12/2012	Yliluoma et al.	63/10

* cited by examiner

Primary Examiner — Zenia Bennett

(74) *Attorney, Agent, or Firm* — Sughrue Mion, PLLC

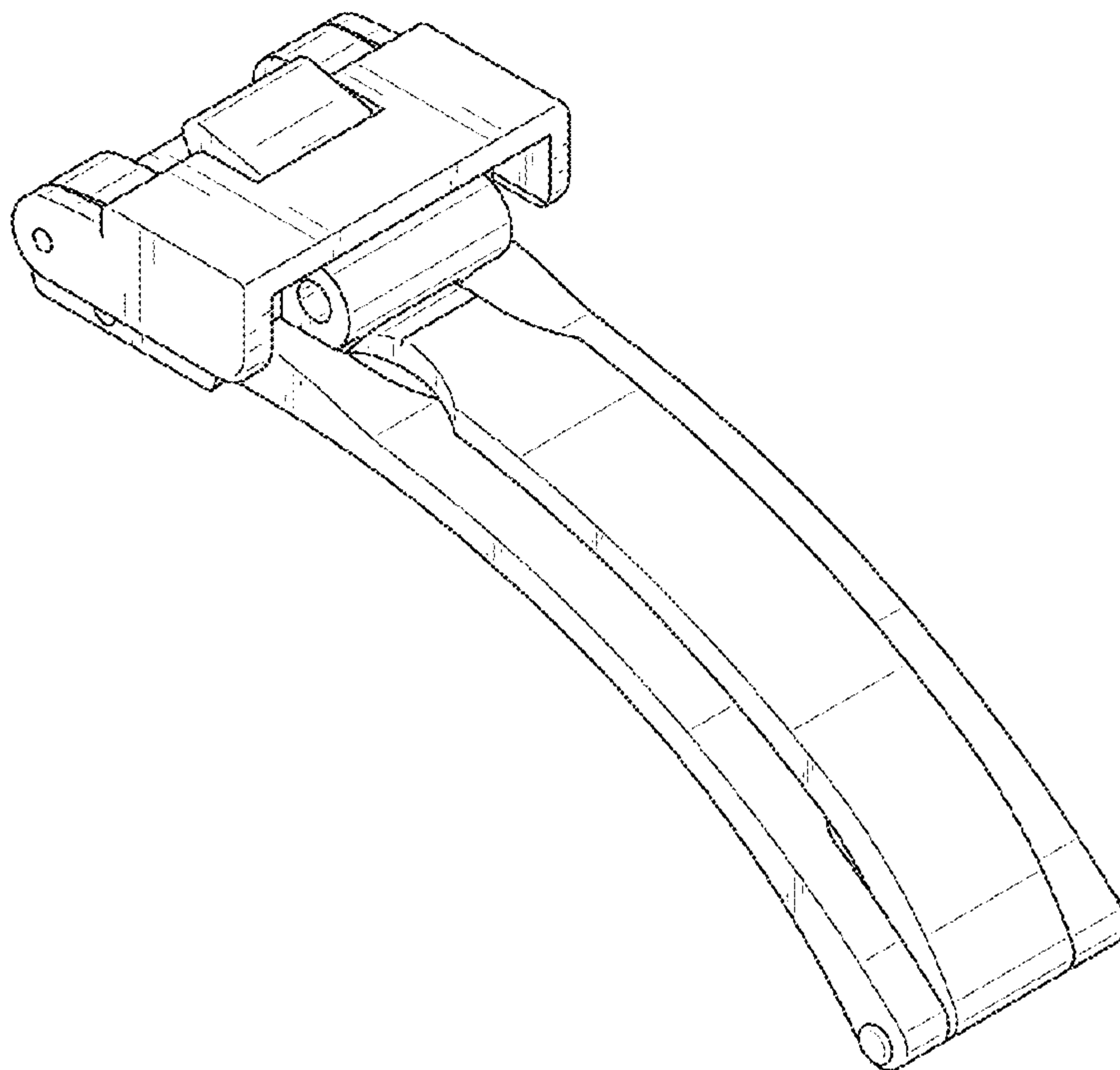
(57) **CLAIM**

The ornamental design for a watch clasp, as shown and described.

DESCRIPTION

FIG. 1 is a perspective view of a watch clasp showing my new design;
FIG. 2 is a front view thereof;
FIG. 3 is a rear view thereof;
FIG. 4 is a first side view thereof;
FIG. 5 is a second side view thereof;
FIG. 6 is a first end view thereof; and,
FIG. 7 is a second end view thereof.

1 Claim, 4 Drawing Sheets



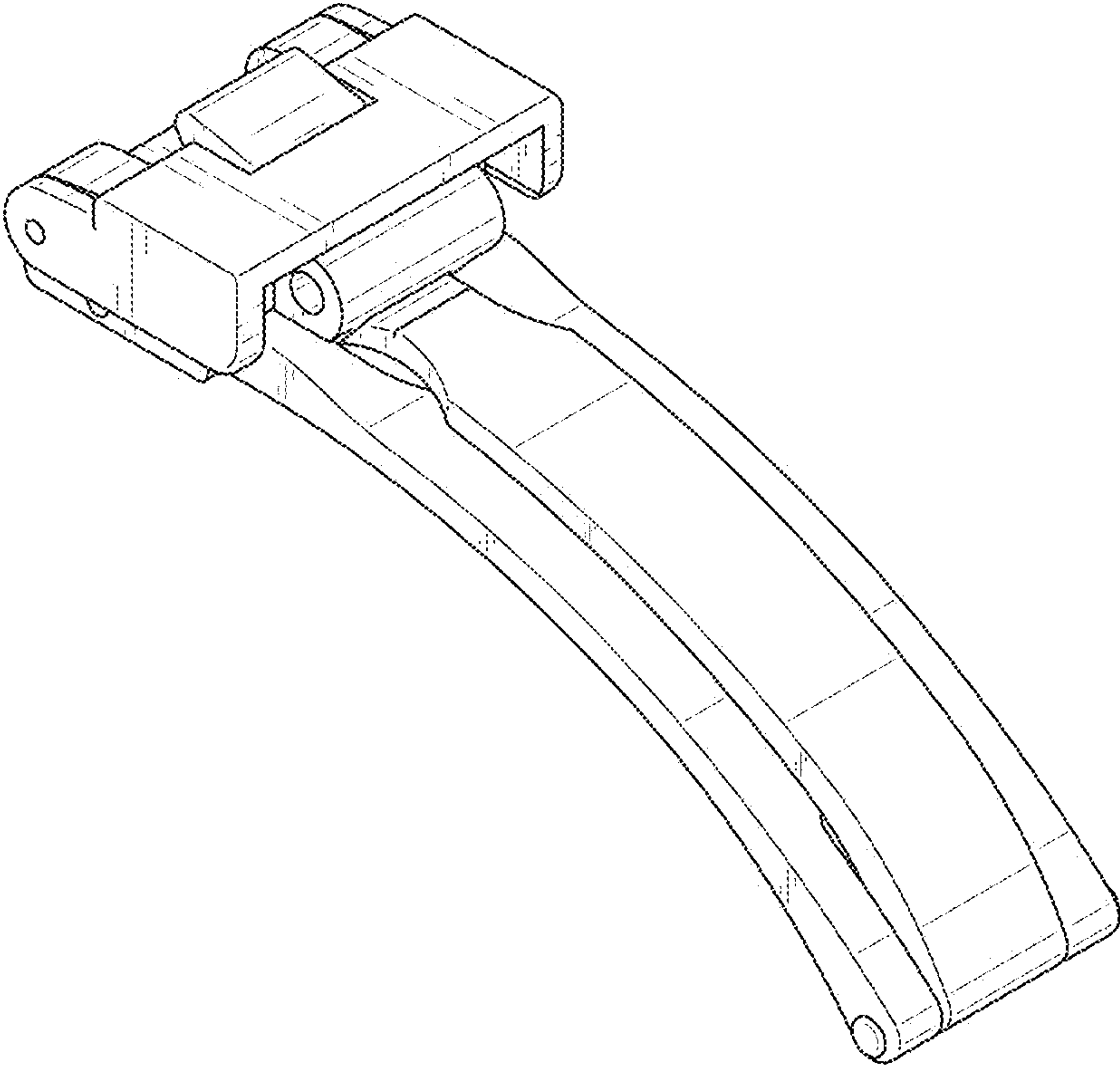


FIG. 1

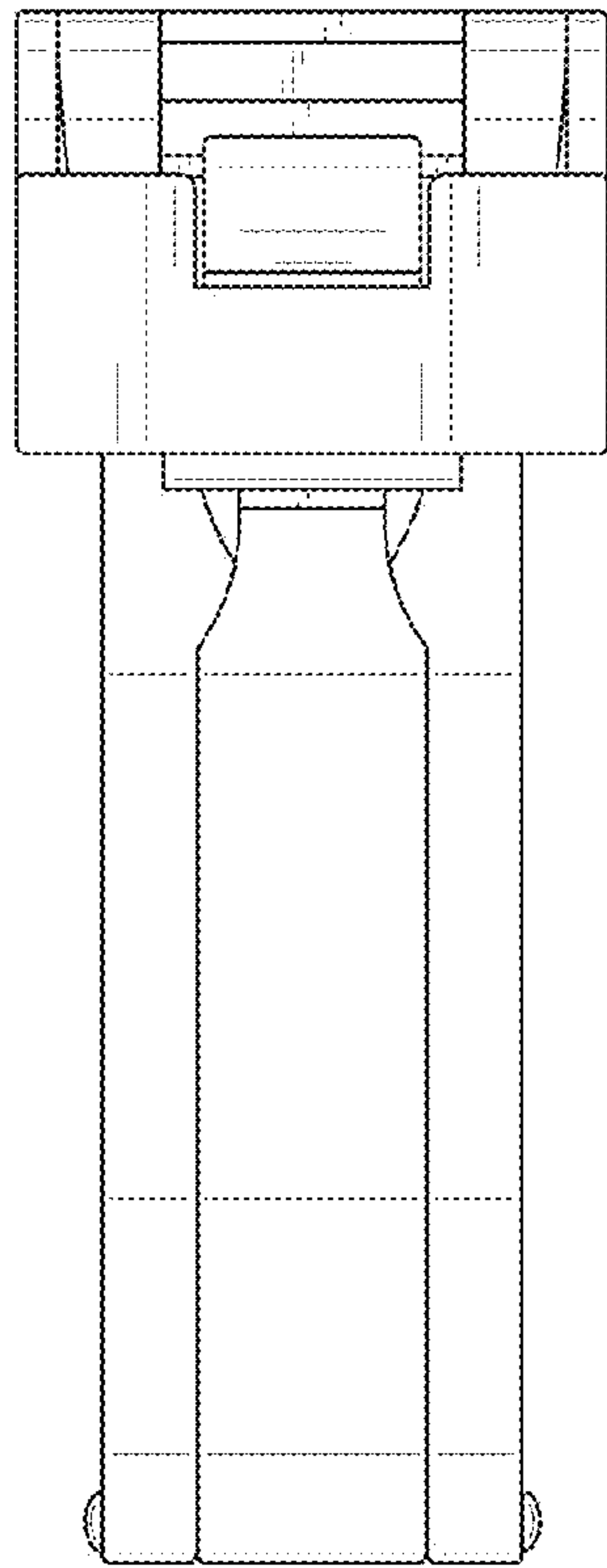


FIG. 2

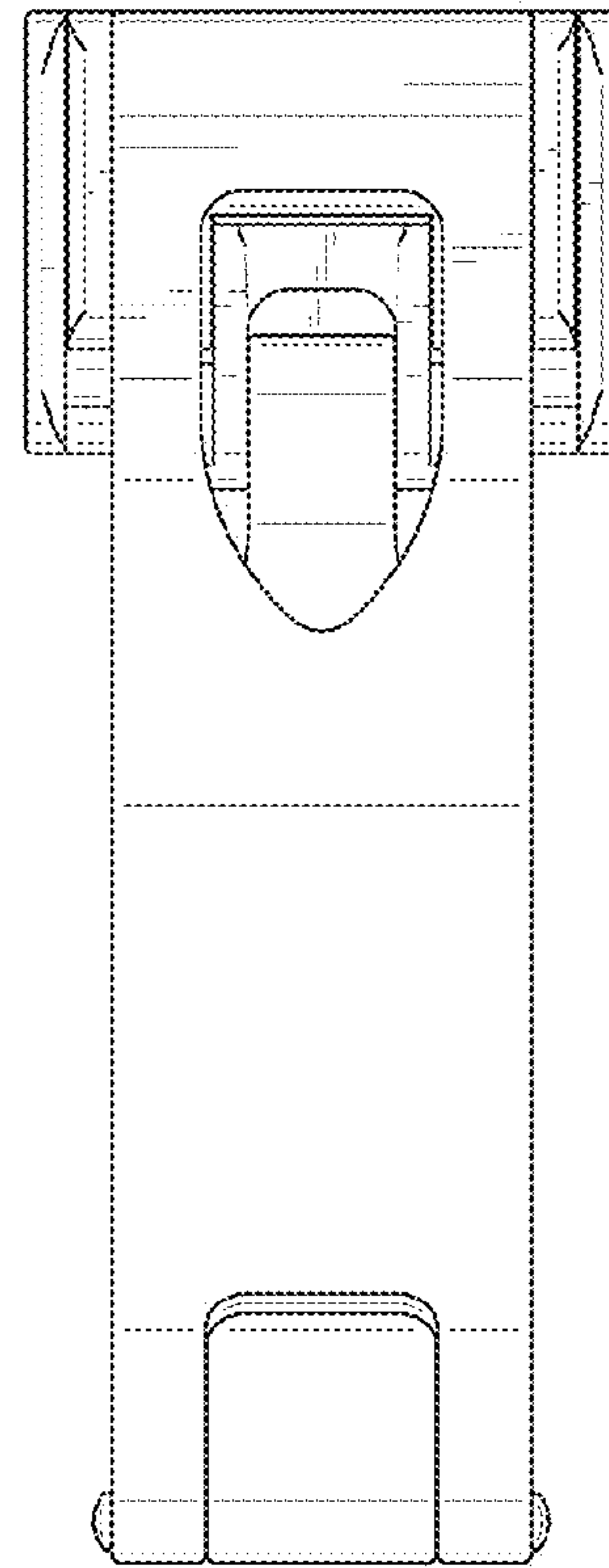


FIG. 3

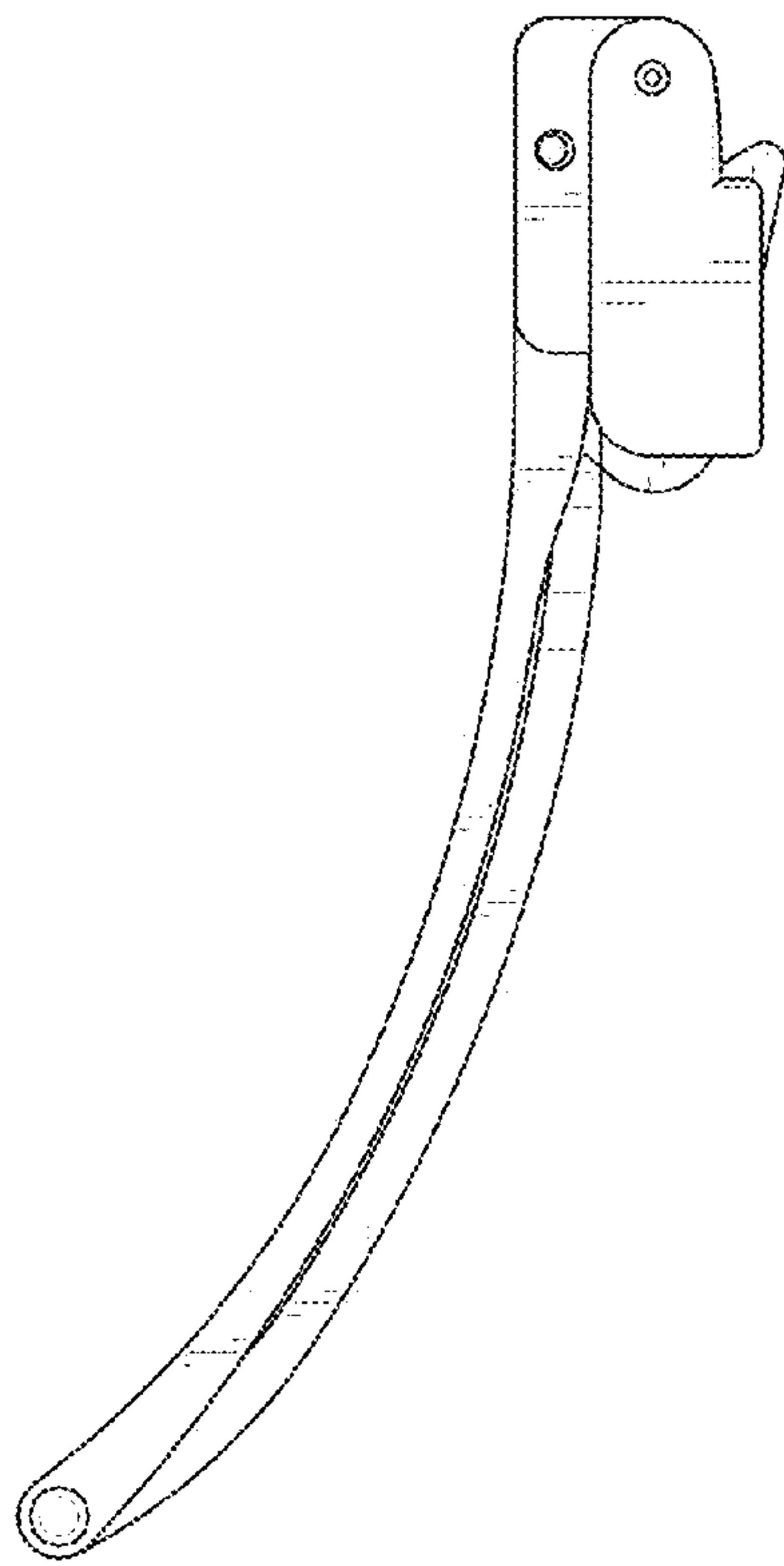


FIG. 4

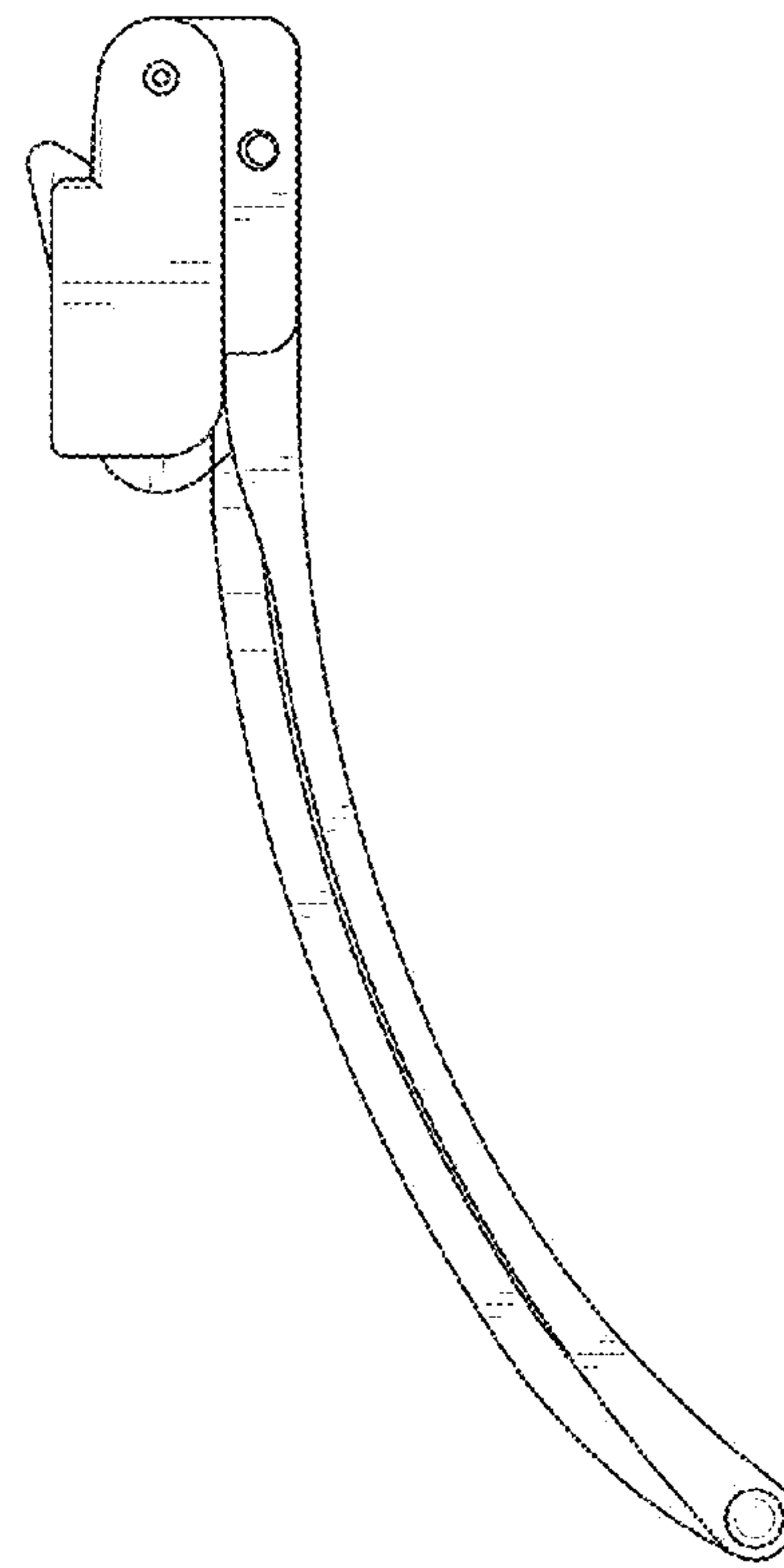


FIG. 5

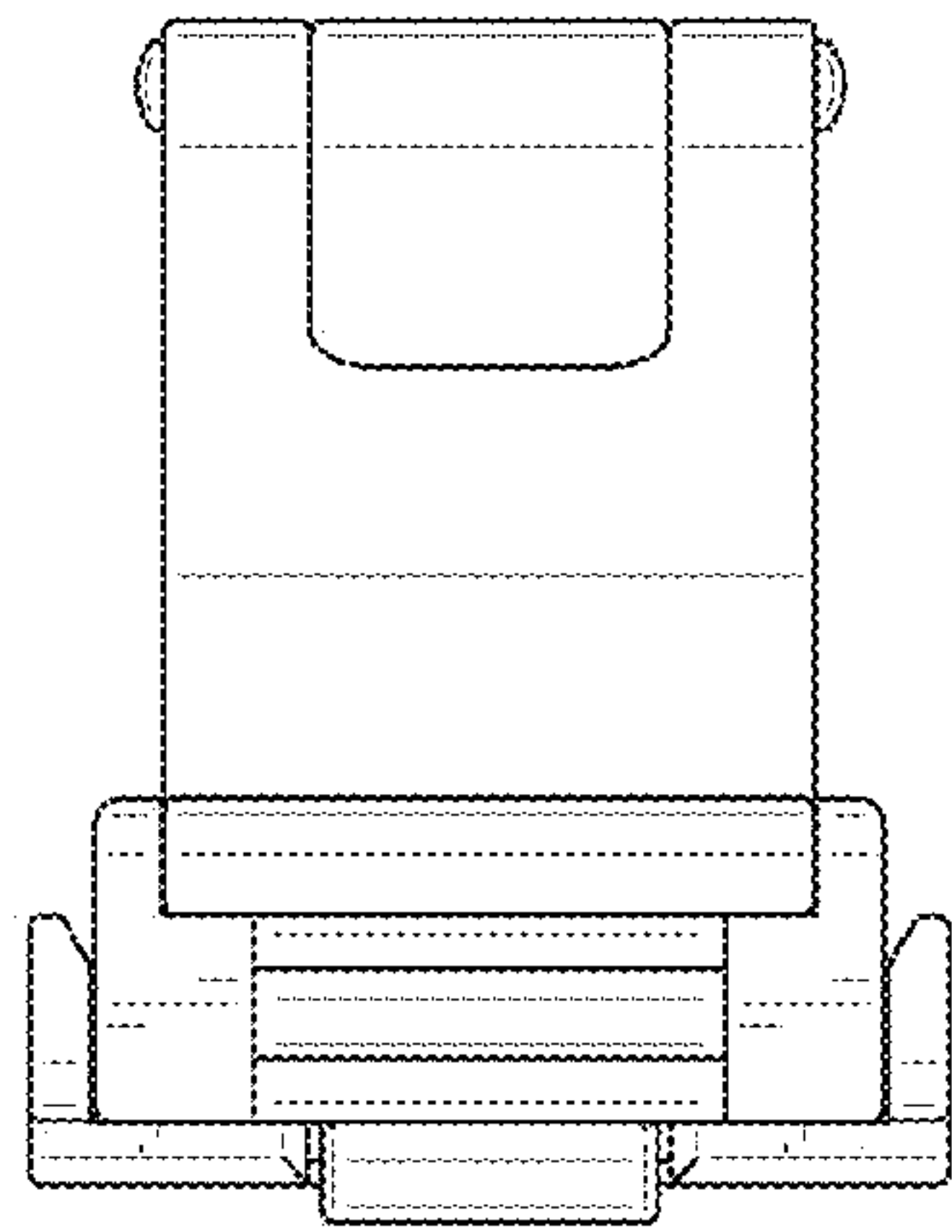


FIG. 6

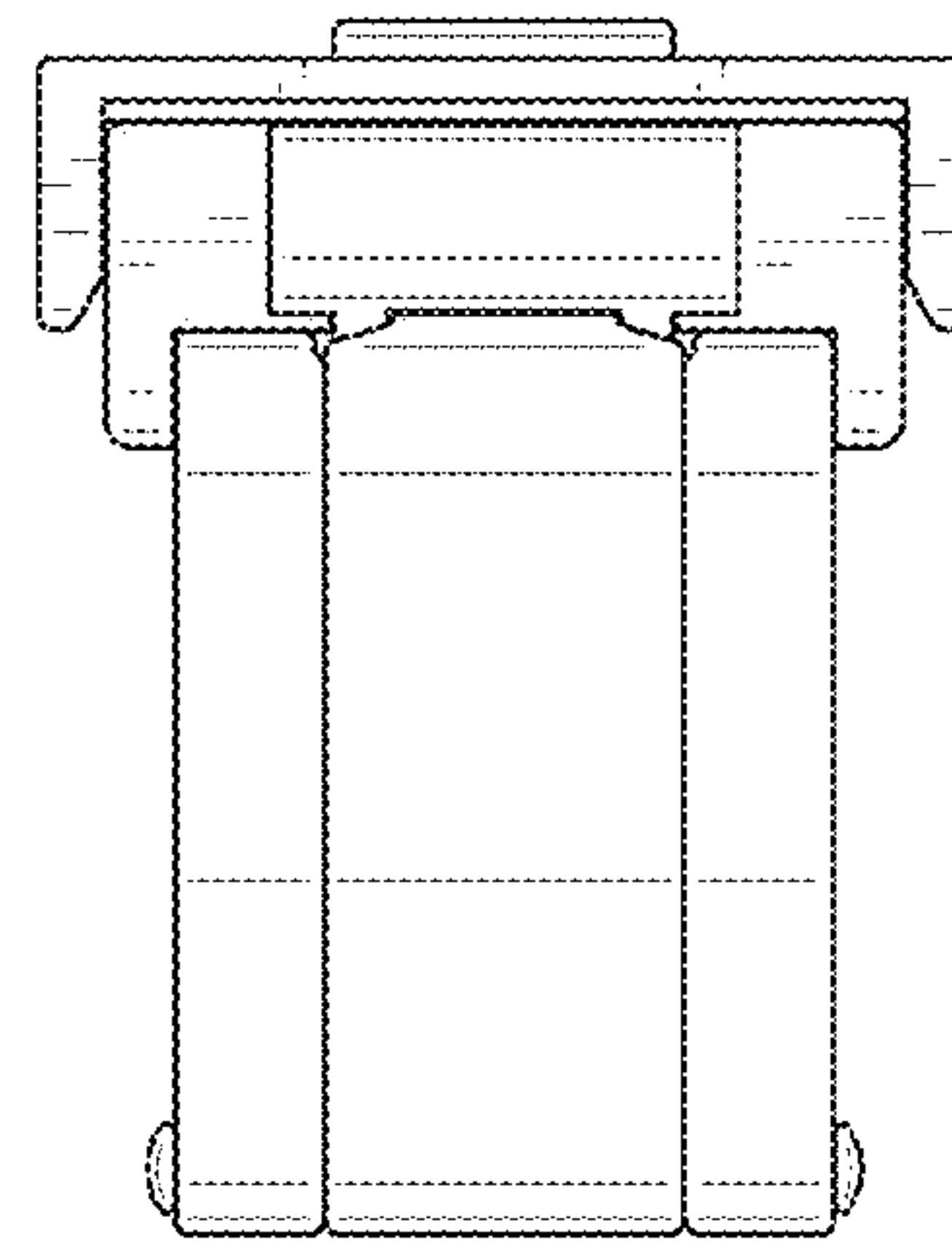


FIG. 7