



US00D724469S

(12) **United States Design Patent**
Akana et al.

(10) **Patent No.:** **US D724,469 S**
(45) **Date of Patent:** **** Mar. 17, 2015**

(54) **BAND**

(71) Applicant: **Apple Inc.**, Cupertino, CA (US)

(72) Inventors: **Jody Akana**, San Francisco, CA (US);
Bartley K. Andre, Palo Alto, CA (US);
Shota Aoyagi, San Francisco, CA (US);
Anthony Michael Ashcroft, San Francisco, CA (US);
Jeremy Bataillou, San Francisco, CA (US);
Daniel J. Coster, San Francisco, CA (US);
Daniele De Iuliis, San Francisco, CA (US);
M. Evans Hankey, San Francisco, CA (US);
Julian Hoenig, San Francisco, CA (US);
Richard P. Howarth, San Francisco, CA (US);
Jonathan P. Ive, San Francisco, CA (US);
Duncan Robert Kerr, San Francisco, CA (US);
Marc A. Newson, London (GB);
Matthew Dean Rohrbach, San Francisco, CA (US);
Peter Russell-Clarke, San Francisco, CA (US);
Benjamin Andrew Shaffer, San Jose, CA (US);
Mikael Silvanto, San Francisco, CA (US);
Christopher J. Stringer, Woodside, CA (US);
Eugene Antony Whang, San Francisco, CA (US);
Rico Zörkendörfer, San Francisco, CA (US)

(73) Assignee: **Apple Inc.**, Cupertino, CA (US)

(**) Term: **14 Years**

(21) Appl. No.: **29/498,995**

(22) Filed: **Aug. 11, 2014**

(51) **LOC (10) Cl.** **11-01**

(52) **U.S. Cl.**
USPC **D11/3**

(58) **Field of Classification Search**
USPC D11/1-25; D10/30-39, 70, 46; 24/456,
24/574.1, 587.11, 587.12, 578.15;
600/301; 224/164, 175; 368/276, 281,
368/282, 285

See application file for complete search history.

(56) **References Cited**

U.S. PATENT DOCUMENTS

482,289 A 9/1892 Ziegler
505,473 A 9/1893 Mehring

(Continued)

FOREIGN PATENT DOCUMENTS

DE 20319858 U1 4/2004
EM 002297770-0003 6/2013

(Continued)

OTHER PUBLICATIONS

[Online] <http://everydaydigitals.com/heres-what-i-think/21/apples-wearable-device-will-be-more-nike-fuel-band-than-pebble-watch>. Retrieved Dec. 25, 2014.*

(Continued)

Primary Examiner — Garth Rademaker

Assistant Examiner — Melanie Pellegrini

(74) *Attorney, Agent, or Firm* — Sterne, Kessler, Goldstein & Fox P.L.L.C.

(57) **CLAIM**

The ornamental design for a band, as shown and described.

DESCRIPTION

FIG. 1 is a bottom front perspective view of a band showing our new design;

FIG. 2 is a bottom rear perspective view thereof;

FIG. 3 is a front view thereof;

FIG. 4 is a rear view thereof;

FIG. 5 is a left side view thereof;

FIG. 6 is a right side view thereof;

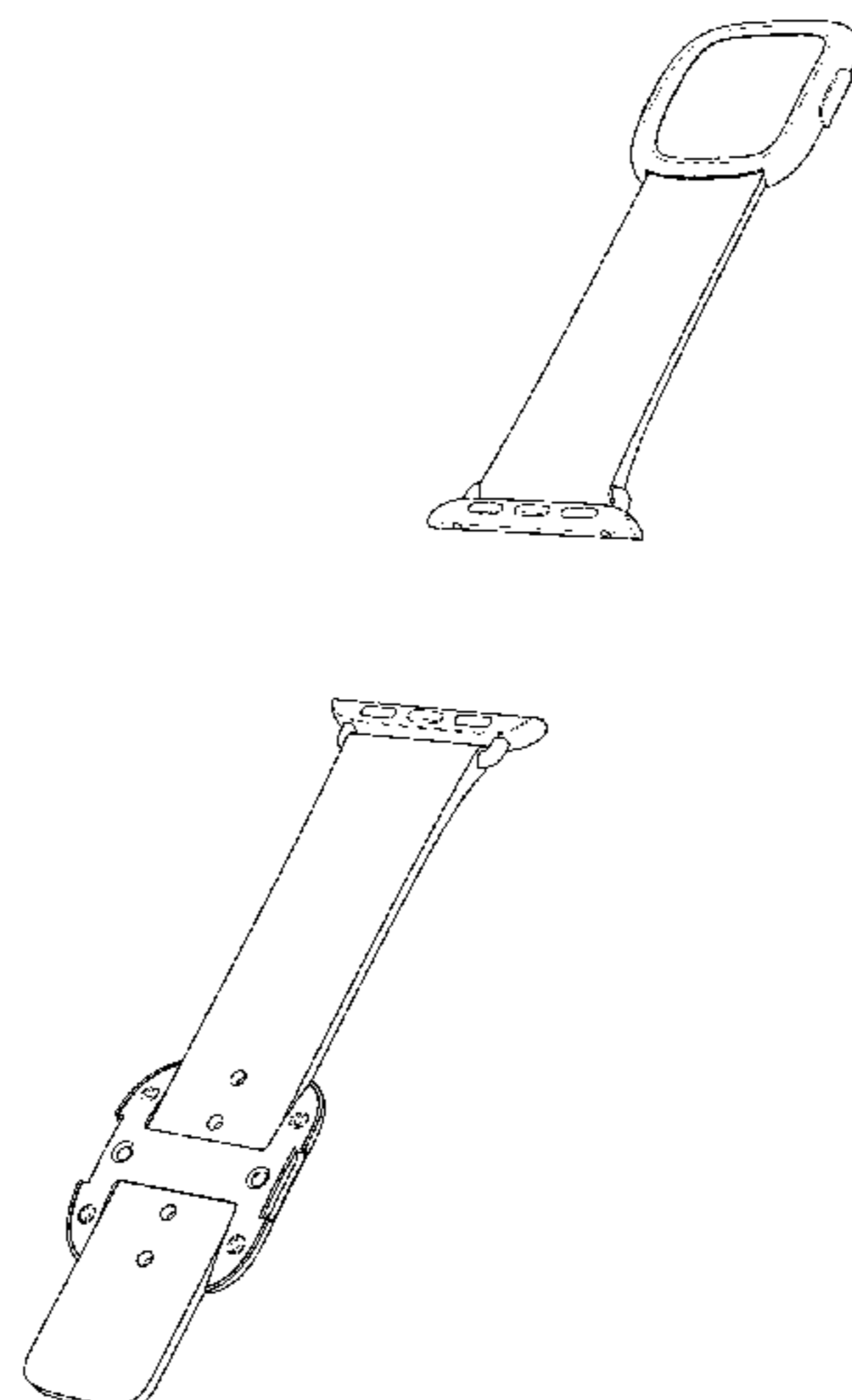
FIG. 7 is a top view thereof;

FIG. 8 is a bottom view thereof; and,

FIG. 9 is a perspective view thereof in an environment in which it may be used.

The broken lines in FIG. 9 show environment that forms no part of the claimed design.

1 Claim, 6 Drawing Sheets



(56)

References Cited

U.S. PATENT DOCUMENTS

1,712,734	A	5/1929	Kraemer	
2,280,490	A	4/1942	Keltie	
3,030,686	A	4/1962	Burkhardt	
3,665,565	A	5/1972	Kruger	
3,675,284	A	7/1972	Rieth	
4,470,174	A	9/1984	Rhea	
5,363,351	A	11/1994	Carney	
D473,818	S	4/2003	Salvisberg	
D494,098	S	8/2004	Cohen	
D564,367	S *	3/2008	Molyneux	D10/31
D566,580	S *	4/2008	Giorgio	D10/32
7,406,789	B2 *	8/2008	Story	40/633
7,591,581	B2 *	9/2009	Lovegrove et al.	368/281
D628,510	S *	12/2010	Maier	D11/3
8,601,784	B2	12/2013	Kaltenrieder	
D711,002	S *	8/2014	Ohnemus et al.	D24/186
D718,170	S *	11/2014	Aumiller et al.	D11/3
2014/0096345	A1	4/2014	Tschumi	
2014/0098649	A1	4/2014	Tschumi	

FOREIGN PATENT DOCUMENTS

EP	2636328	A1	9/2013
GB	618917	A	3/1949
GB	2082277		5/1984
GB	2088761		2/2000
JP	H08336406	A	12/1996
WO	D012262-001		1/1989
WO	2013182397	A1	12/2013

OTHER PUBLICATIONS

[Online] <http://www.computerworlduk.com/slideshow/mobile-wireless/3573389/the-many-looks-of-the-apple-watch/6/#content>. Retrieved Dec. 25, 2014.*

etsy.com, “1 Set Silver End Cap Clasp—Findings Large Toggle Clasp End Caps Buckle Connector with Five Inside Loops for Jewelry Making 26mm,” <[http://www.etsy.com/listing/101269004/1-](http://www.etsy.com/listing/101269004/1-set-silver-end-cap-clasp-findings?ref=market)

set-silver-end-cap-clasp-findings?ref=market>, Listed on Aug. 29, 2014, accessed Oct. 9, 2014.

Metawatch, “Frame—Black (MW3005),” <<http://meta.watch/collections/smartwatch-all/products/frame-ss-black-leather>>, accessed Dec. 15, 2014.

“Pebble Smartwatch,” getpebble.com, <<https://getpebble.com/checkout>>, accessed Dec. 15, 2014.

Velazco, Chris, “Asus ZenWatch review: subtle and stylish, with a few shortcomings,” Engadget.com, <<http://www.engadget.com/2014/12/11/asus-zenwatch-review/>>, dated Dec. 11, 2014, accessed Dec. 15, 2014.

Design U.S. Appl. No. 29/498,996, filed Aug. 11, 2014.

Design U.S. Appl. No. 29/498,997, filed Aug. 11, 2014.

Design U.S. Appl. No. 29/499,052, filed Aug. 11, 2014.

Design U.S. Appl. No. 29/499,061, filed Aug. 11, 2014.

Design U.S. Appl. No. 29/499,067, filed Aug. 11, 2014.

Design U.S. Appl. No. 29/499,068, filed Aug. 11, 2014.

Design U.S. Appl. No. 29/499,069, filed Aug. 11, 2014.

Design U.S. Appl. No. 29/499,080, filed Aug. 11, 2014.

Design U.S. Appl. No. 29/499,081, filed Aug. 11, 2014.

Design U.S. Appl. No. 29/499,082, filed Aug. 11, 2014.

Design U.S. Appl. No. 29/499,088, filed Aug. 11, 2014.

Design U.S. Appl. No. 29/499,090, filed Aug. 11, 2014.

Design U.S. Appl. No. 29/499,091, filed Aug. 11, 2014.

Design U.S. Appl. No. 29/501,152, filed Sep. 2, 2014.

Design U.S. Appl. No. 29/501,624, filed Sep. 5, 2014.

Design U.S. Appl. No. 29/501,720, filed Sep. 8, 2014.

Design U.S. Appl. No. 29/501,722, filed Sep. 8, 2014.

Design U.S. Appl. No. 29/501,723, filed Sep. 8, 2014.

Design U.S. Appl. No. 29/501,733, filed Sep. 8, 2014.

Design U.S. Appl. No. 29/501,737, filed Sep. 8, 2014.

Design U.S. Appl. No. 29/501,746, filed Sep. 8, 2014.

Design U.S. Appl. No. 29/501,759, filed Sep. 8, 2014.

Design U.S. Appl. No. 29/501,760, filed Sep. 8, 2014.

Design U.S. Appl. No. 29/501,763, filed Sep. 8, 2014.

Design U.S. Appl. No. 29/501,766, filed Sep. 8, 2014.

Design U.S. Appl. No. 29/501,772, filed Sep. 8, 2014.

Design U.S. Appl. No. 29/501,775, filed Sep. 8, 2014.

* cited by examiner

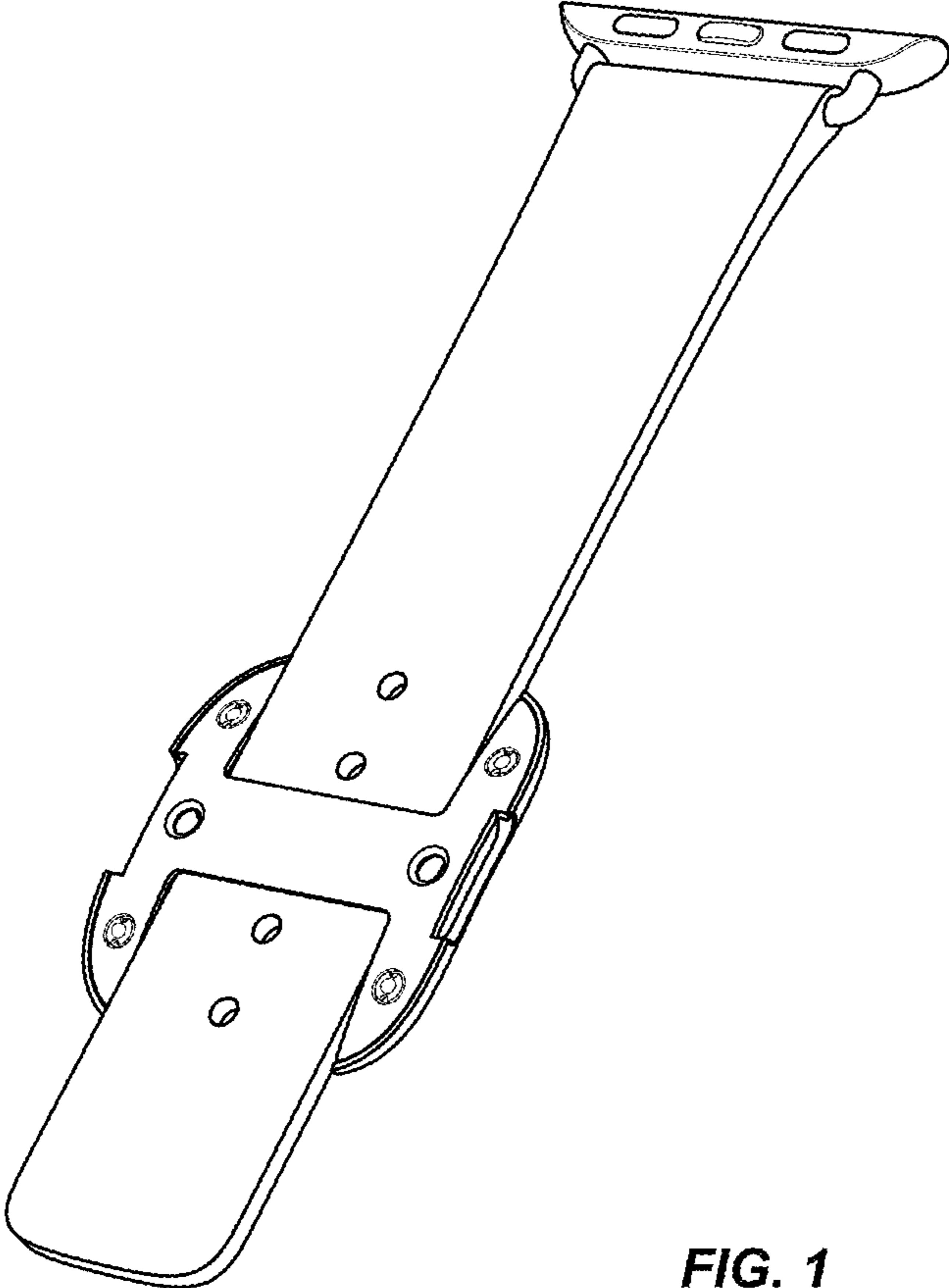
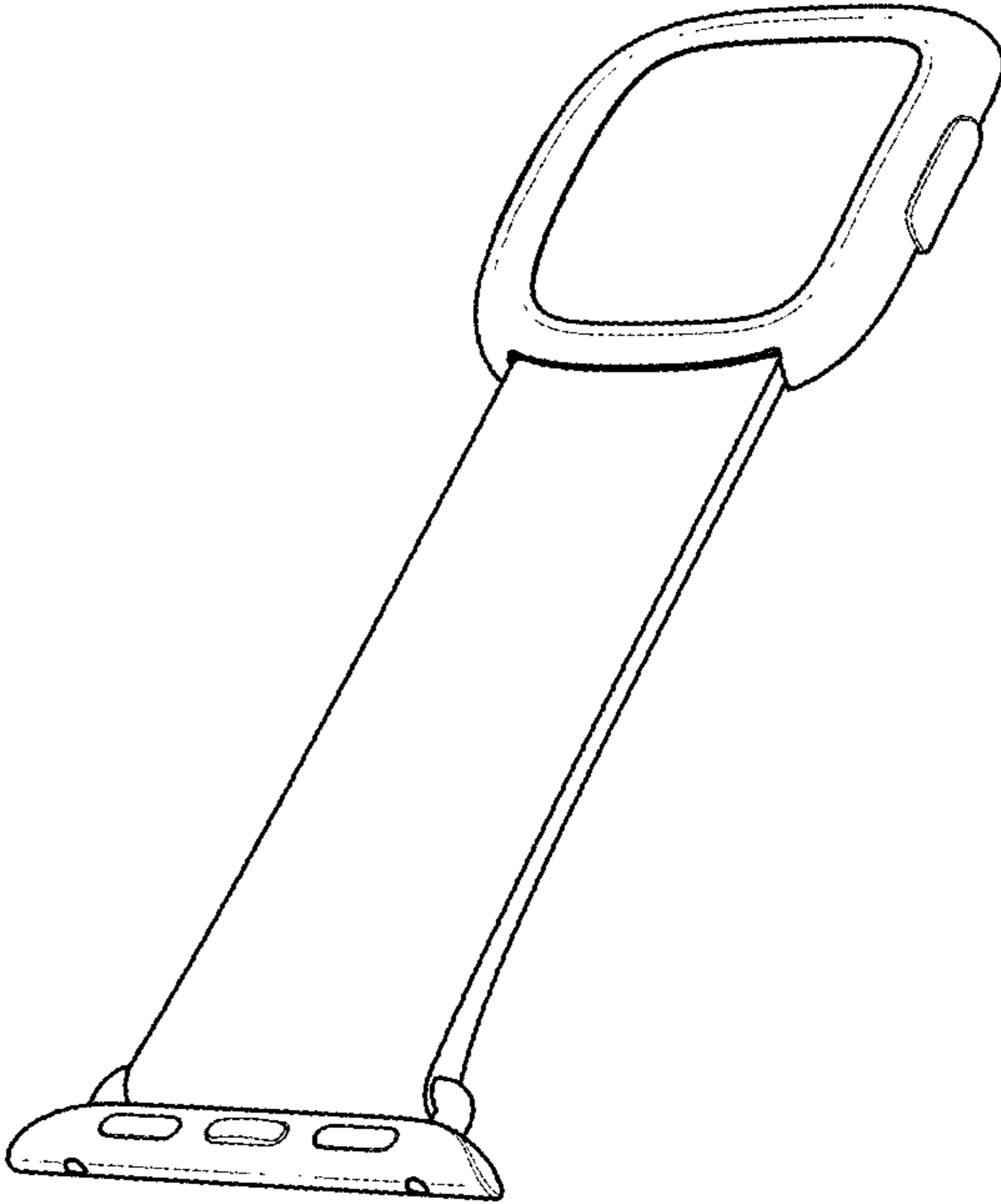


FIG. 1

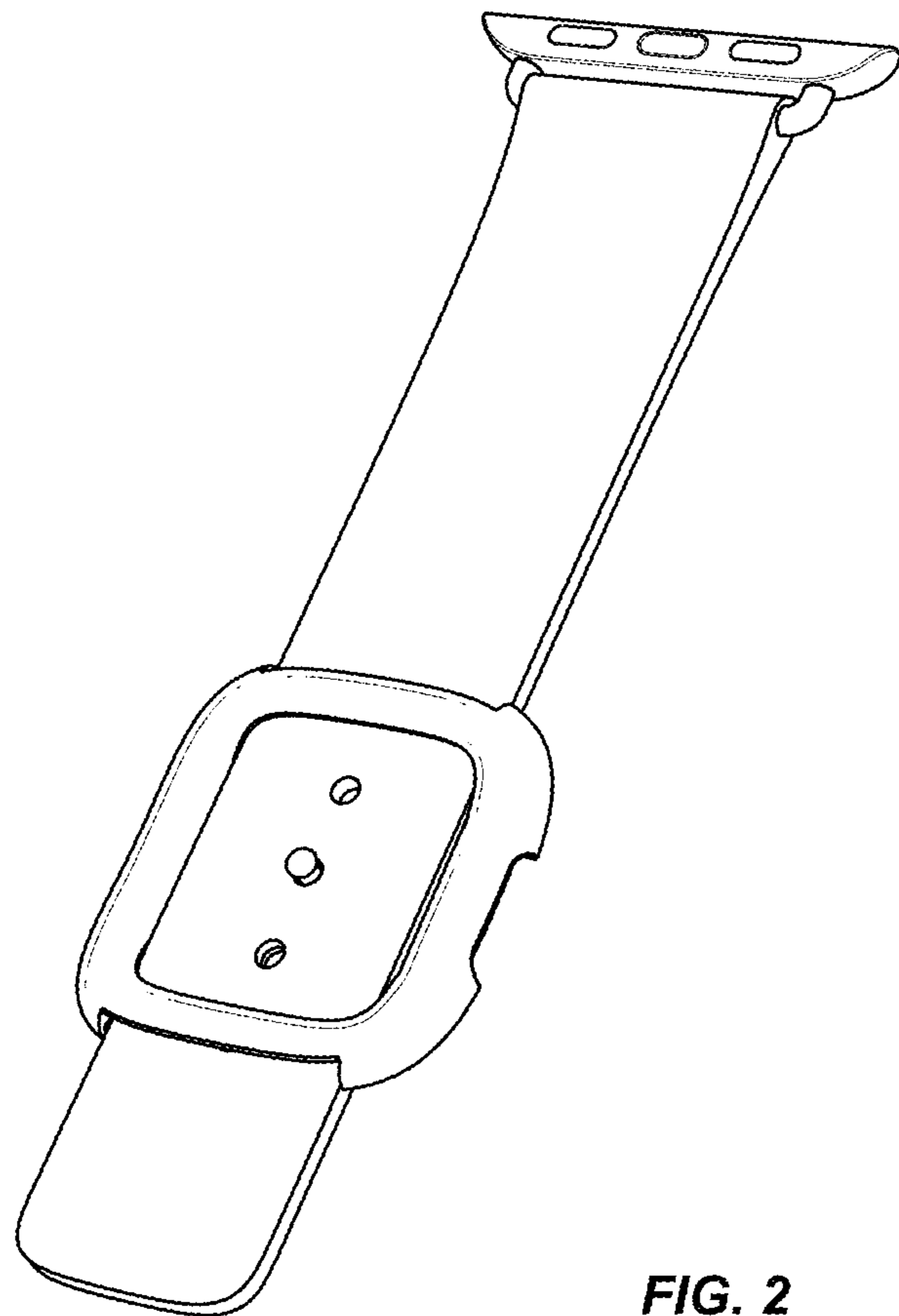
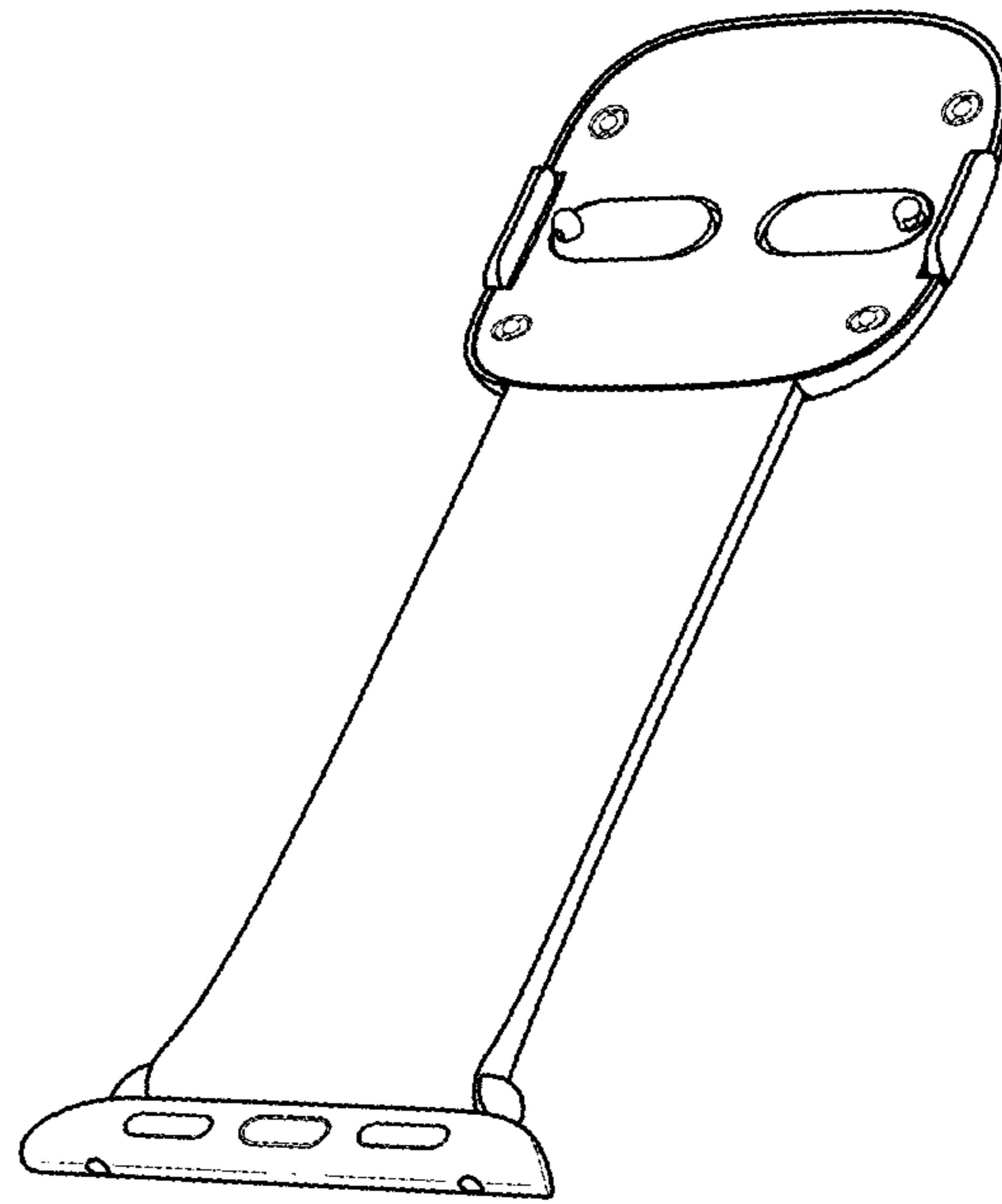


FIG. 2

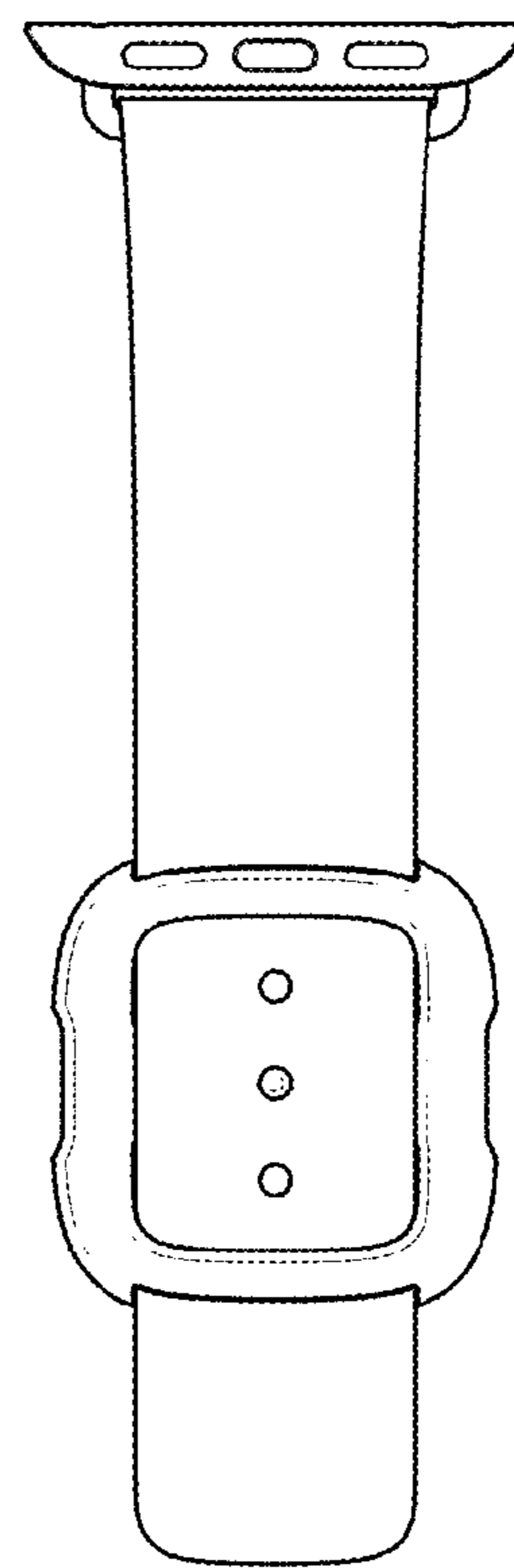
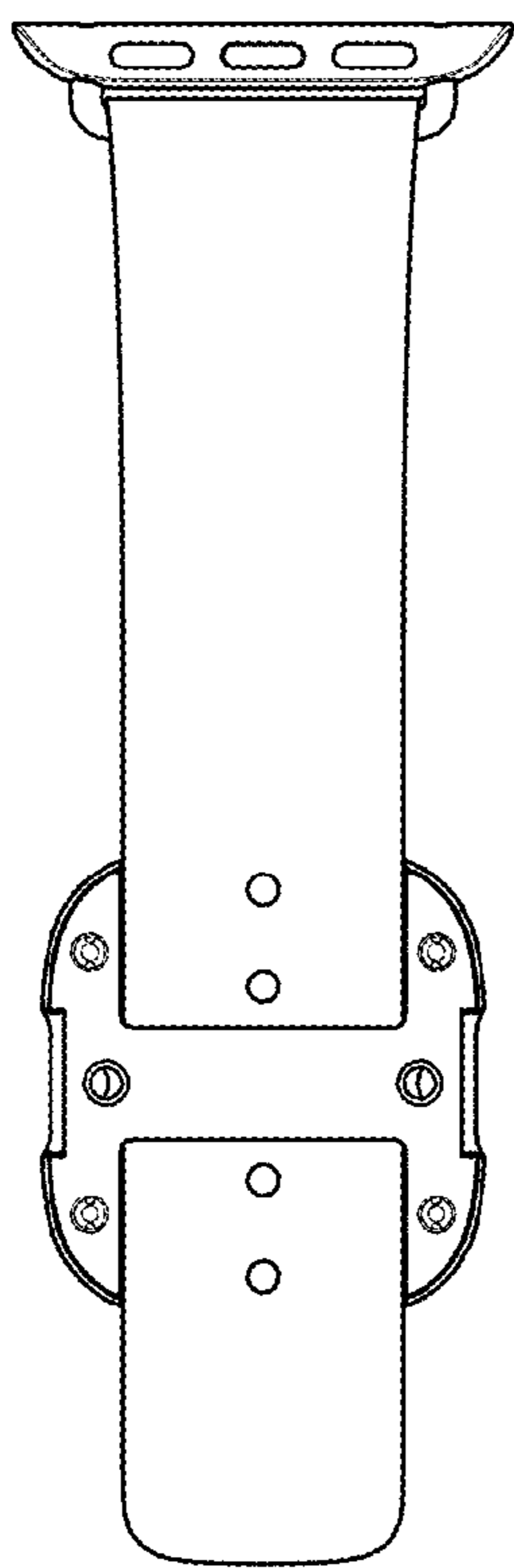
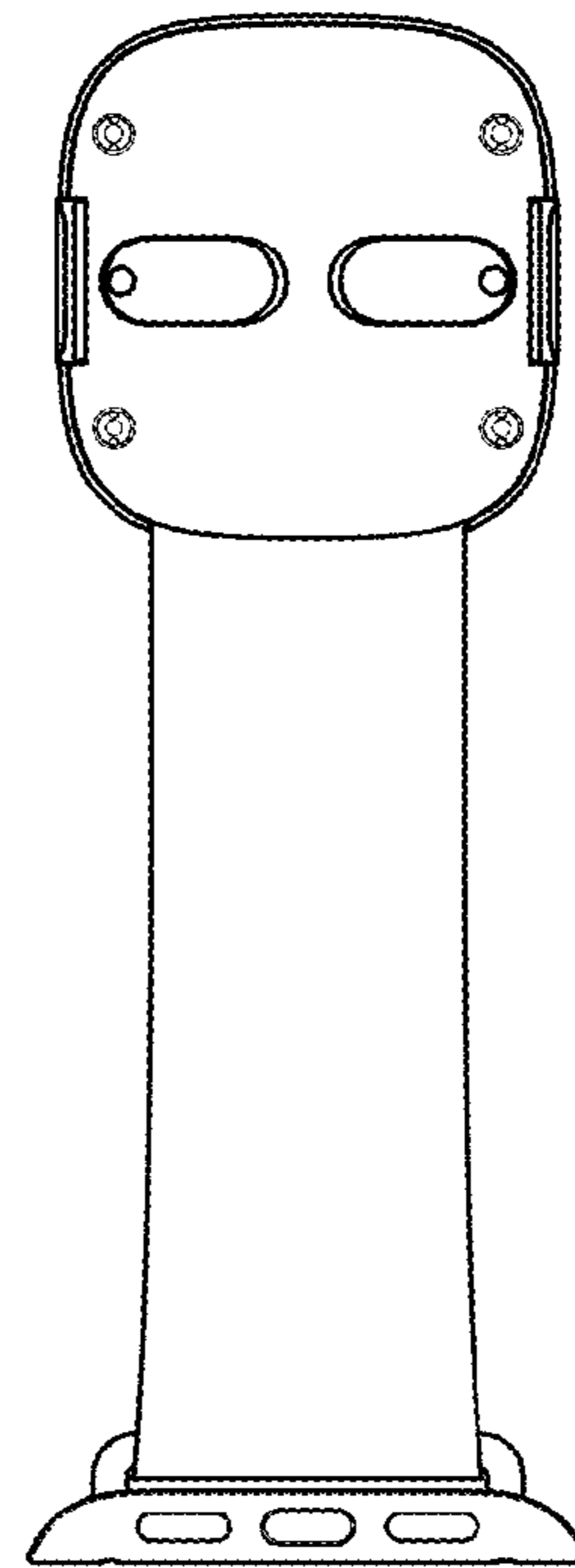
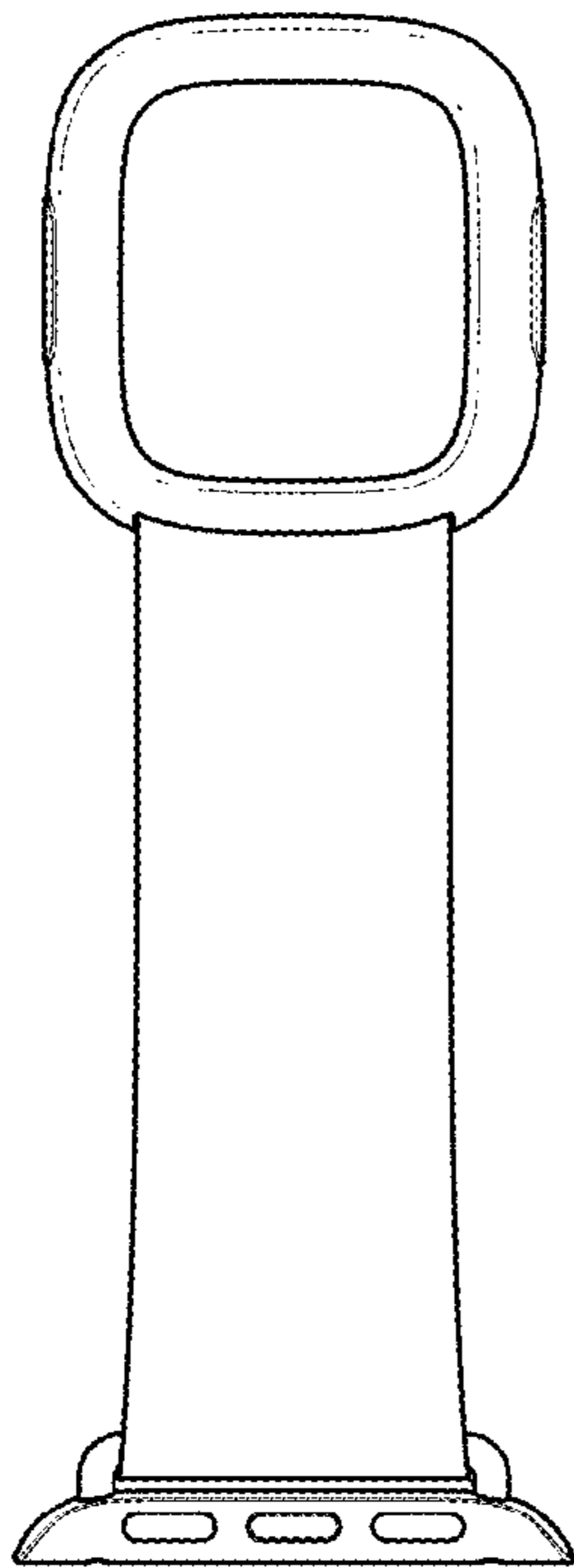


FIG. 3

FIG. 4

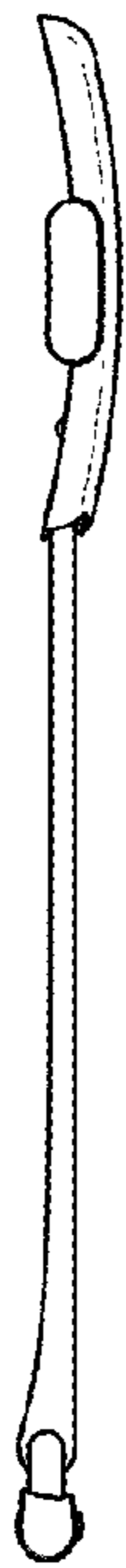


FIG. 5

FIG. 6

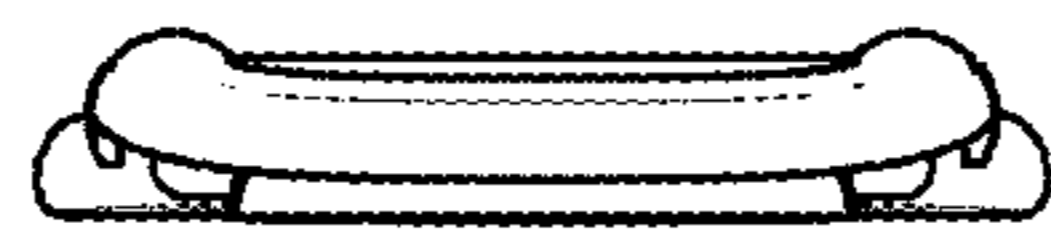


FIG. 7



FIG. 8

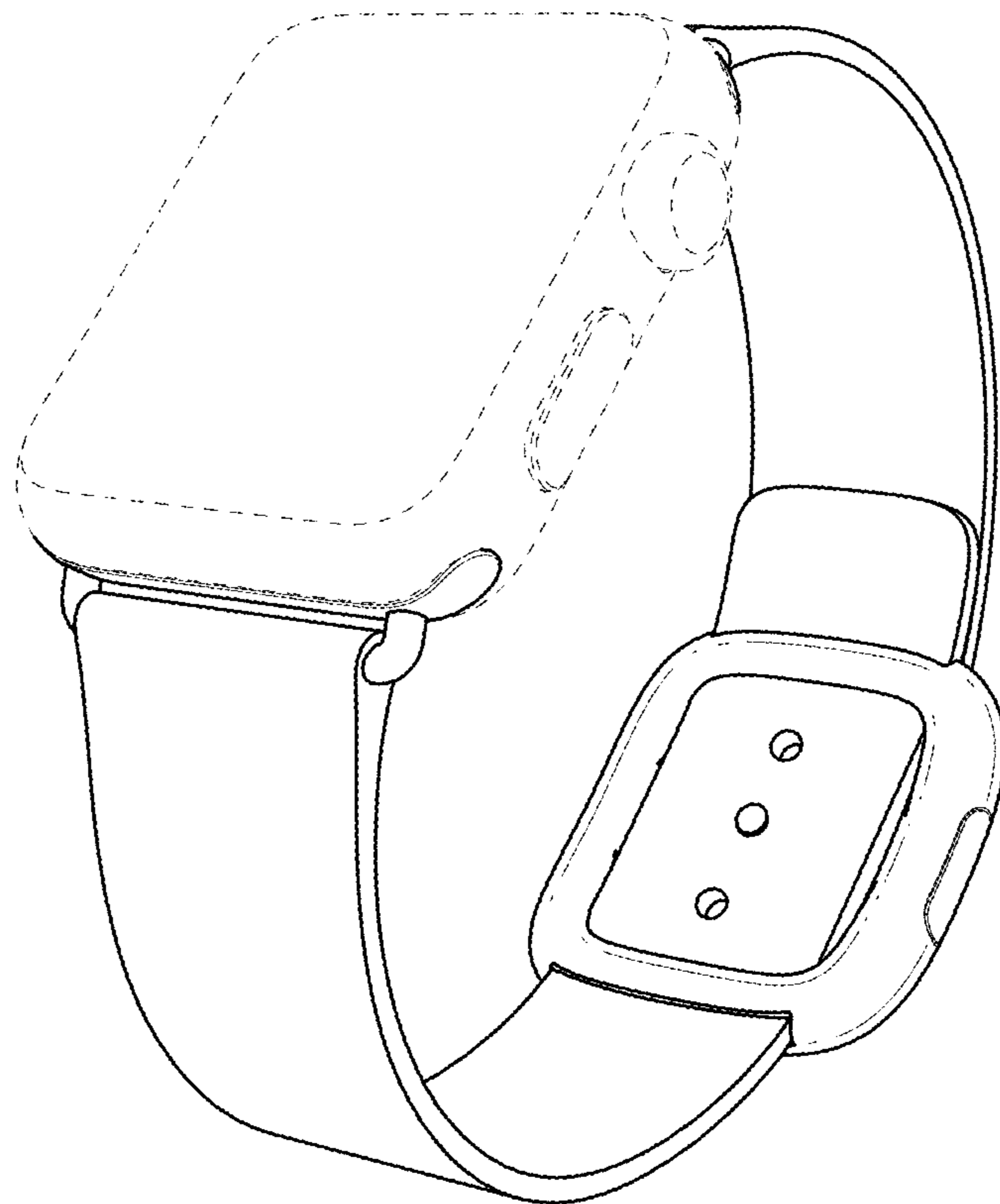


FIG. 9