

US00D724464S

(12) **United States Design Patent**
Behling

(10) **Patent No.:** **US D724,464 S**
(45) **Date of Patent:** **** Mar. 17, 2015**

(54) **WATCH DIAL**

(71) Applicant: **LVMH Swiss Manufactures SA**, La
Chaux-de-Fonds (CH)

(72) Inventor: **Christoph Behling**, London (GB)

(73) Assignee: **LVMH Swiss Manufactures SA** (CH)

(**) Term: **14 Years**

(21) Appl. No.: **29/469,785**

(22) Filed: **Oct. 15, 2013**

(30) **Foreign Application Priority Data**

Apr. 17, 2013 (WO) 733913101

(51) **LOC (10) Cl.** **10-07**

(52) **U.S. Cl.**
USPC **D10/126**

(58) **Field of Classification Search**
USPC D10/30-39, 122-126, 22, 23; 368/223,
368/228, 232, 80
See application file for complete search history.

(56) **References Cited**

U.S. PATENT DOCUMENTS

- D56,426 S * 10/1920 Goodrow D10/126
- D405,016 S * 2/1999 Bach D10/32
- D415,969 S * 11/1999 Clerc D10/32
- D452,175 S * 12/2001 Finazzi D10/39
- D502,411 S * 3/2005 Sabarthes et al. D10/39
- D531,536 S * 11/2006 Lovegrove D10/126

- D580,279 S * 11/2008 Wunderman D10/39
- D630,119 S * 1/2011 Nishi D10/126
- D634,651 S * 3/2011 Jorst et al. D10/39
- D648,638 S * 11/2011 Monachon D10/39
- D650,705 S * 12/2011 Blank D10/32
- D650,710 S * 12/2011 Laucella D10/39
- D656,416 S * 3/2012 Monachon D10/39
- 8,259,536 B2 * 9/2012 Hasegawa et al. 368/80
- D668,971 S * 10/2012 Tedeschi D10/39
- D688,580 S * 8/2013 Delhotal D10/124
- D690,611 S * 10/2013 Inoue D10/39
- D695,637 S * 12/2013 Jacquerye D10/39

* cited by examiner

Primary Examiner — Lucy Lieberman

(74) *Attorney, Agent, or Firm* — Mark S. Leonardo; Brown
Rudnick LLP

(57) **CLAIM**

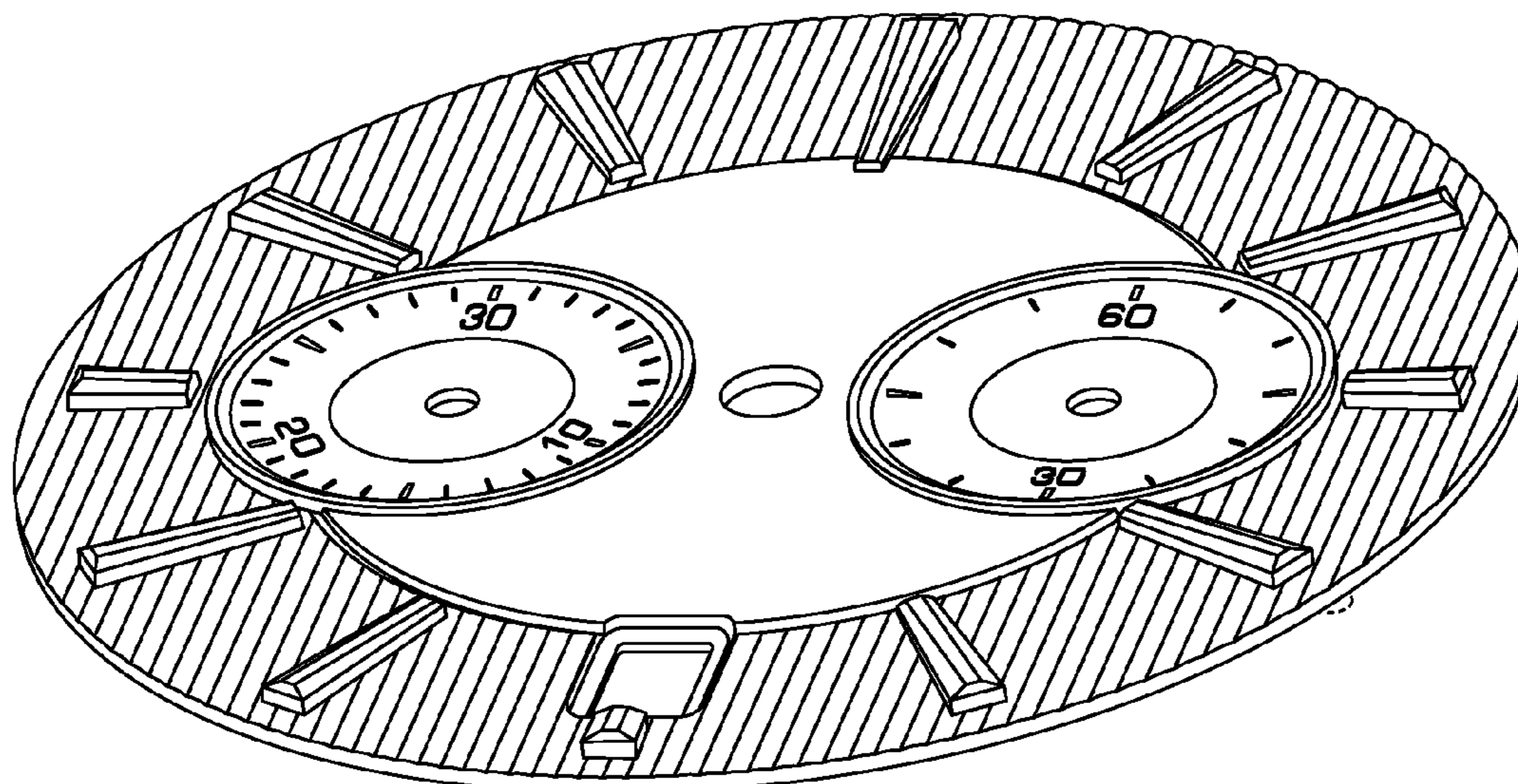
The ornamental design for a watch dial, as shown and
described.

DESCRIPTION

FIG. 1 illustrates a perspective view of a watch dial employ-
ing an ornamental design in accordance with the present
invention;

FIG. 2 illustrates a front view of the watch dial of FIG. 1;
FIG. 3 illustrates a left side view of the watch dial of FIG. 1;
FIG. 4 illustrates a right side view of the watch dial of FIG. 1;
FIG. 5 illustrates a top view of the watch dial of FIG. 1; and,
FIG. 6 illustrates a bottom view of the watch dial of FIG. 1.
All features illustrated in phantom line are expressly dis-
claimed and form no part of the claimed design.

1 Claim, 6 Drawing Sheets



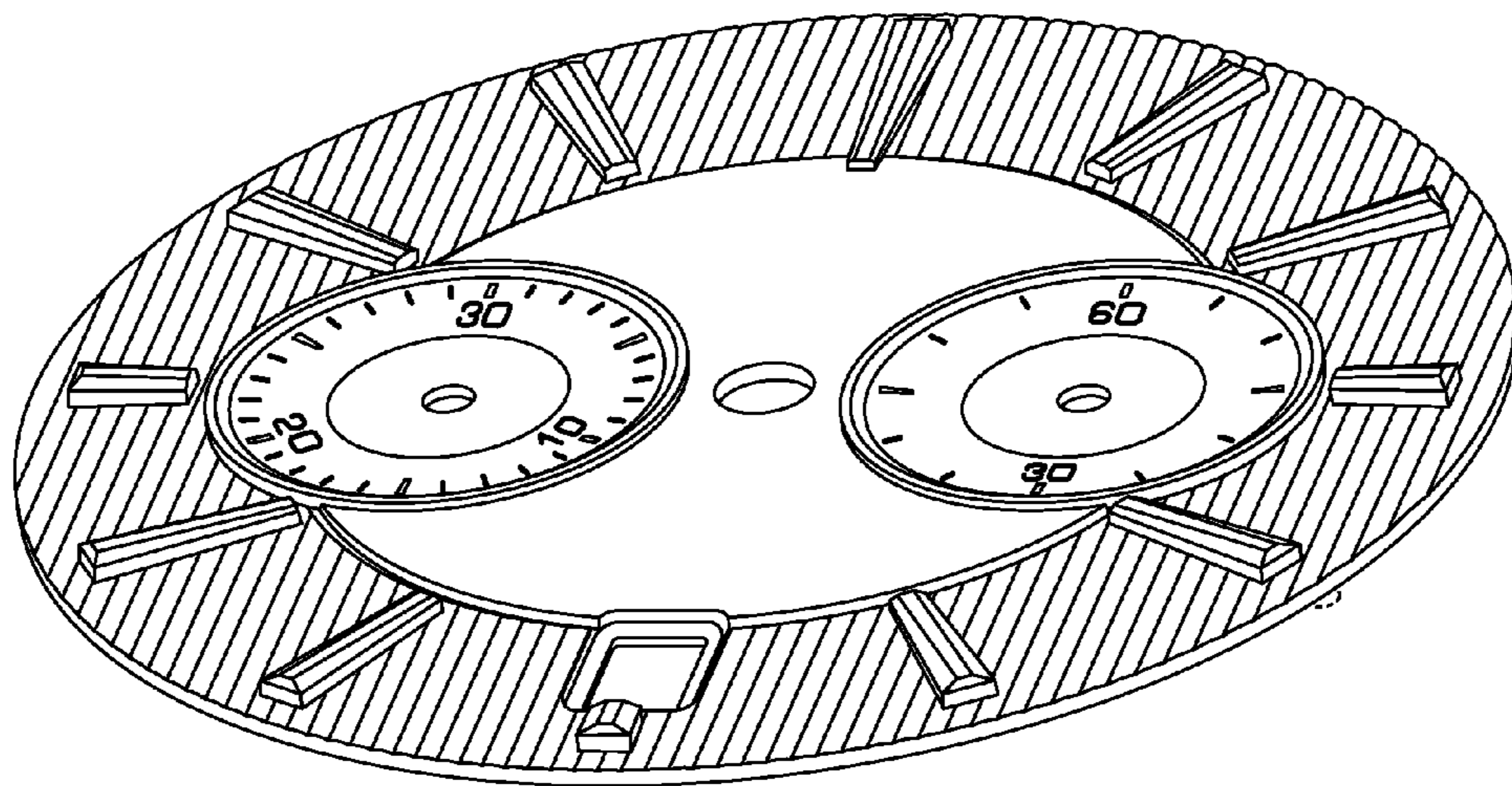


FIG. 1

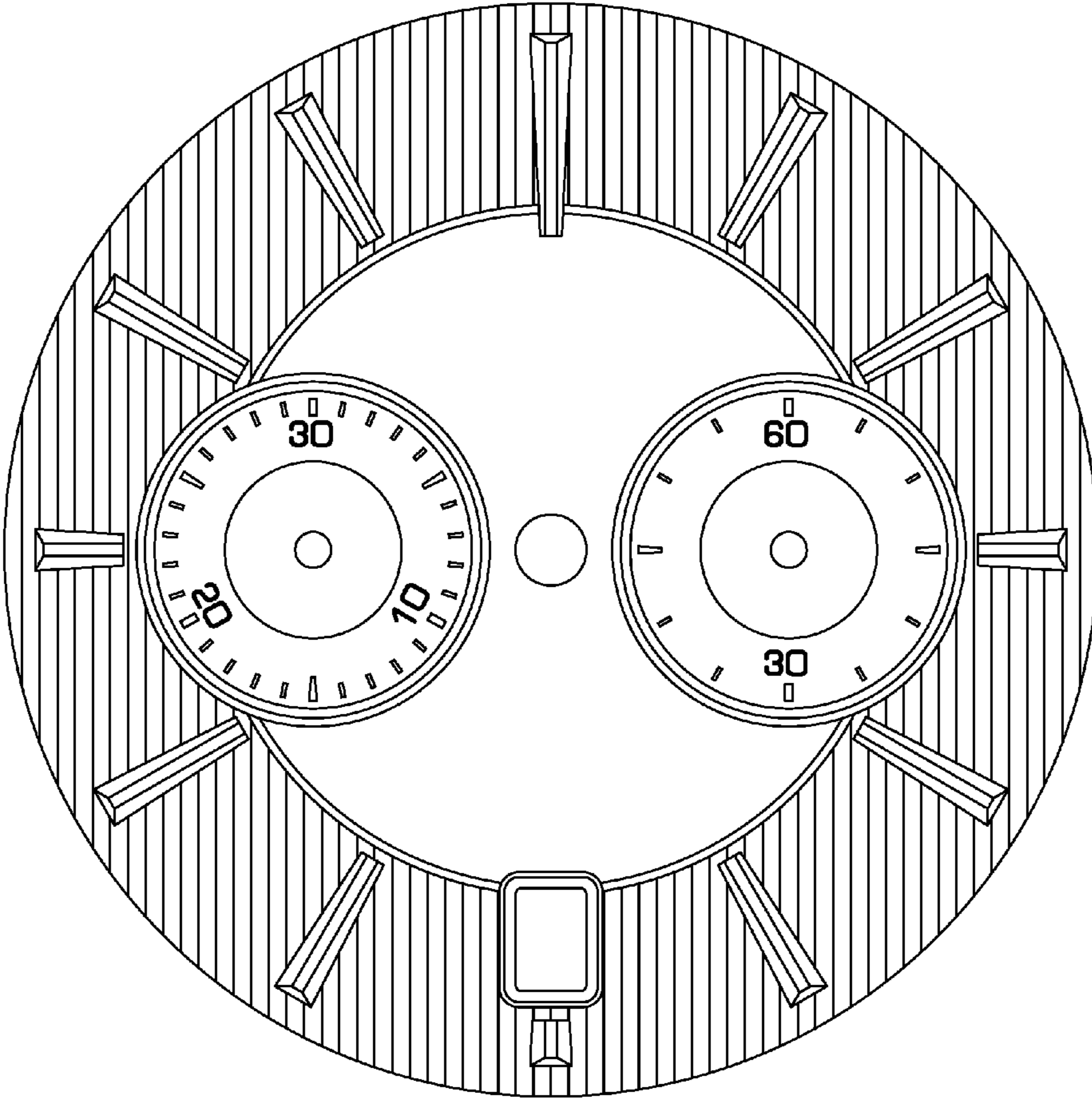


FIG. 2

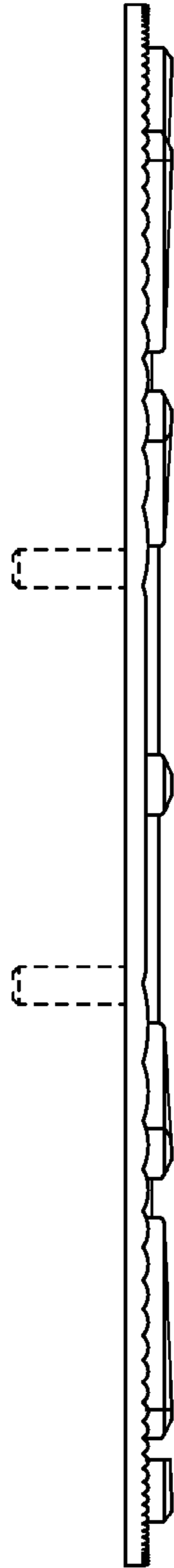


FIG. 3

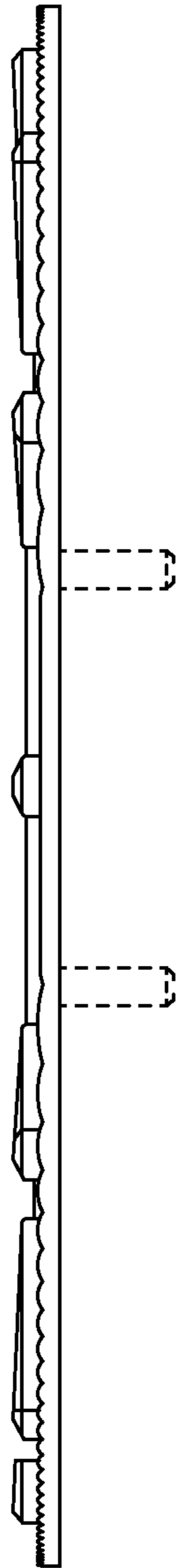


FIG. 4

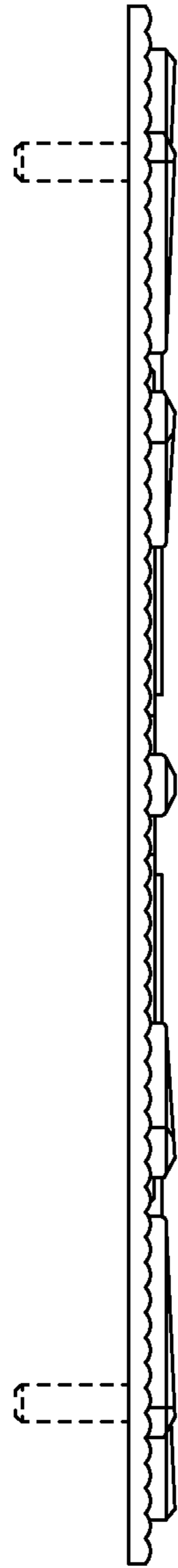


FIG. 5

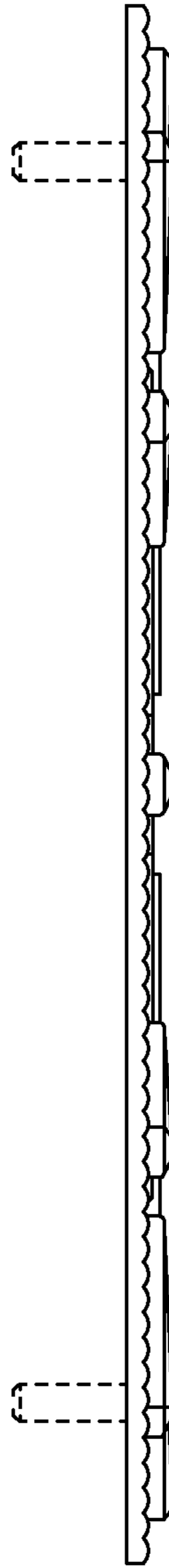


FIG. 6