



US00D724463S

(12) **United States Design Patent**  
**Boulangéot**

(10) **Patent No.:** **US D724,463 S**  
(45) **Date of Patent:** **\*\* Mar. 17, 2015**

(54) **WATCH DIAL**

(75) Inventor: **Sophie Boulangéot**, Geneva (CH)

(73) Assignee: **Cartier Creation Studio SA**, Geneva (CH)

(\*\*) Term: **14 Years**

(21) Appl. No.: **29/418,080**

(22) Filed: **Apr. 12, 2012**

(51) **LOC (10) Cl.** ..... **10-07**

(52) **U.S. Cl.**  
USPC ..... **D10/126**

(58) **Field of Classification Search**  
USPC ..... D10/30-39, 122-126; 368/223, 228,  
368/232, 80  
See application file for complete search history.

(56) **References Cited**

**U.S. PATENT DOCUMENTS**

D122,218 S *	8/1940	Markle	.....	D11/74
D131,811 S *	3/1942	Katz	.....	D11/44
D421,922 S *	3/2000	Wunderman	.....	D10/39
D458,853 S *	6/2002	Finazzi	.....	D10/39
D517,929 S *	3/2006	Rabassa	.....	D10/39

D528,443 S *	9/2006	Bedat	.....	D10/39
D547,211 S *	7/2007	Dias	.....	D10/39
D547,225 S *	7/2007	Garcia	.....	D10/126
D550,578 S *	9/2007	Vaptzarof	.....	D10/126
D560,515 S *	1/2008	Finazzi	.....	D10/39
D562,156 S *	2/2008	Pozzan	.....	D10/39
D607,758 S *	1/2010	Hegi	.....	D10/39
D609,128 S *	2/2010	Rabassa	.....	D10/126
D610,923 S *	3/2010	Duport et al.	.....	D10/38
D614,523 S *	4/2010	Rabassa et al.	.....	D10/126
D621,736 S *	8/2010	Duport et al.	.....	D10/126
D642,084 S *	7/2011	Garcia	.....	D10/124
D650,708 S *	12/2011	Laucella	.....	D10/39
D691,504 S *	10/2013	Ruffieux	.....	D10/126

\* cited by examiner

*Primary Examiner* — Lucy Lieberman

(74) *Attorney, Agent, or Firm* — Krieg DeVault LLP

(57) **CLAIM**

The ornamental design for a watch dial, as shown and described.

**DESCRIPTION**

FIG. 1 is a top view of the watch dial of the present invention; and,  
FIG. 2 is a top right side perspective view of the watch dial of FIG. 1.

**1 Claim, 1 Drawing Sheet**

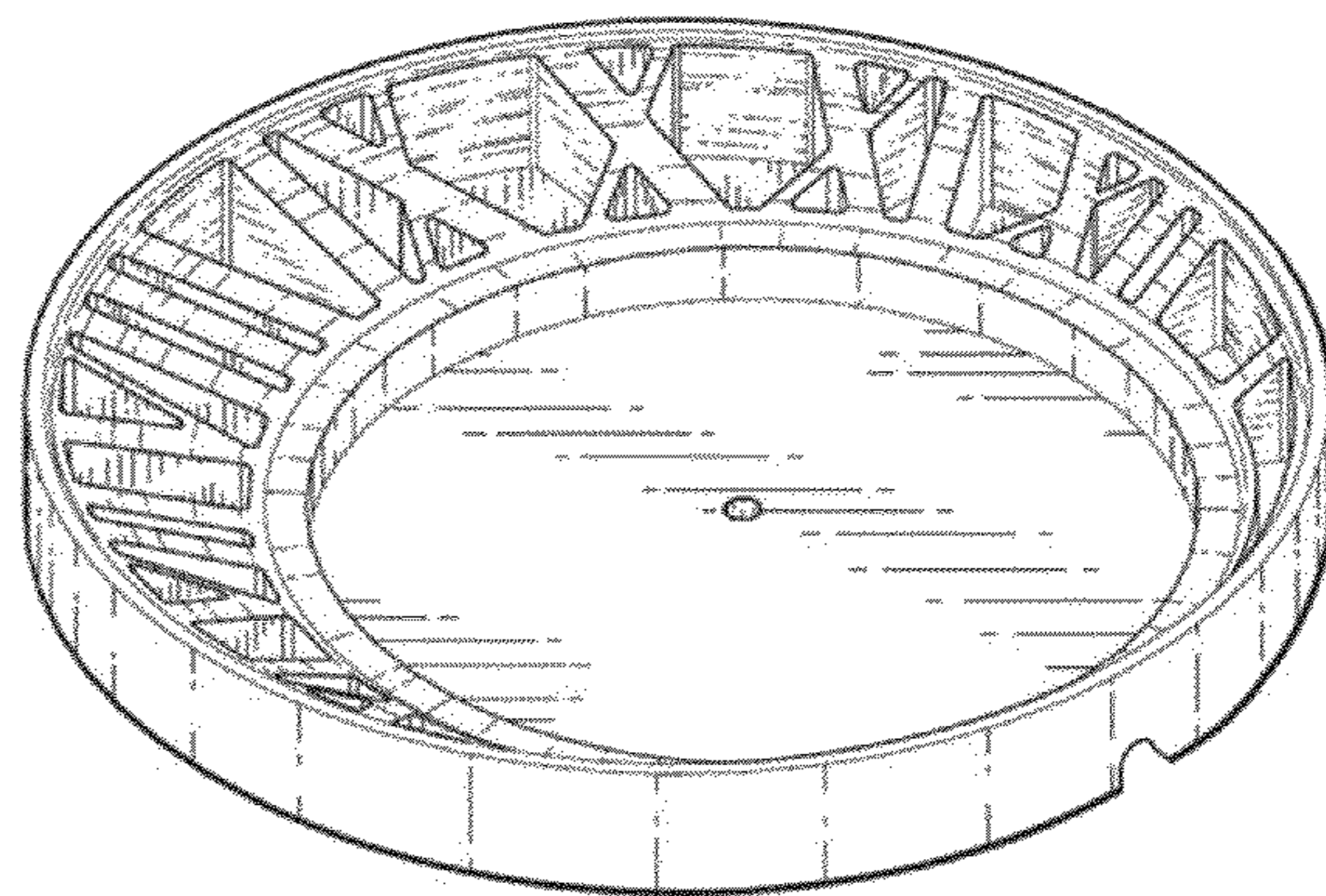




Fig. 1

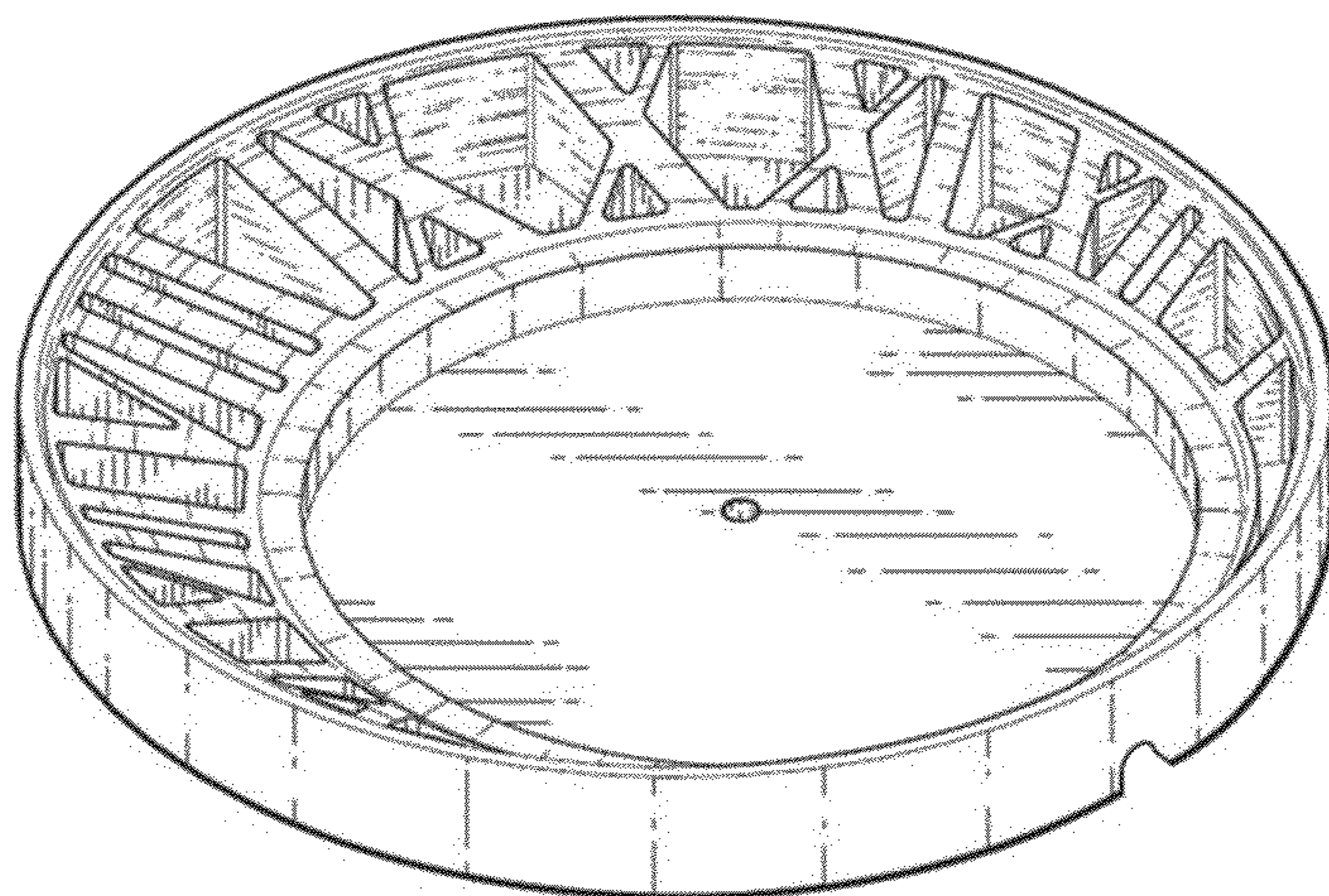


Fig. 2