



US00D724461S

(12) **United States Design Patent**
Jung et al.

(10) **Patent No.:** **US D724,461 S**
(45) **Date of Patent:** **** Mar. 17, 2015**

(54) **GOLF GPS DEVICE**

(71) Applicant: **Deca System, Inc.**, Seongnam-si,
Gyeonggi-do (KR)

(72) Inventors: **Seung Wook Jung**, Cerritos, CA (US);
Seung Jin Kim, Irvine, CA (US)

(73) Assignee: **Deca System, Inc.** (KR)

(**) Term: **14 Years**

(21) Appl. No.: **29/482,001**

(22) Filed: **Feb. 12, 2014**

Related U.S. Application Data

(63) Continuation of application No. 29/448,292, filed on
Mar. 11, 2013, now Pat. No. Des. 702,141, which is a
continuation of application No. 29/423,591, filed on
Jun. 1, 2012, now Pat. No. Des. 677,589.

(51) **LOC (10) Cl.** **10-04**

(52) **U.S. Cl.**
USPC **D10/98; D10/70**

(58) **Field of Classification Search**

CPC A41D 1/002; A44C 5/0015; A44C 5/102;
A44C 5/14; A44C 5/02; A61B 19/44; A61B
2019/446; A63B 71/06; A63B 26/00; A63B
24/0075; A63B 2071/0663; G09F 3/005;
G06F 1/163; G06F 3/038; G06F 3/03547
USPC D10/65, 70, 78, 97, 98; 2/127, 170;
40/633, 665; 59/80; 63/15.7;
340/407.1, 665, 323 R; 368/41;
434/247, 258; 482/1, 2, 4, 8, 9, 44,
482/148, 901, 74, 909; 600/485, 500, 503,
600/437, 443, 453, 459, 465, 479, 502, 595,
600/481, 483; 702/178, 155, 160, 176, 78,
702/79, 82, 91-95, 104, 116, 141, 150, 151,
702/154, 127, 131, 182, 183, 189, 1, 60;
235/105; 377/5, 24.2, 26; 73/514.33,
73/514.34, 510, 513, 527, 530; 324/522;
345/165, 156, 905; 342/27, 28, 52-58,
342/419, 450, 457, 458; 250/DIG. 1

See application file for complete search history.

(56) **References Cited**

U.S. PATENT DOCUMENTS

D555,019 S * 11/2007 Au Yeung D10/70
D584,176 S 1/2009 Maruyama et al.

(Continued)

Primary Examiner — Antoine D Davis

(74) *Attorney, Agent, or Firm* — Knobbe Martens Olson &
Bear LLP

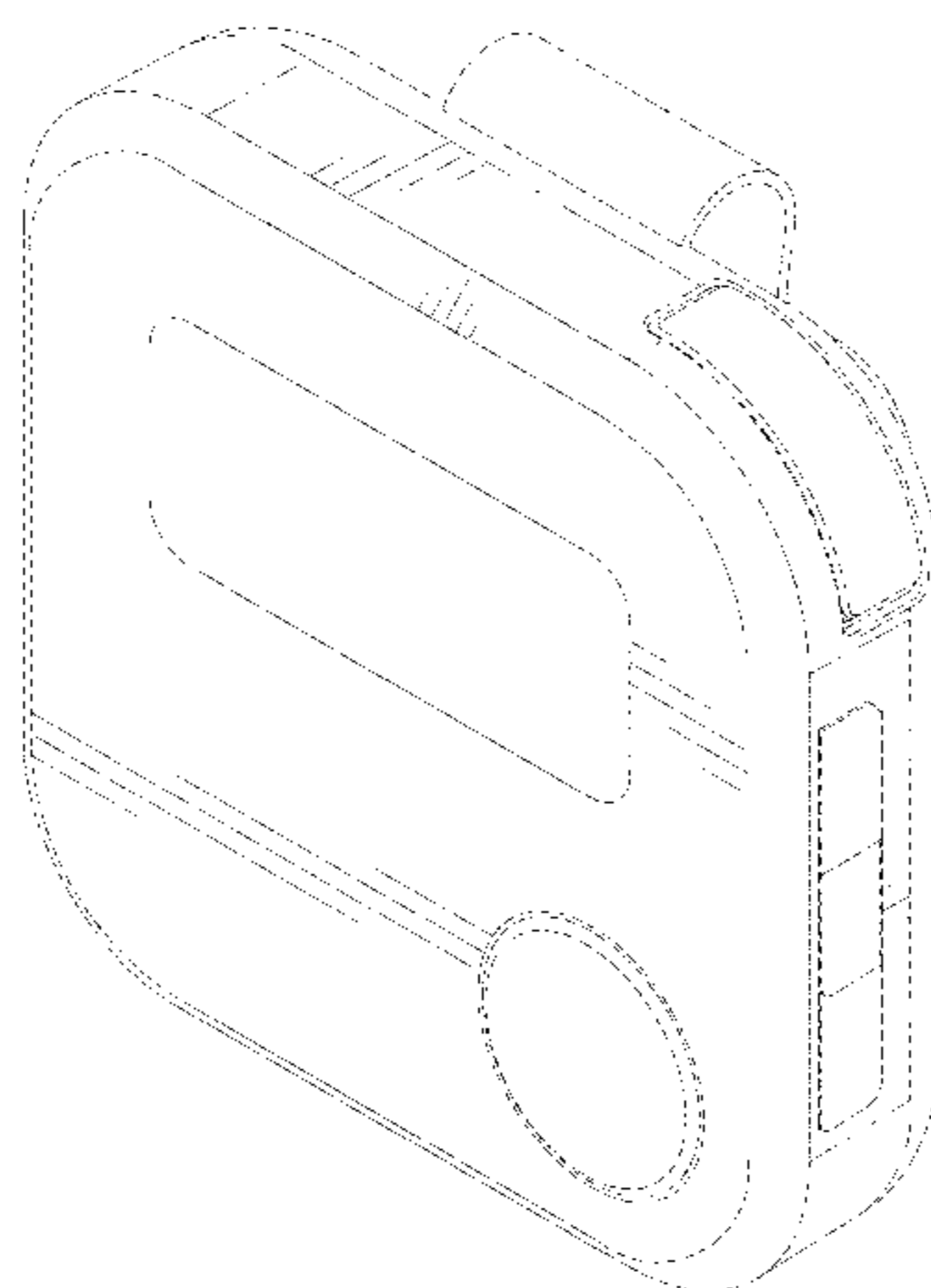
(57) **CLAIM**

The ornamental design for a golf GPS device, as shown and
described.

DESCRIPTION

FIG. 1 is a perspective view of golf GPS device representing
first and second embodiments of the present invention;
FIG. 2 is another perspective view of the golf GPS device of
FIG. 1 according to the first and second embodiments;
FIG. 3 is a front view of the golf GPS device of FIG. 1
according to the first and second embodiments;
FIG. 4 is a rear view of the golf GPS device of FIG. 1
according to the first and second embodiments;
FIG. 5 is a top plan view of the golf GPS device of FIG. 1
according to the first embodiment;
FIG. 6 is a bottom plan view of the golf GPS device of FIG. 1
according to the first embodiment;
FIG. 7 is a left side view of the golf GPS device of FIG. 1
according to the first embodiment;
FIG. 8 is a right side view of the golf GPS device of FIG. 1
according to the first embodiment;
FIG. 9 is a top plan view of the golf GPS device of FIG. 1
according to the second embodiment;
FIG. 10 is a bottom plan view of the golf GPS device of FIG.
1 according to the second embodiment;
FIG. 11 is a left side view of the golf GPS device of FIG. 1
according to the second embodiment; and,
FIG. 12 is a right side view of the golf GPS device of FIG. 1
according to the second embodiment.
Broken lines are for illustrative purposes only and are not
intended to limit the claimed design.

1 Claim, 8 Drawing Sheets



(56)

References Cited

U.S. PATENT DOCUMENTS

D611,366 S *	3/2010	Register et al.	D10/65	D674,715 S *	1/2013	Dalton	D10/70
D615,427 S *	5/2010	Au Yeung	D10/70	D677,589 S *	3/2013	Jung et al.	D10/65
D632,984 S *	2/2011	Register et al.	D10/65	D682,126 S *	5/2013	Tello	D10/70
D635,874 S *	4/2011	Tseng et al.	D10/70	D684,071 S *	6/2013	Greenwood et al.	D10/70
D637,097 S *	5/2011	Tseng	D10/70	D685,355 S	7/2013	Holleman et al.		
D644,542 S *	9/2011	Henne et al.	D10/65	D686,595 S	7/2013	Andre et al.		
D648,232 S	11/2011	Reigneau			8,506,524 B2 *	8/2013	Graskov et al.	345/156
D659,037 S	5/2012	Madsen et al.			D693,248 S *	11/2013	Anderssen et al.	D10/65
D659,562 S	5/2012	Groener et al.			D693,249 S *	11/2013	Anderssen et al.	D10/65
D665,679 S *	8/2012	Shigeno et al.	D10/70	D693,250 S *	11/2013	Anderssen et al.	D10/65
D665,680 S *	8/2012	Shigeno et al.	D10/70	D694,233 S	11/2013	Hoofnagle et al.		
					D699,131 S *	2/2014	Marshall et al.	D10/65
					D700,084 S *	2/2014	Hsu	D10/70
					D702,141 S *	4/2014	Jung et al.	D10/65

* cited by examiner

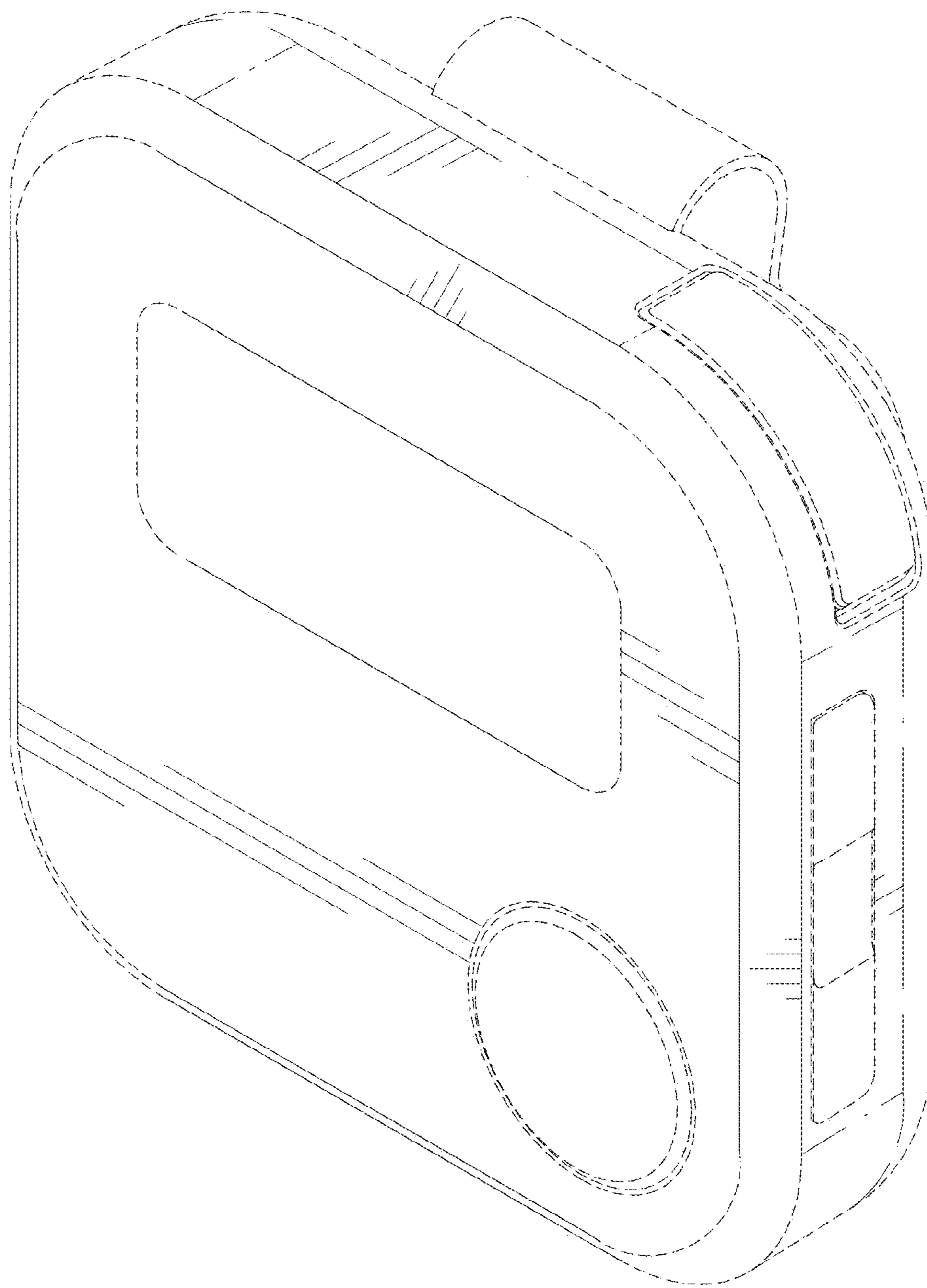


FIG. 1

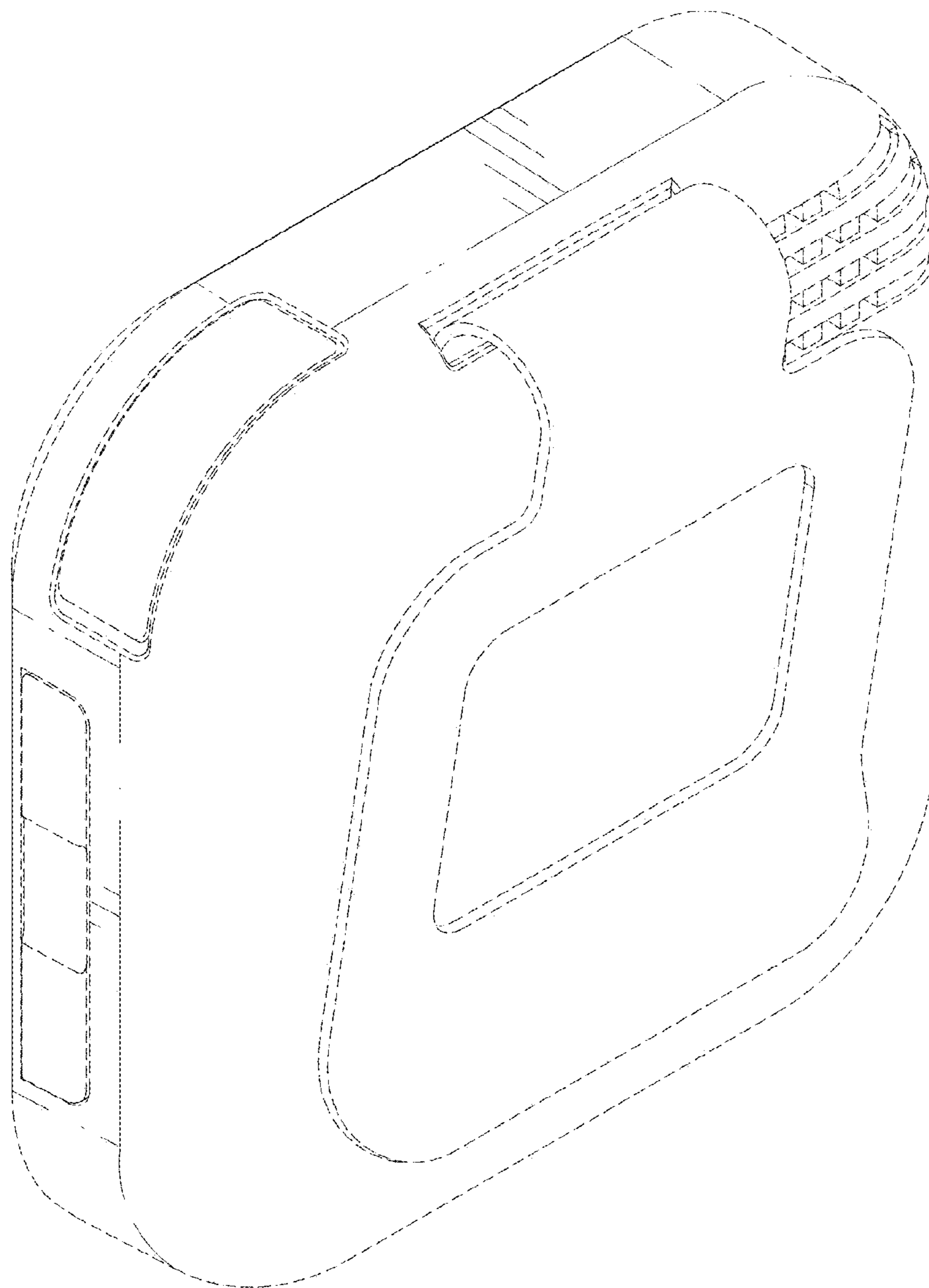


FIG. 2

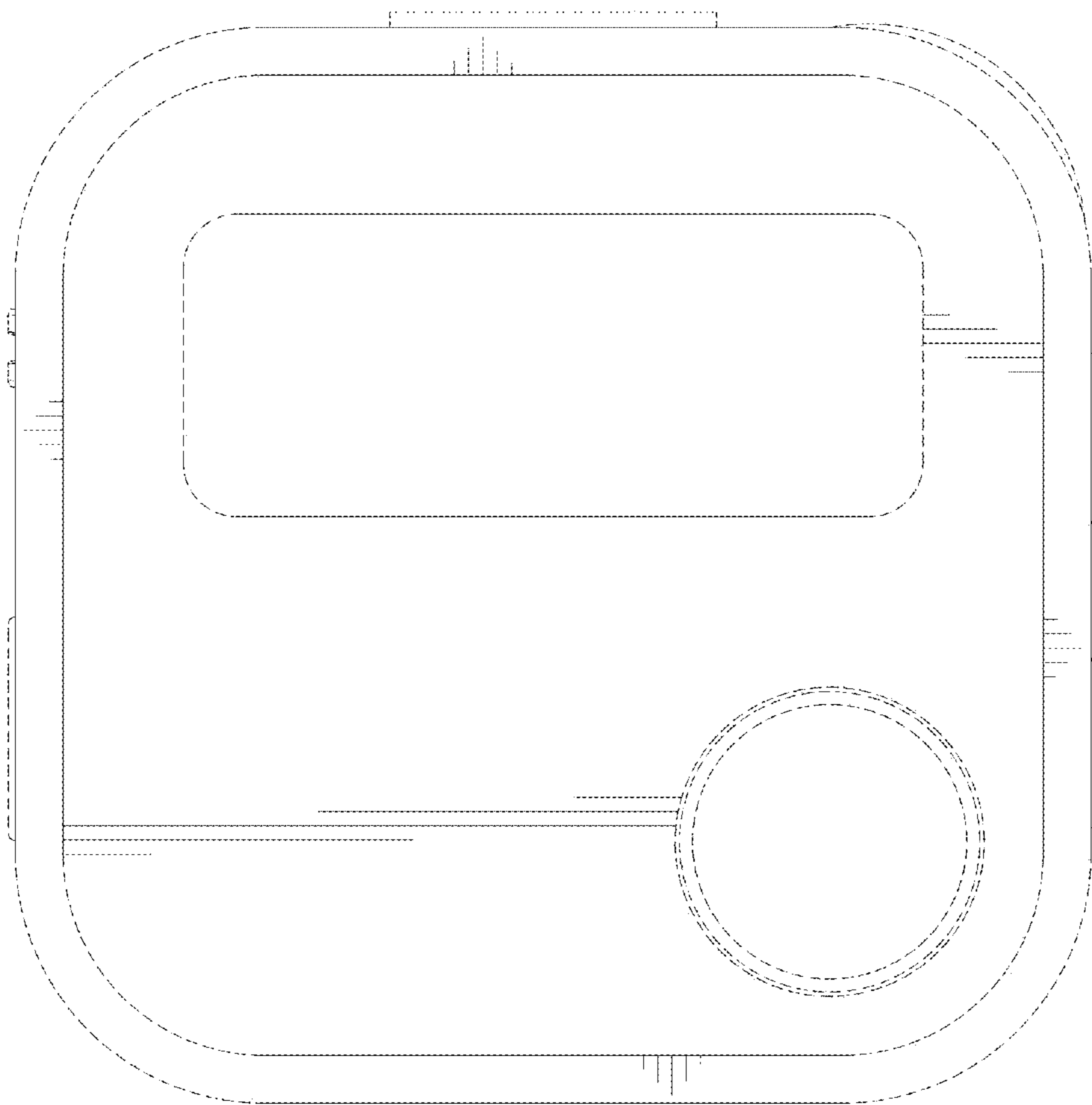


FIG. 3

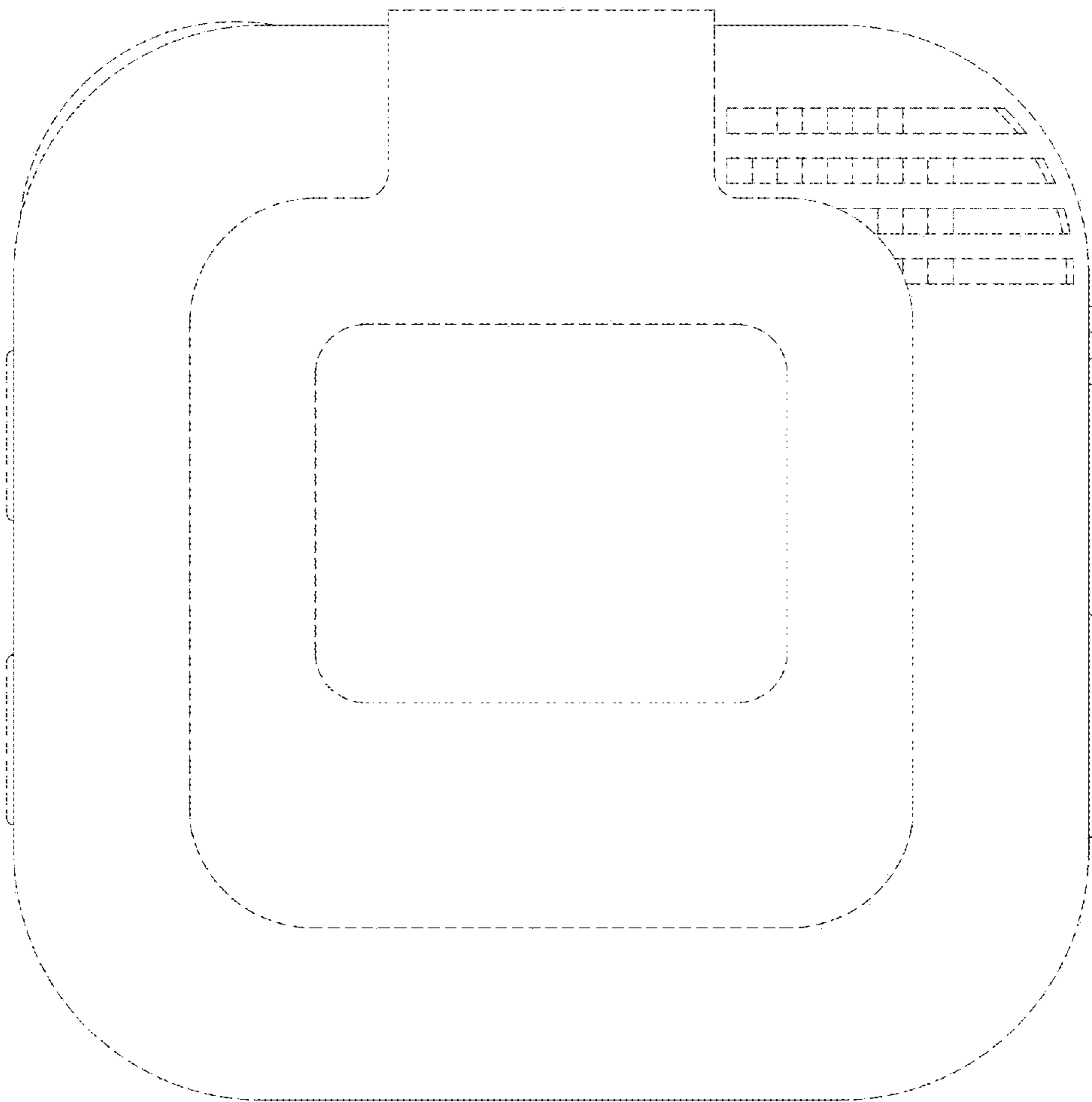


FIG. 4

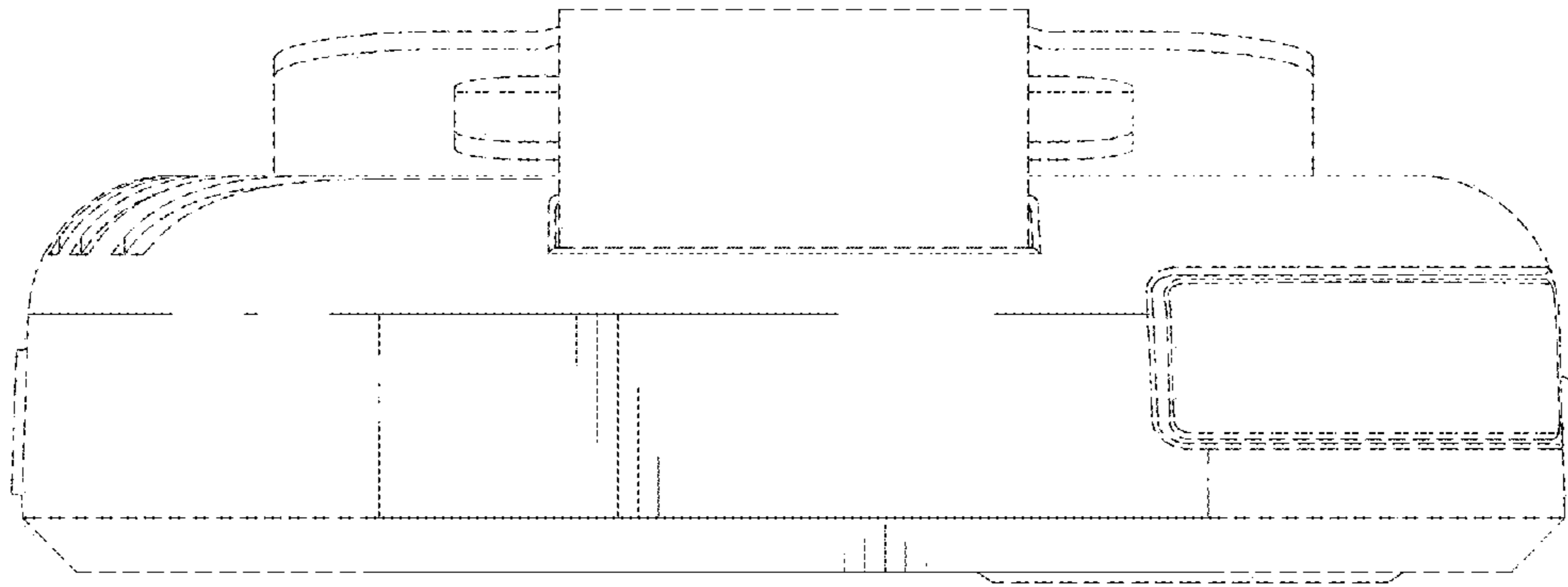


FIG. 5

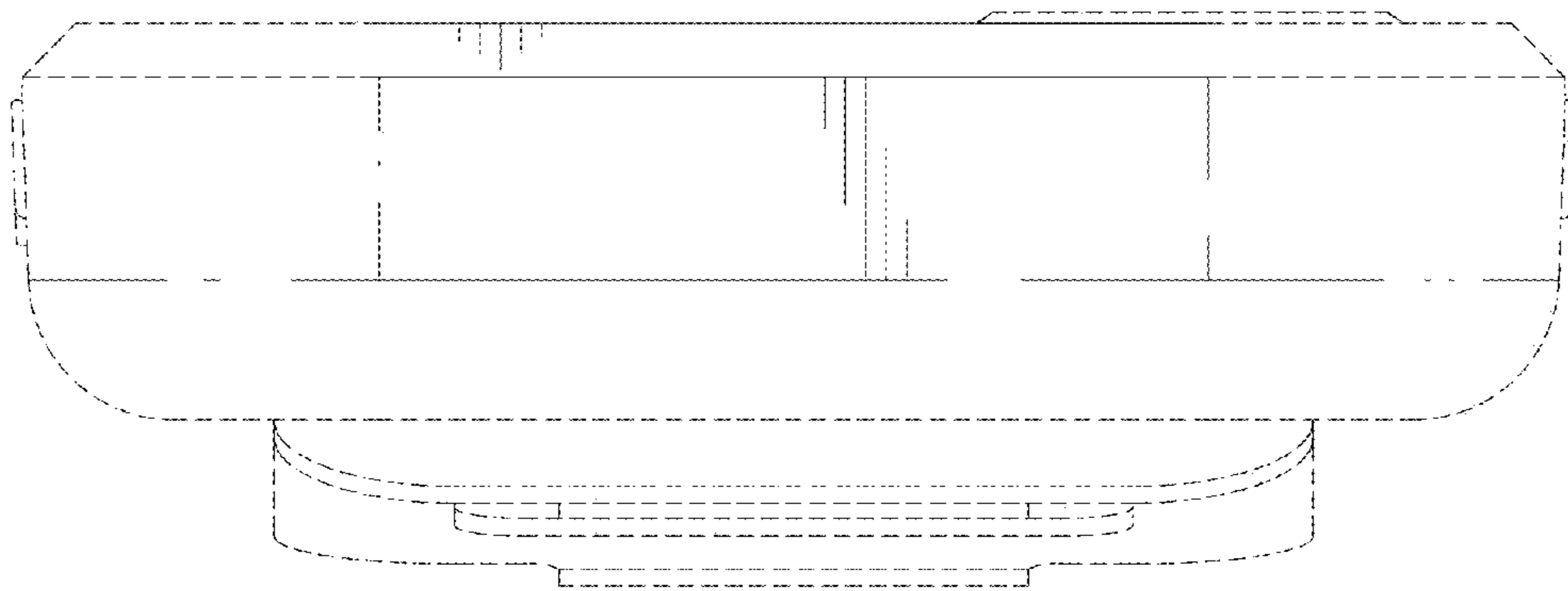


FIG. 6

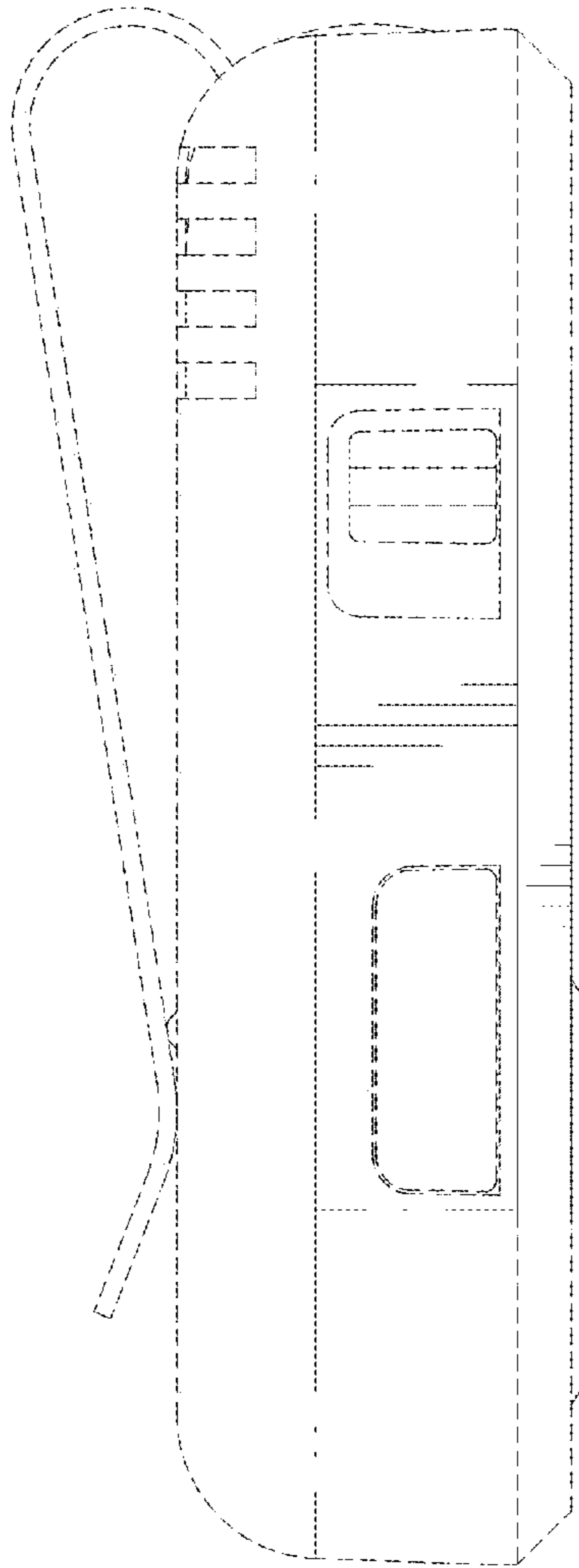


FIG. 7

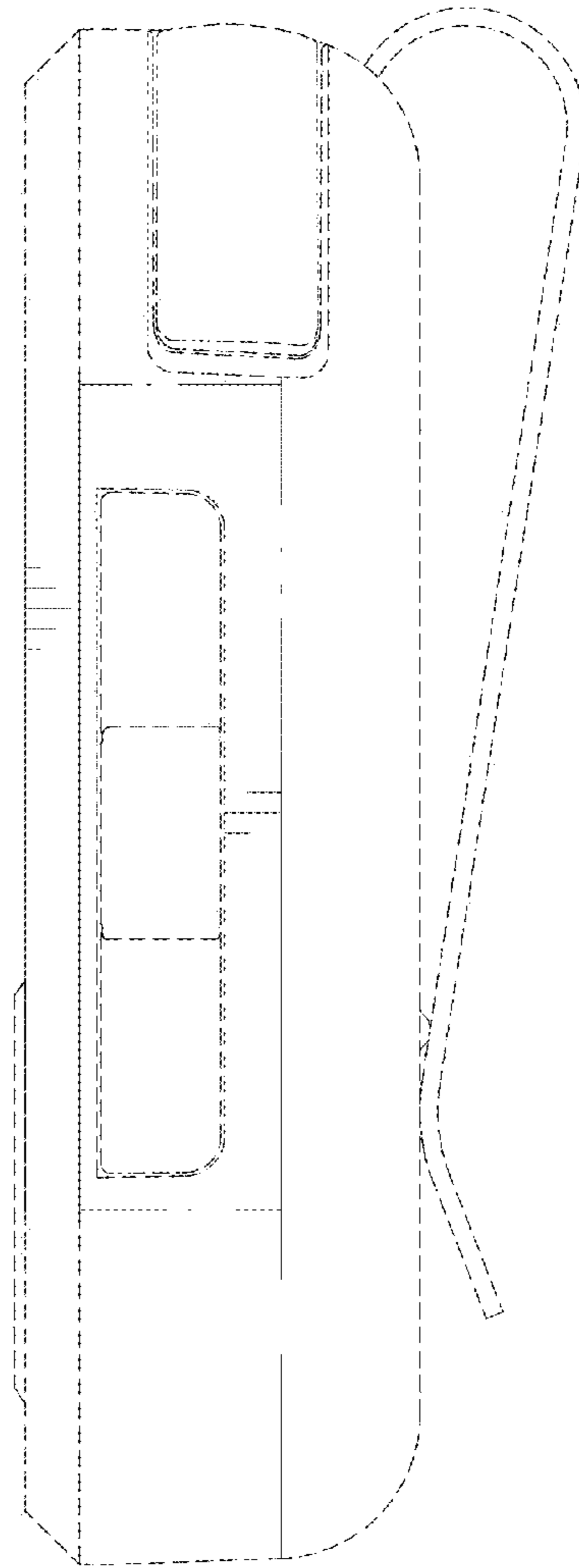


FIG. 8

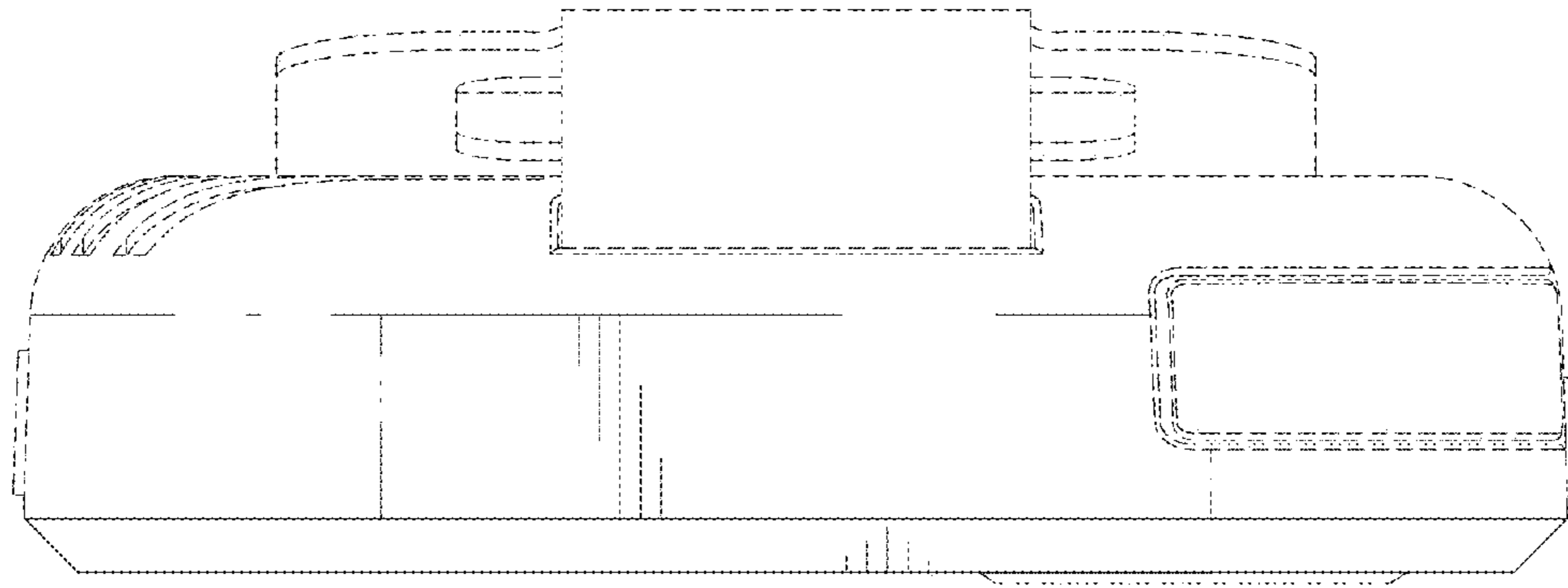


FIG. 9

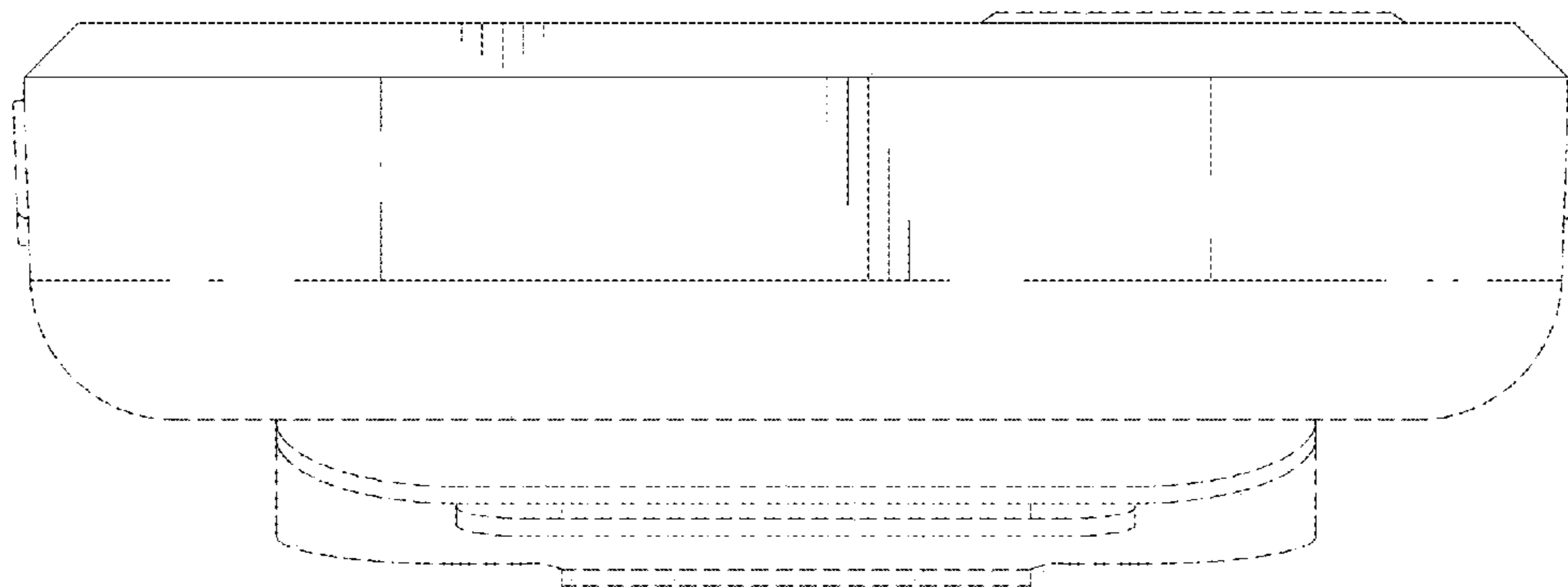


FIG. 10

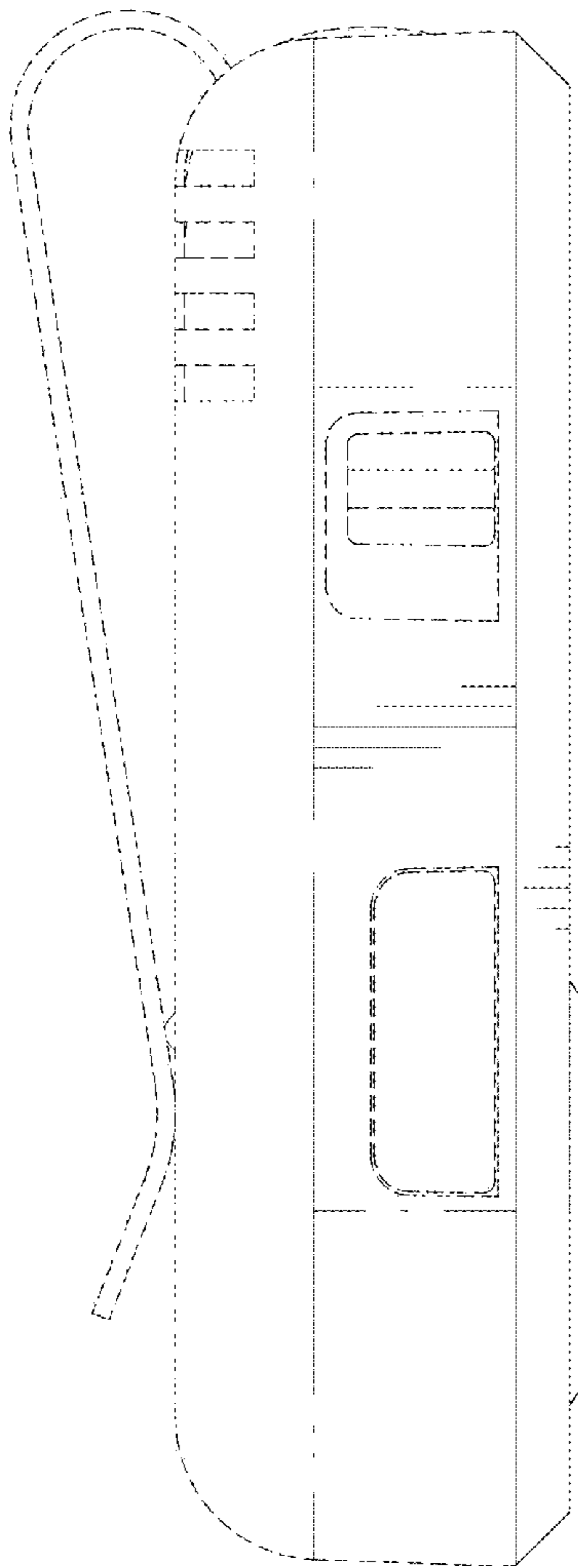


FIG. 11

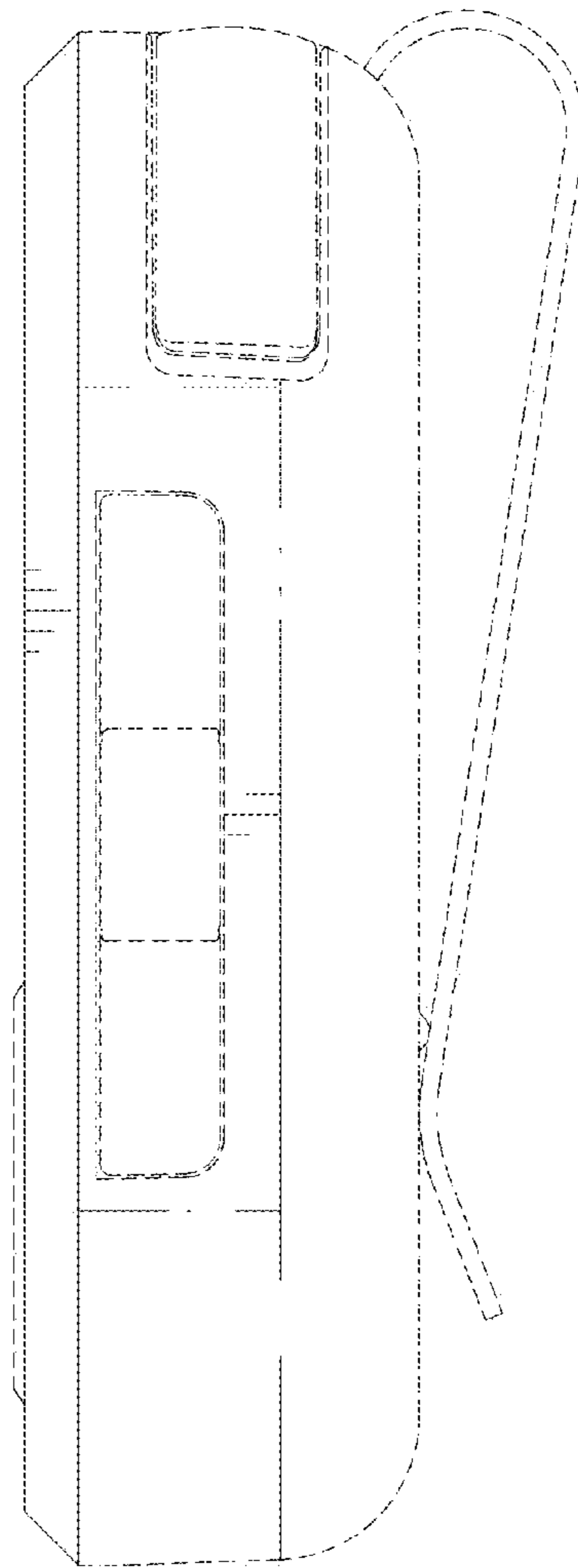


FIG. 12