



US00D724458S

(12) **United States Design Patent**
Stowers

(10) **Patent No.:** **US D724,458 S**
(45) **Date of Patent:** **** Mar. 17, 2015**

- (54) **AUTOMOTIVE SAFETY DEVICE**
- (71) Applicant: **Measurement Ltd.**, Grand Cayman (KY)
- (72) Inventor: **David C. Stowers**, Morristown, NJ (US)
- (73) Assignee: **Measurement Ltd.**, Grand Cayman (KY)
- (**) Term: **14 Years**
- (21) Appl. No.: **29/471,081**
- (22) Filed: **Oct. 28, 2013**
- (51) **LOC (10) Cl.** **10-04**
- (52) **U.S. Cl.**
USPC **D10/86**
- (58) **Field of Classification Search**
CPC B25B 27/0057; G01L 17/00; G01L 17/005
USPC D10/86
See application file for complete search history.

Primary Examiner — T. Chase Nelson
(74) *Attorney, Agent, or Firm* — Howard IP Law Group, PC

(57) **CLAIM**
The ornamental design for an automotive safety device, as shown and described.

DESCRIPTION

This application is related to U.S. Design patent application Ser. No. 29/435,766, entitled Automotive Safety Device, filed Oct. 28, 2013.

FIG. 1 is a perspective view of an automotive safety device showing my new design in a closed configuration, according to an embodiment of the invention;

FIG. 2 is a right side elevational view of the automotive safety device of FIG. 1;

FIG. 3 is a top view of the automotive safety device of FIG. 1;

FIG. 4 is a bottom view of the automotive safety device of FIG. 1;

FIG. 5 is a rear elevational view of the automotive safety device of FIG. 1;

FIG. 6 is a front elevational view of the automotive safety device of FIG. 1;

FIG. 7 is a perspective view of the automotive safety device of FIG. 1, shown in an open configuration;

FIG. 8 is a right side elevational view of the automotive safety device of FIG. 7;

FIG. 9 is a top view of the automotive safety device of FIG. 7;

FIG. 10 is a bottom view of the automotive safety device of FIG. 7;

FIG. 11 is a rear elevational view of the automotive safety device of FIG. 7; and,

FIG. 12 is a front elevational view of the automotive safety device of FIG. 7.

The matter shown in dashed lines is environmental structure and forms no part of the claimed design.

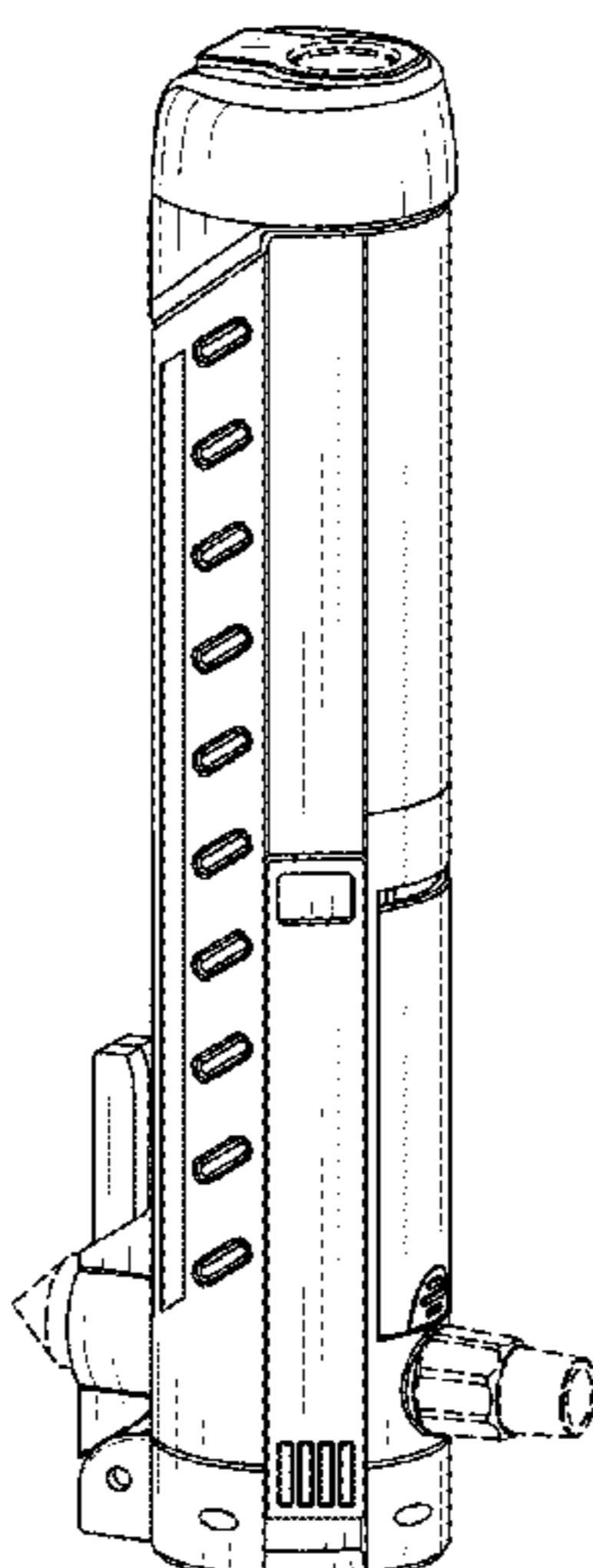
(56) **References Cited**

U.S. PATENT DOCUMENTS

4,631,831	A	12/1986	Bacher et al.
4,970,894	A	11/1990	Huang
D317,880	S	7/1991	Meehan
D366,846	S	2/1996	Handfield et al.
D390,140	S	2/1998	Germanton
D395,835	S	7/1998	Okuyama et al.
5,883,306	A	3/1999	Hwang
5,895,845	A	4/1999	Burger
D409,509	S	5/1999	Petrucelli et al.
D409,931	S	5/1999	Petrucelli et al.
5,987,978	A	11/1999	Whitehead
D440,893	S	4/2001	Van Zeyl
D440,894	S	4/2001	Van Zeyl
D440,895	S	4/2001	Van Zeyl
D441,674	S	5/2001	Van Zeyl
D447,970	S	9/2001	Cappiello et al.
D450,257	S	11/2001	Bressler et al.
D455,666	S	4/2002	Cappiello et al.

(Continued)

1 Claim, 9 Drawing Sheets



(56)

References Cited

U.S. PATENT DOCUMENTS

D459,257 S	6/2002	Petrucci	D528,934 S	9/2006	Stowers et al.
D459,668 S	7/2002	Petrucci	D534,092 S	12/2006	Kuskovsky
D462,627 S	9/2002	Petrucci	D564,383 S	3/2008	Petrucci et al.
6,634,223 B2	10/2003	Hartmann et al.	D596,970 S	7/2009	Petrucci
7,010,969 B1	3/2006	Huang	D603,733 S	11/2009	Stowers et al.
D522,894 S	6/2006	Stowers et al.	D606,435 S	12/2009	Zheng
D524,667 S	7/2006	Fujioka	D631,766 S	2/2011	Petrucci
D524,669 S	7/2006	Stowers et al.	D631,768 S	2/2011	Petrucci et al.
D526,229 S	8/2006	Stowers et al.	7,928,960 B2	4/2011	Baldo et al.
D526,589 S	8/2006	Stowers et al.	D648,236 S	11/2011	Rodrig
D526,922 S	8/2006	Stowers et al.	D671,017 S	11/2012	Petrucci et al.
			D671,025 S	11/2012	Stowers
			D683,643 S	6/2013	Stowers et al.
			2011/0005309 A1 *	1/2011	Kamphuis et al. 73/146.8

* cited by examiner

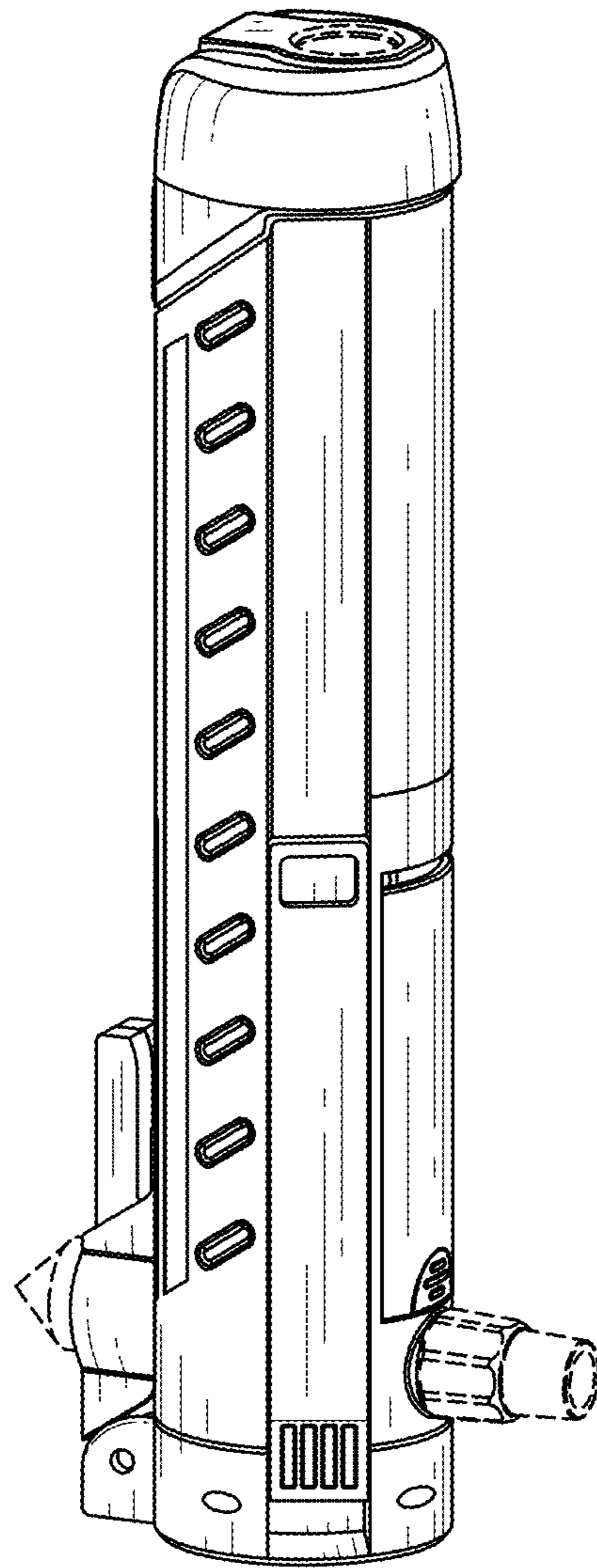


Fig. 1

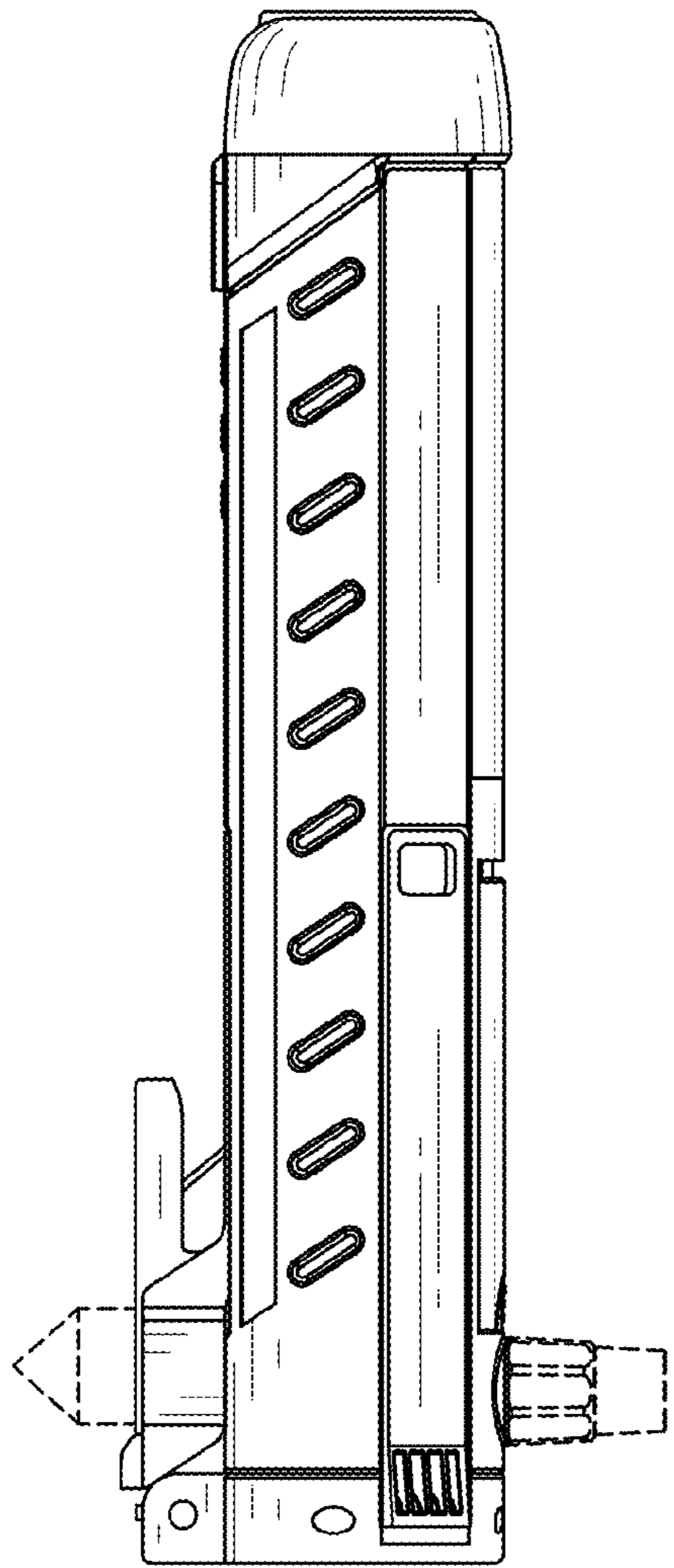


Fig. 2

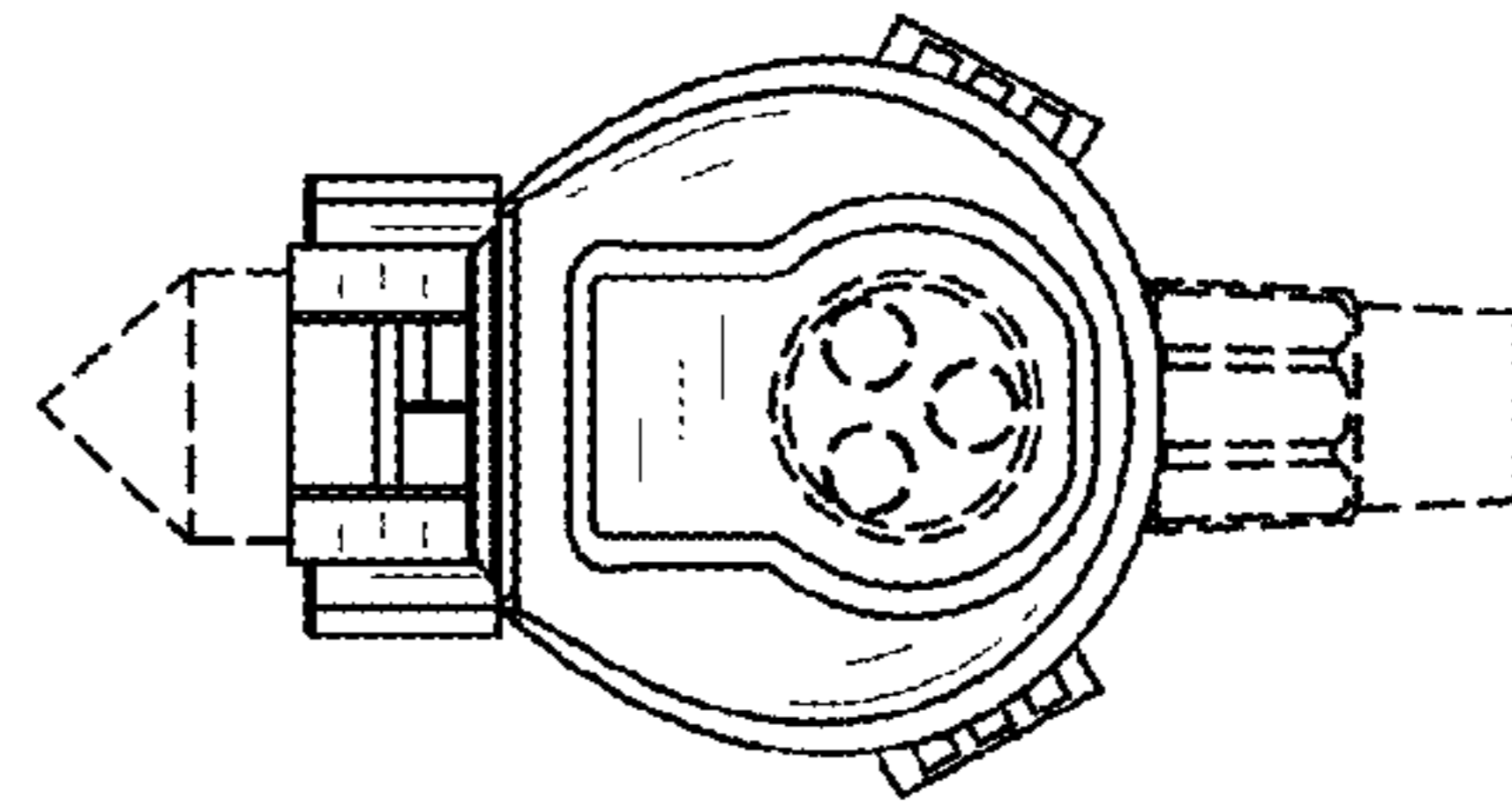


Fig. 3

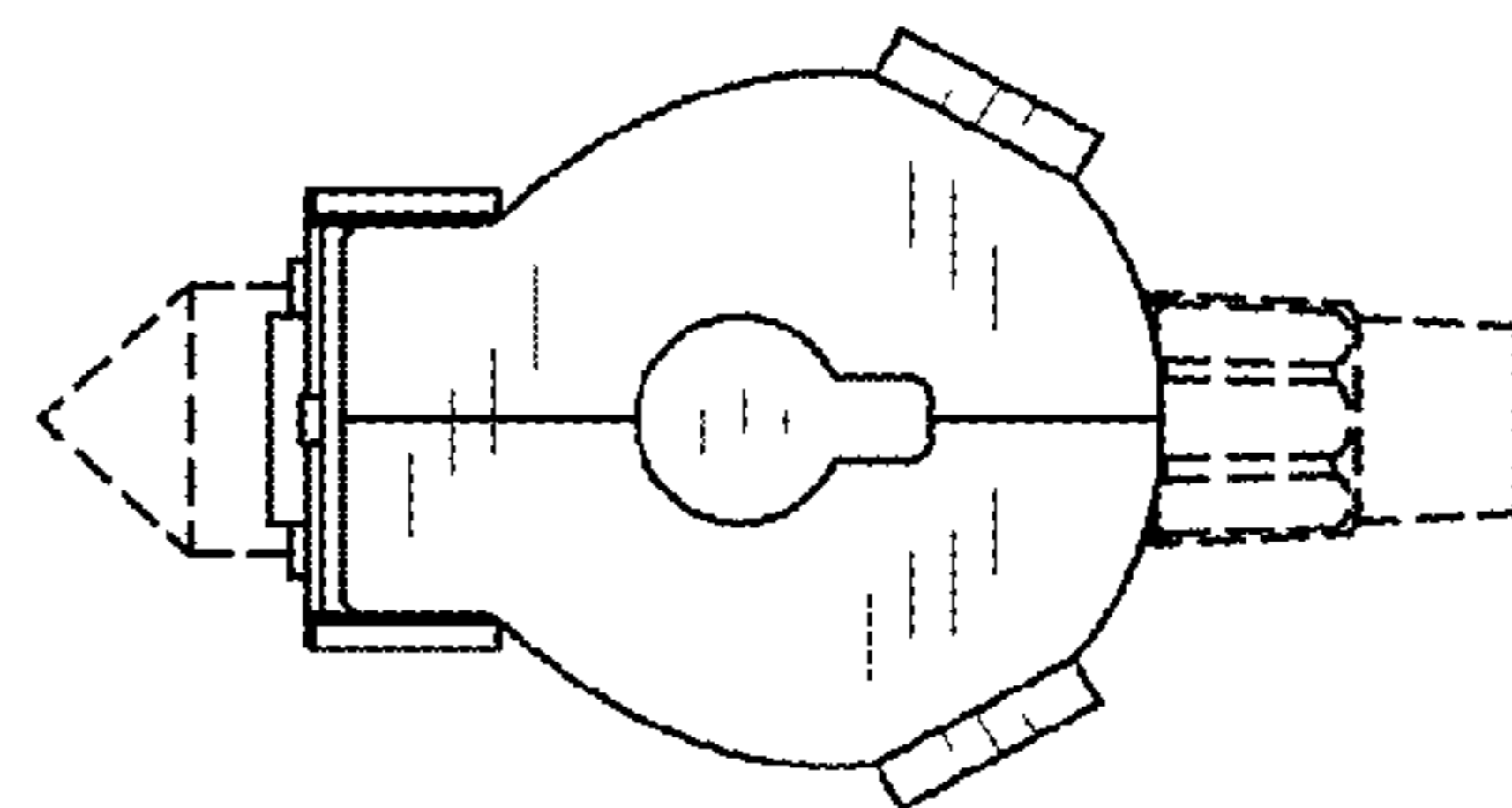


Fig. 4

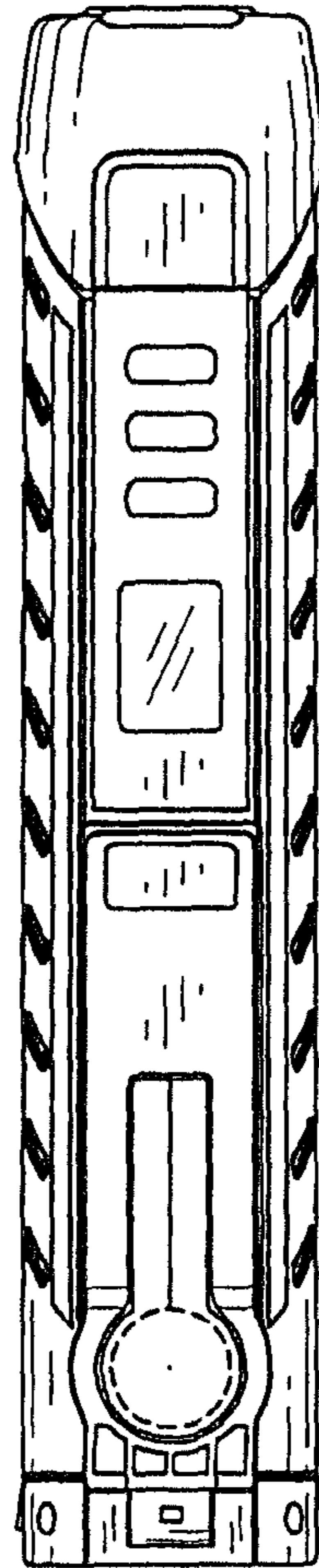


Fig. 5

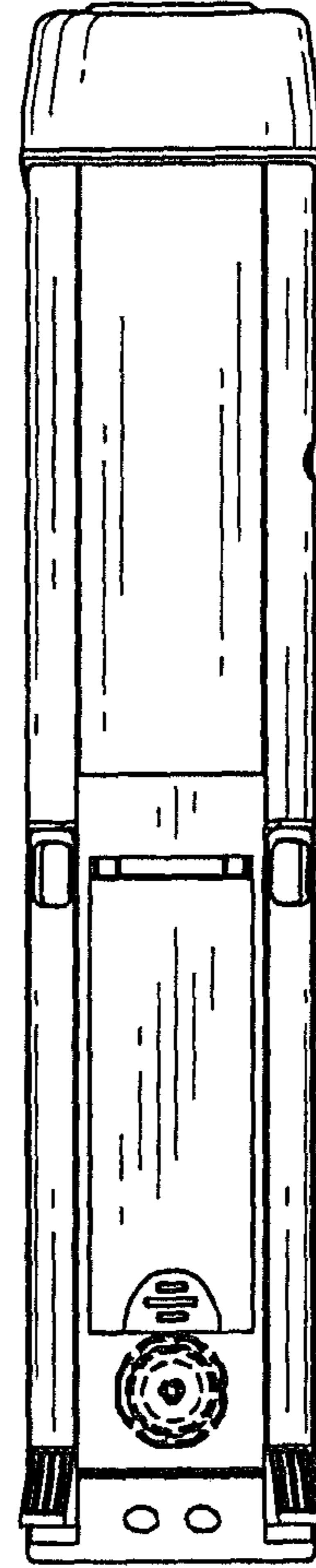


Fig. 6

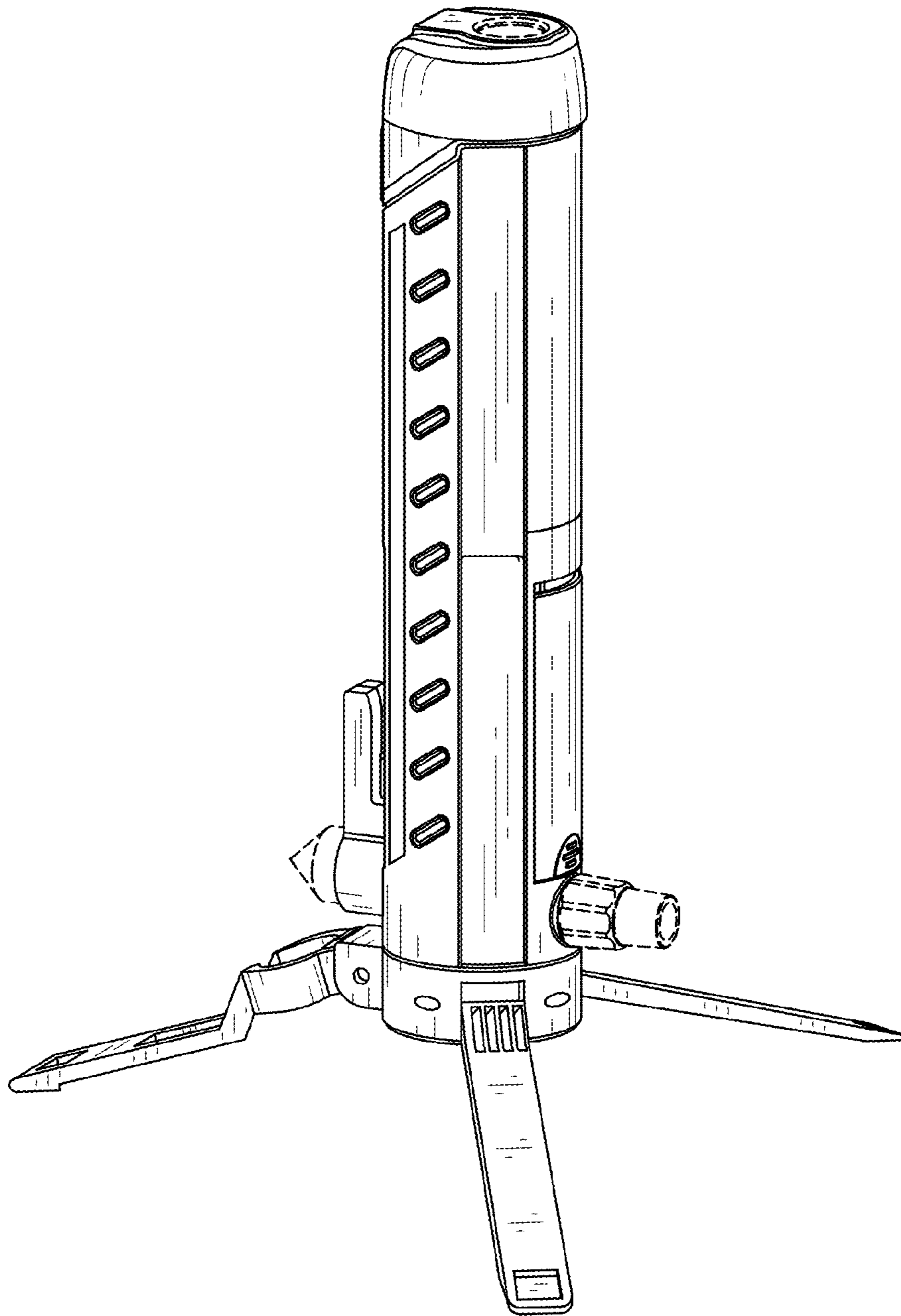


Fig. 7

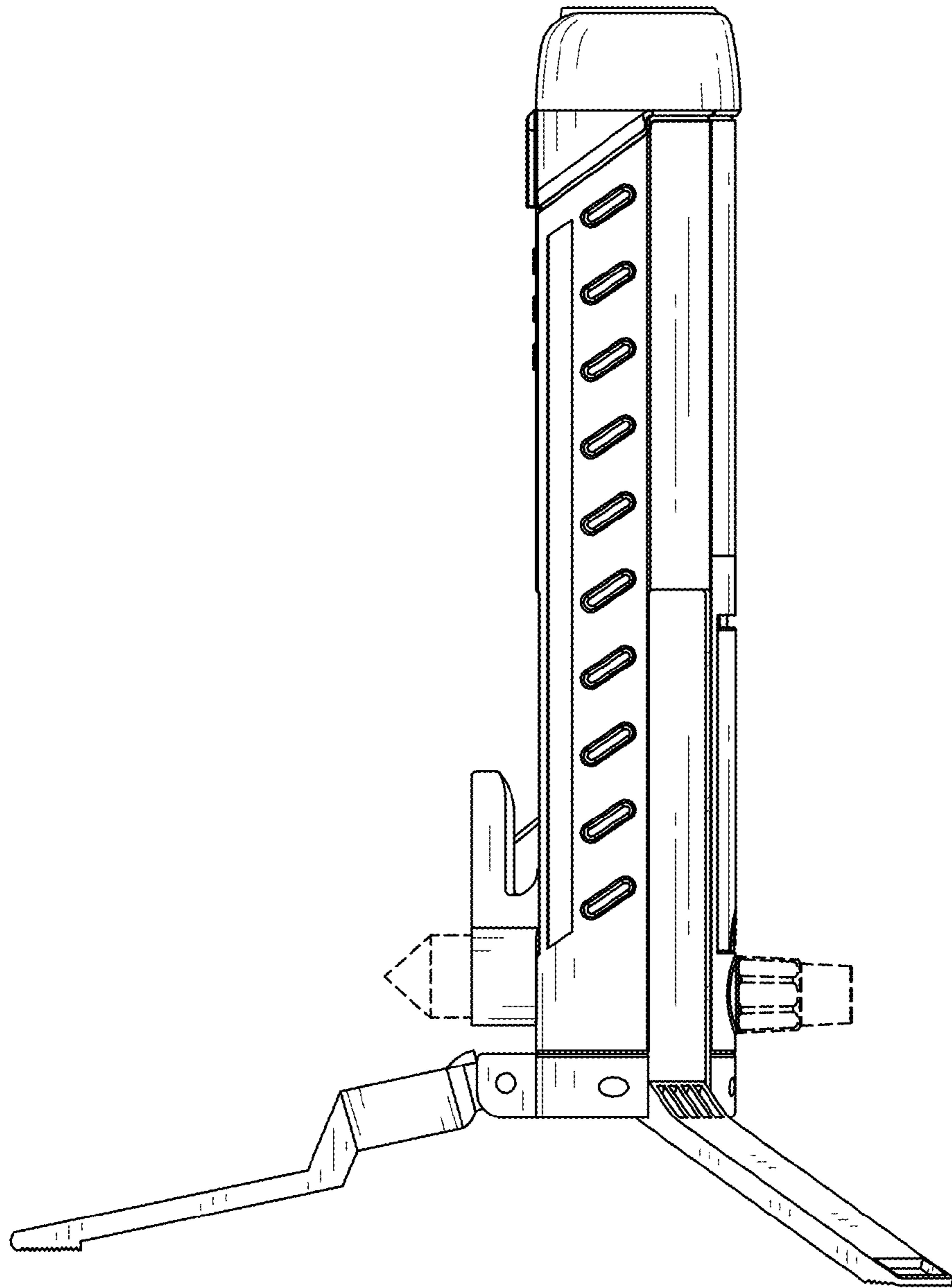


Fig. 8

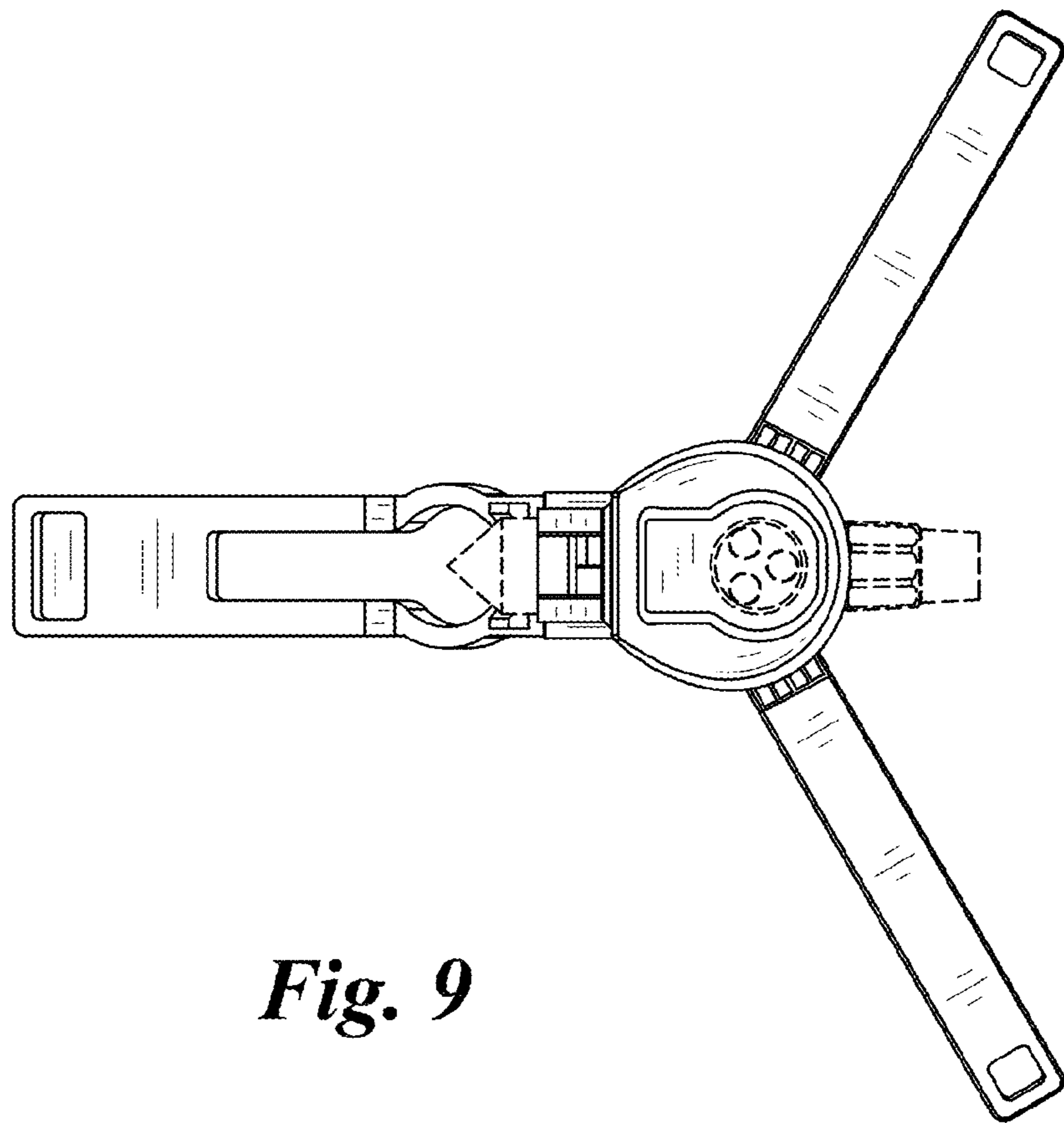


Fig. 9

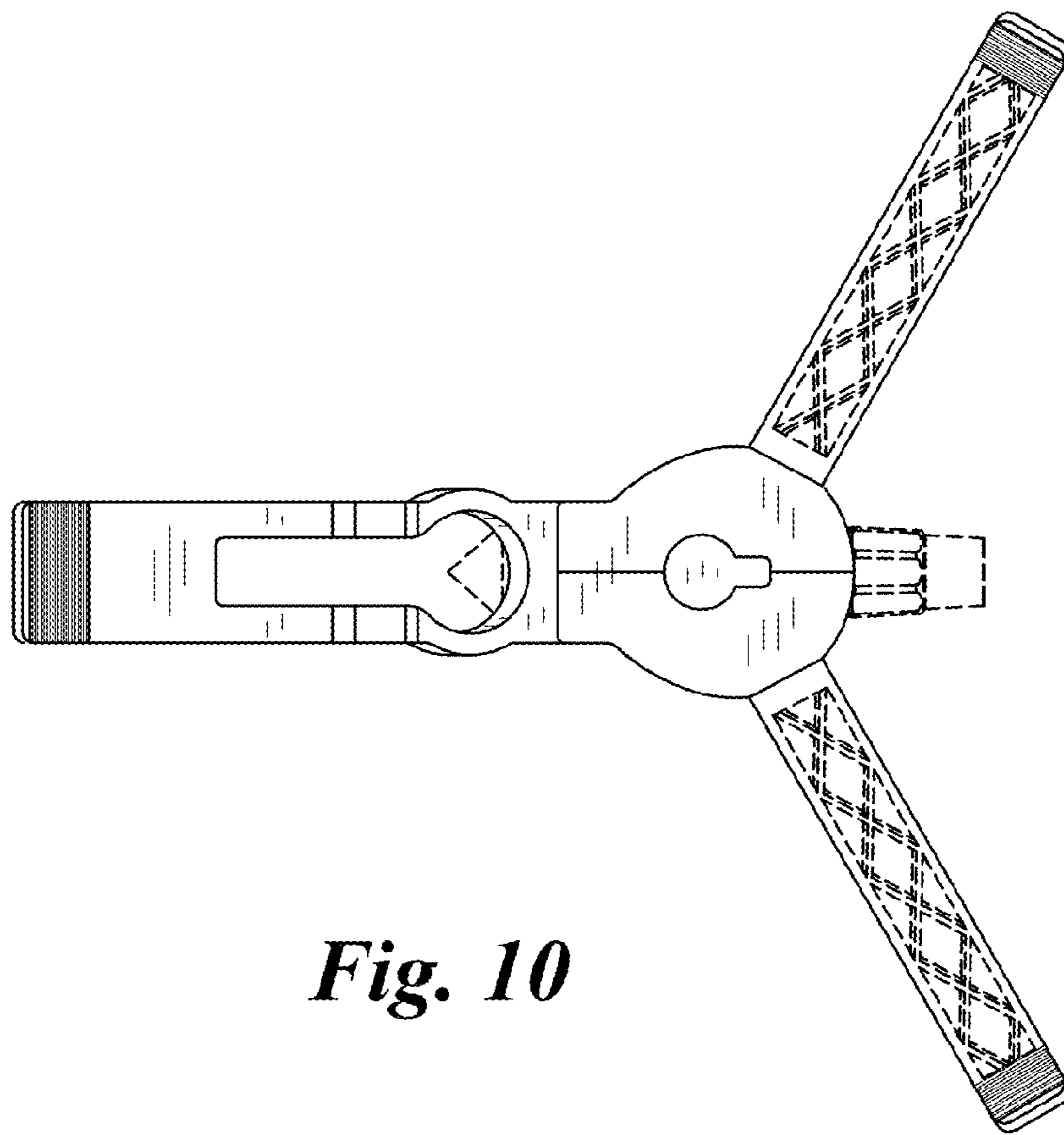


Fig. 10

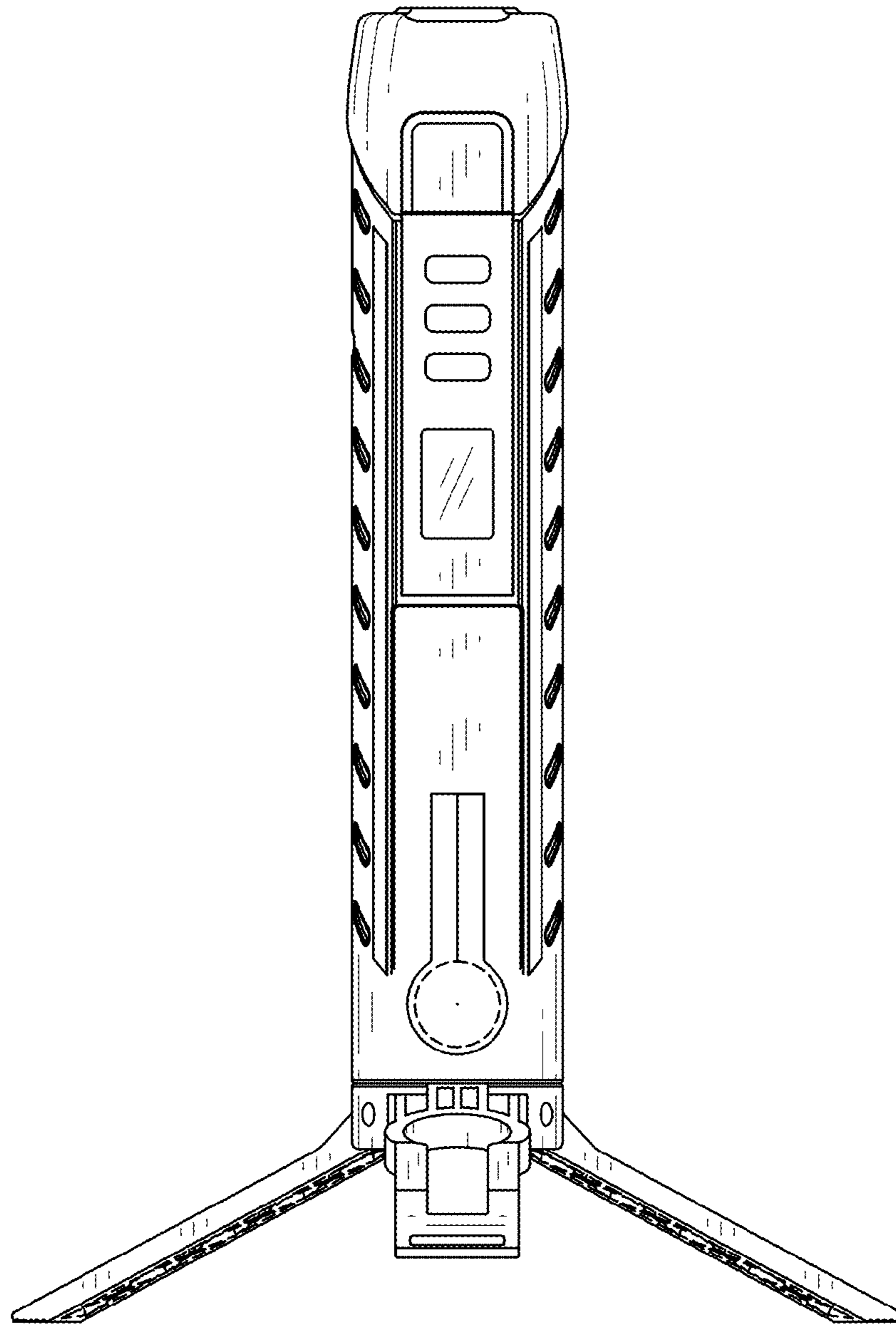


Fig. 11

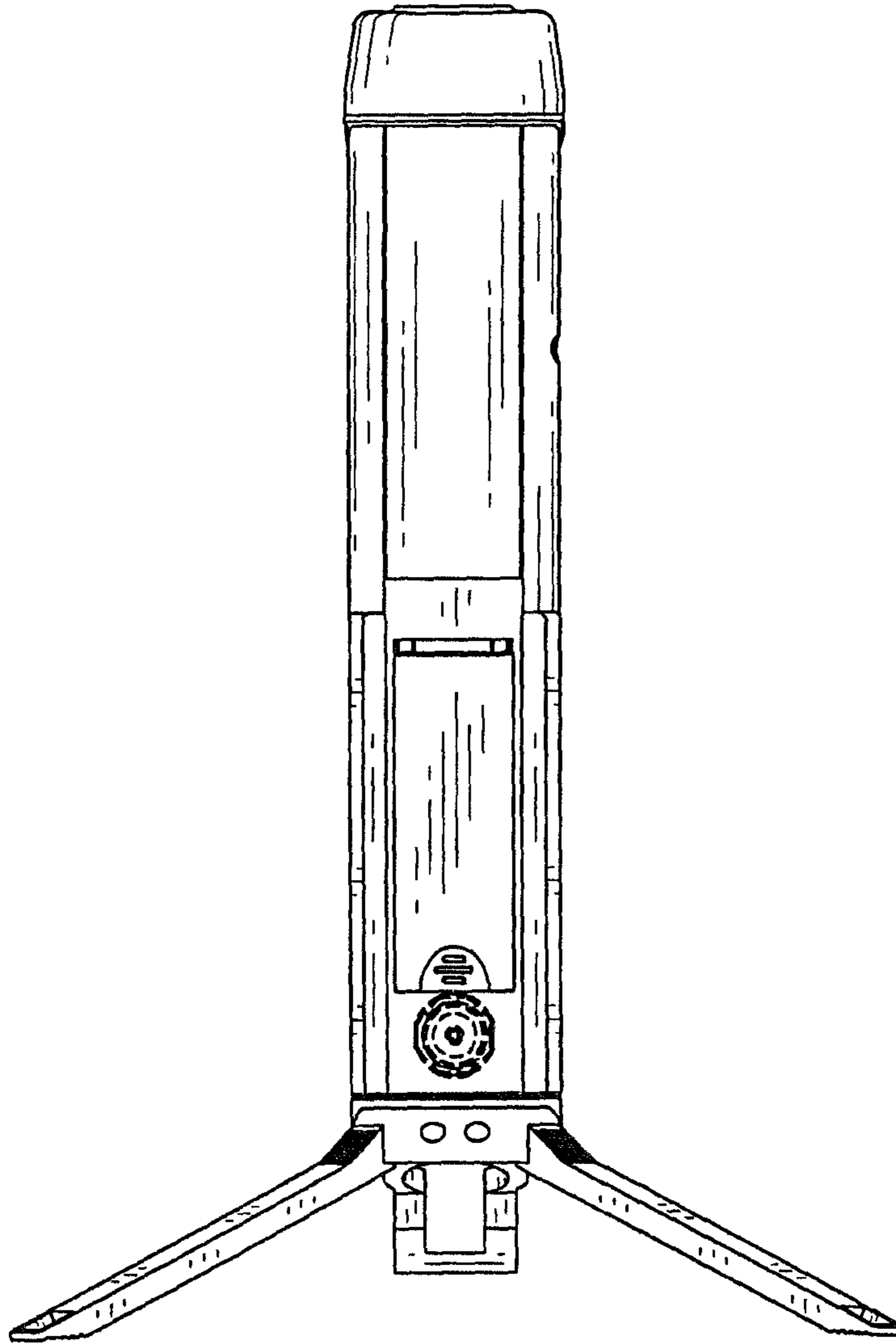


Fig. 12