



US00D724457S

(12) **United States Design Patent**
Bardin et al.

(10) **Patent No.:** **US D724,457 S**
(45) **Date of Patent:** **** Mar. 17, 2015**

(54) **TENSION METER**

2011/0000317 A1 1/2011 Ruan
2011/0001627 A1 1/2011 Ruan
2011/0178731 A1 7/2011 Munoz Ochovo

(71) Applicant: **Southwire Company**, Carrollton, GA (US)

FOREIGN PATENT DOCUMENTS

(72) Inventors: **Tim R. Bardin**, Mesa, AZ (US); **Chad Garrish**, Gainesville, GA (US); **Allan Wayne Daniel**, Woodland, AL (US); **David G. Fuller**, Lilburn, GA (US); **Lambros Samouris**, Tucker, GA (US)

CN	201133850	12/2007
CN	201145621	12/2007
CN	101655403	9/2009
CN	102118881	12/2009
CN	101915631	8/2010
CN	201600214	10/2010
CN	102486419	12/2010
CN	202033145	3/2011
CN	201935767	8/2011
CN	102173359	9/2011
CN	102494829	11/2011
CN	202329899	11/2011
CN	102288223	12/2011
CN	102445295	12/2011
CN	202382895	12/2011
CN	202511936	1/2012
CN	202141473	2/2012
CN	202485848	2/2012
CN	202609720	5/2012
CN	102980706	12/2012
CN	102867399	1/2013
CN	102923539	2/2013
DE	2727228	6/1977
FR	2711425	4/1995
GB	2173005	10/1986
RU	99165	11/2010
WO	2005075286	8/2005
WO	2013004375	1/2013

(73) Assignee: **Southwire Company, LLC**, Carrollton, GA (US)

(**) Term: **14 Years**

(21) Appl. No.: **29/467,756**

(22) Filed: **Sep. 23, 2013**

(51) **LOC (10) Cl.** **10-04**

(52) **U.S. Cl.**
USPC **D10/83**

(58) **Field of Classification Search**
CPC G01J 1/44; G01J 3/02; G01J 3/0229;
G01J 3/0232; G01J 3/0256; G01J 3/0264;
G01J 3/0286; G01J 3/0297; G01J 3/1895;
G01J 3/4338; G01J 3/44; G01J 3/0272;
G01J 3/0208; G01J 3/0291; G01J 3/443;
G01J 3/463; G01J 3/502
USPC D10/83-85; 114/230.21, 230.22;
73/765, 862.393, 862.394, 862.391,
73/862.541, 862.632-862.642; 340/984
See application file for complete search history.

OTHER PUBLICATIONS

“Tension Controller with WiFi Communication,” [http://www.globalspec.com/FeaturedProducts/Detail/DoverFlexo/Tension_Controller_with_WiFi_Communication/222229/0], 1 page, retrieved Aug. 9, 2013.

(56) **References Cited**

U.S. PATENT DOCUMENTS

3,759,094 A	9/1973	A1	
5,109,707 A *	5/1992	VanGerpen	73/862.637
5,224,388 A	7/1993	Pratt	
5,235,861 A	8/1993	Seppa	
2003/0097885 A1	5/2003	Kell	
2003/0128138 A1	7/2003	Grunder	
2007/0012824 A1	1/2007	Ryser et al.	
2010/0269580 A1	10/2010	Moody et al.	

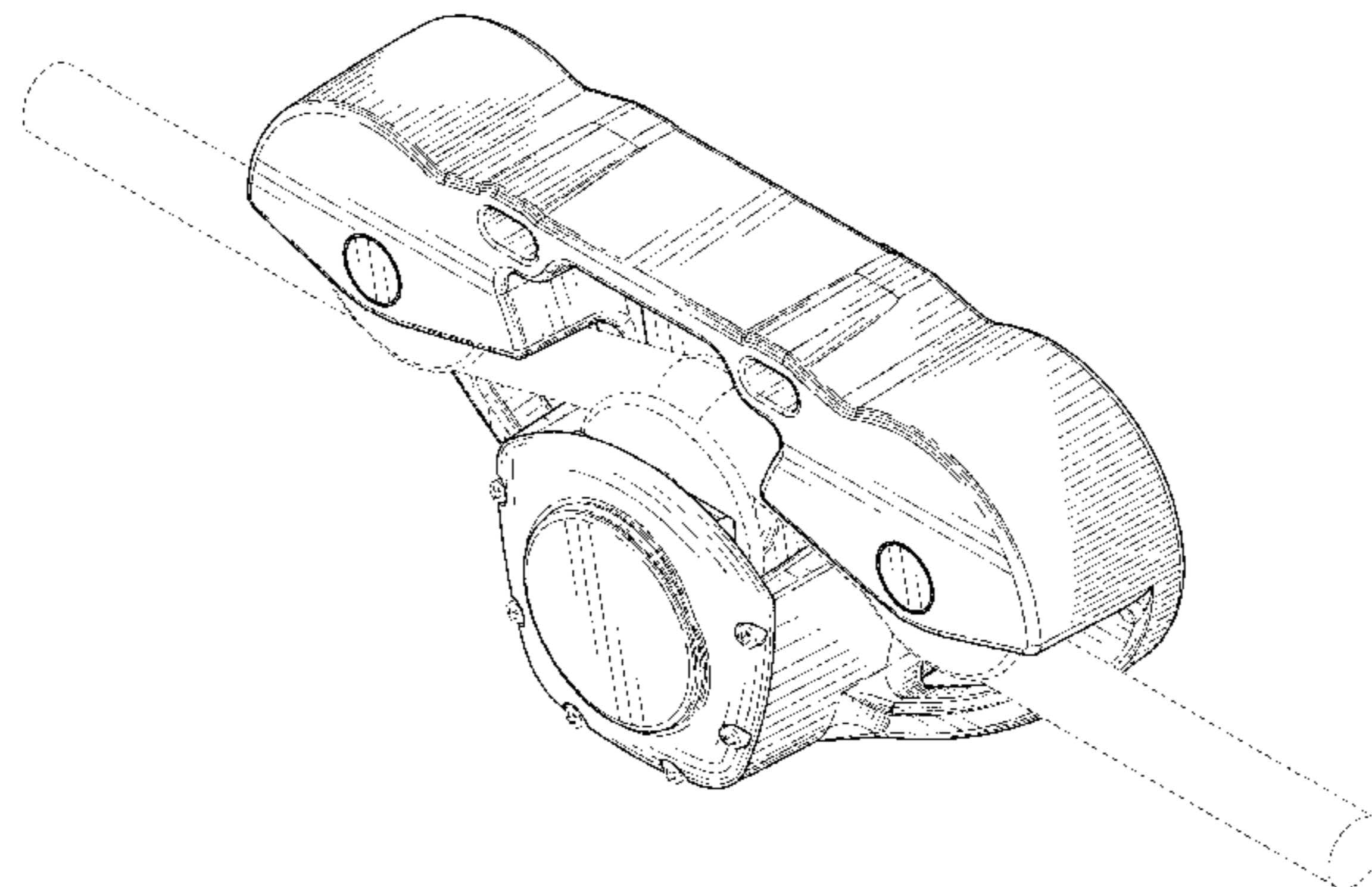
* cited by examiner

Primary Examiner — Antoine D Davis

(74) *Attorney, Agent, or Firm* — Hartman & Citrin LLC

(57) **CLAIM**

The ornamental design for a tension meter, as shown and described.



DESCRIPTION

FIG. 1 is a front perspective view of a tension meter, where the broken line showing a linear element, the broken lines showing three pulleys through which the linear element is routed, and the broken lines showing fasteners are for the purpose of illustrating portions of the article and form no part of the claimed design;

FIG. 2 is a front view of the tension meter, where the broken line showing a linear element, the broken lines showing three pulleys through which the linear element is routed, and the broken lines showing fasteners are for the purpose of illustrating portions of the article and form no part of the claimed design;

FIG. 3 is a rear view of the tension meter, where the broken line showing a linear element, the broken lines showing fasteners, and the broken lines showing connectors are for the purpose of illustrating portions of the article and form no part of the claimed design;

FIG. 4 is a left side view of the tension meter, where the broken line showing a linear element, the broken lines show-

ing a pulley through which the linear element is routed, the broken lines showing fasteners, and the broken lines showing a connector are for the purpose of illustrating portions of the article and form no part of the claimed design;

FIG. 5 is a right side view of the tension meter, where the broken line showing a linear element, the broken lines showing a pulley through which the linear element is routed, the broken lines showing fasteners, and the broken lines showing a connector are for the purpose of illustrating portions of the article and form no part of the claimed design;

FIG. 6 is a top view of the tension meter, where the broken line showing a linear element and the broken lines showing fasteners are for the purpose of illustrating portions of the article and form no part of the claimed design; and,

FIG. 7 is a bottom view of the tension meter, where the broken line showing a linear element, the broken lines showing two pulleys through which the linear element is routed, the broken lines showing fasteners, and the broken lines showing a connector are for the purpose of illustrating portions of the article and form no part of the claimed design.

1 Claim, 5 Drawing Sheets

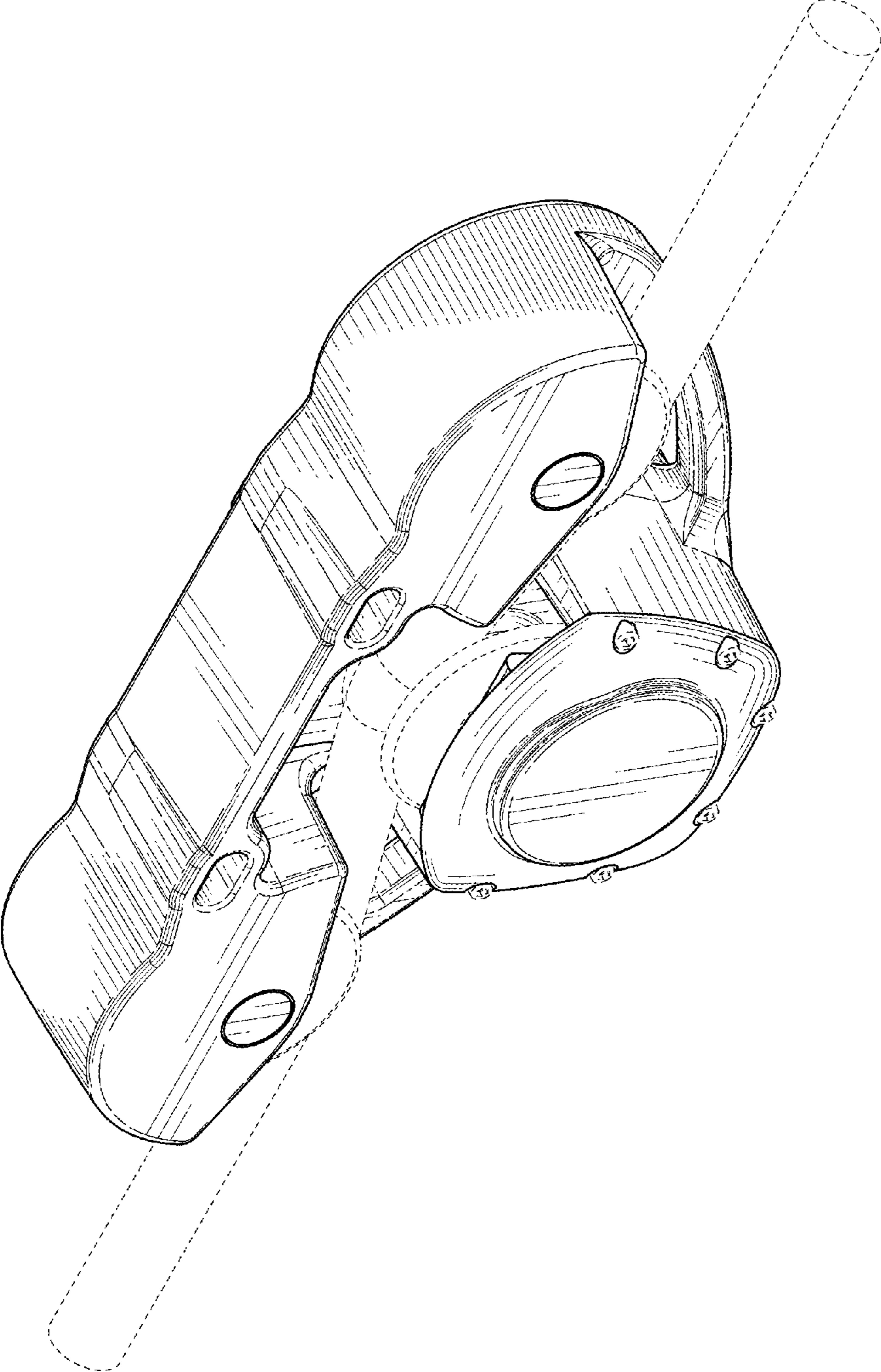


FIG. 1

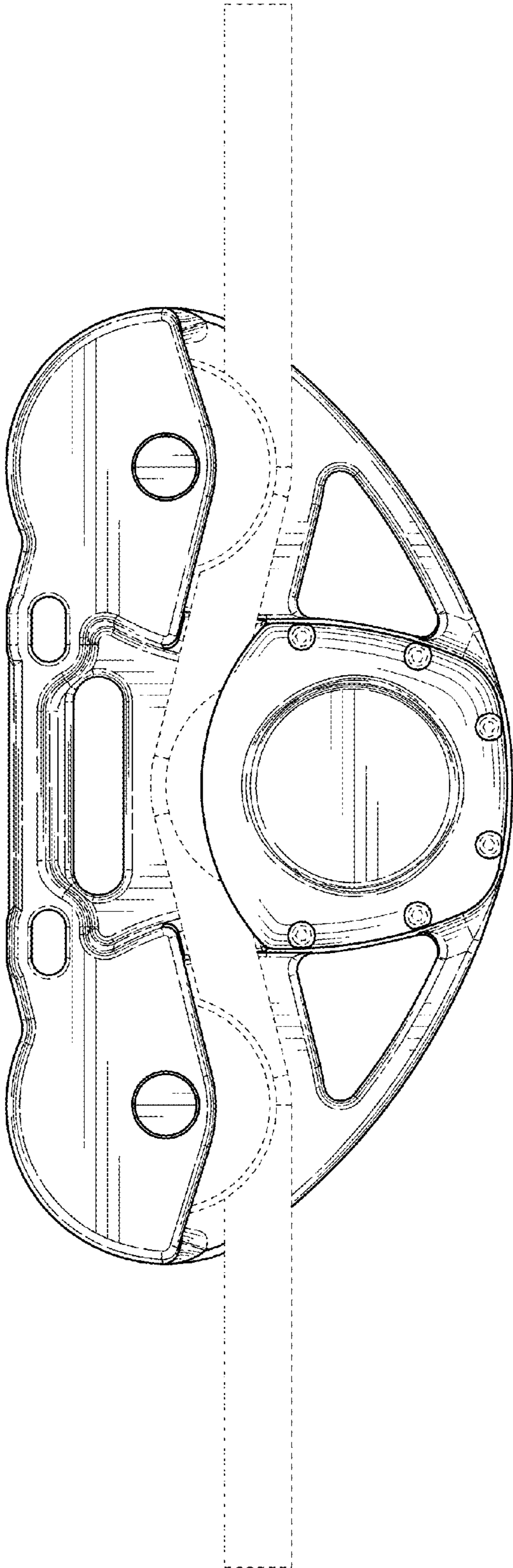


FIG. 2

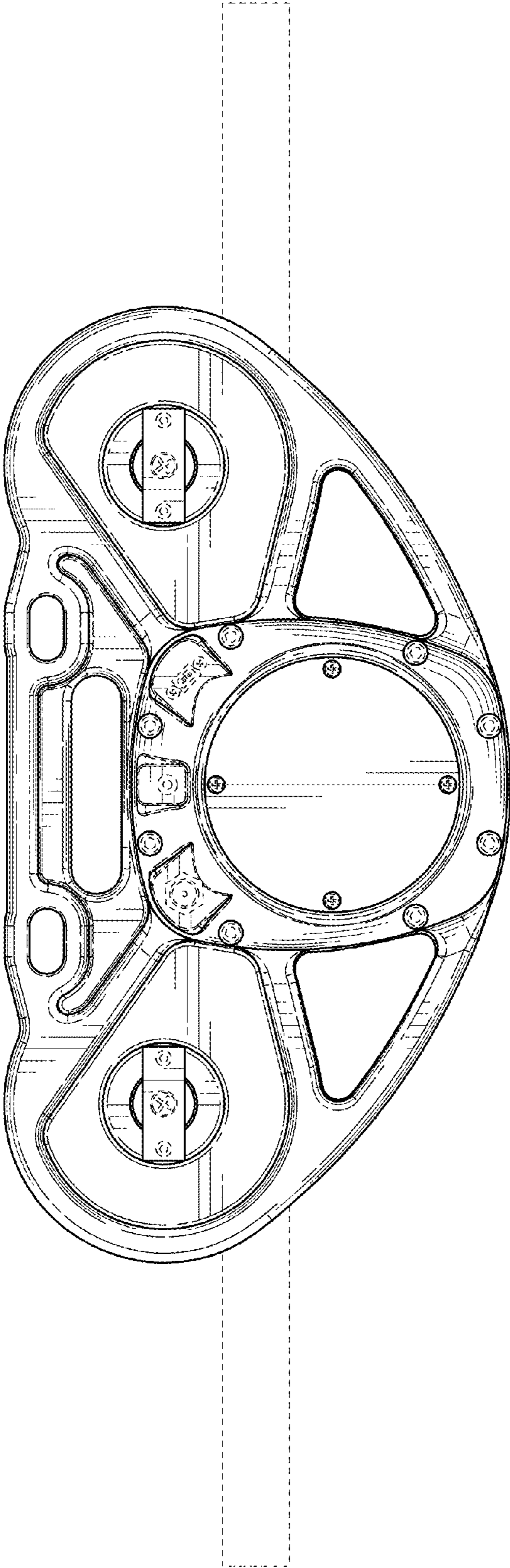


FIG. 3

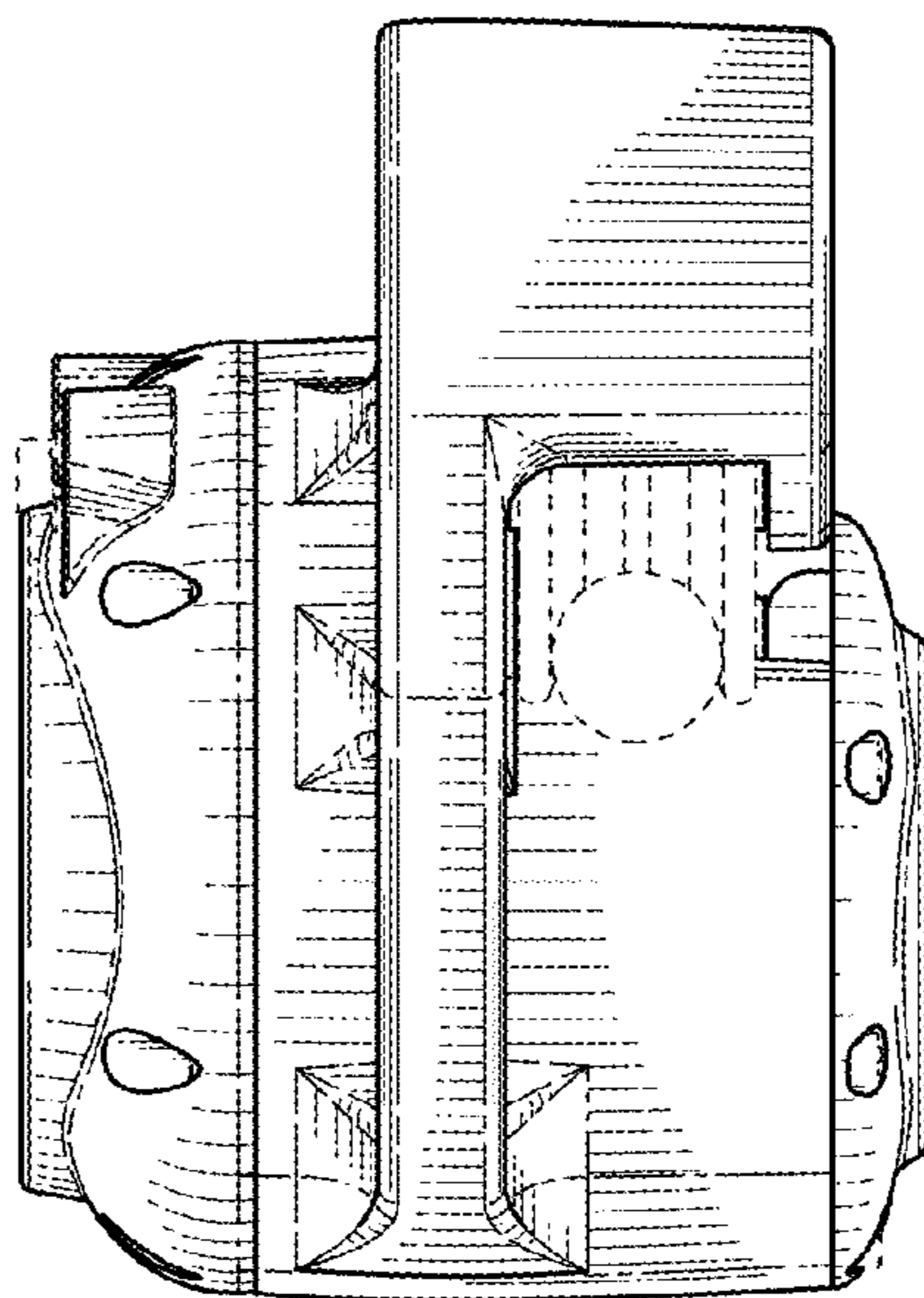


FIG. 4

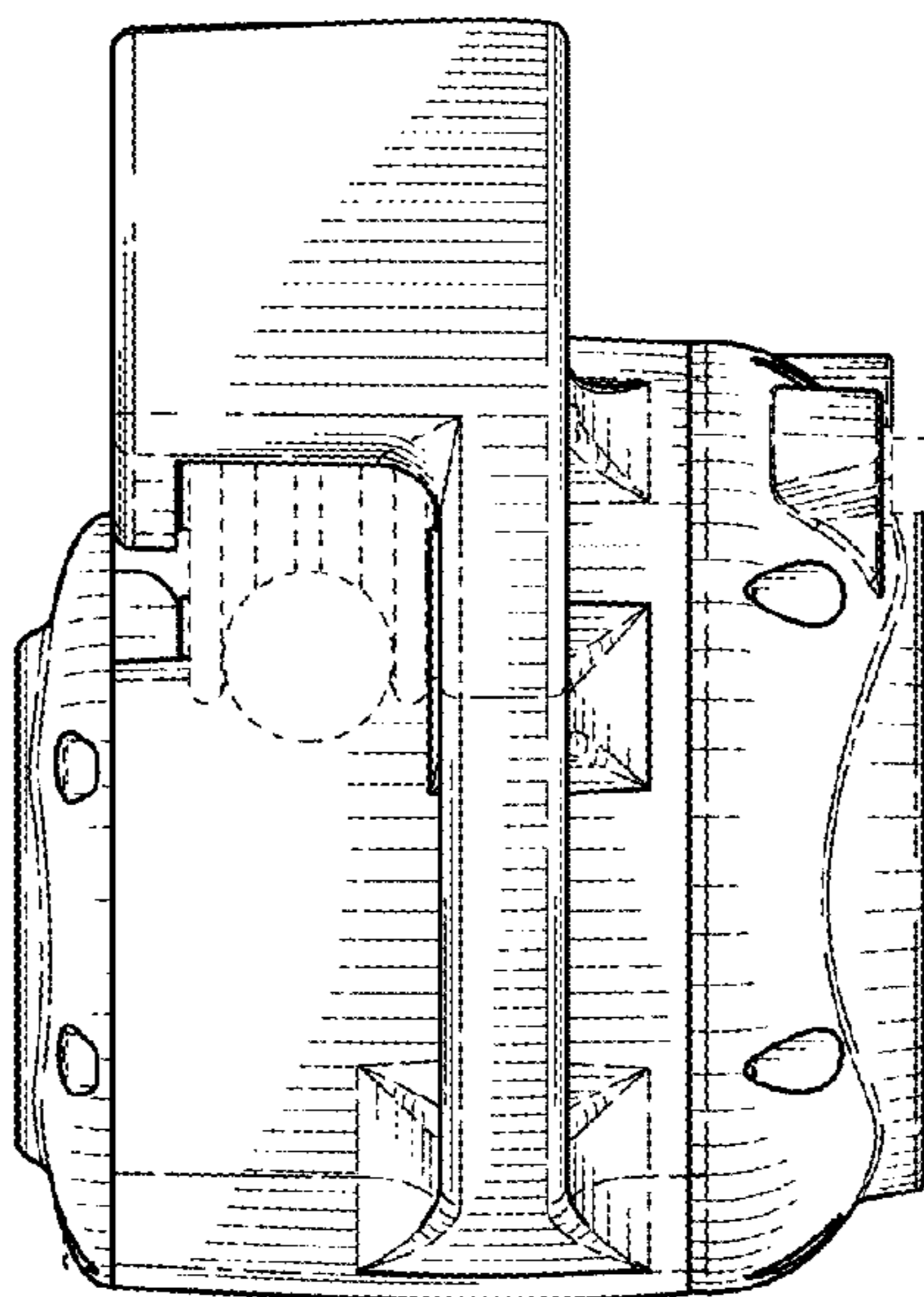


FIG. 5

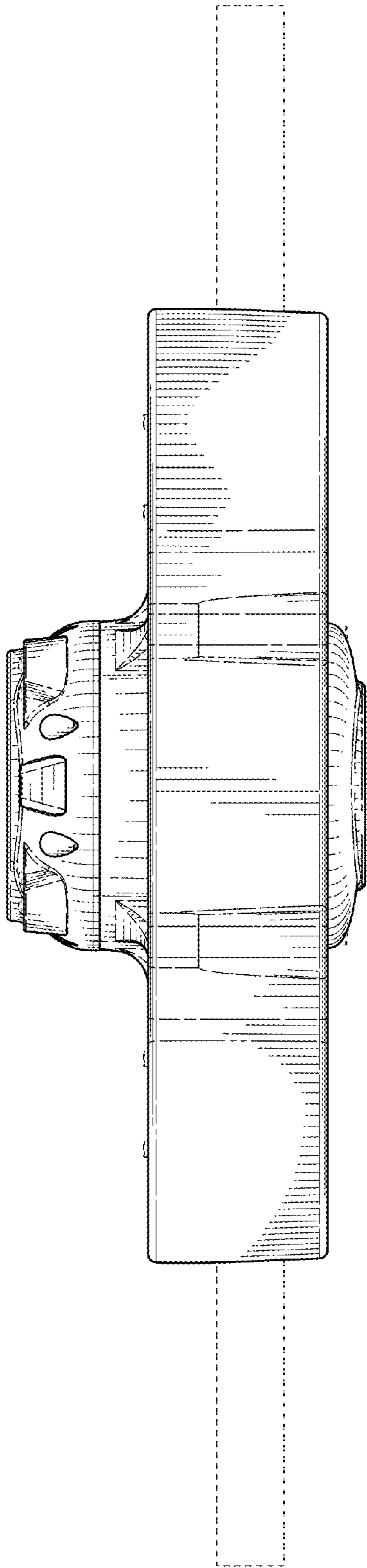


FIG. 6

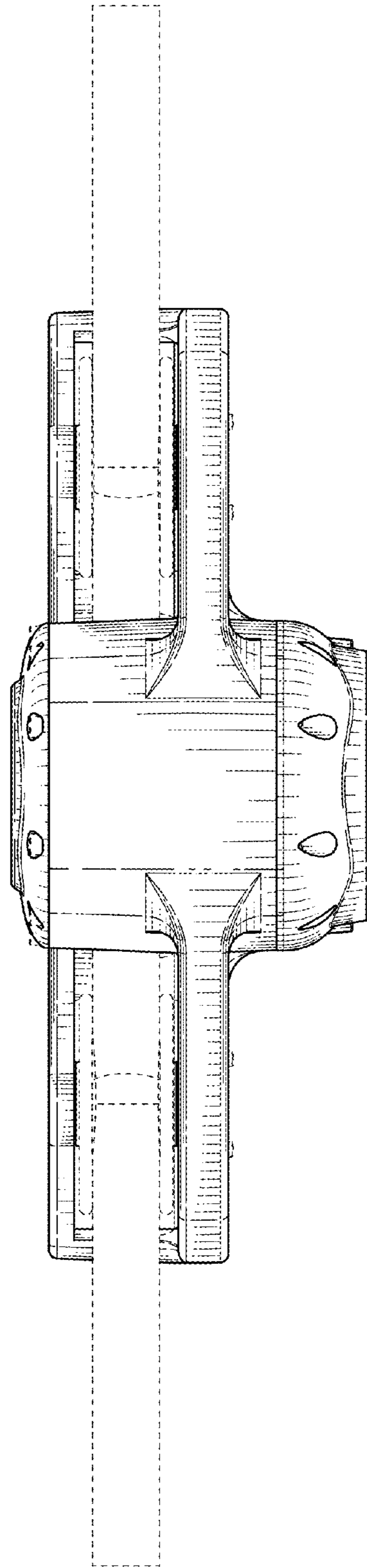


FIG. 7

UNITED STATES PATENT AND TRADEMARK OFFICE
CERTIFICATE OF CORRECTION

PATENT NO. : D724,457 S
APPLICATION NO. : 29/467756
DATED : March 17, 2015
INVENTOR(S) : Bardin et al.

Page 1 of 1

It is certified that error appears in the above-identified patent and that said Letters Patent is hereby corrected as shown below:

On the title page replace item (71) "Southwire Company" with

-- Southwire Company, LLC --.

Signed and Sealed this
First Day of September, 2015



Michelle K. Lee
Director of the United States Patent and Trademark Office