



US00D724456S

(12) **United States Design Patent**  
**Antonczak**

(10) **Patent No.:** **US D724,456 S**  
(45) **Date of Patent:** **\*\* Mar. 17, 2015**

(54) **SAMPLE PREPARATION AND LIQUID CHROMATOGRAPHY SYSTEM**

435/287.1, 287.2, 806, 13, 14, 287.4, 287.7, 435/287.94, 6.18; 436/43-54, 68, 900, 514, 436/530, 95; 600/300, 301, 309, 322, 345, 600/347, 365, 393, 578, 583, 584; 604/207, 604/503, 65, 66, 67, 182; 702/19, 40; 221/65, 135; 235/451, 422.01; 95/87; 96/101, 106

(71) Applicant: **Cohesive Technologies Inc.**, Franklin, MA (US)

(72) Inventor: **Michael Antonczak**, San Jose, CA (US)

(73) Assignee: **Cohesive Technologies Inc.**, Franklin, MA (US)

See application file for complete search history.

(\*\*) Term: **14 Years**

(56) **References Cited**

U.S. PATENT DOCUMENTS

(21) Appl. No.: **29/471,583**

D646,189 S \* 10/2011 Dinter et al. .... D10/81  
D661,607 S \* 6/2012 Dinter et al. .... D10/81  
D693,713 S \* 11/2013 Noda et al. .... D24/232  
2013/0295597 A1 \* 11/2013 DeWitte et al. .... 435/23  
2013/0319088 A1 \* 12/2013 Satake et al. .... 73/61.55

(22) Filed: **Nov. 1, 2013**

(51) **LOC (10) Cl.** ..... **10-04**

(52) **U.S. Cl.**  
USPC ..... **D10/81; D24/232**

\* cited by examiner

(58) **Field of Classification Search**

CPC ..... G01N 30/00; G01N 30/88; G01N 2030/8804-2030/965; G01N 30/26-30/38; G01N 35/1097; G01N 2030/201; G01N 2030/202; G01N 2030/207  
USPC ..... D10/75, 78, 81; D24/216, 232-234; 73/1.01, 1.02-1.08, 1.16, 19.01-19.02, 73/23.2-23.27, 23.3, 23.35-24.01, 52, 73/53.01, 61.52-61.61, 864.21, 431, 73/864.73, 31.03, 31.05, 866.5, 864.84, 73/864.23, 61.55, 863.01; 204/253, 400, 204/403.01, 403.02, 403.04, 403.05, 403.1, 204/403.11, 403.14; 205/775, 777.5, 778, 205/792; 210/656-660, 198.2, 635, 101, 210/103; 250/252.1, 251, 25, 266, 250/281-300, 305, 336.1, 338.1, 338.5, 250/339.07, 339.13, 343, 349, 239, 910; 356/446, 246, 301-337, 451, 72, 73; 422/50-53, 62-82, 83-98, 239.2, 400, 422/401, 404; 435/4, 283.1-284.1, 286.5,

*Primary Examiner* — Antoine D Davis

(74) *Attorney, Agent, or Firm* — Nicholas Cairns

(57) **CLAIM**

The ornamental design for a sample preparation and liquid chromatography system, as shown.

**DESCRIPTION**

FIG 1 is a front, top and left side perspective view of a sample preparation and liquid chromatography system showing the design;

FIG. 2 is a front, top and right side perspective view thereof;

FIG. 3 is a front elevational view thereof;

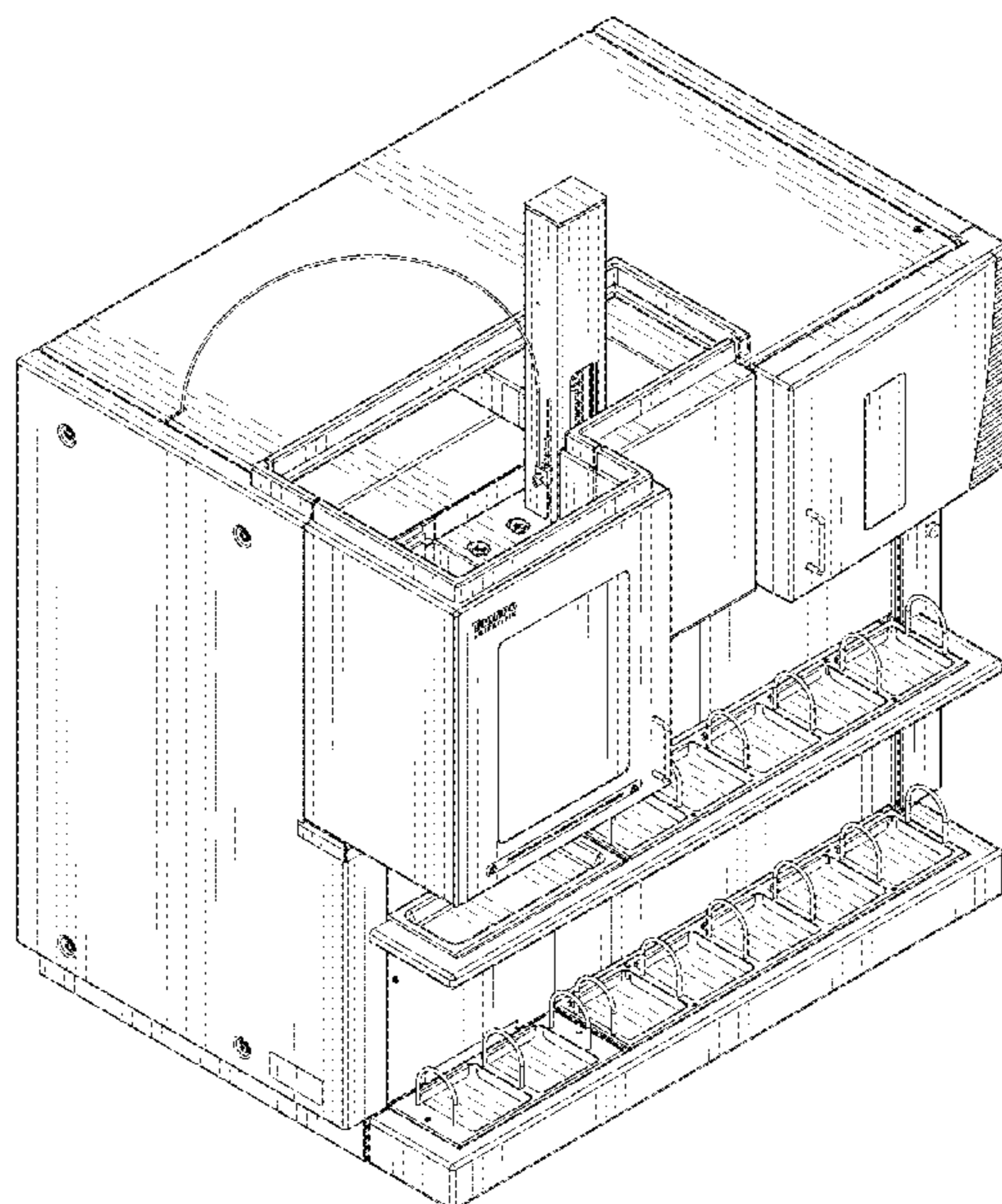
FIG. 4 is a rear elevational view thereof;

FIG. 5 is a left side elevational view thereof;

FIG. 6 is a right side elevational view thereof; and,

FIG. 7 is a top view thereof.

**1 Claim, 7 Drawing Sheets**



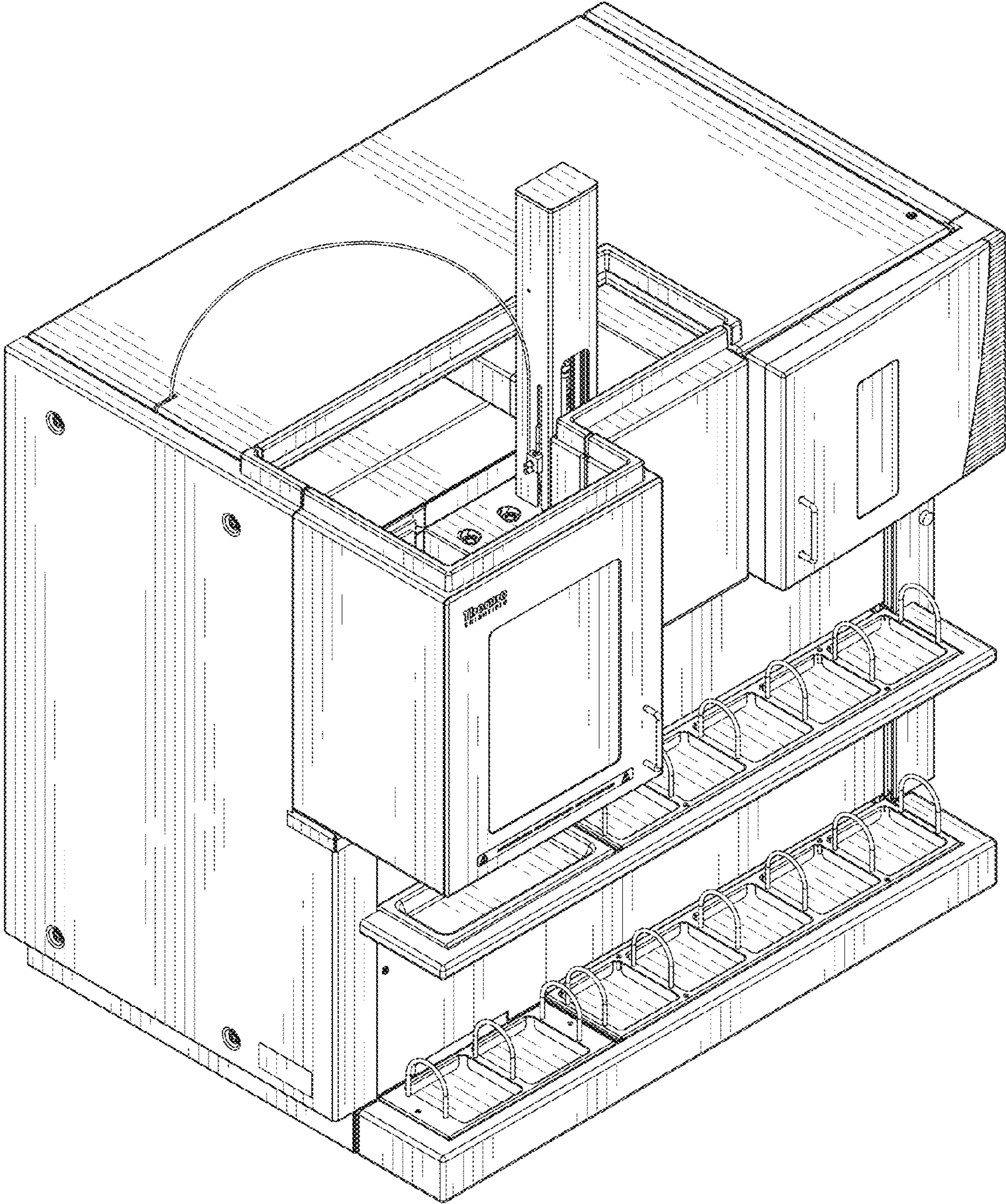


FIG. 1



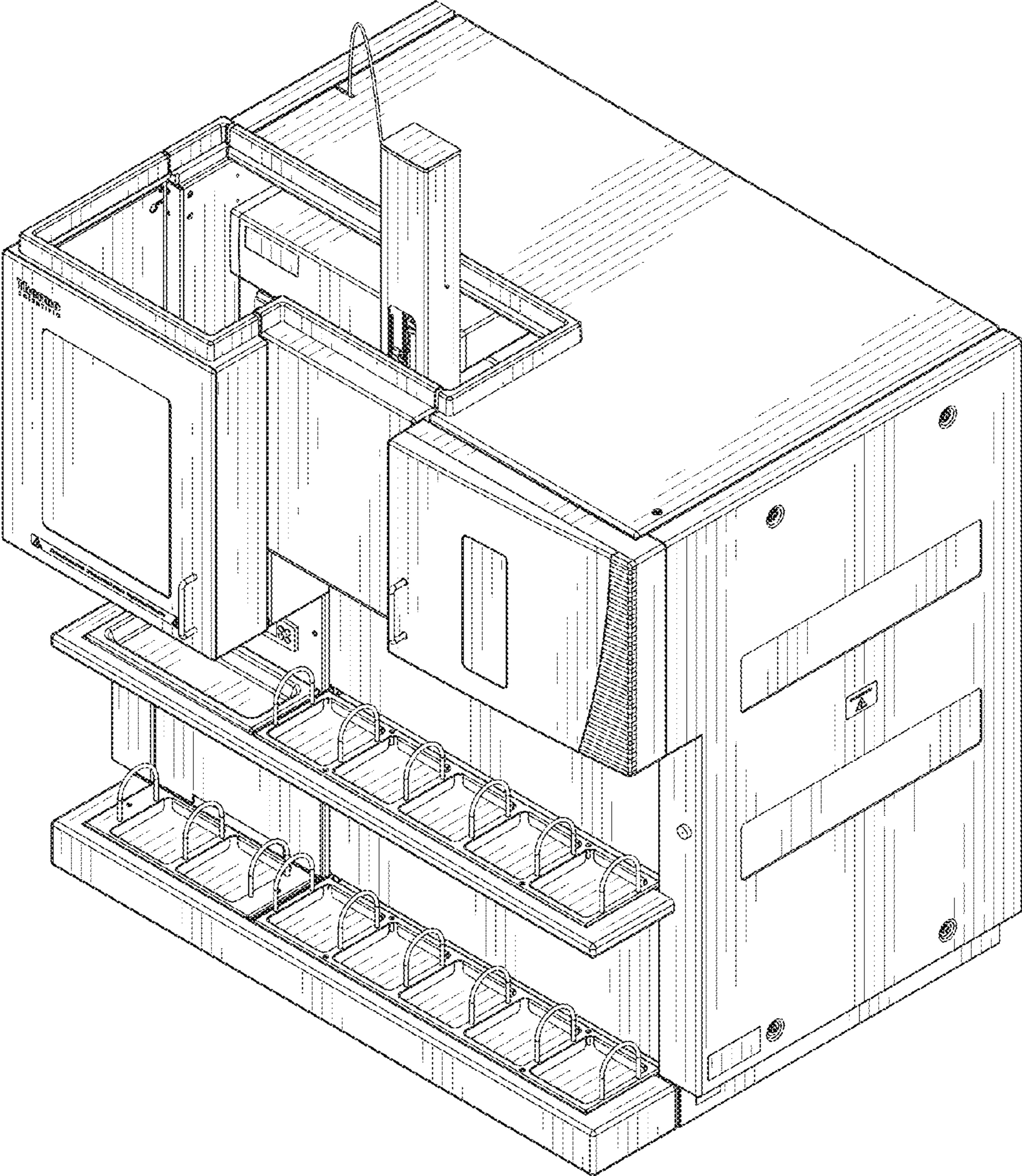


FIG. 2

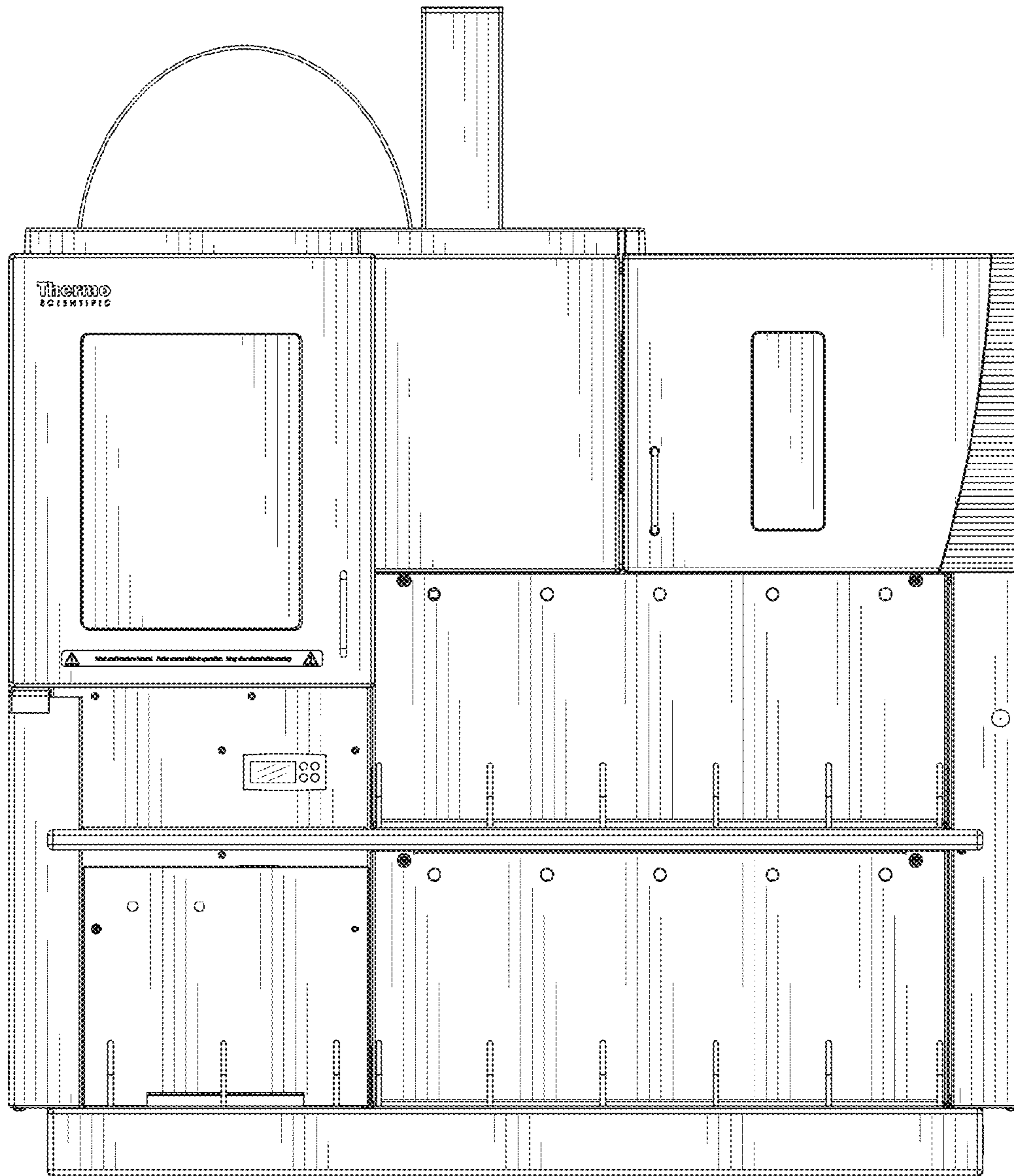


FIG. 3



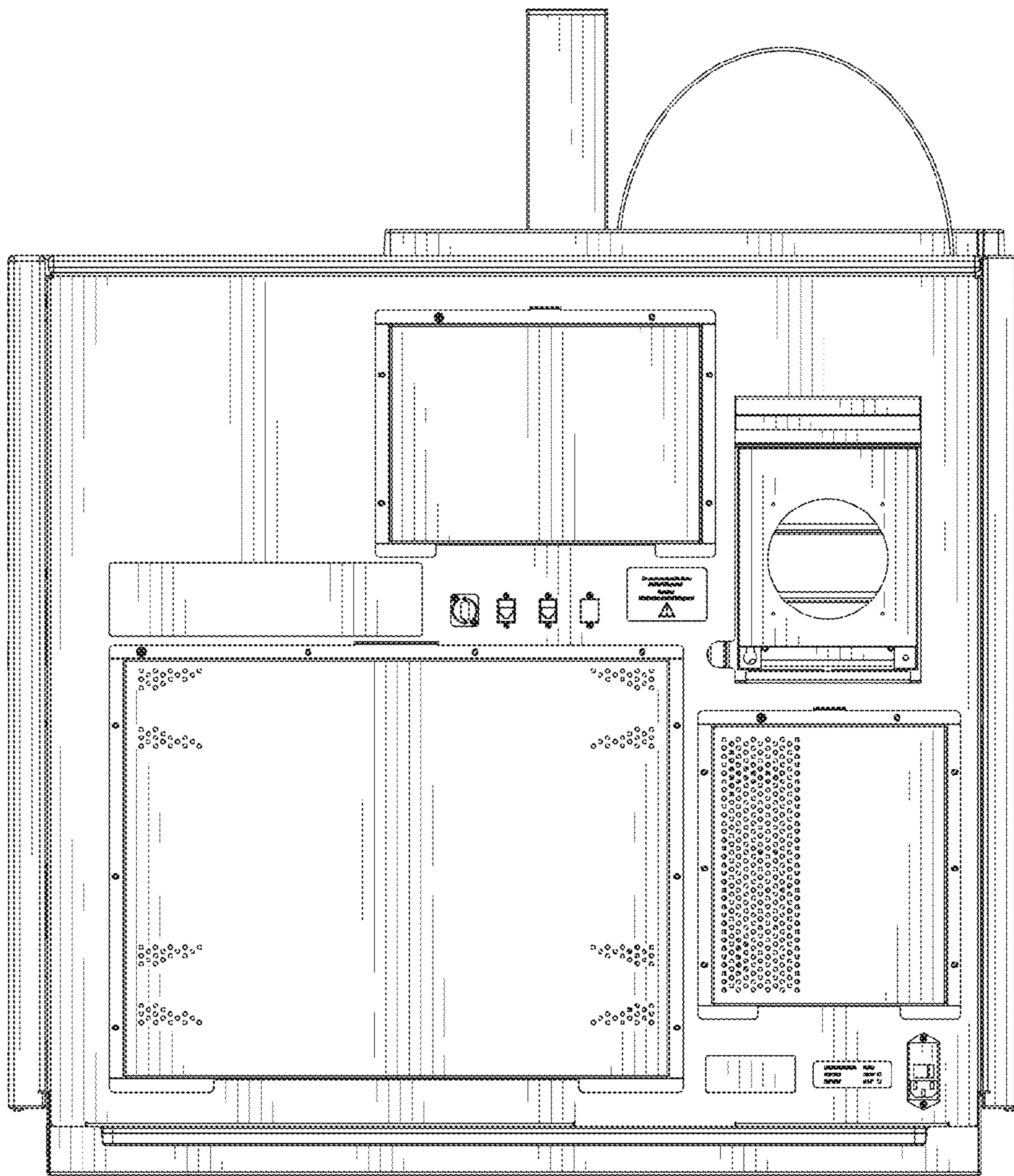
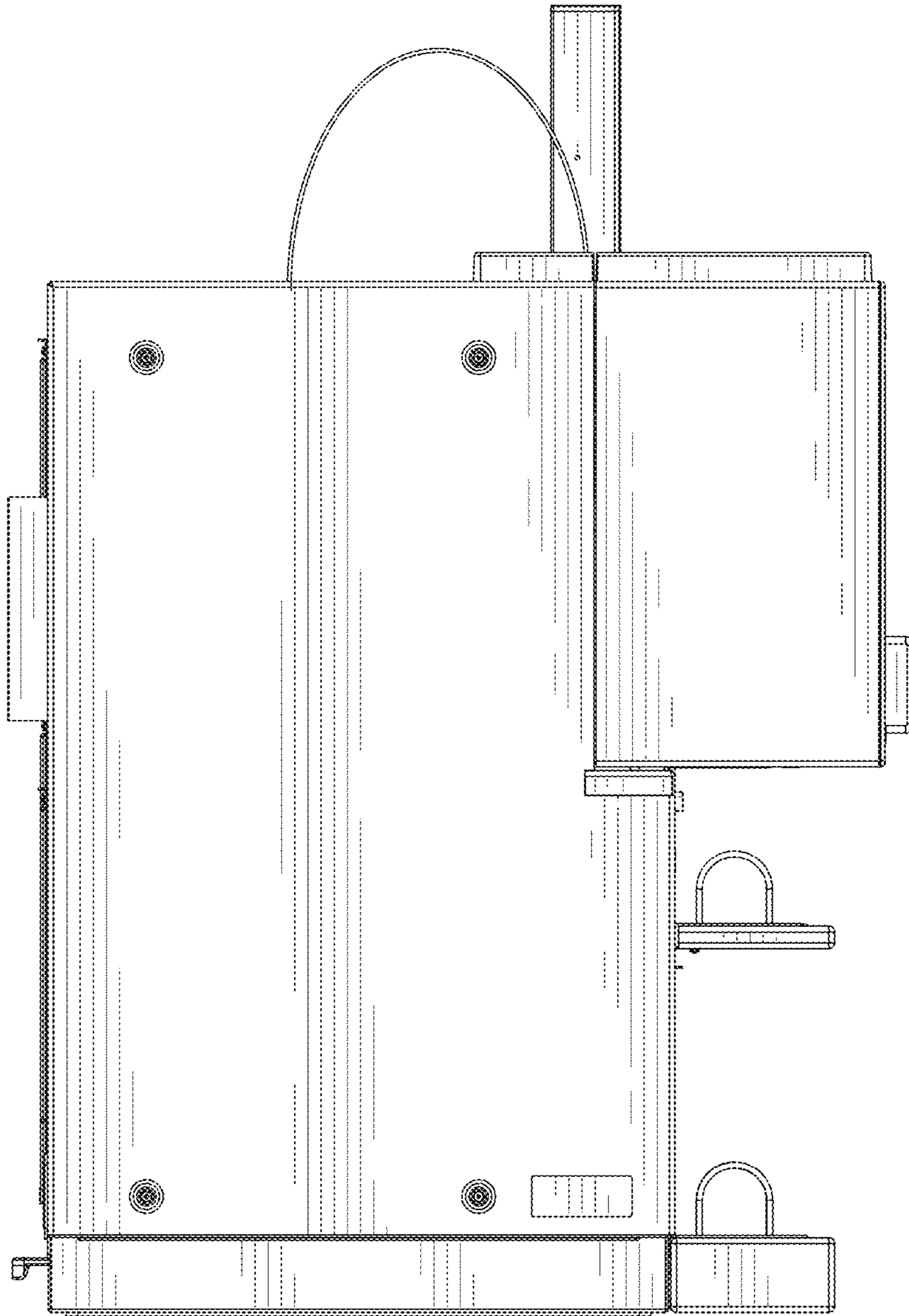


FIG. 4



**FIG. 5**

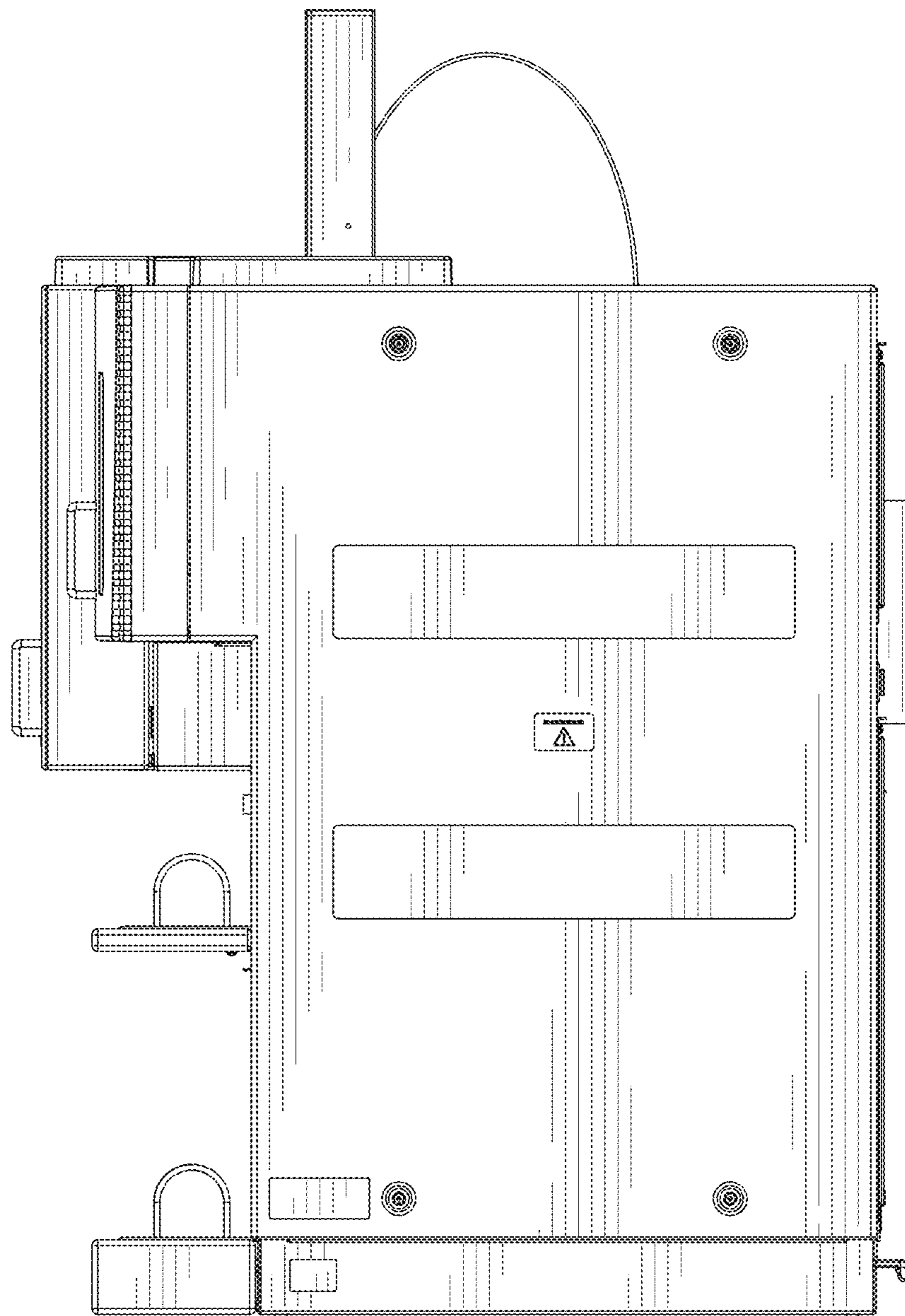


FIG. 6

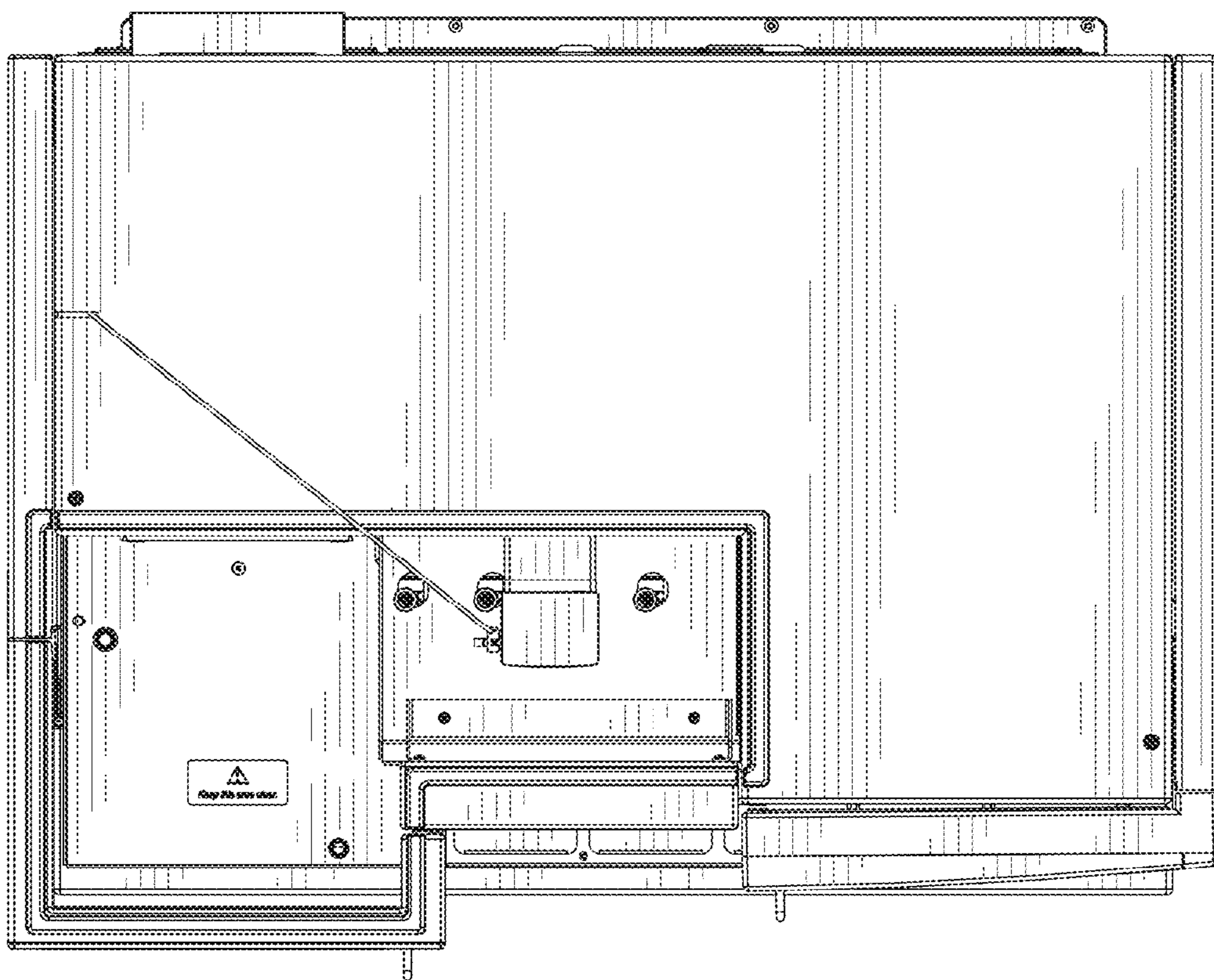


FIG. 7