



US00D724455S

(12) **United States Design Patent**
Plangger et al.

(10) **Patent No.:** **US D724,455 S**
(45) **Date of Patent:** **** Mar. 17, 2015**

(54) **LASER RANGE METER**

(71) Applicant: **Hilti Aktiengesellschaft**, Schaan (LI)

(72) Inventors: **Urban Plangger**, Graun i. V. (IT);
Stefan Tiefenthaler, Meiningen (AT);
Graham Keevy, Aalen (DE); **Christian Siegel**, Aalen (DE); **Christian Scheidel**, Aalen (DE); **Tobias Koeniger**, Bregenz (AT)

(73) Assignee: **Hilti Aktiengesellschaft**, Schaan (LI)

(**) Term: **14 Years**

(21) Appl. No.: **29/479,228**

(22) Filed: **Jan. 14, 2014**

(51) **LOC (10) Cl.** **10-04**

(52) **U.S. Cl.**
USPC **D10/78**

(58) **Field of Classification Search**

CPC G01C 3/08; G01C 3/02; G01C 15/002;
G01C 15/004; G01D 11/29; G01S 7/51;
G01S 7/4813; G01S 7/497; G01S 7/06;
G01S 7/023; G01S 7/08; G01S 7/32; G01S
7/36; G01S 17/06; G01S 17/023; G01S 17/08;
G01S 17/32; G01S 17/36; G01S 7/491;
G01S 7/4911
USPC D10/65, 70, 78; 73/1.79; 356/3.01, 3.1,
356/4.01, 4.1, 5.01, 5.02, 5.09, 5.1, 5.11,
356/5.12, 5.15

See application file for complete search history.

(56) **References Cited**

U.S. PATENT DOCUMENTS

6,324,888 B1 * 12/2001 Schmidt et al. 73/1.79
7,075,626 B2 * 7/2006 Schmidt et al. 356/5.09
D538,188 S * 3/2007 Liu D10/70
D539,680 S * 4/2007 Liu et al. D10/70
D539,690 S * 4/2007 Allin D11/43
7,259,837 B2 * 8/2007 Stierle et al. 356/5.01
D574,276 S * 8/2008 Burkandt D10/70

D576,895 S * 9/2008 Burkandt D10/70
D589,826 S * 4/2009 Kiesel D10/70
D590,281 S * 4/2009 Kiesel D10/70
D594,359 S * 6/2009 Aglassinger D10/70
D594,360 S * 6/2009 Aglassinger D10/70
D607,352 S * 1/2010 Hackenberg D10/70
D607,353 S * 1/2010 Hackenberg D10/70
8,111,382 B2 * 2/2012 Wolf et al. 356/4.01
D670,582 S * 11/2012 Matuschek et al. D10/70
D673,062 S * 12/2012 Marzynski D10/70
D687,726 S * 8/2013 Aglassinger D10/65
D692,329 S * 10/2013 Burkandt et al. D10/70
D692,330 S * 10/2013 Burkandt et al. D10/70
8,681,318 B2 * 3/2014 Skultety-Betz et al. 356/4.01

* cited by examiner

Primary Examiner — Antoine D Davis

(74) *Attorney, Agent, or Firm* — Crowell & Moring LLP

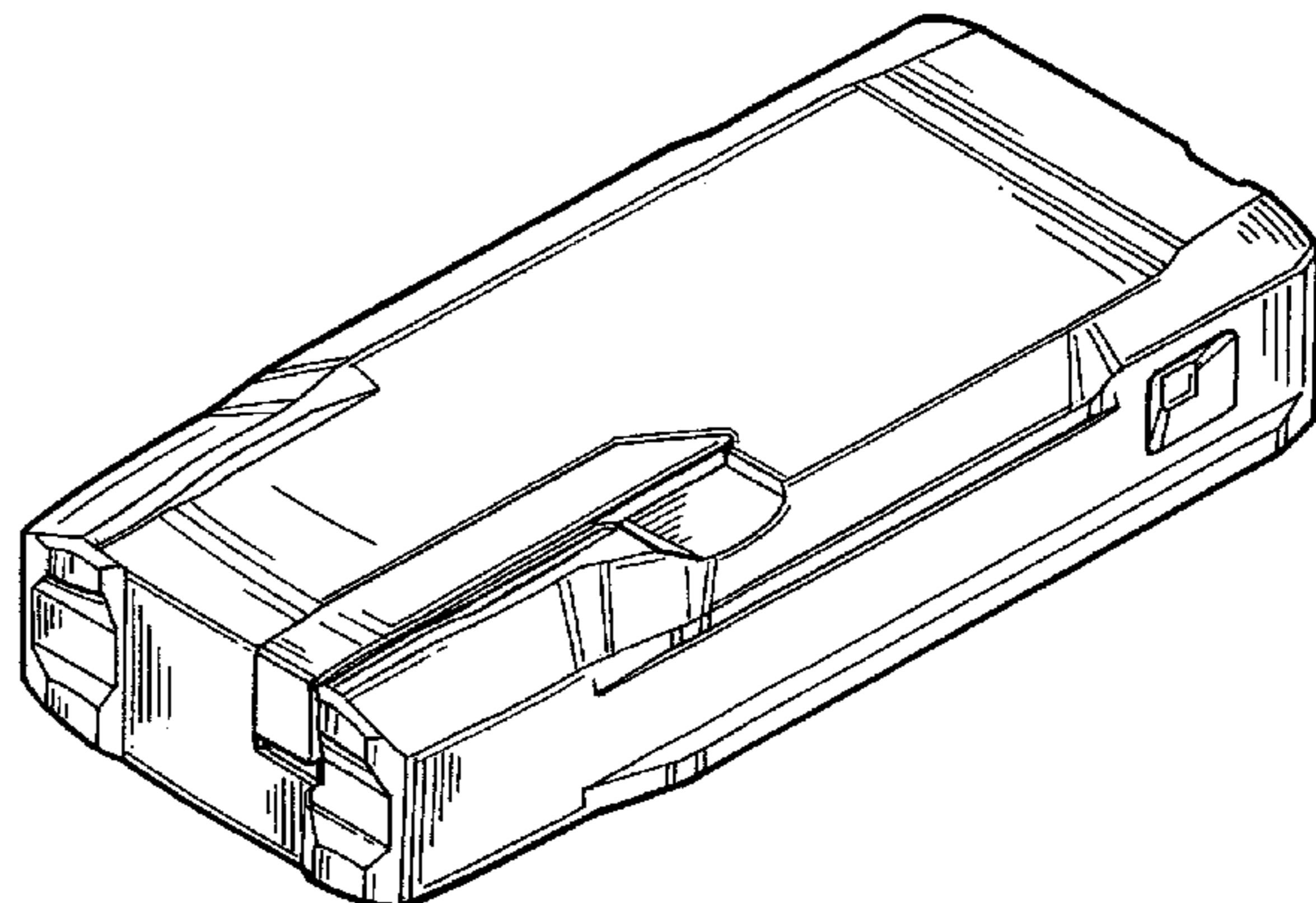
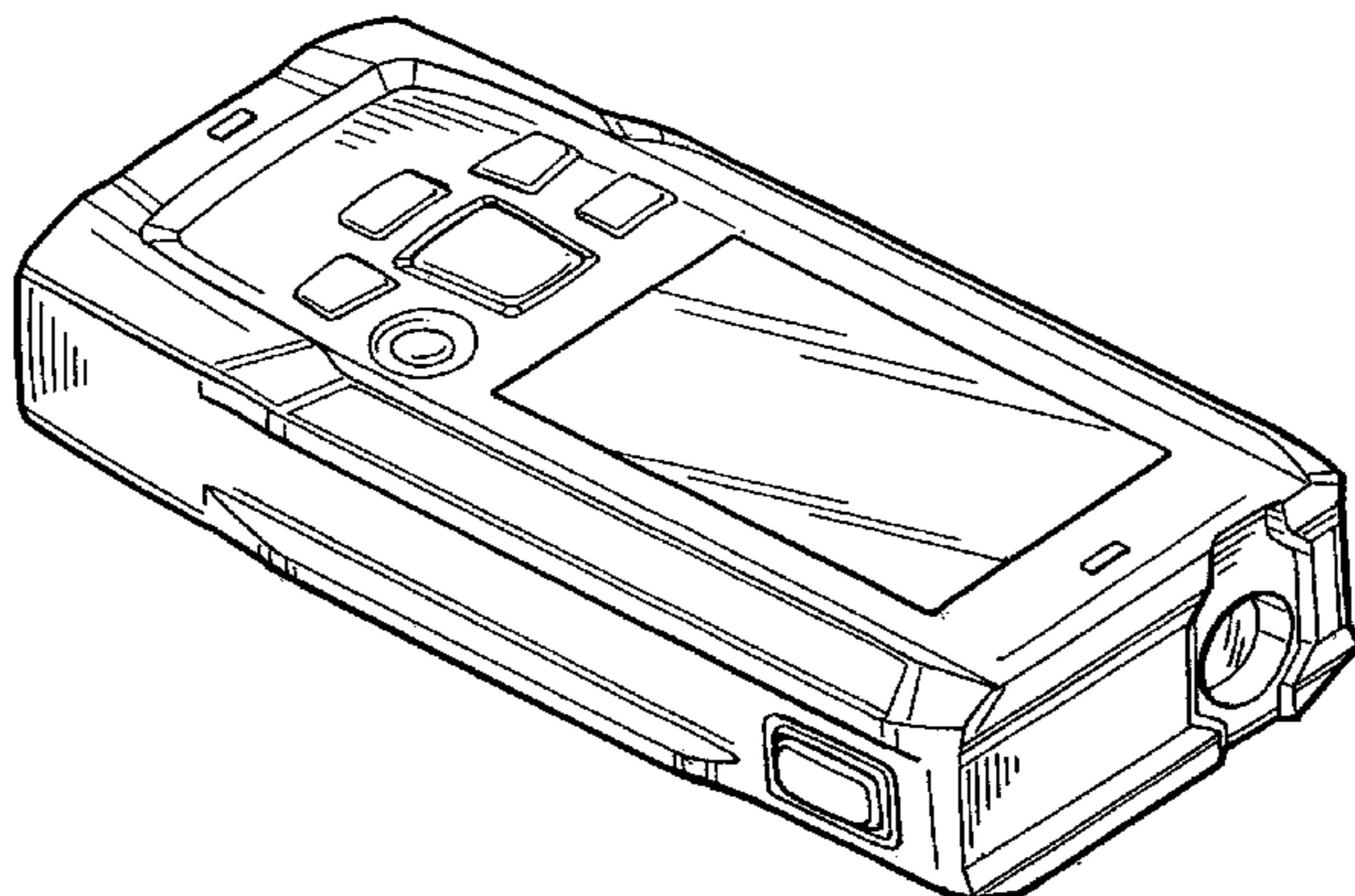
(57) **CLAIM**

The ornamental design for a laser range meter, as shown and described.

DESCRIPTION

FIG. 1 is a top, front, right perspective view of a first embodiment of a laser range meter according to the design; FIG. 2 is bottom, rear, left perspective view thereof; FIG. 3 is a front view thereof; FIG. 4 is a rear view thereof; FIG. 5 is a right side view thereof; FIG. 6 is a left side view thereof; FIG. 7 is a top view thereof; and FIG. 8 is a bottom view thereof. FIG. 9 is a top, front, right perspective view of a second embodiment of the laser range meter according to the design; FIG. 10 is bottom, rear, left perspective view thereof; FIG. 11 is a front view thereof; FIG. 12 is a rear view thereof; FIG. 13 is a right side view thereof; FIG. 14 is a left side view thereof; FIG. 15 is a top view thereof; and, FIG. 16 is a bottom view thereof.

1 Claim, 6 Drawing Sheets



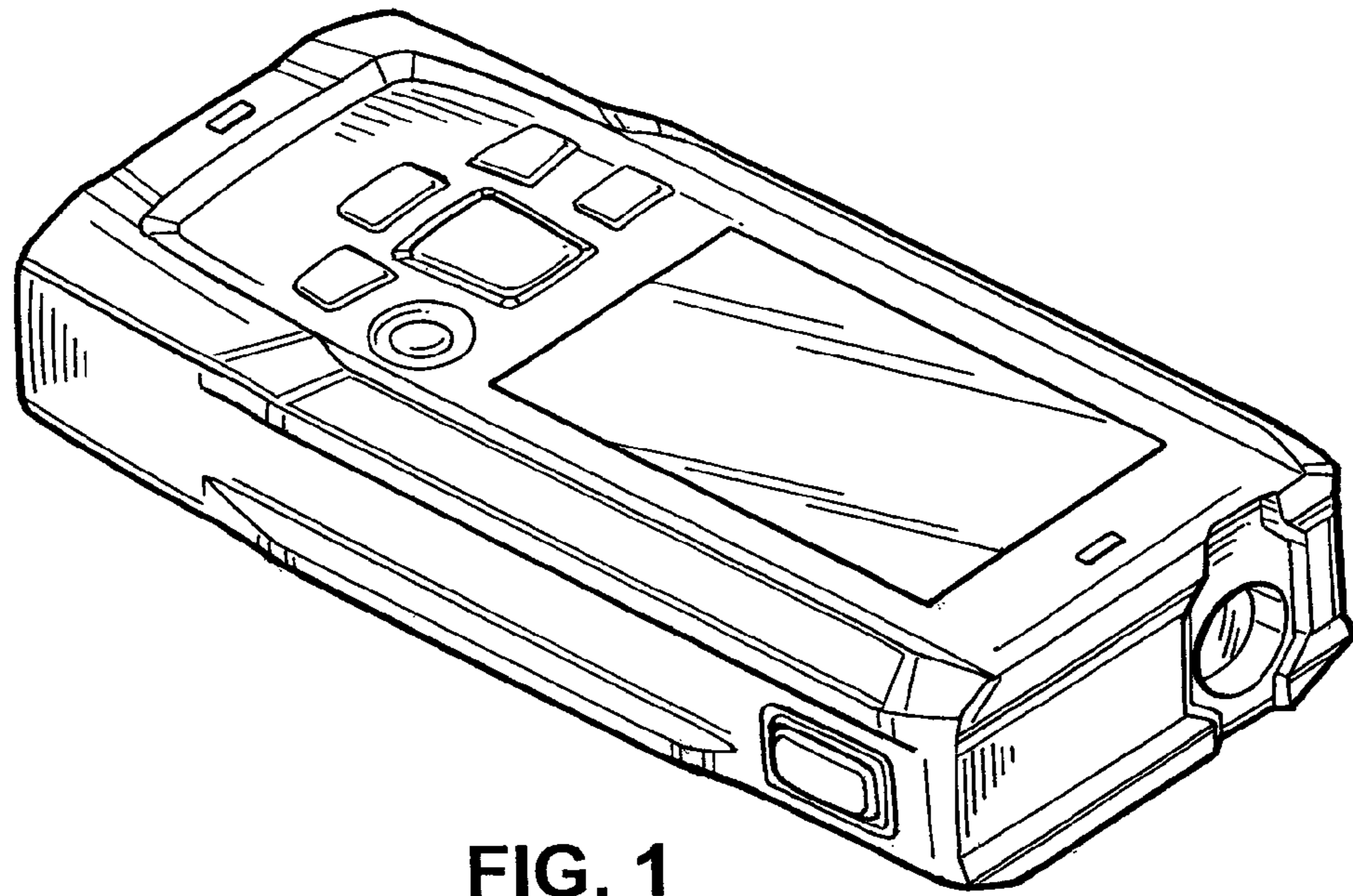


FIG. 1

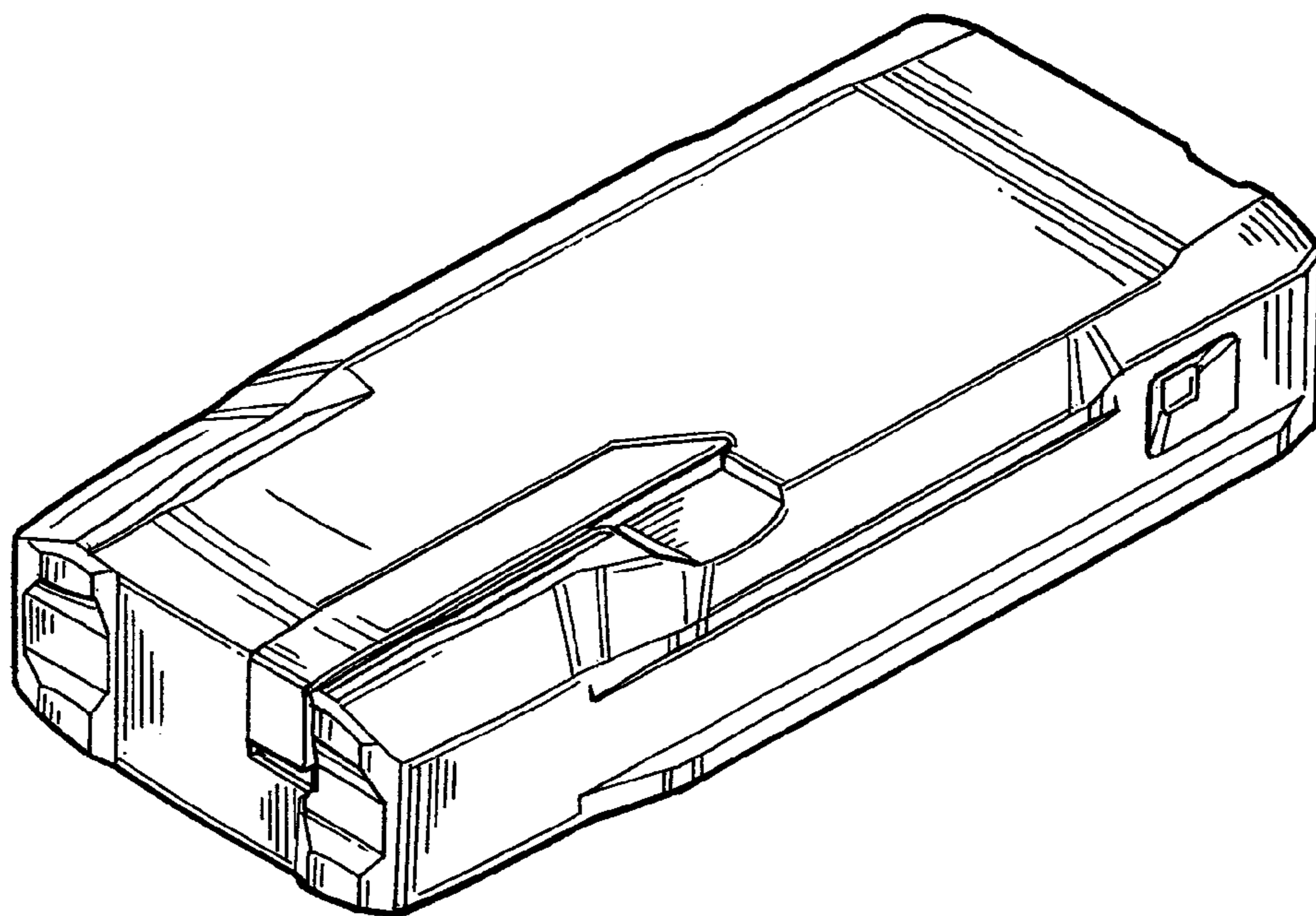


FIG. 2

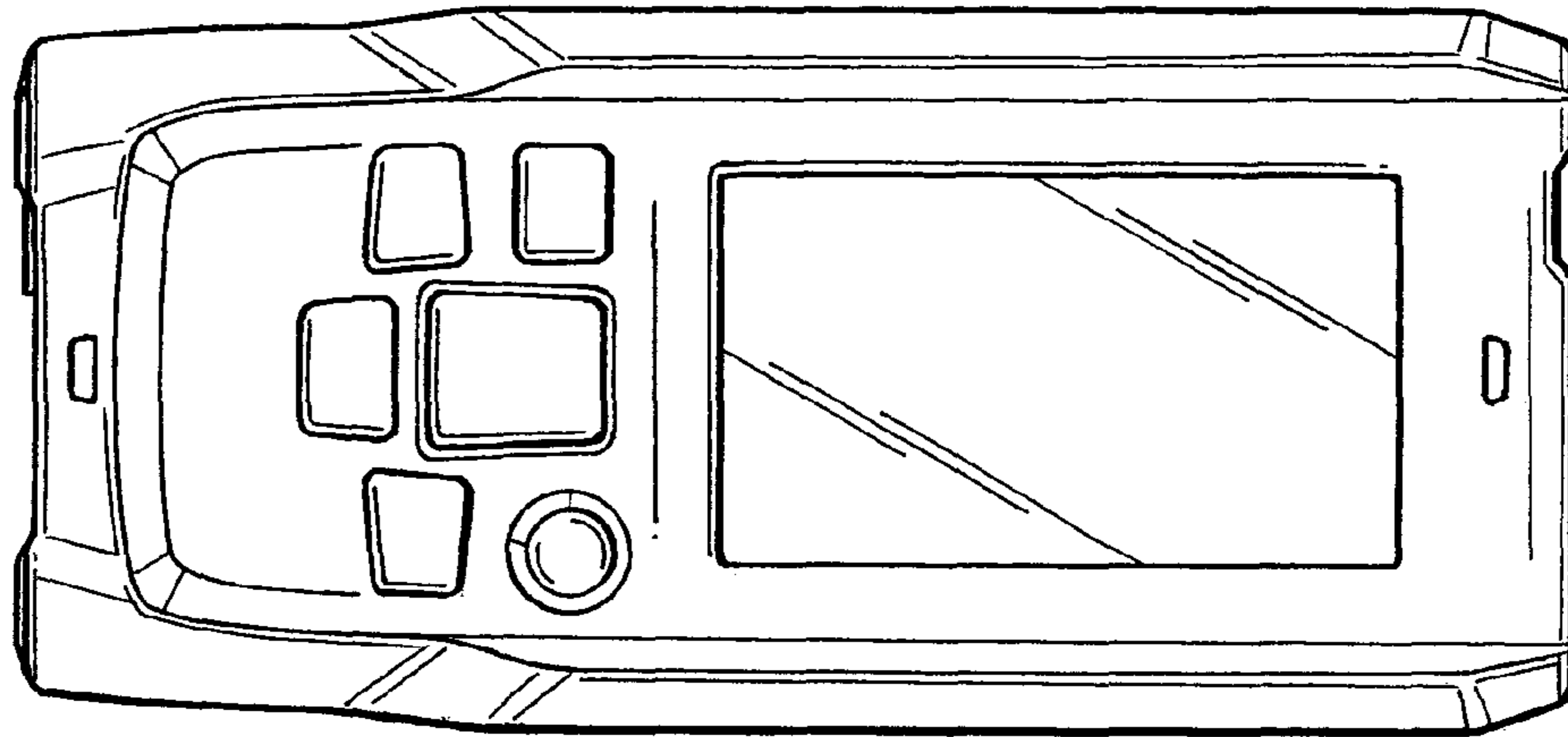


FIG. 3

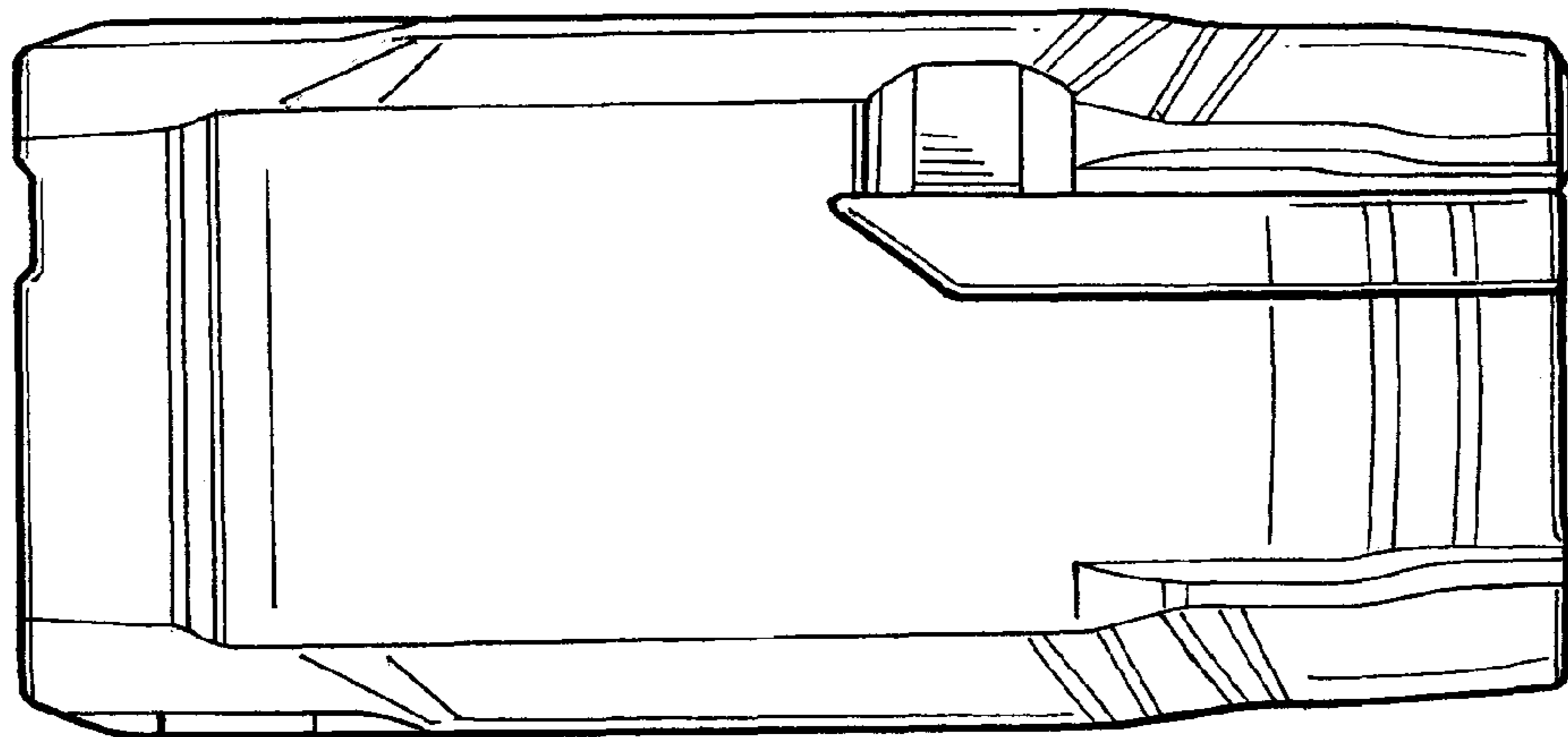


FIG. 4

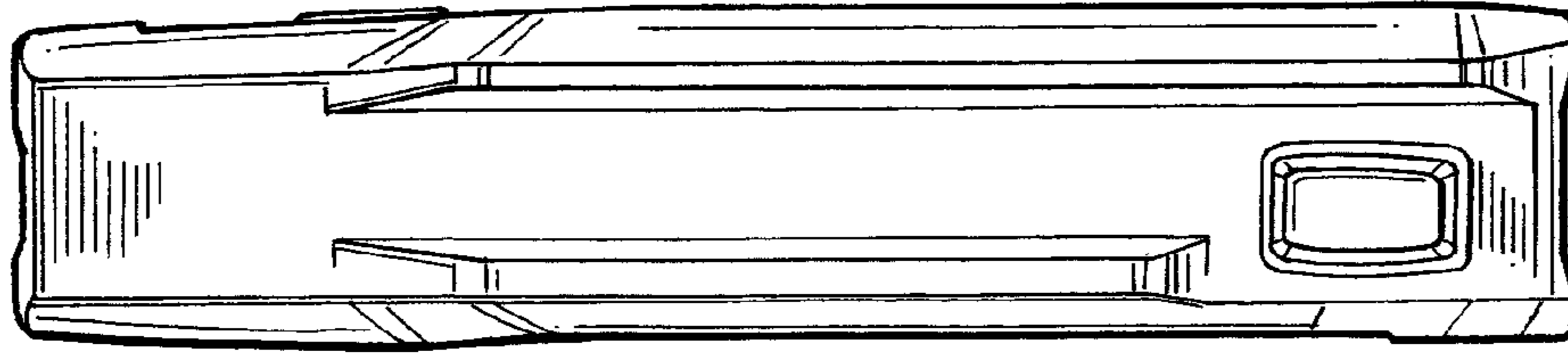


FIG. 5

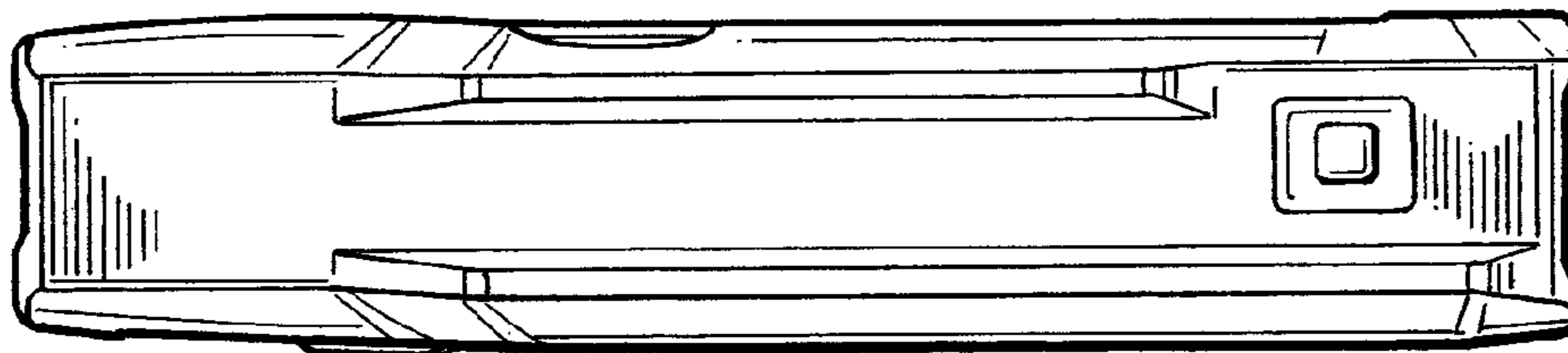


FIG. 6

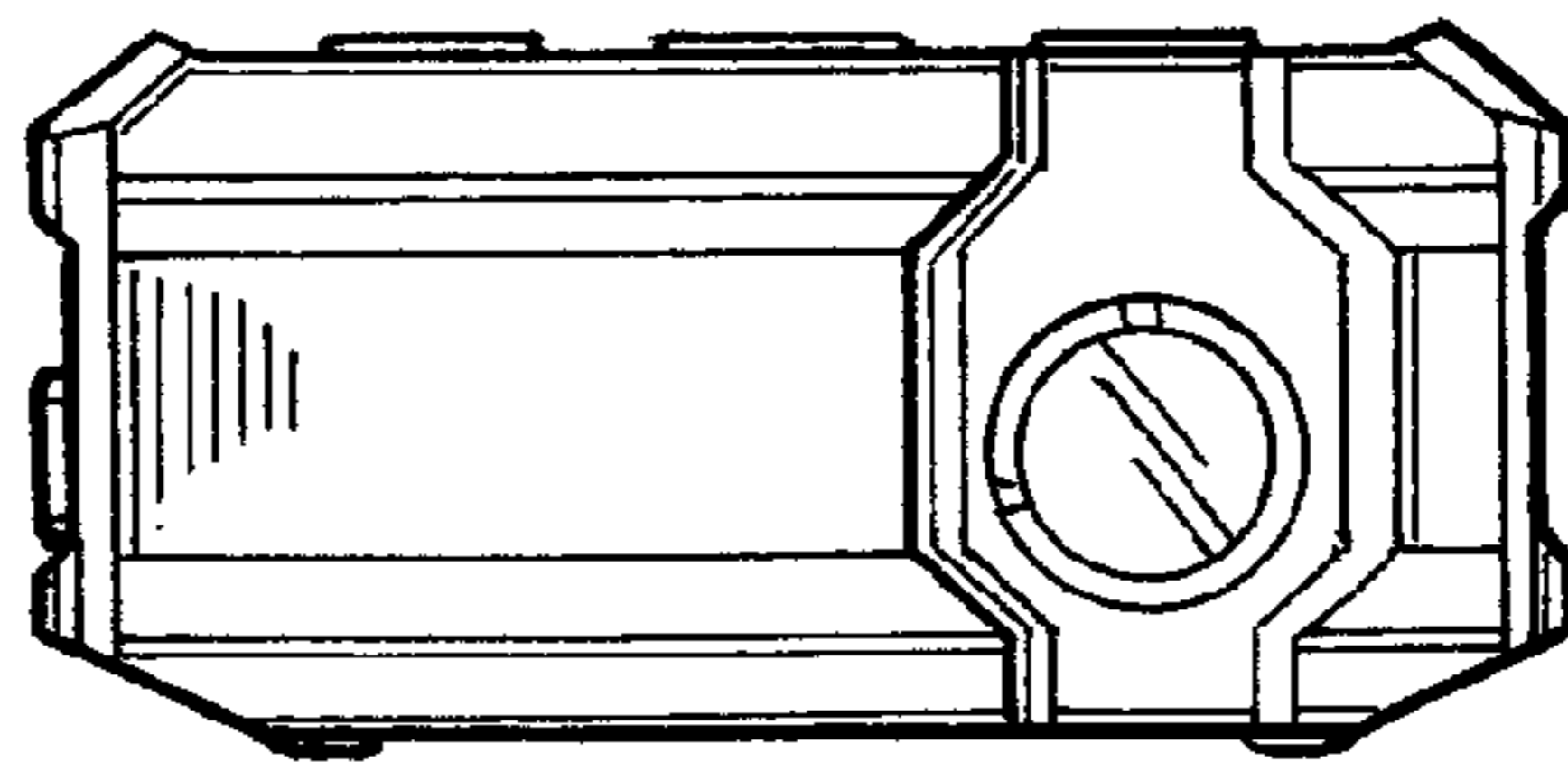


FIG. 7

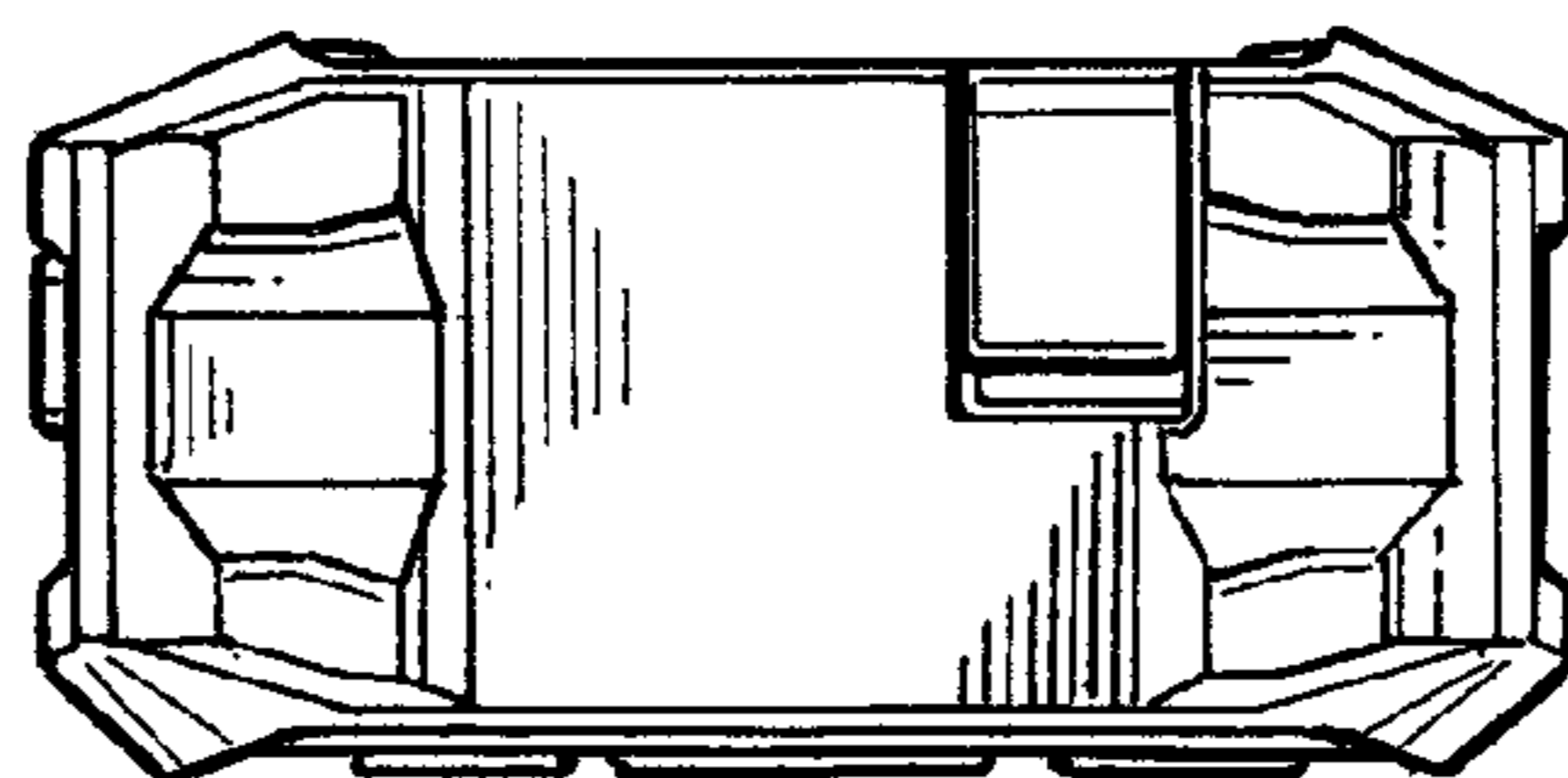


FIG. 8

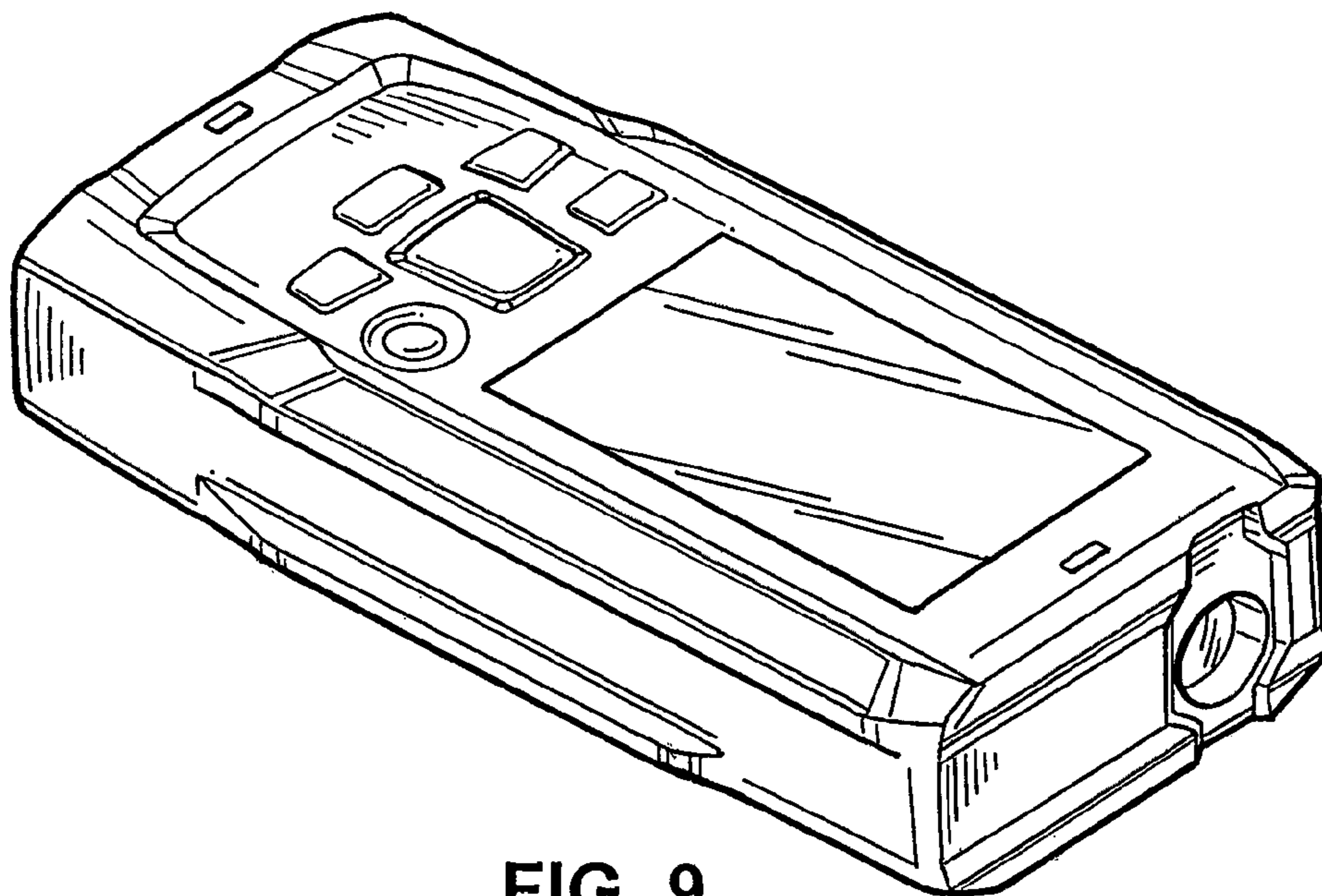


FIG. 9

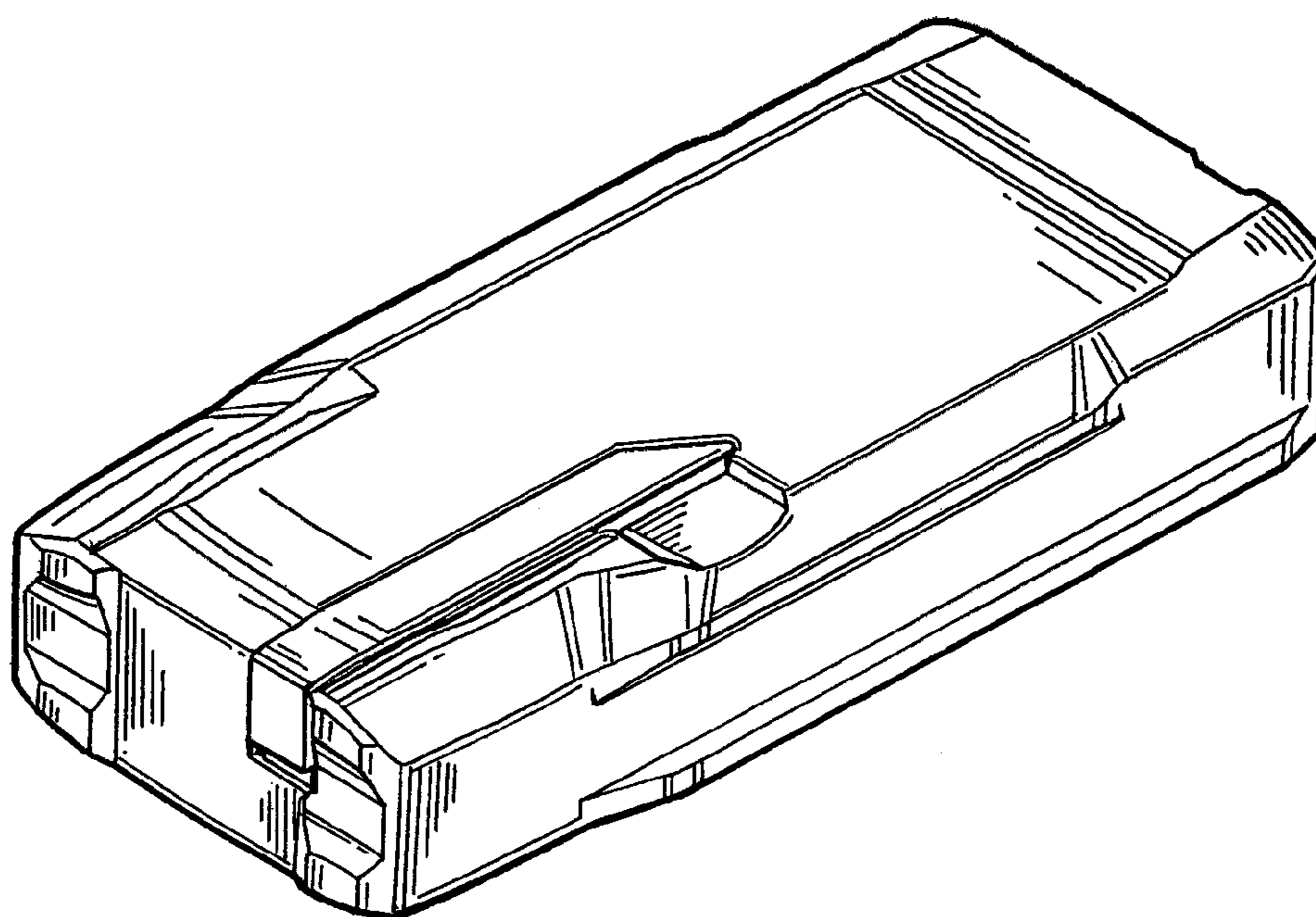


FIG. 10

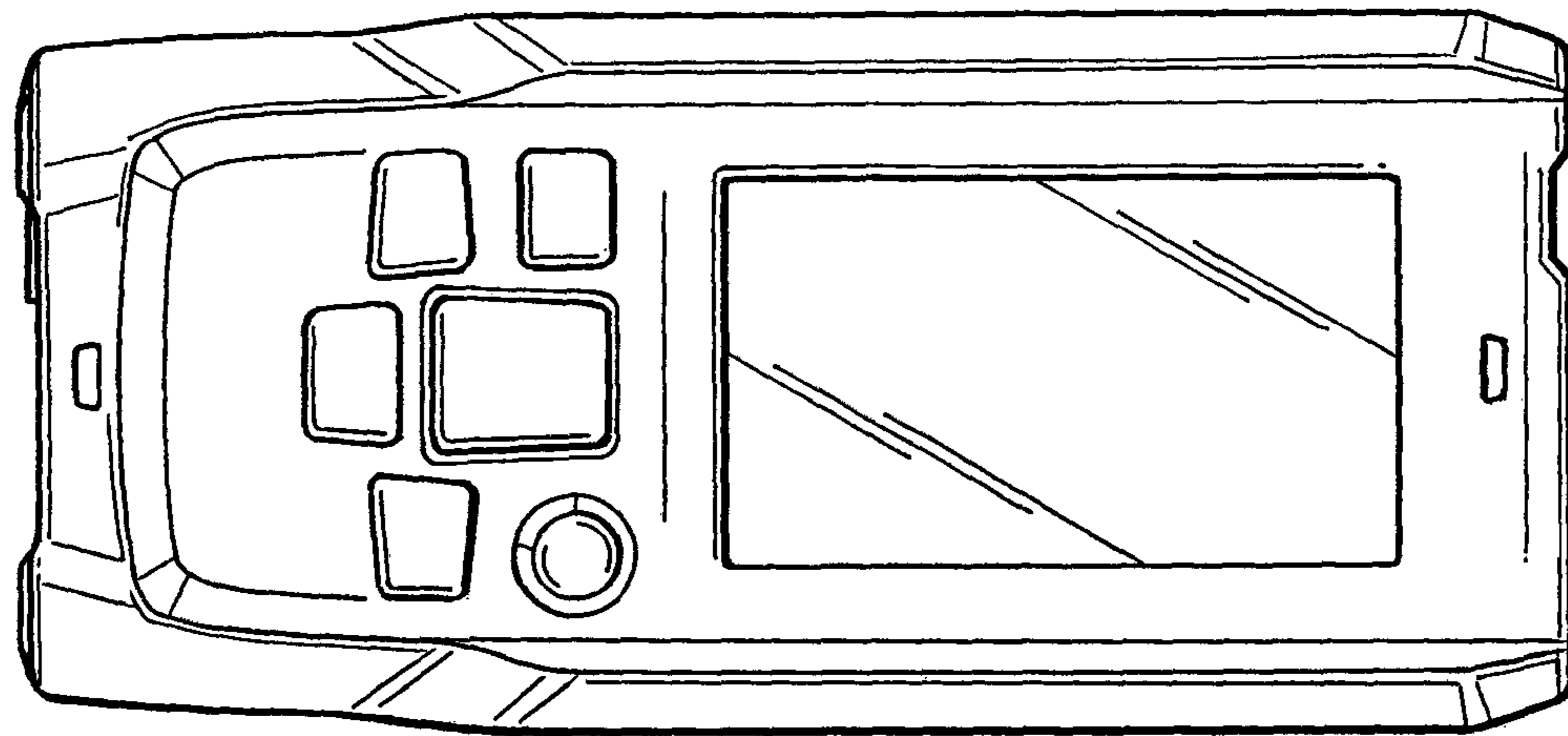


FIG. 11

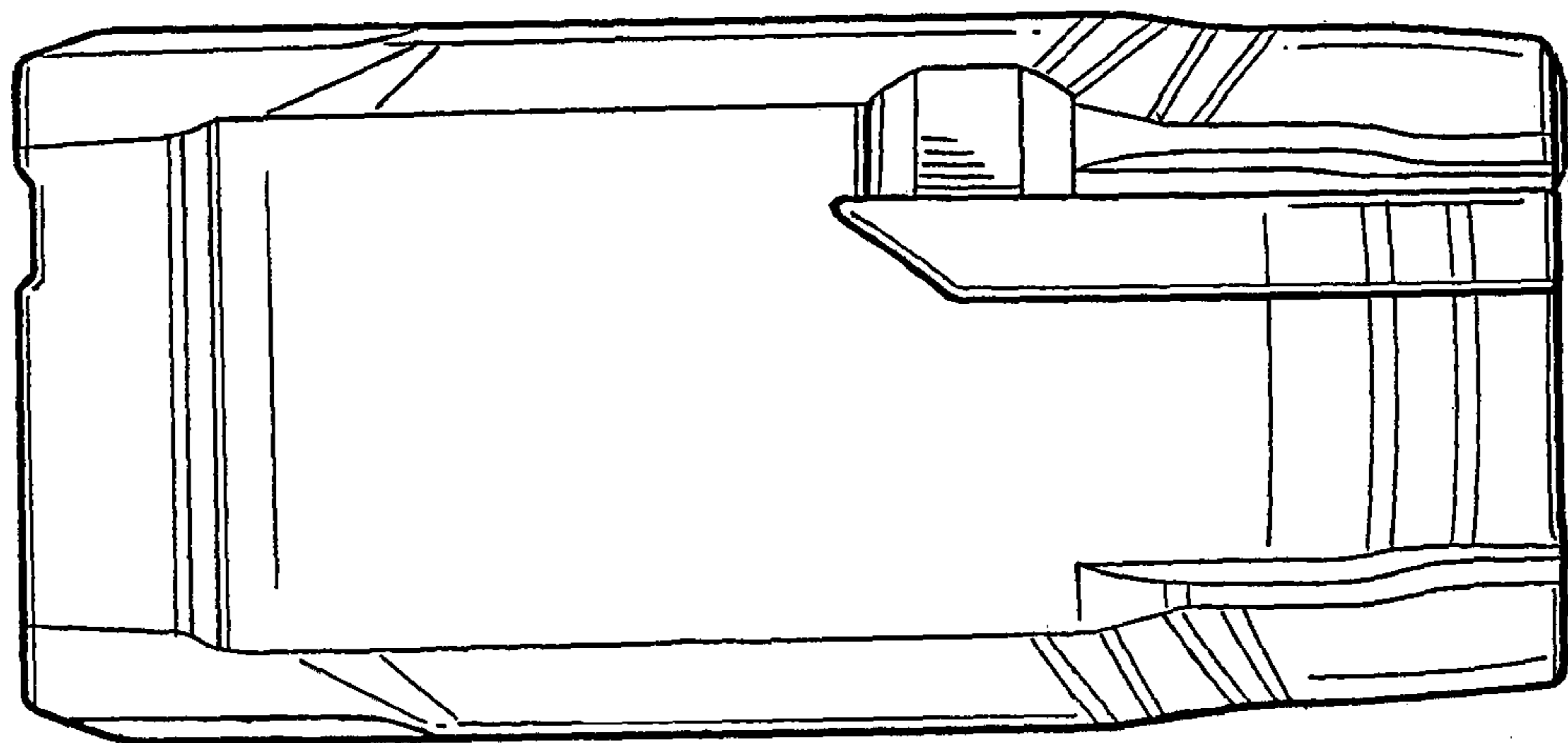


FIG. 12

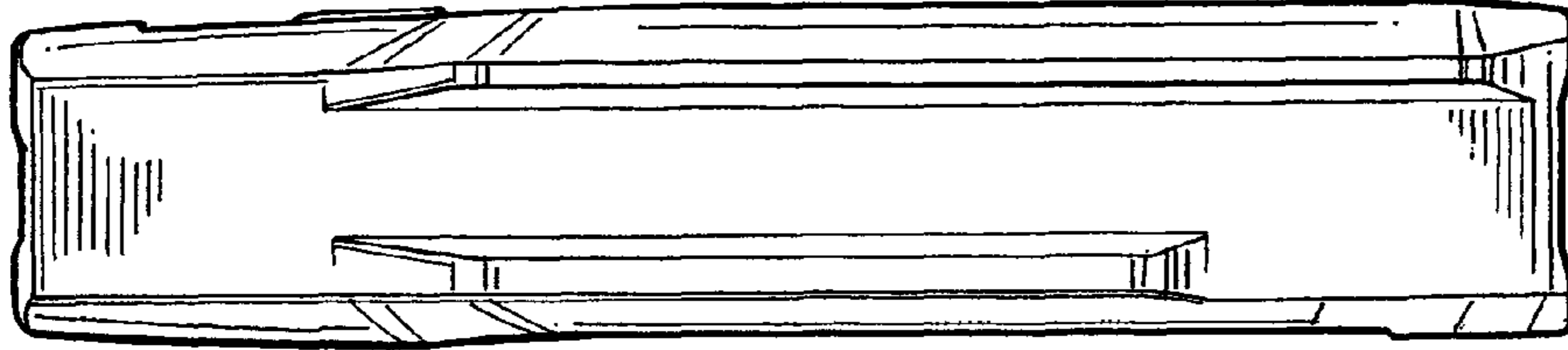


FIG. 13

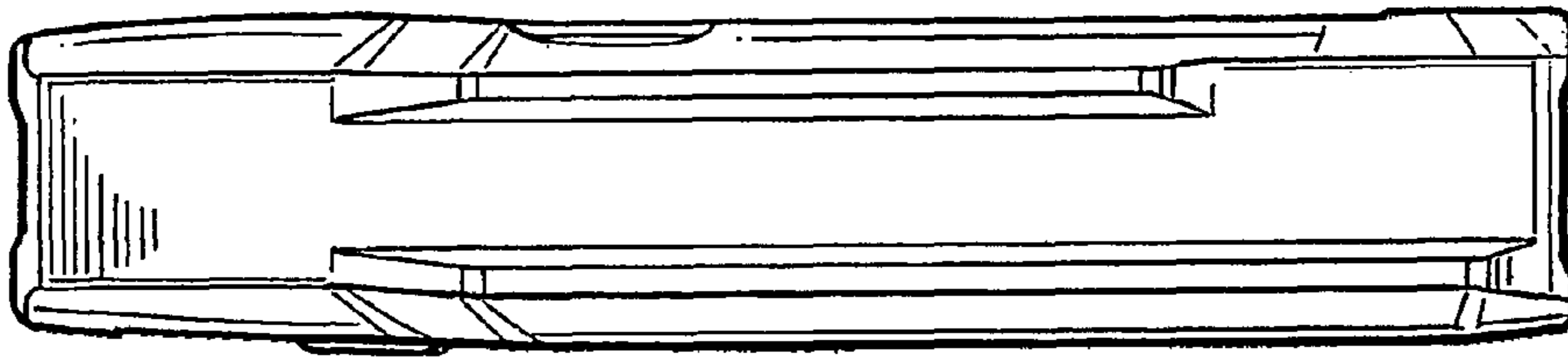


FIG. 14

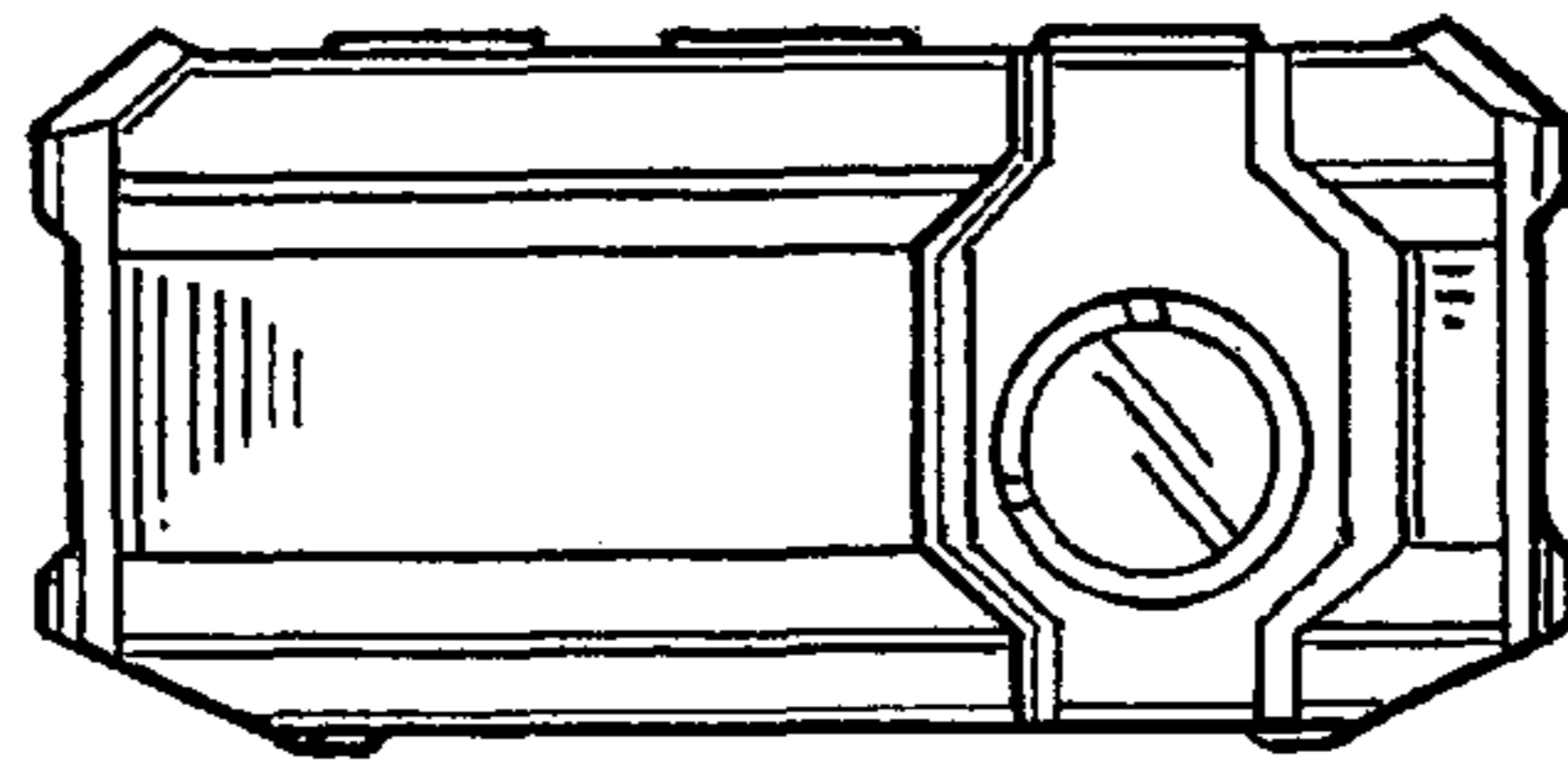


FIG. 15

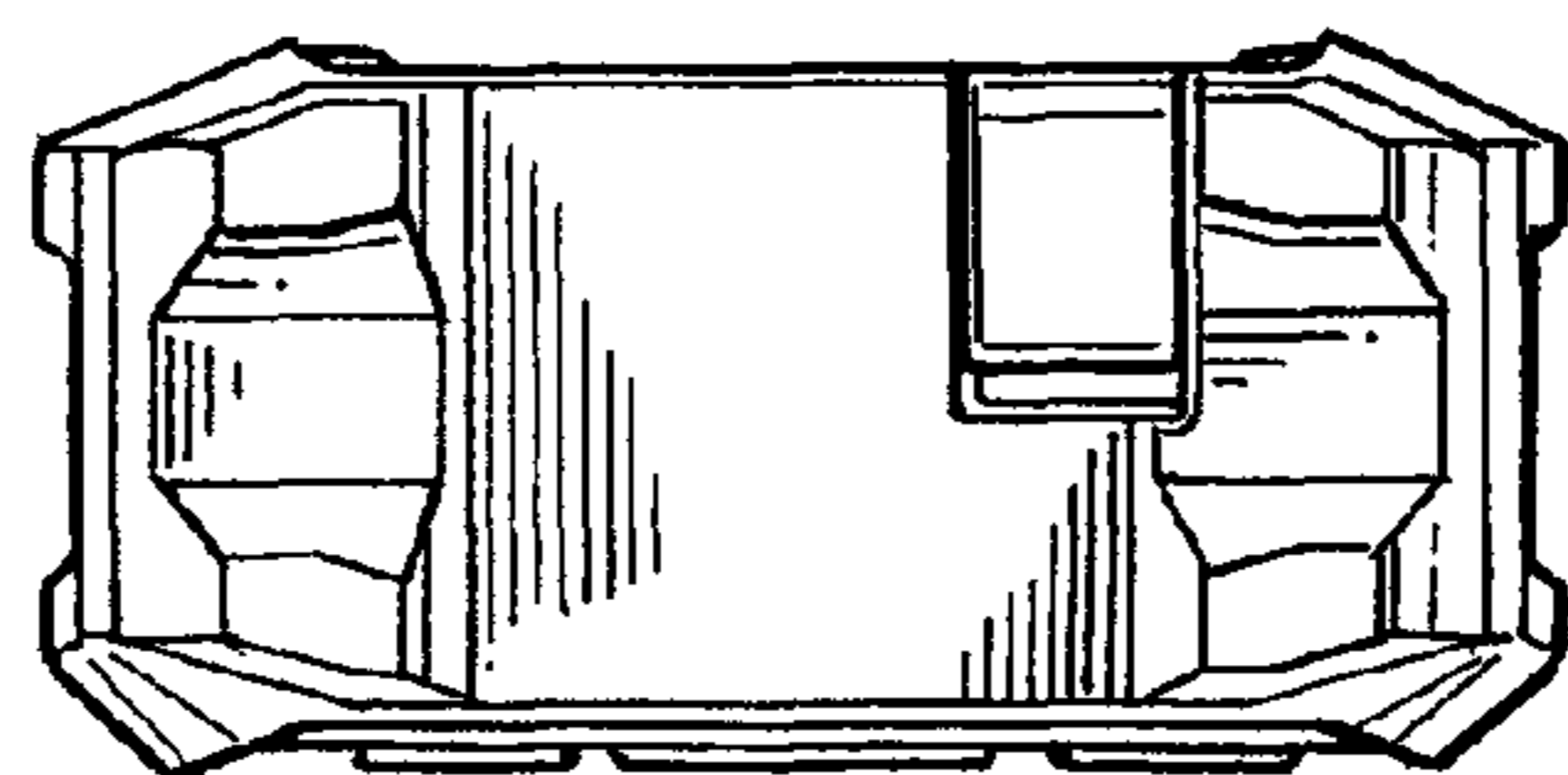


FIG. 16