



US00D724453S

(12) **United States Design Patent**  
**Ogihara et al.**

(10) **Patent No.:** **US D724,453 S**  
(45) **Date of Patent:** **\*\* Mar. 17, 2015**

(54) **ACTIVITY MONITOR WITH SLEEP STATE MEASURING FUNCTION**

(71) Applicant: **Omron Healthcare Co., Ltd.**, Kyoto (JP)

(72) Inventors: **Tsuyoshi Ogihara**, Kyoto (JP); **Shusuke Eshita**, Kyoto (JP)

(73) Assignee: **Omron Healthcare Co., Ltd.**, Kyoto (JP)

(\*\*) Term: **14 Years**

(21) Appl. No.: **29/492,638**

(22) Filed: **Jun. 2, 2014**

(30) **Foreign Application Priority Data**

Dec. 4, 2013 (JP) ..... 2013-028428

(51) **LOC (10) Cl.** ..... **10-04**

(52) **U.S. Cl.**  
USPC ..... **D10/70; D10/78**

(58) **Field of Classification Search**  
CPC ..... G08G 1/096883; G08G 1/096872;  
G08G 1/096775; G01C 21/16; G01C 21/3688;  
G01C 21/30; G01V 8/20; G01J 5/02; G01J 5/023;  
G01J 5/24; G01J 5/10; G01J 5/20;  
G01J 5/0235; G01J 5/08; G01J 5/0853;  
G01J 5/33; G01J 5/34  
USPC ..... D10/70, 78  
See application file for complete search history.

(56) **References Cited**

**U.S. PATENT DOCUMENTS**

D299,718 S \* 2/1989 Steer et al. .... D14/247  
D305,422 S \* 1/1990 Steer et al. .... D14/247  
D331,020 S \* 11/1992 Ishii et al. .... D10/31

D455,093 S \* 4/2002 Fitzgerald ..... D10/98  
D528,439 S \* 9/2006 Burton ..... D10/32  
D528,928 S \* 9/2006 Burton ..... D10/38  
D536,265 S \* 2/2007 Reynoso ..... D10/31  
D538,687 S \* 3/2007 Komulainen ..... D10/70  
D549,602 S \* 8/2007 Oberrieder et al. .... D10/65  
D550,105 S \* 9/2007 Oberrieder et al. .... D10/65  
D560,520 S \* 1/2008 Oberrieder et al. .... D10/65  
D569,282 S \* 5/2008 Daniel ..... D10/65  
D573,905 S \* 7/2008 Poirier ..... D10/65

(Continued)

**OTHER PUBLICATIONS**

Bodyfit Motion Activity Tracker/Sleep Monitor disclosed on Sports Authority, Inc. website at <http://www.sportsauthority.com/BODYFIT-Motion-Activity-Tracker-Sleep-Monitor/product.jsp>.

(Continued)

*Primary Examiner* — Antoine D Davis

(74) *Attorney, Agent, or Firm* — Capitol City TechLaw

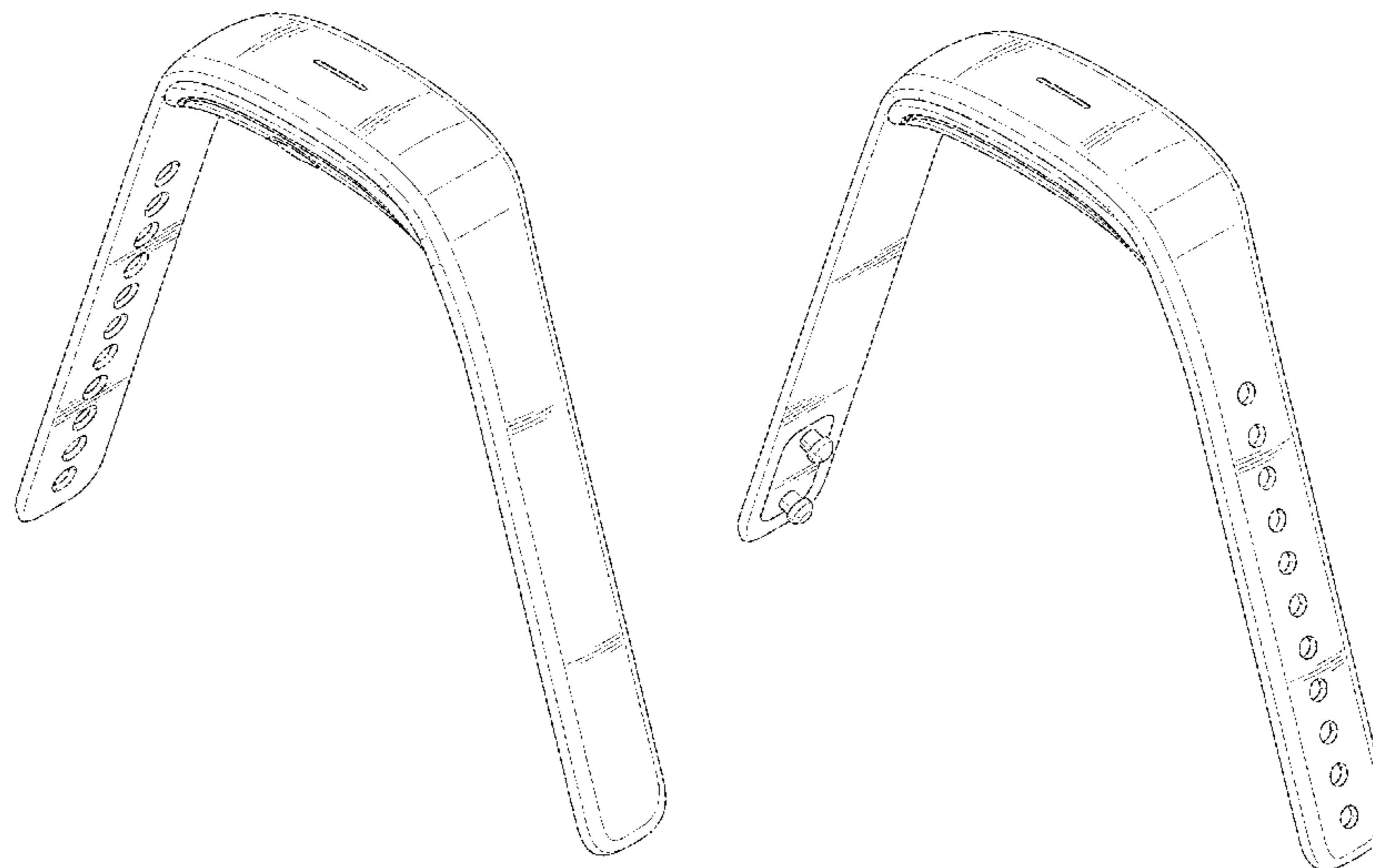
(57) **CLAIM**

The ornamental design for an activity monitor with sleep state measuring function, as shown.

**DESCRIPTION**

FIG. 1 is a front, top, and right side perspective view of an activity monitor with sleep state measuring function showing our new design;  
FIG. 2 is a rear, top, and left side perspective view thereof;  
FIG. 3 is a front and bottom perspective view thereof;  
FIG. 4 is a front view thereof;  
FIG. 5 is a rear view thereof;  
FIG. 6 is a top view thereof;  
FIG. 7 is a bottom view thereof;  
FIG. 8 is a right side view thereof; and,  
FIG. 9 is a left side view thereof.

**1 Claim, 9 Drawing Sheets**



(56)

**References Cited**

**OTHER PUBLICATIONS**

U.S. PATENT DOCUMENTS

D610,476 S \* 2/2010 Daniel ..... D10/65  
D645,360 S \* 9/2011 Kiser et al. .... D10/32  
D670,583 S \* 11/2012 Shaanan ..... D10/70  
D672,667 S \* 12/2012 Mix ..... D10/65  
D718,647 S \* 12/2014 Roush et al. .... D10/98

Moveband disclosed on docomo Healthcare, Inc. website at <http://www.d-healthcare.co.jp/products/moveband/>.

\* cited by examiner

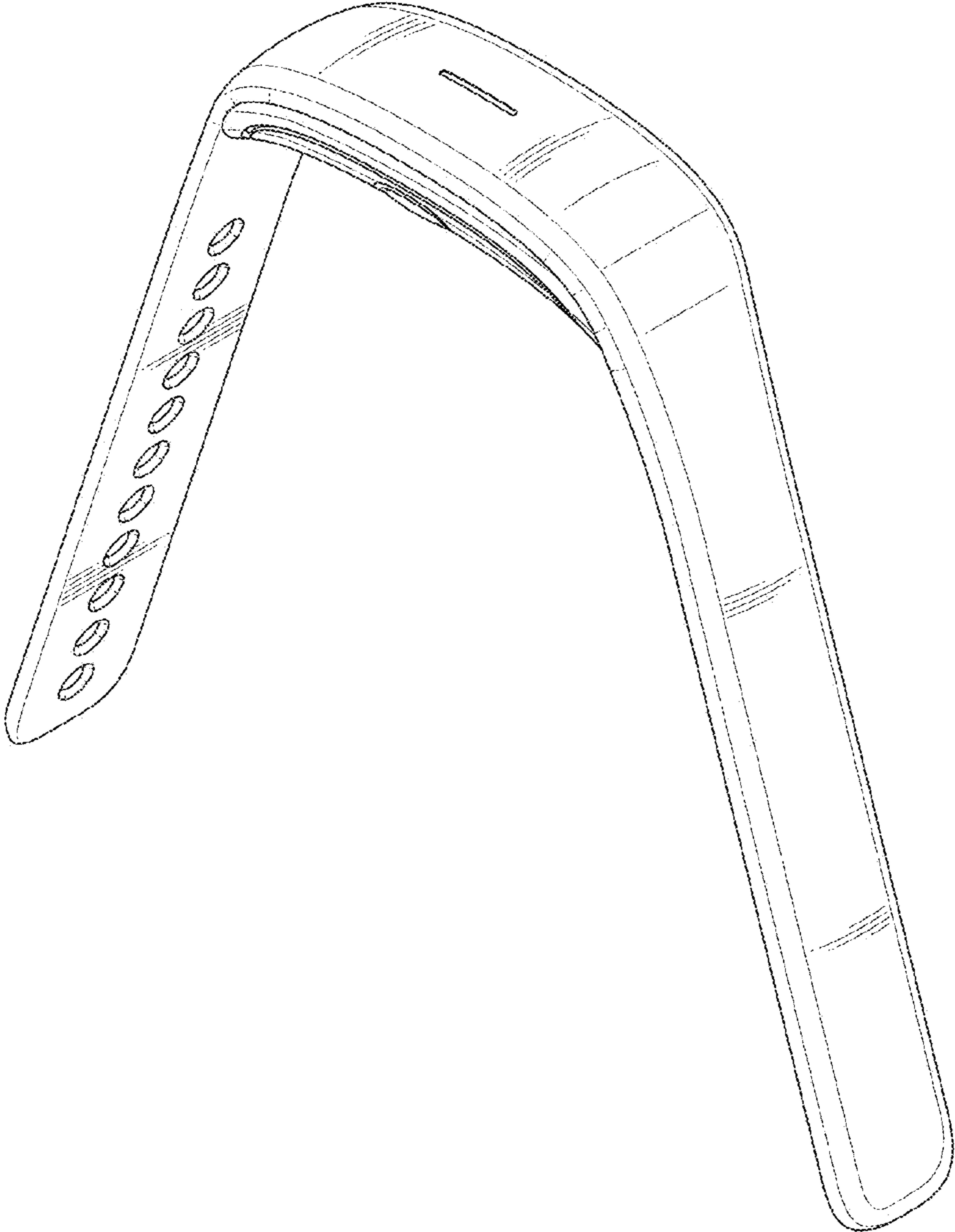


FIG.1

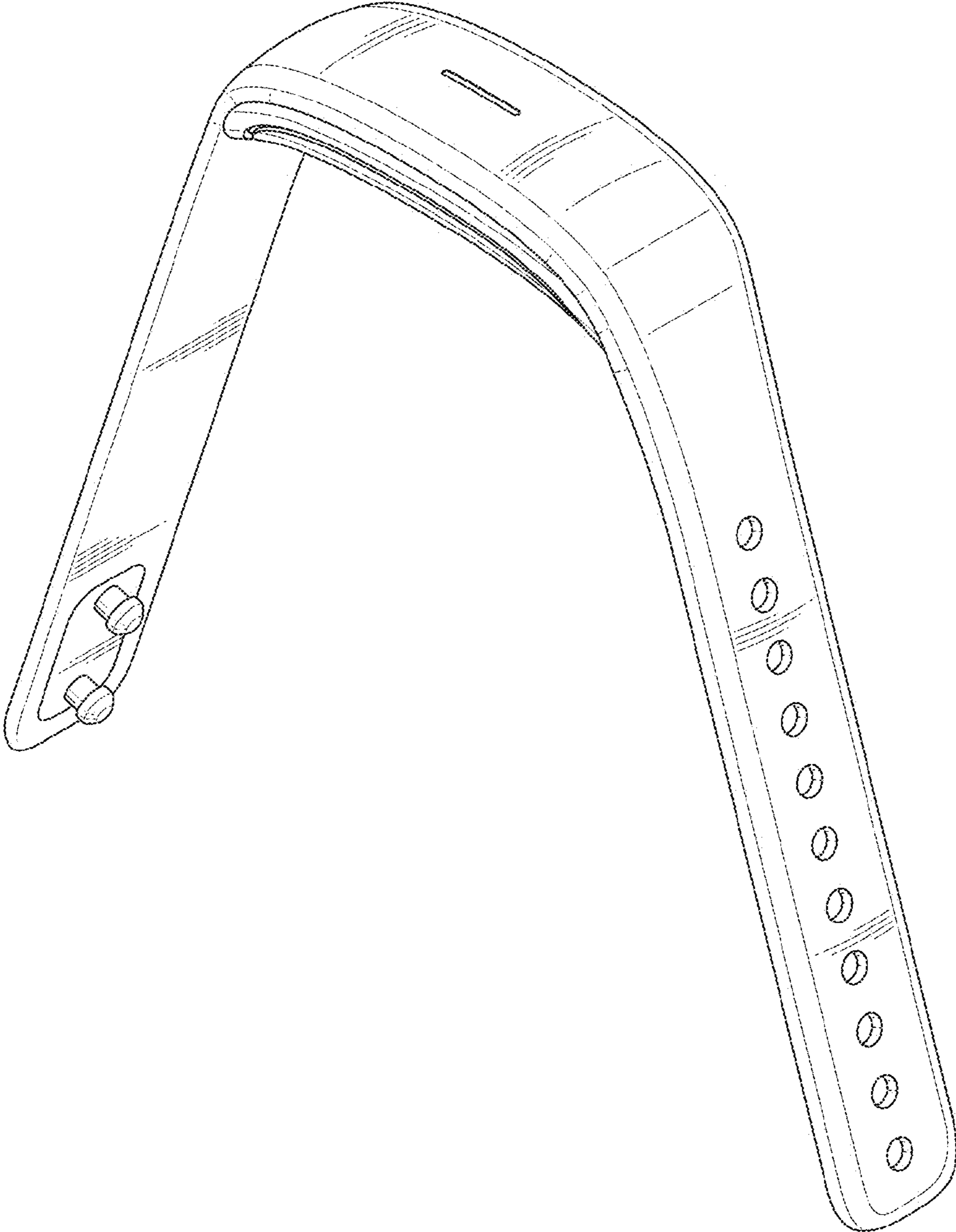


FIG.2

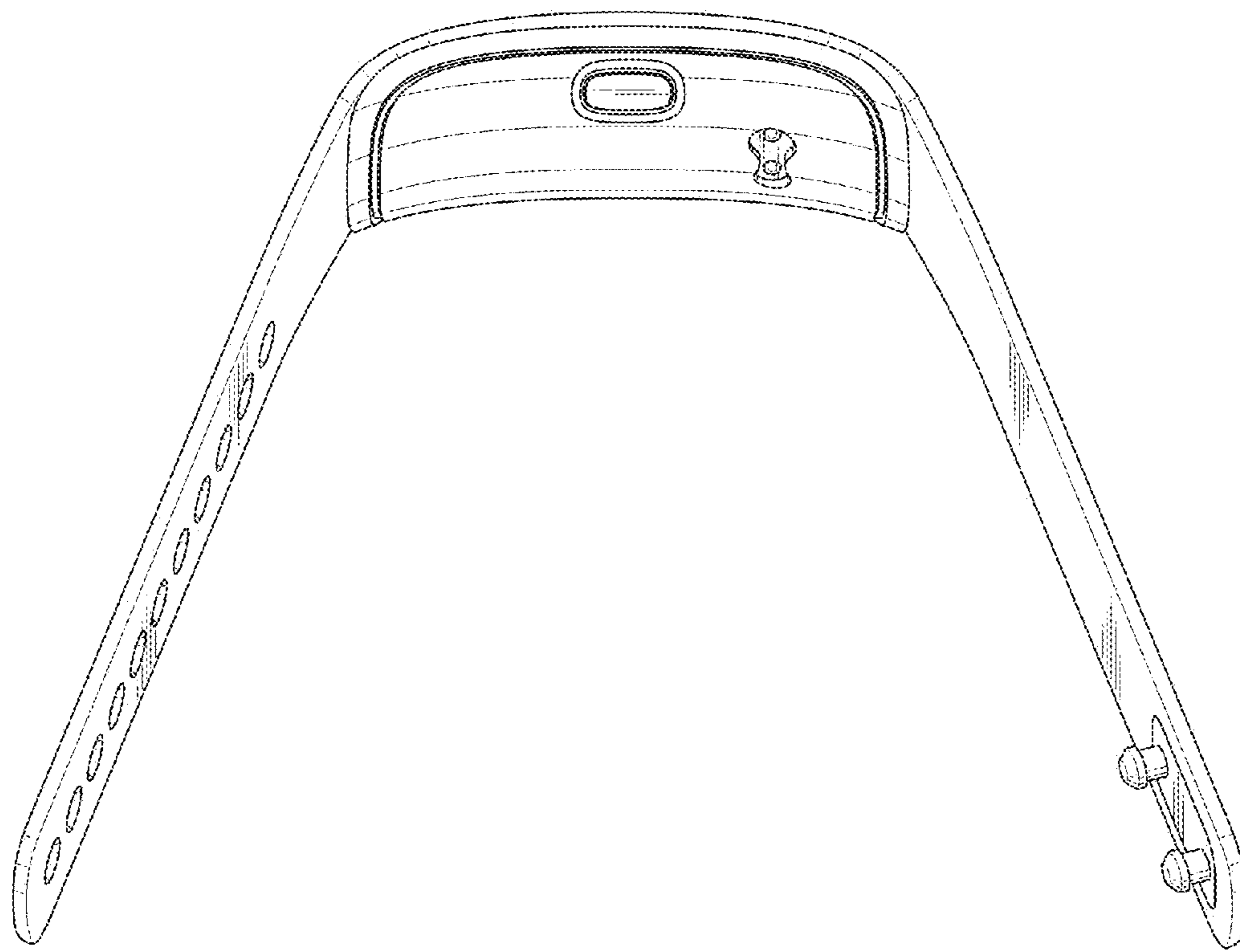


FIG.3

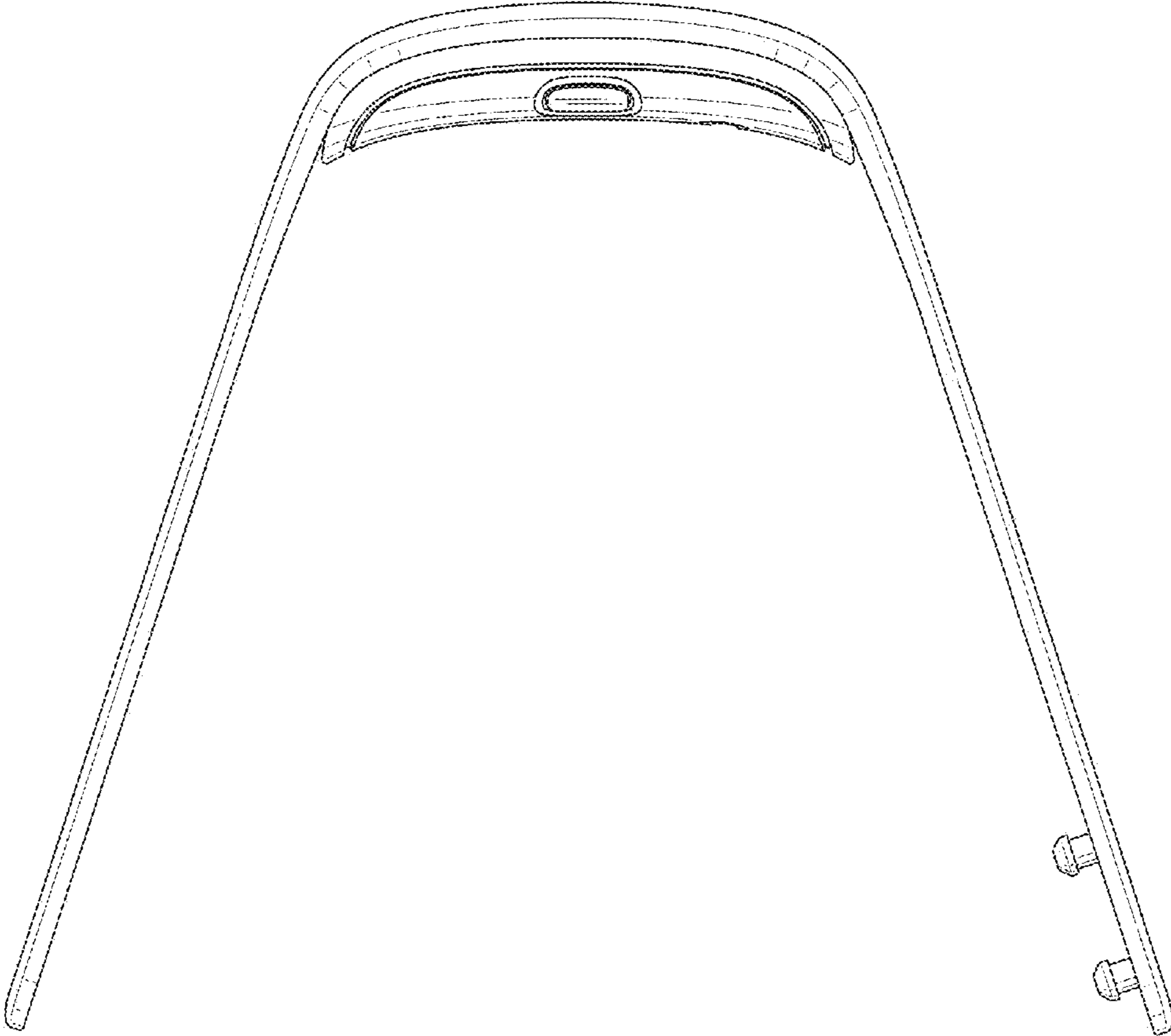


FIG.4



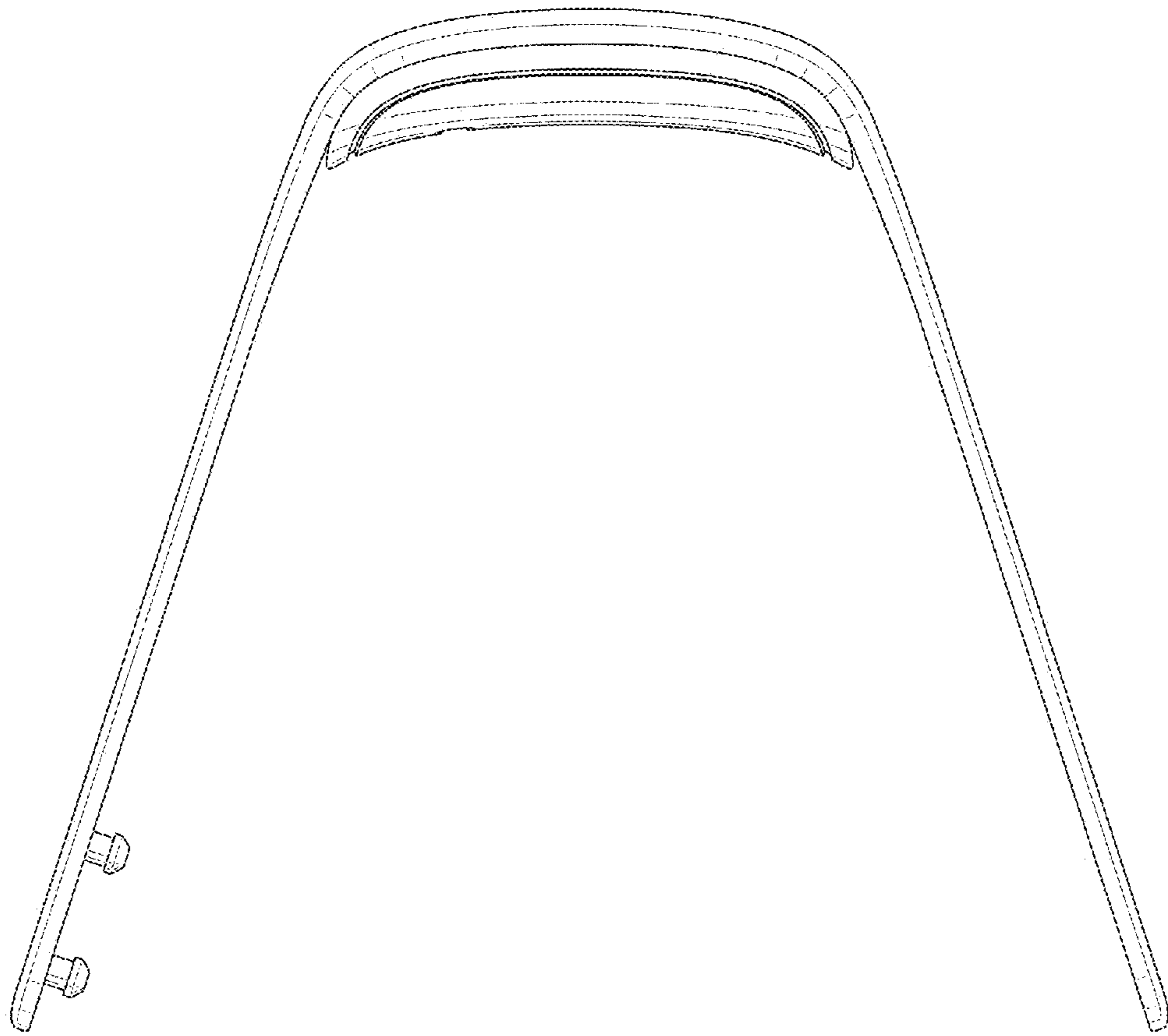


FIG.5

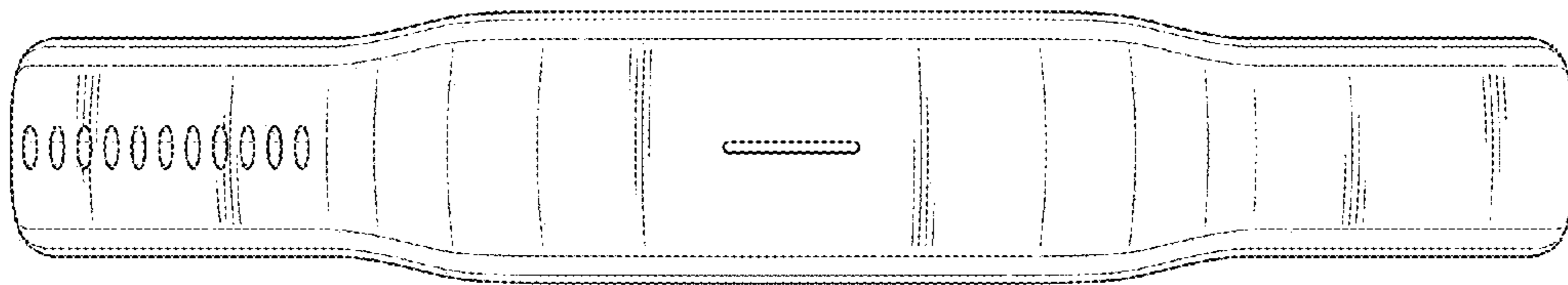


FIG.6



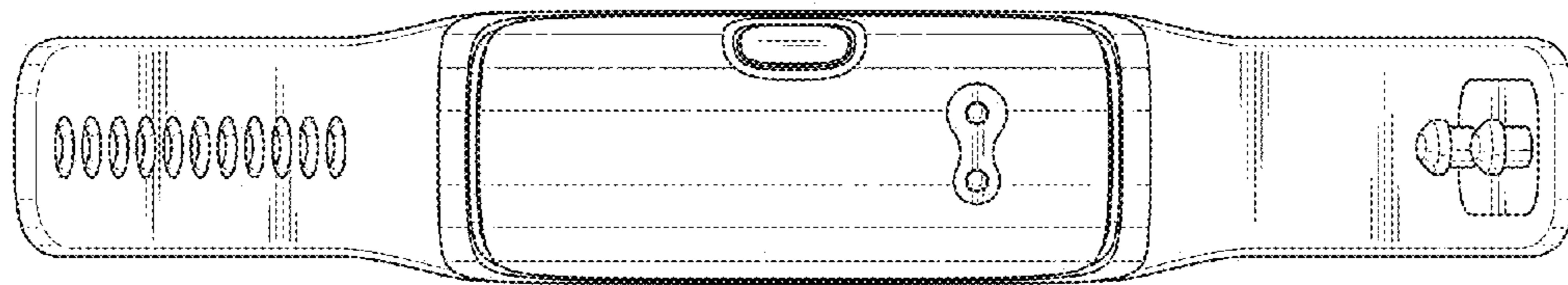


FIG. 7

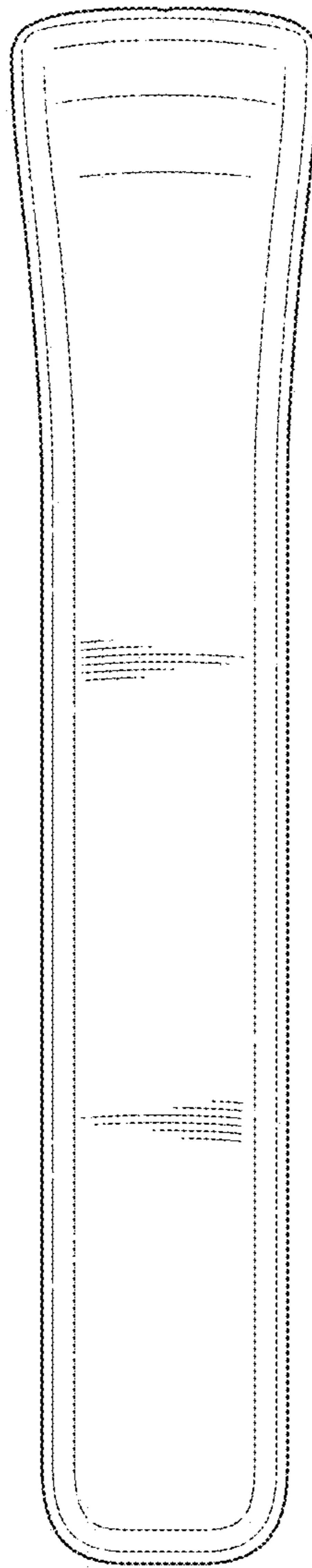


FIG.8

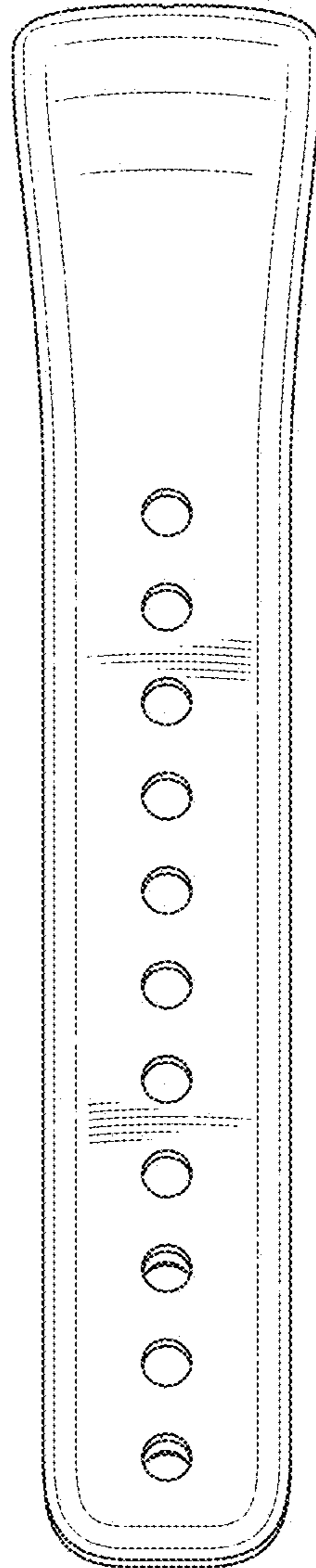


FIG.9