



US00D724449S

(12) **United States Design Patent**
Chang

(10) **Patent No.:** **US D724,449 S**
(45) **Date of Patent:** **** Mar. 17, 2015**

(54) **MULTI-FUNCTIONAL INFRARED THERMOMETER**

(71) Applicant: **APPA Technology Corp.**, New Taipei (TW)

(72) Inventor: **Sam Chang**, New Taipei (TW)

(73) Assignee: **APPA Technology Corp.**, New Taipei (TW)

(**) Term: **14 Years**

(21) Appl. No.: **29/471,992**

(22) Filed: **Nov. 7, 2013**

(51) **LOC (10) Cl.** **10-04**

(52) **U.S. Cl.**
USPC **D10/57**

(58) **Field of Classification Search**

CPC G01J 5/061; G01J 5/0843; G01J 5/0846;
G01J 5/0859; G01J 5/089; G01J 5/0896;
G01J 5/048; G01J 5/16; G01J 5/522; G01J
5/0205; G01J 5/0887; G01J 5/0003; G01J
5/0275; G01J 5/084; G01J 5/0834; G01J 5/12;
G01J 5/14
USPC D10/57; 374/1-209, E1.011-E1.017;
600/474, 549

See application file for complete search history.

(56) **References Cited**

U.S. PATENT DOCUMENTS

D700,078 S * 2/2014 Wurts et al. D10/57

* cited by examiner

Primary Examiner — Antoine D Davis

(74) *Attorney, Agent, or Firm* — Muncy, Geissler, Olds & Lowe, P.C.

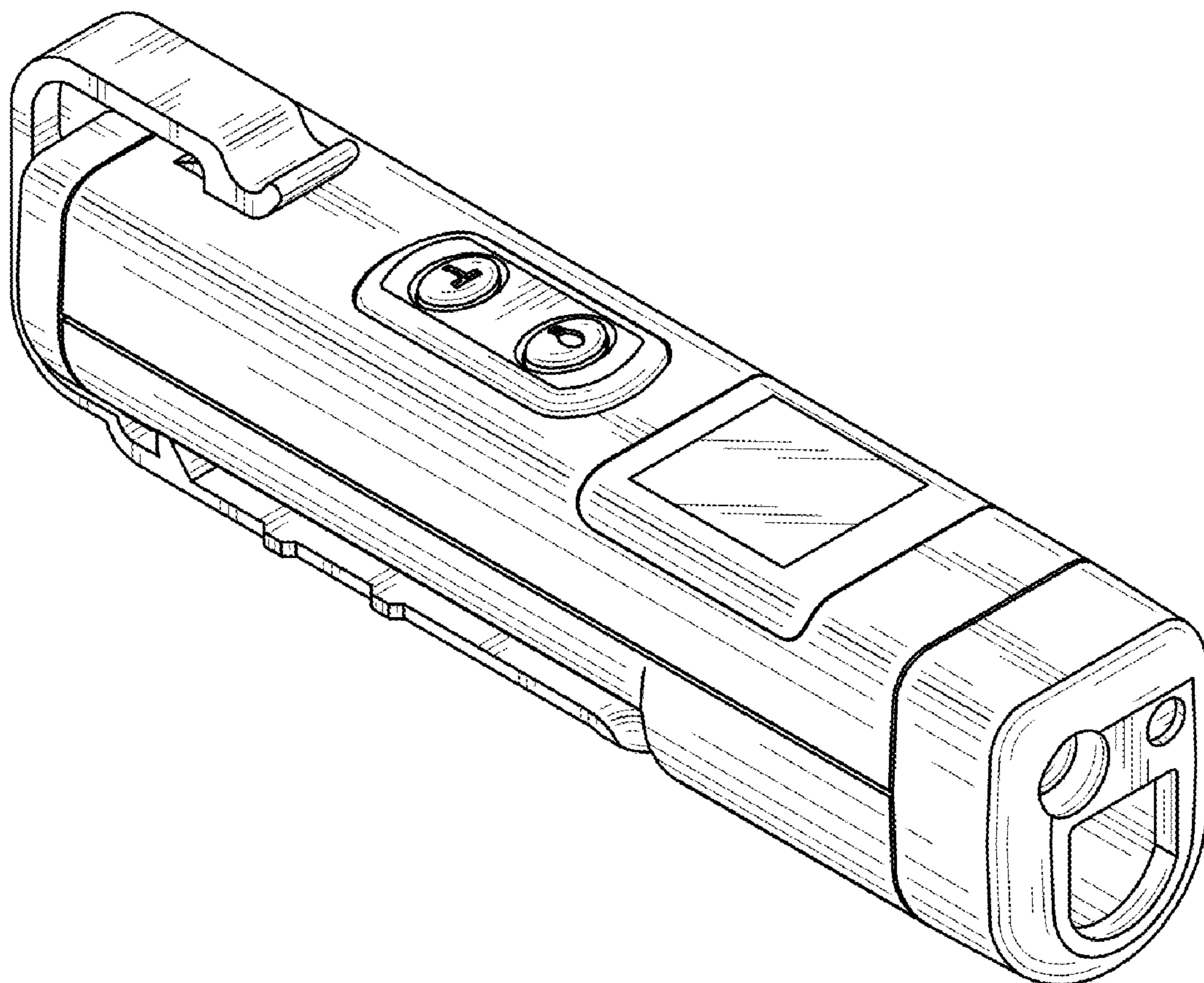
(57) **CLAIM**

The ornamental design for the multi-functional infrared thermometer, as shown and described.

DESCRIPTION

FIG. 1 is a perspective view of the multi-functional infrared thermometer showing the new design; FIG. 2 is a front view of the new design; FIG. 3 is a rear view of the new design; FIG. 4 is a left view of the new design; FIG. 5 is a right view of the new design; FIG. 6 is a top view of the new design; and, FIG. 7 is a bottom view of the new design.

1 Claim, 4 Drawing Sheets



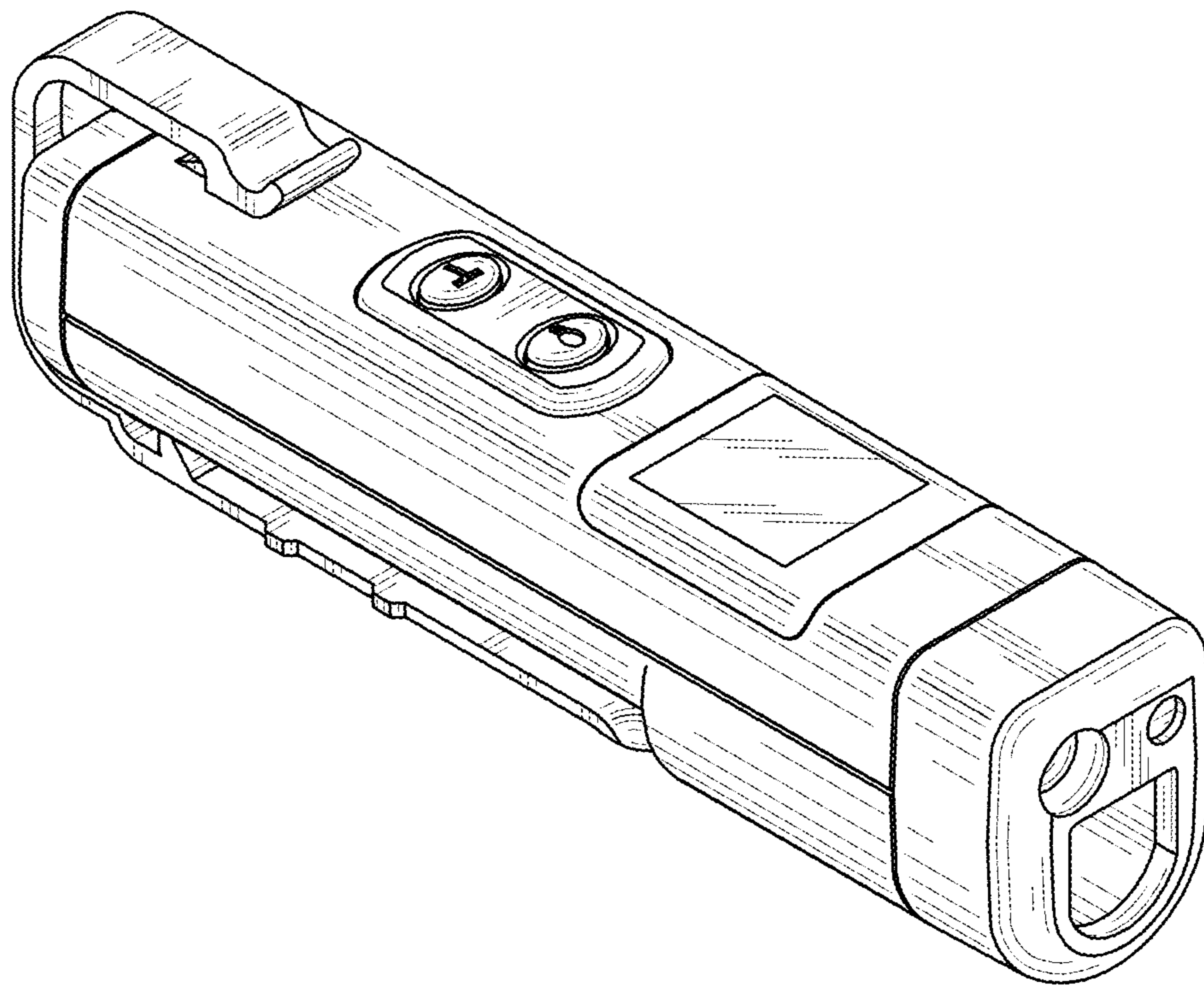


Fig.1

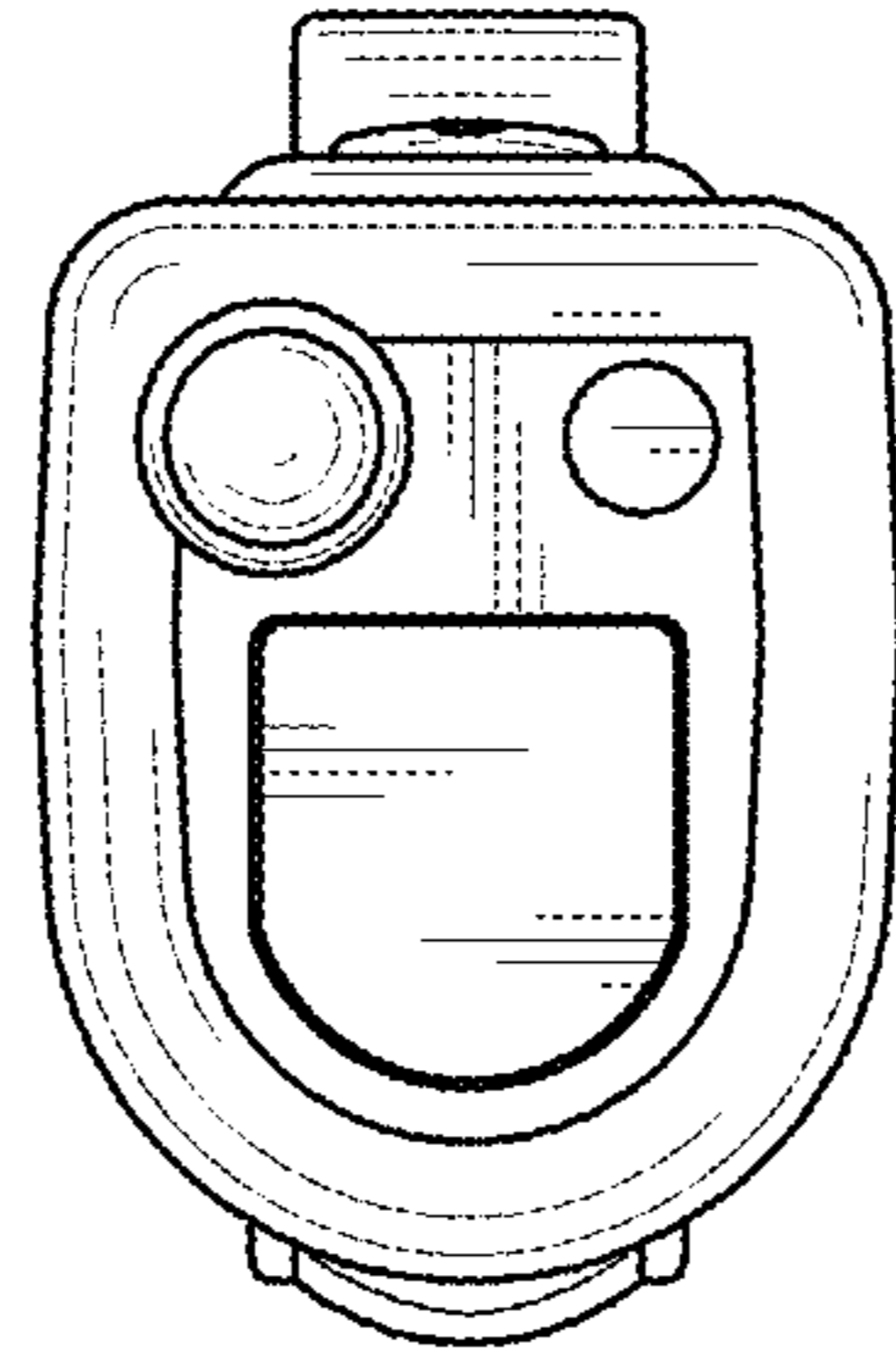


Fig.2

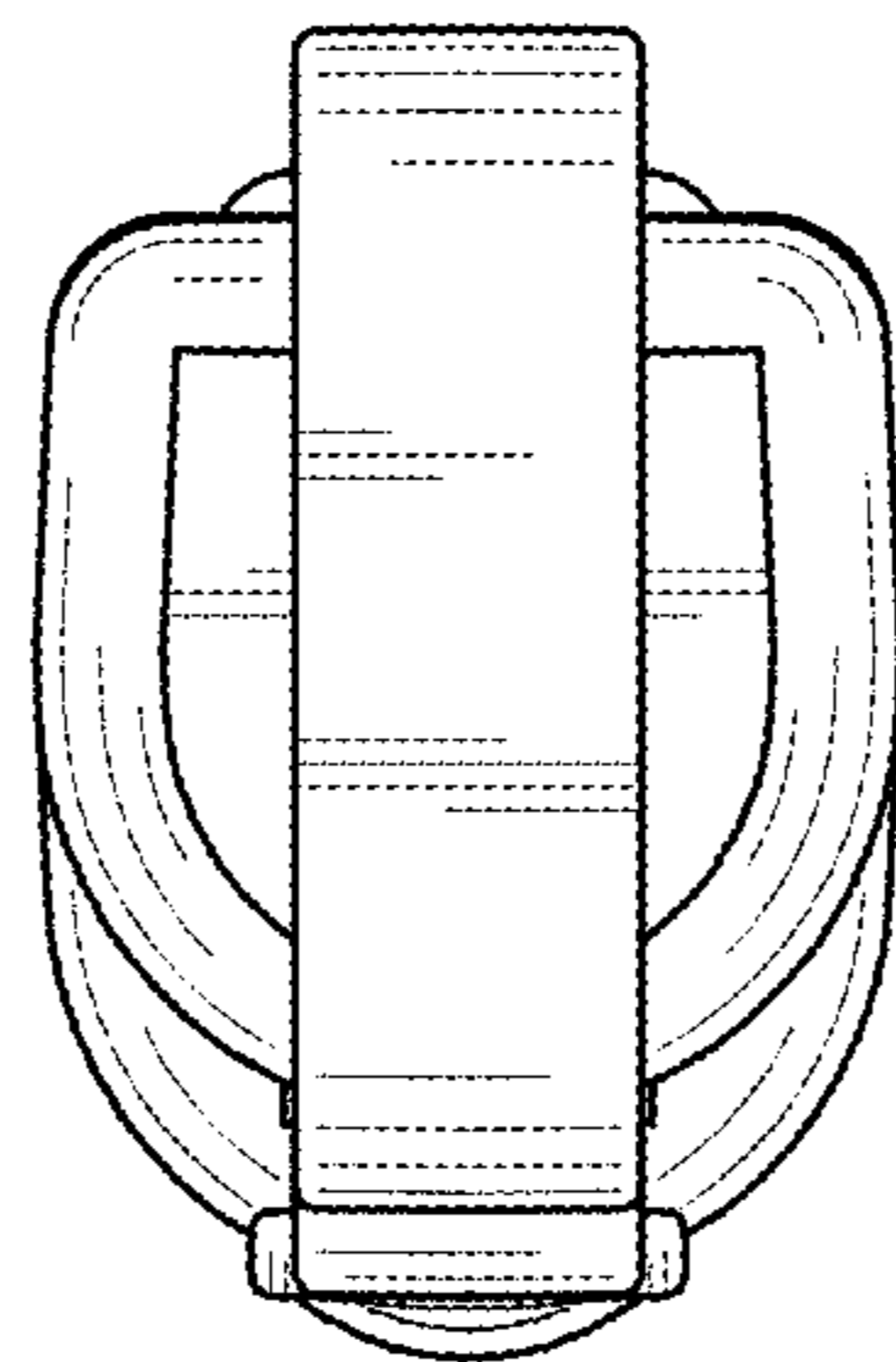


Fig.3

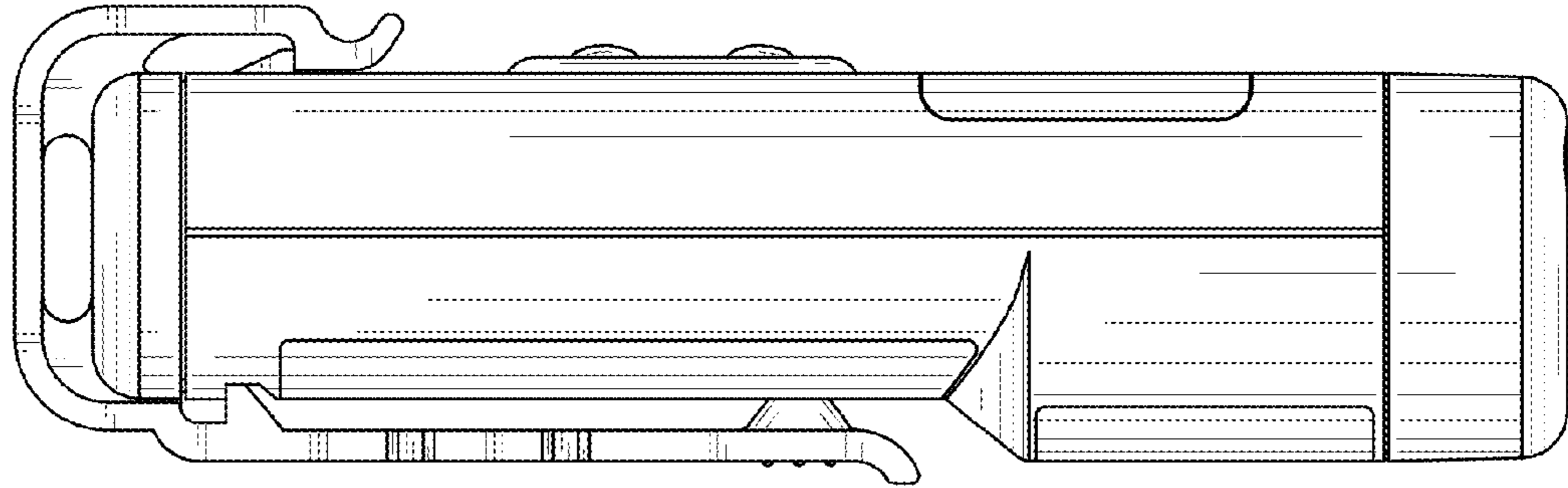


Fig.4

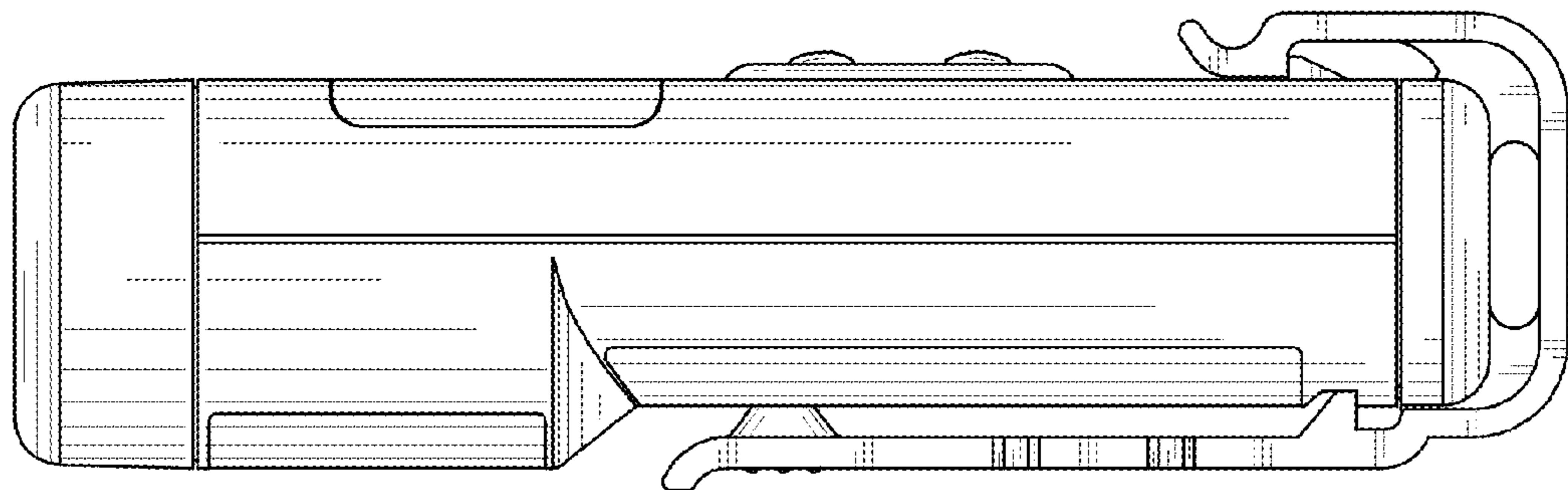


Fig.5

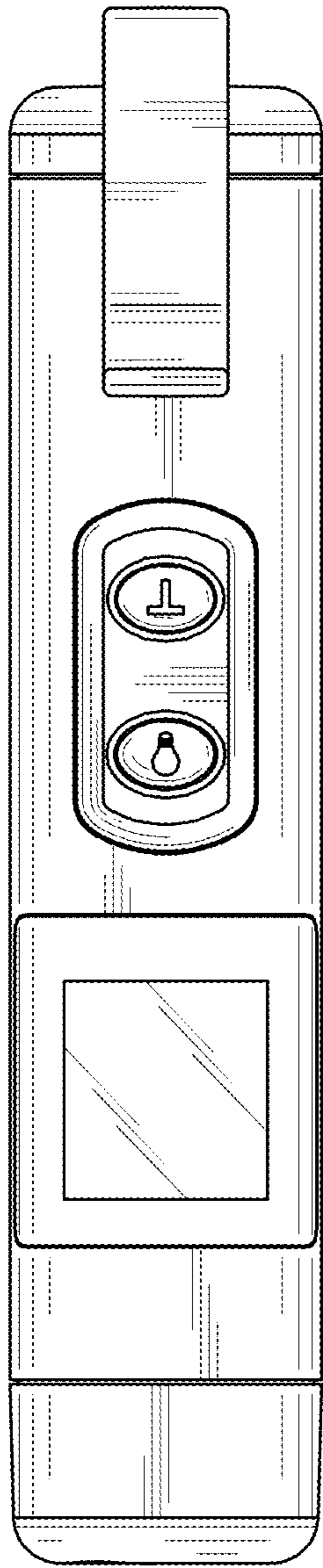


Fig.6

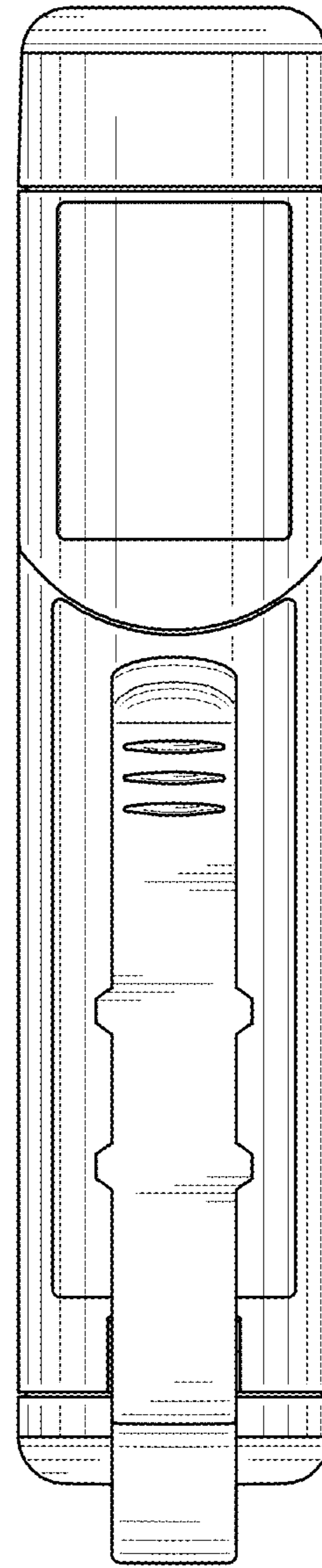


Fig.7