



US00D724446S

(12) **United States Design Patent**
Favre

(10) **Patent No.:** **US D724,446 S**
(45) **Date of Patent:** **** Mar. 17, 2015**

(54) **WATCH**

(75) Inventor: **Lionel Favre**, Ambilly (FR)

(73) Assignee: **Manufacture Roger Dubuis S.A.**,
Meyrin (CH)

(**) Term: **14 Years**

(21) Appl. No.: **29/427,034**

(22) Filed: **Jul. 13, 2012**

(30) **Foreign Application Priority Data**

Jan. 16, 2012 (WO) DM/077 685

(51) **LOC (10) Cl.** **10-02**

(52) **U.S. Cl.**
USPC **D10/39; D10/124; D10/126**

(58) **Field of Classification Search**
CPC G04B 19/00; G04B 19/04; G04B 19/06;
G04B 37/00; G04B 39/00; G04B 39/002;
G04B 45/00; G04B 45/02; G04B 47/044;
G04B 47/06; G04G 9/00; G04G 17/00;
G04G 17/08

USPC D10/30-39, 122-132, 1-39; 368/10,
368/11, 15-18, 21, 22, 76, 80, 82, 88, 107,
368/223, 228, 232, 233, 276, 281, 285, 309
See application file for complete search history.

(56) **References Cited**

U.S. PATENT DOCUMENTS

922,197 A * 5/1909 Sandoz 368/127
1,950,189 A * 3/1934 Pejchar 368/21
2,361,563 A * 10/1944 Pellaton 368/80
3,570,239 A * 3/1971 Charles 368/11

D438,473 S * 3/2001 Dumas D10/39
6,229,768 B1 * 5/2001 Nakazawa et al. 368/223
D530,628 S * 10/2006 Raffy D10/32
7,339,855 B2 * 3/2008 Muraji 368/223
D570,230 S * 6/2008 Monachon D10/32
D579,793 S * 11/2008 Hayek D10/39
7,480,213 B2 * 1/2009 Muraji 368/223
7,564,742 B2 * 7/2009 Muraji 368/228
D597,859 S * 8/2009 Arpa D10/32
D611,866 S * 3/2010 Dias D10/129
D614,514 S * 4/2010 Laucella D10/39
D618,576 S * 6/2010 Duport et al. D10/126
D620,826 S * 8/2010 Duport et al. D10/126
D624,440 S * 9/2010 Wunderman D10/32
D636,692 S * 4/2011 Pospieszny et al. D10/129
D641,264 S * 7/2011 Garcia D10/39
D646,589 S * 10/2011 Mille D10/39
D648,639 S * 11/2011 Mille D10/39

* cited by examiner

Primary Examiner — Caron D Veynar

Assistant Examiner — Martie K Holtje

(74) *Attorney, Agent, or Firm* — Krieg DeVault LLP

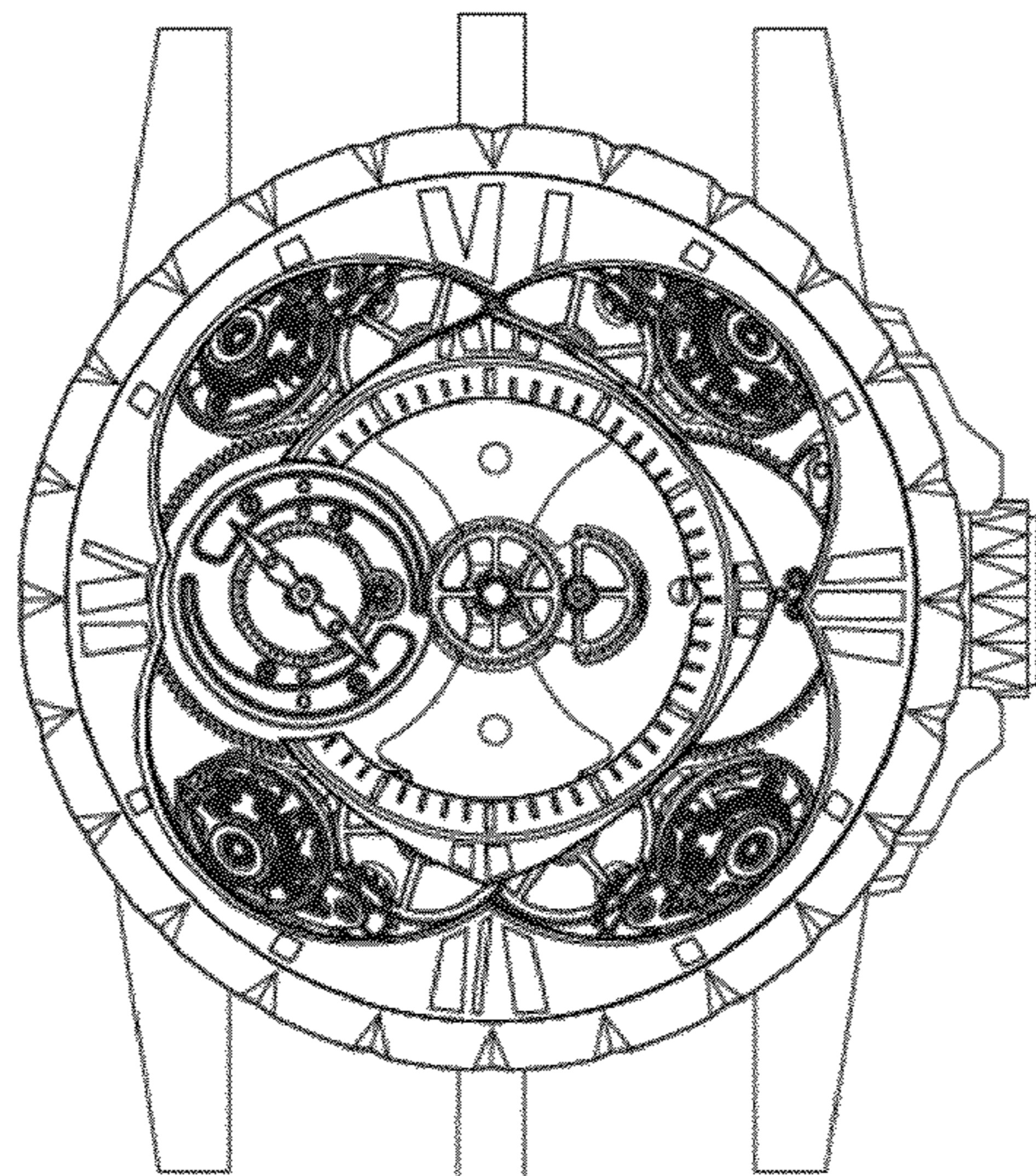
(57) **CLAIM**

The ornamental design for a watch, as shown and described.

DESCRIPTION

FIG. 1 is a top view of the watch of the present invention.
FIG. 2 is a bottom view of the watch of FIG. 1.
FIG. 3 is a front view of the watch of FIG. 1.
FIG. 4 is a rear of the watch of FIG. 1.
FIG. 5 is a left side of the watch of FIG. 1.
FIG. 6 is a right side of the watch of FIG. 1; and,
FIG. 7 is a top, right-side perspective view of the watch of FIG. 1.

1 Claim, 1 Drawing Sheet



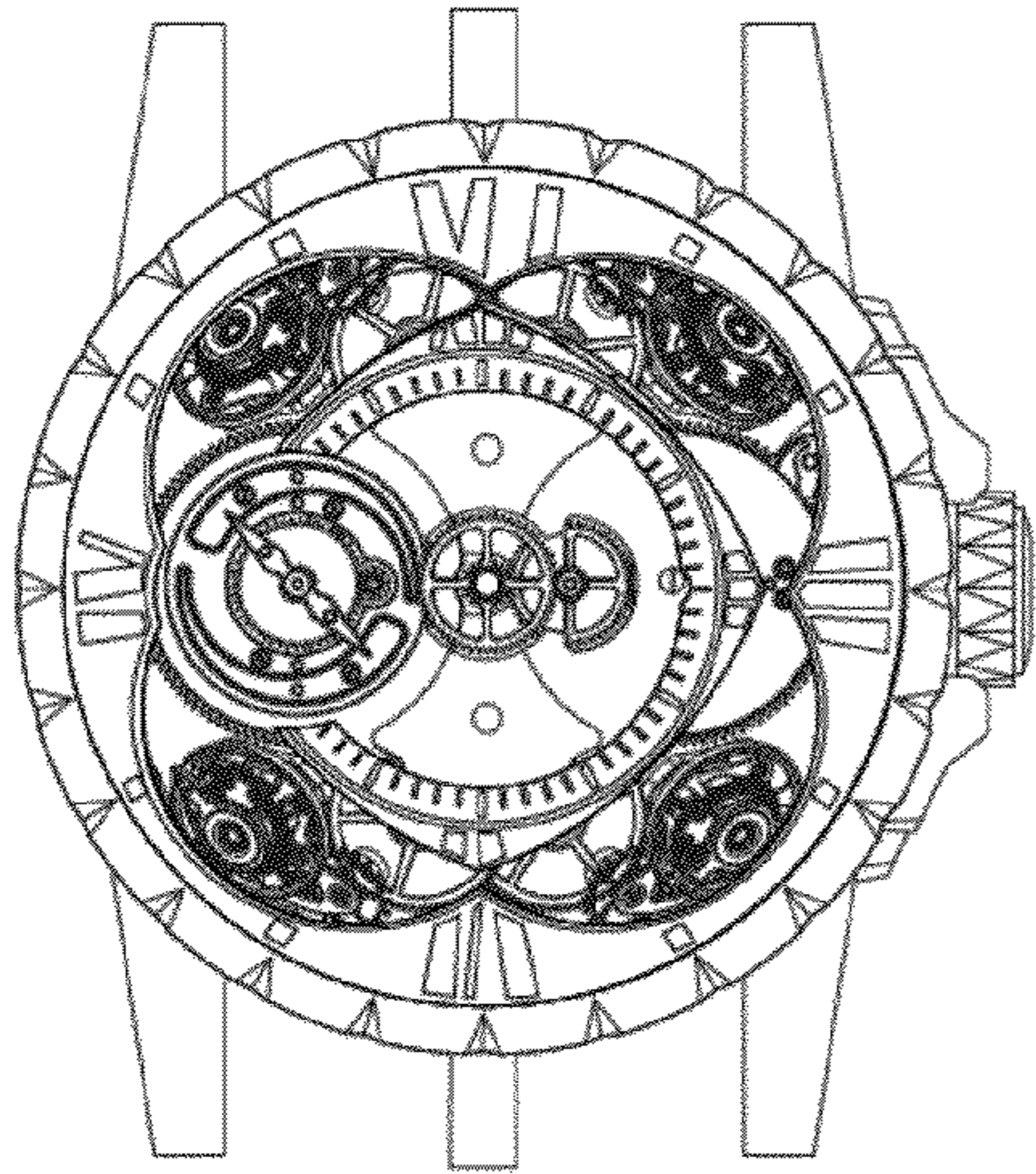


Fig. 1

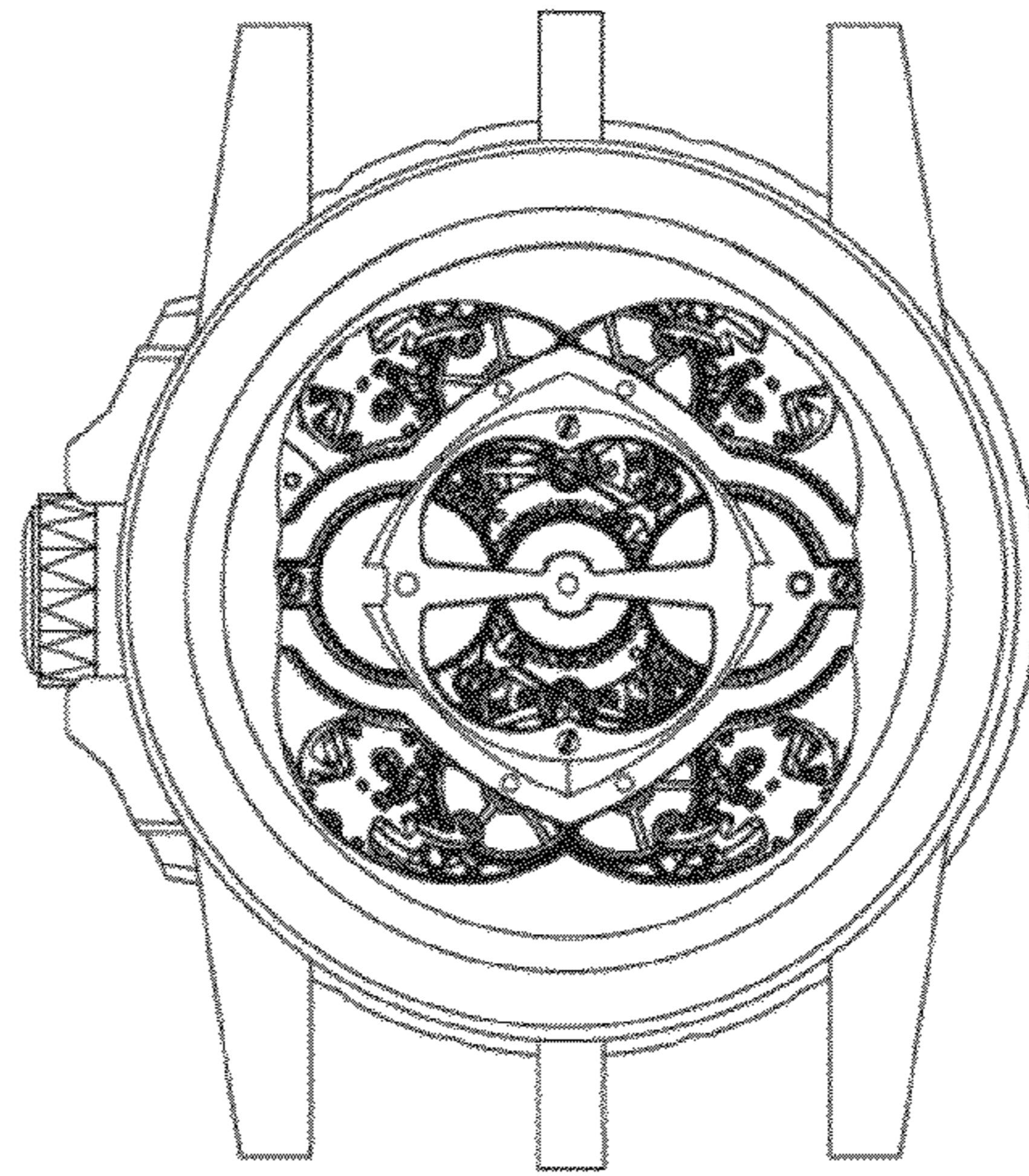


Fig. 2

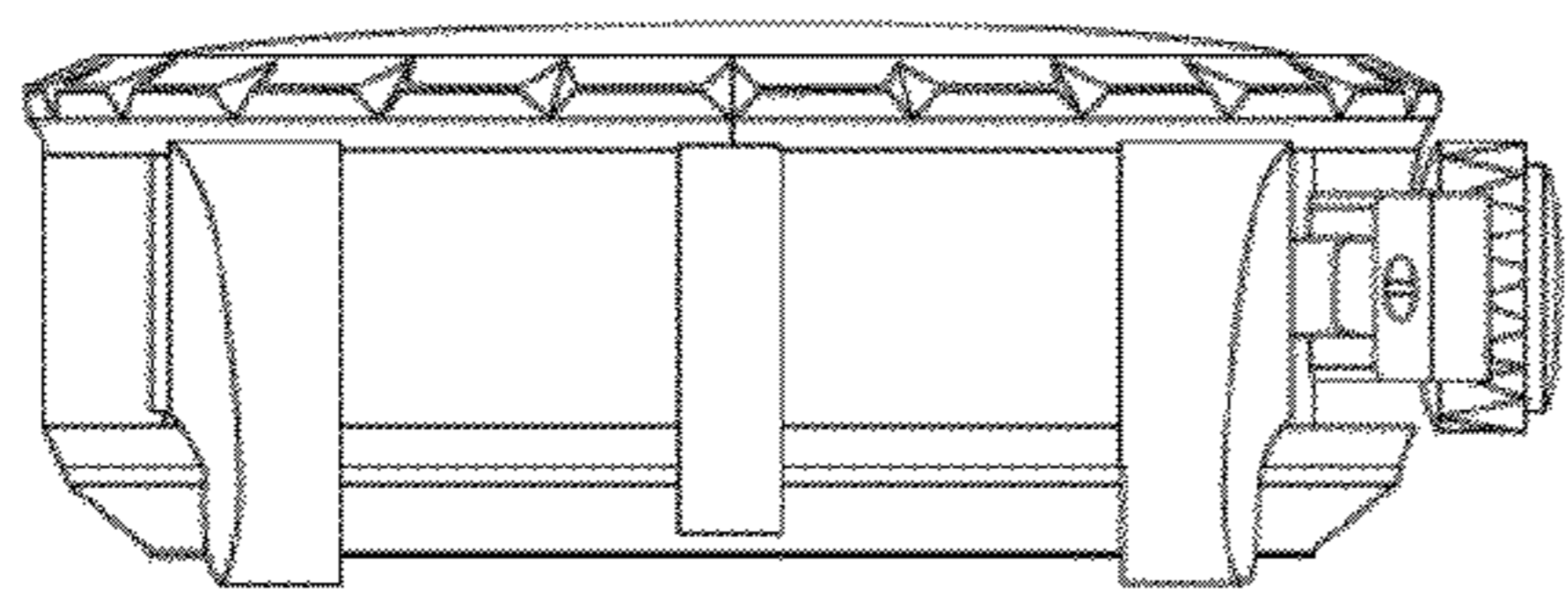


Fig. 3

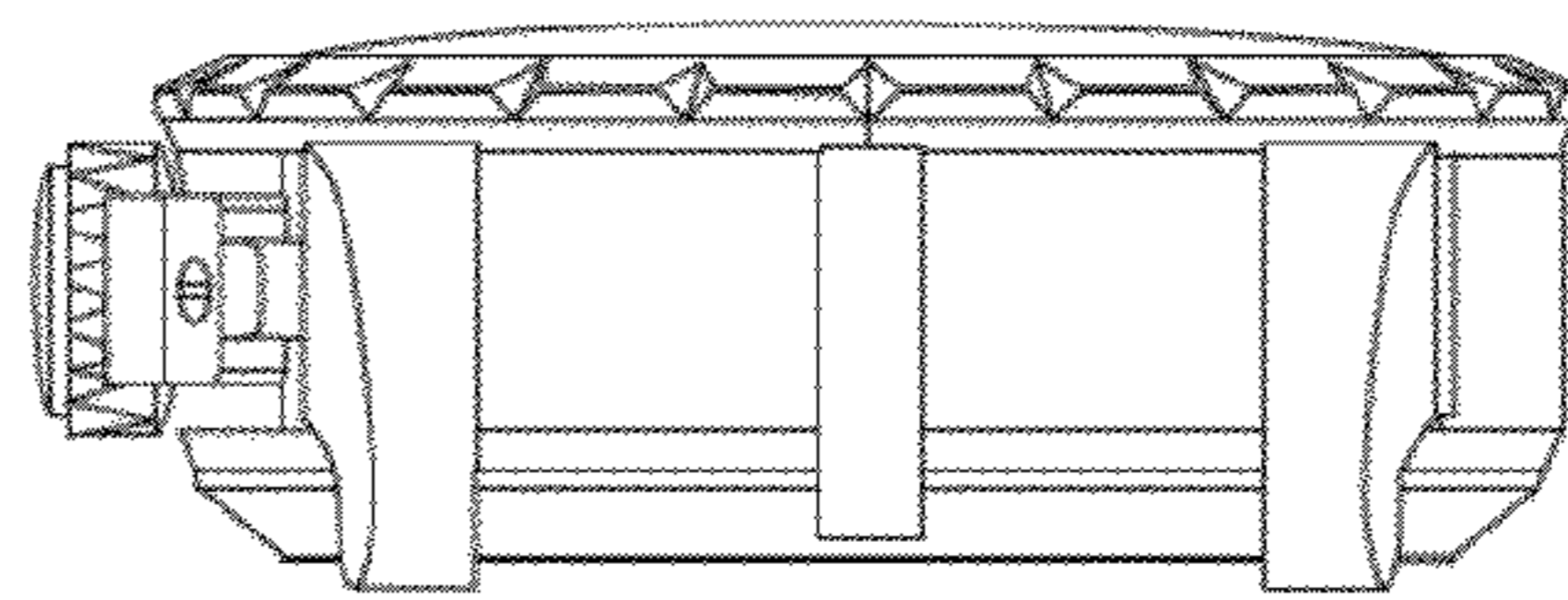


Fig. 4

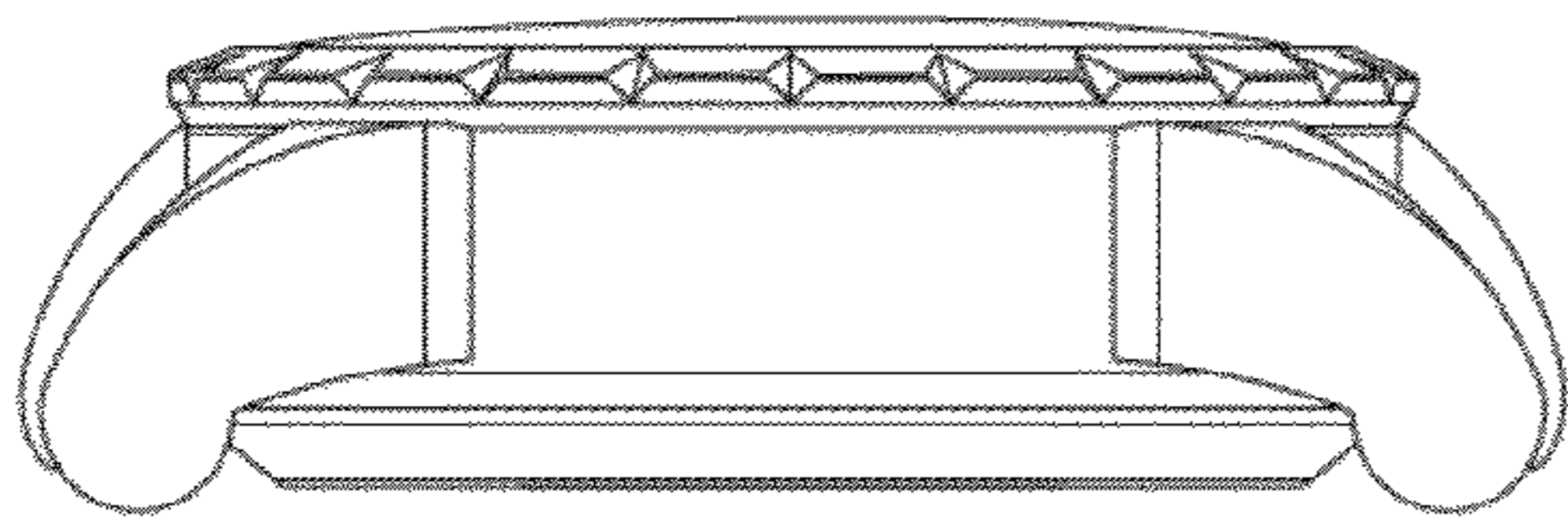


Fig. 5

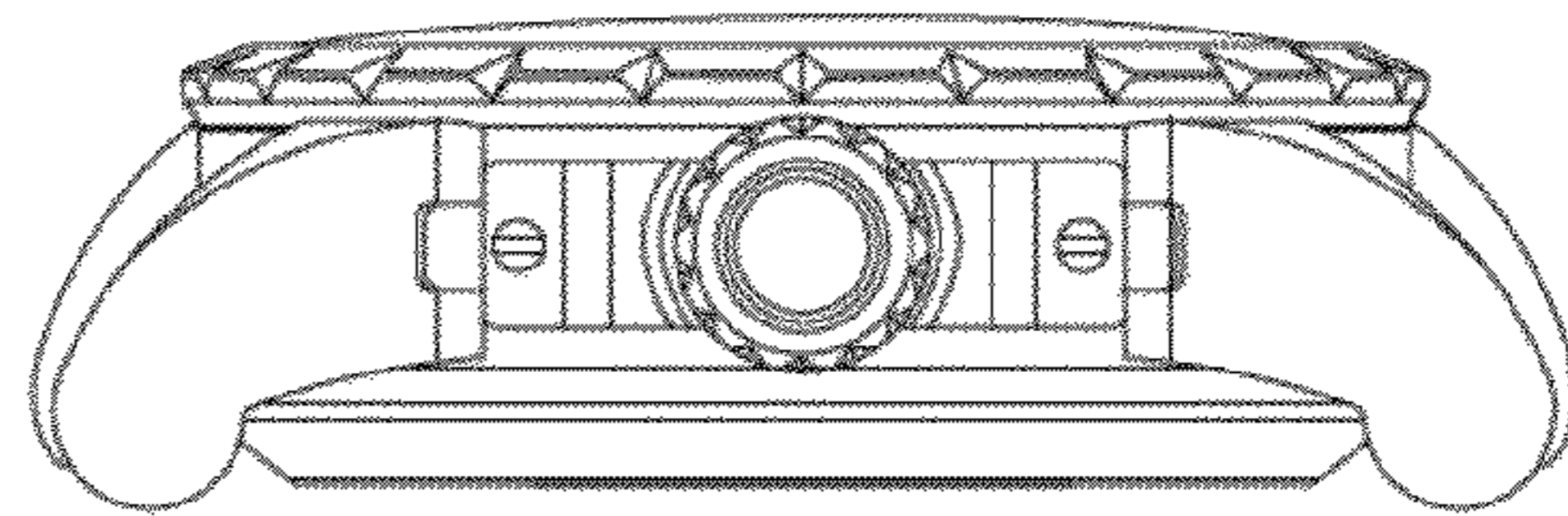


Fig. 6

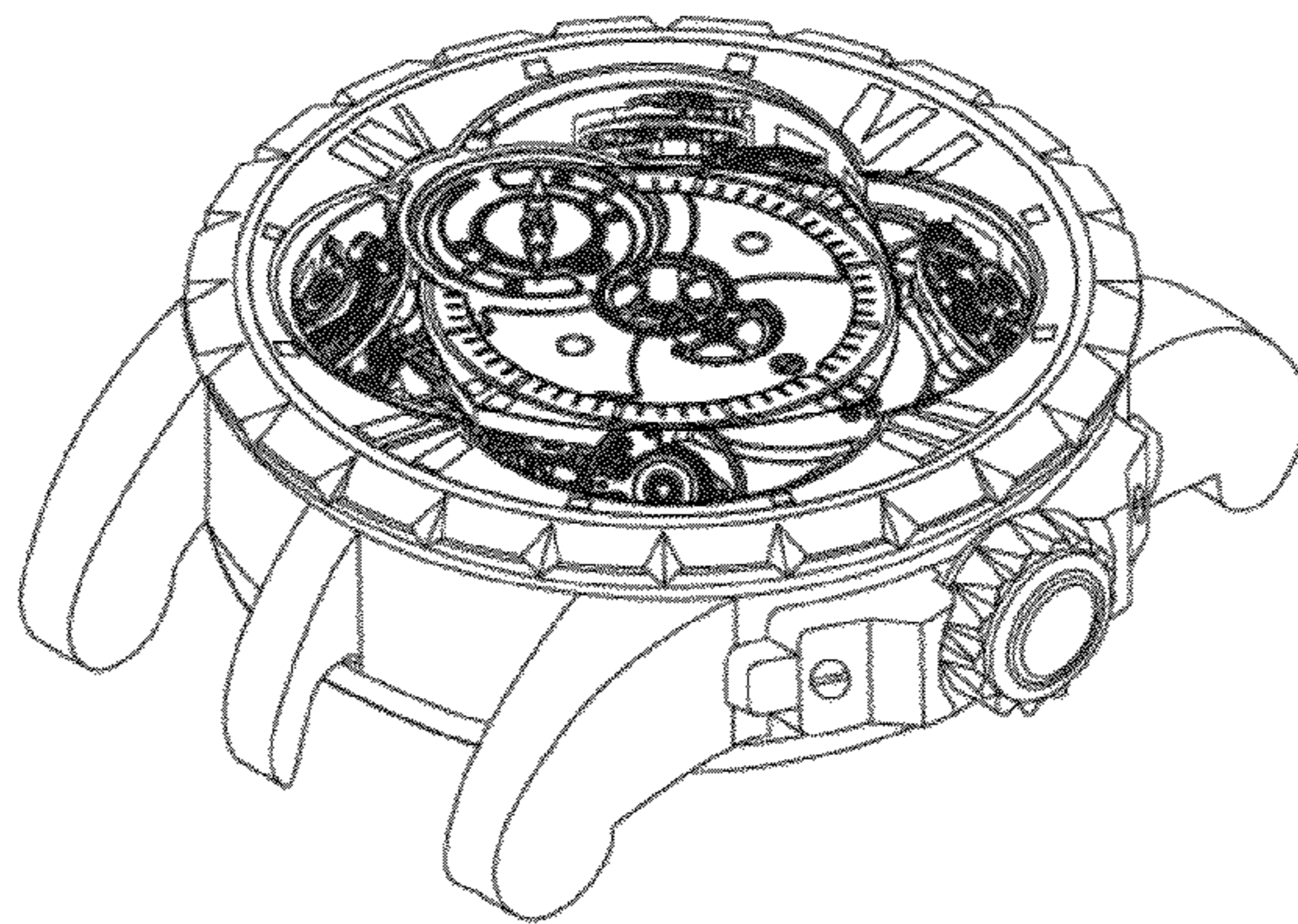


Fig. 7