

US00D724441S

(12) **United States Design Patent**  
**Fukuda**

(10) **Patent No.:** **US D724,441 S**  
(45) **Date of Patent:** **\*\* Mar. 17, 2015**

(54) **PACKAGING BAG**

(75) Inventor: **Tetsuo Fukuda**, Osaka (JP)

(73) Assignee: **Otsuka Pharmaceutical Co., Ltd.**,  
Tokyo (JP)

(\*\*) Term: **14 Years**

(21) Appl. No.: **29/424,979**

(22) Filed: **Jun. 18, 2012**

(30) **Foreign Application Priority Data**

Dec. 28, 2011 (JP) ..... 2011-030656

(51) **LOC (10) Cl.** ..... **09-05**

(52) **U.S. Cl.**  
USPC ..... **D9/707**

(58) **Field of Classification Search**  
USPC ..... D9/702-714, 499, 443, 435, 434, 415,  
D9/430-432; D24/118, 121; 426/106;  
383/61.1, 42, 119, 108, 103, 106, 120,  
383/127; 222/92, 107, 215; 220/666,  
220/495.03; 211/85.15; 206/406, 811, 484,  
206/260; 428/35.2; D3/203.1, 203.2, 303  
See application file for complete search history.

(56) **References Cited**

**U.S. PATENT DOCUMENTS**

|              |         |                |        |
|--------------|---------|----------------|--------|
| D312,569 S   | 12/1990 | Wijas          |        |
| 5,018,646 A  | 5/1991  | Billman et al. |        |
| D319,176 S * | 8/1991  | Sherman        | D9/710 |
| D438,793 S * | 3/2001  | Croft          | D9/707 |
| D466,004 S * | 11/2002 | Gates          | D9/707 |
| D466,404 S   | 12/2002 | Gates          |        |
| D477,992 S   | 8/2003  | Dennis et al.  |        |
| 6,913,388 B2 | 7/2005  | Laske          |        |
| D542,152 S * | 5/2007  | Klis           | D9/710 |
| D550,565 S   | 9/2007  | Lee            |        |

|              |         |               |        |
|--------------|---------|---------------|--------|
| D555,010 S * | 11/2007 | Maier et al.  | D9/707 |
| D602,377 S   | 10/2009 | Lin           |        |
| D603,719 S * | 11/2009 | Atkin         | D9/707 |
| D607,343 S * | 1/2010  | Poirier       | D9/707 |
| D612,743 S * | 3/2010  | Bradley       | D9/703 |
| D613,615 S * | 4/2010  | Hedstrom      | D9/702 |
| D623,536 S * | 9/2010  | Bohmke        | D9/707 |
| D688,566 S * | 8/2013  | Bohmke et al. | D9/707 |

**OTHER PUBLICATIONS**

Design U.S. Appl. No. 29/424,980, Office Action dated Aug. 27, 2013.

\* cited by examiner

*Primary Examiner* — Richard E Chilcot

*Assistant Examiner* — Abraham Bahta

(74) *Attorney, Agent, or Firm* — Dennis R. Haszko

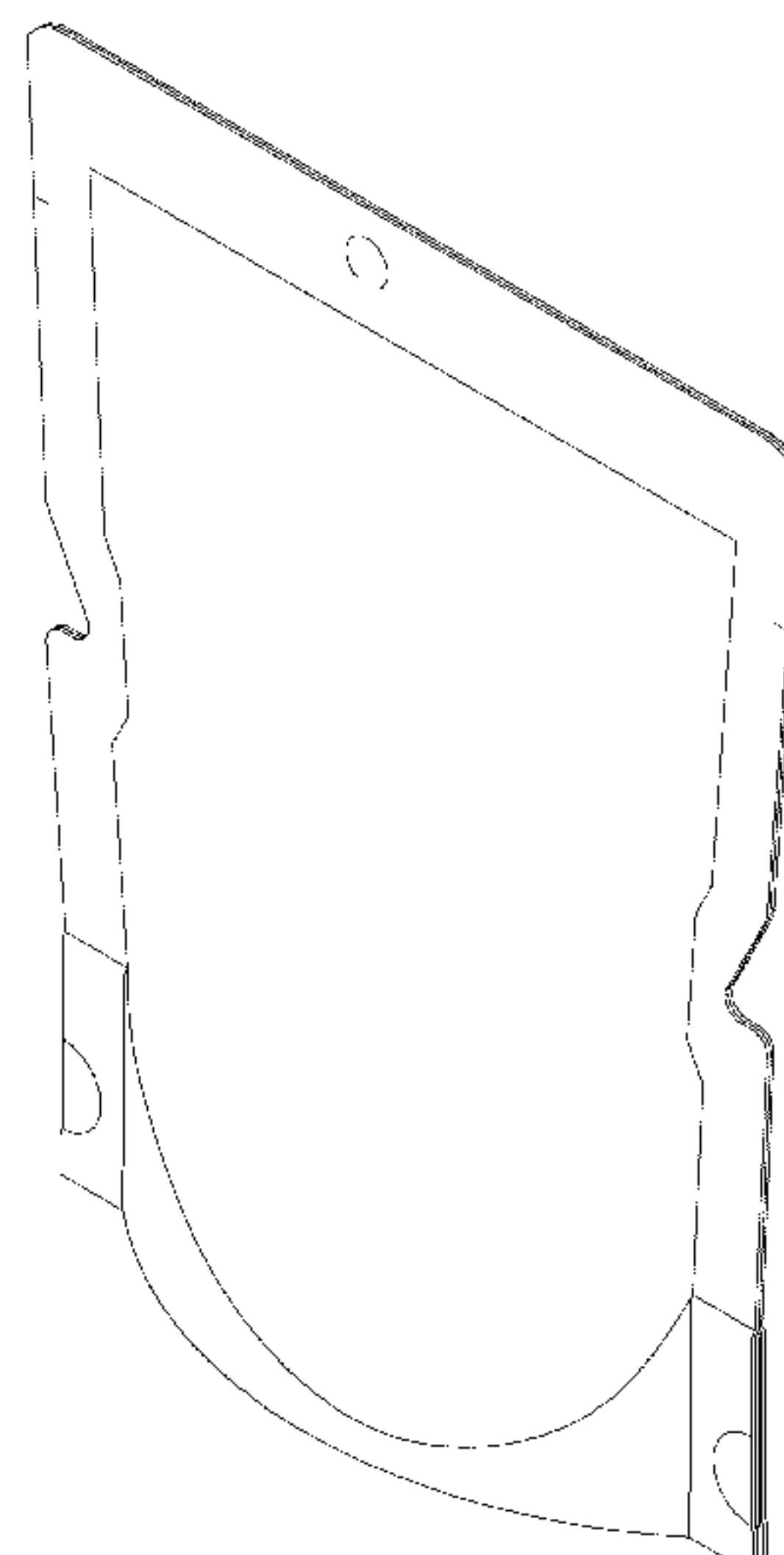
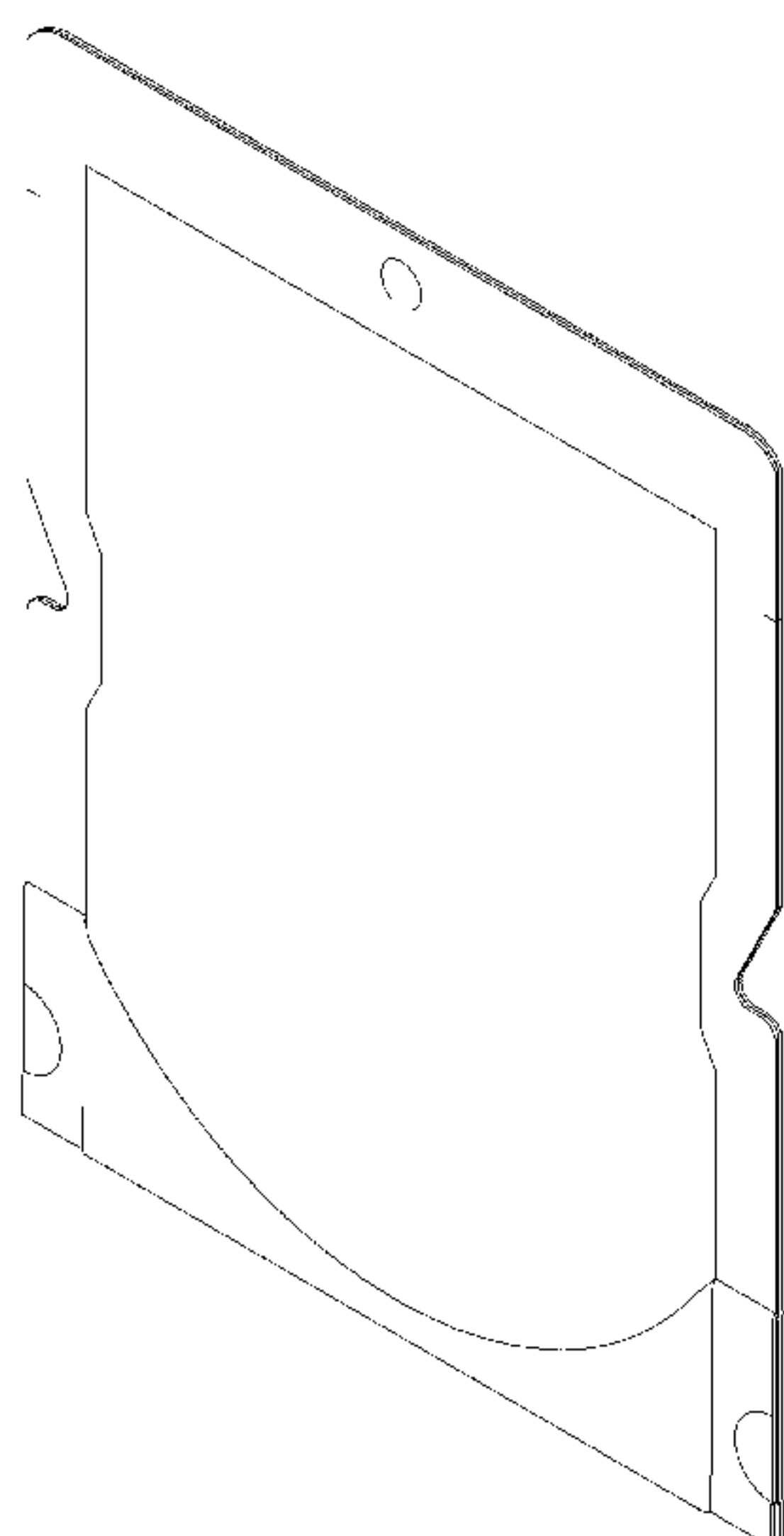
(57) **CLAIM**

The ornamental design for a packaging bag, as shown and described.

**DESCRIPTION**

FIG. 1 is a perspective view in reduced size of the packaging bag;  
FIG. 2 is a front view thereof;  
FIG. 3 is a plan view thereof;  
FIG. 4 is a bottom view thereof;  
FIG. 5 is a right side view thereof;  
FIG. 6 is an end view thereof taken along the vertical axis in the front view;  
FIG. 7 is a perspective view thereof showing the article when it is self-standing;  
FIG. 8 is a perspective view thereof as viewed from the front side, which shows the article being used; and,  
FIG. 9 is a perspective view thereof as viewed from the rear side, which shows the article being used.

**1 Claim, 9 Drawing Sheets**



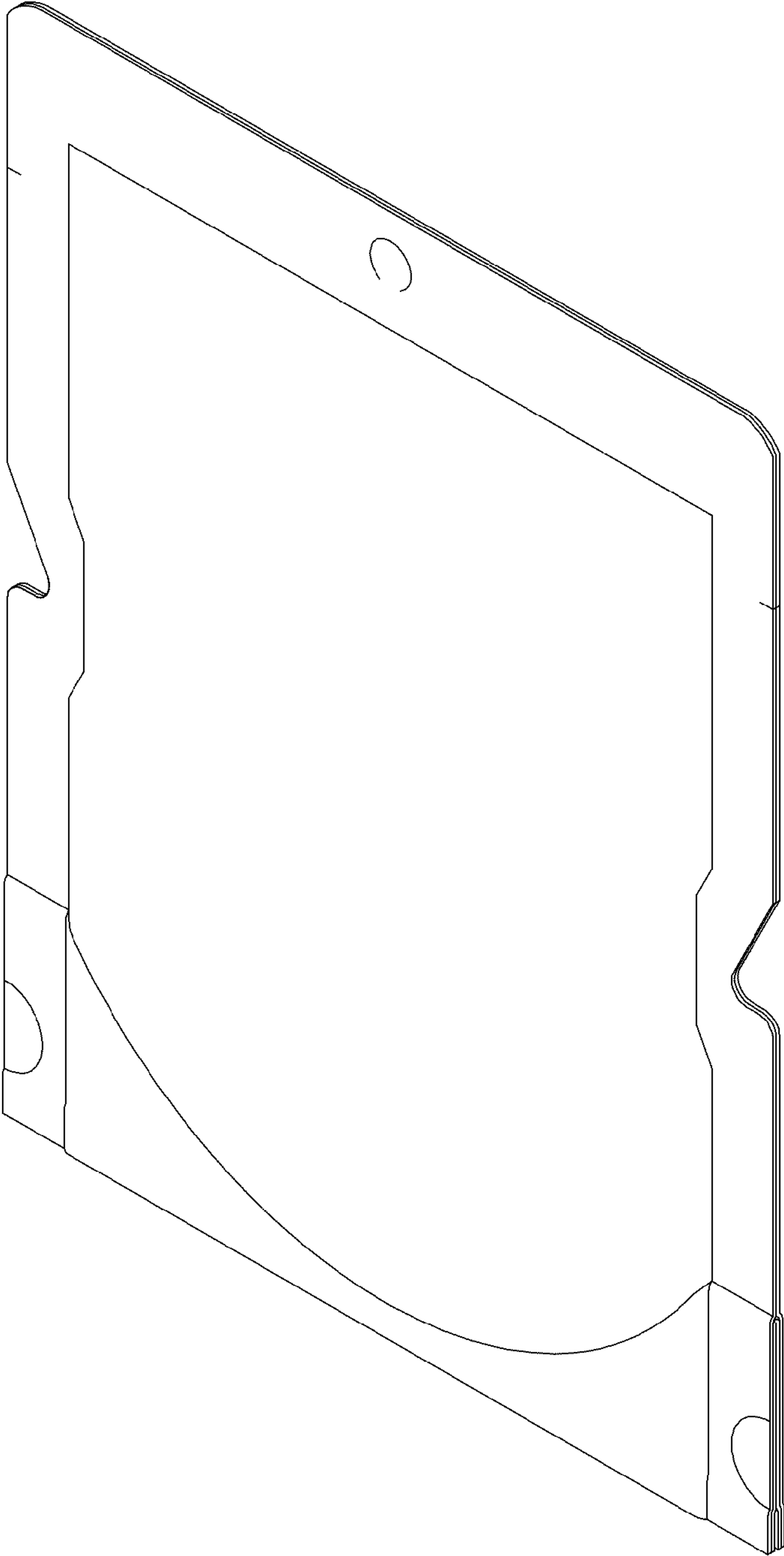


FIG. 1

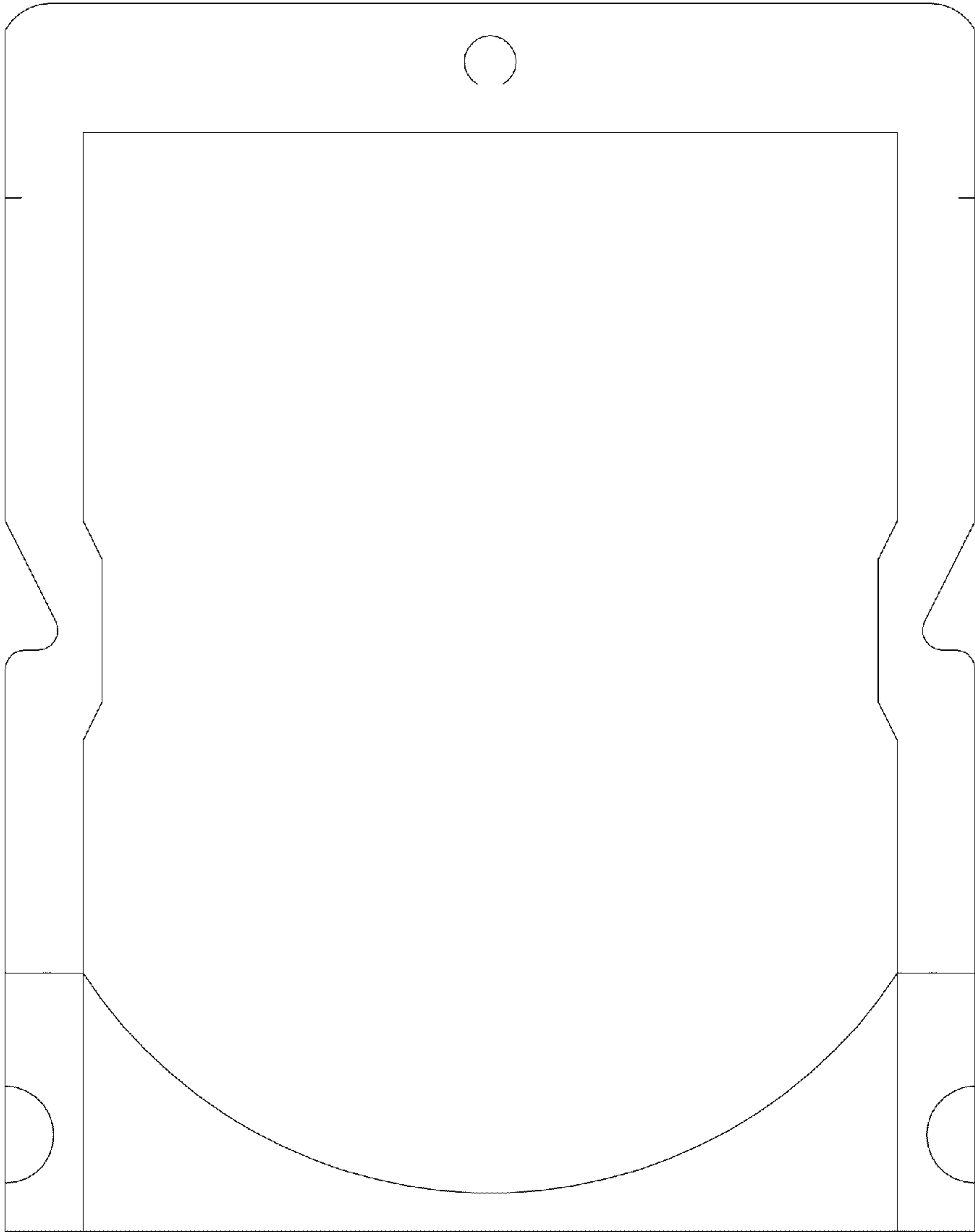


FIG. 2

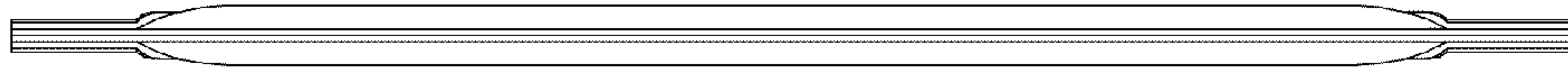
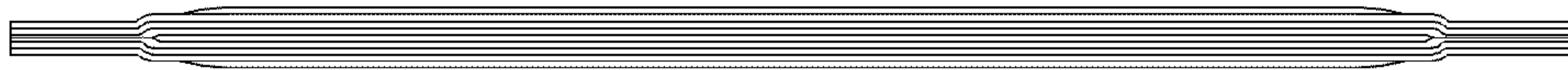


FIG. 3



**FIG. 4**

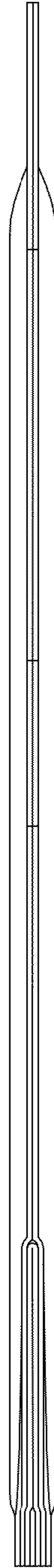


FIG. 5

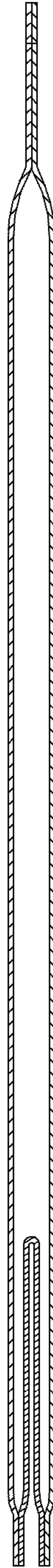


FIG. 6

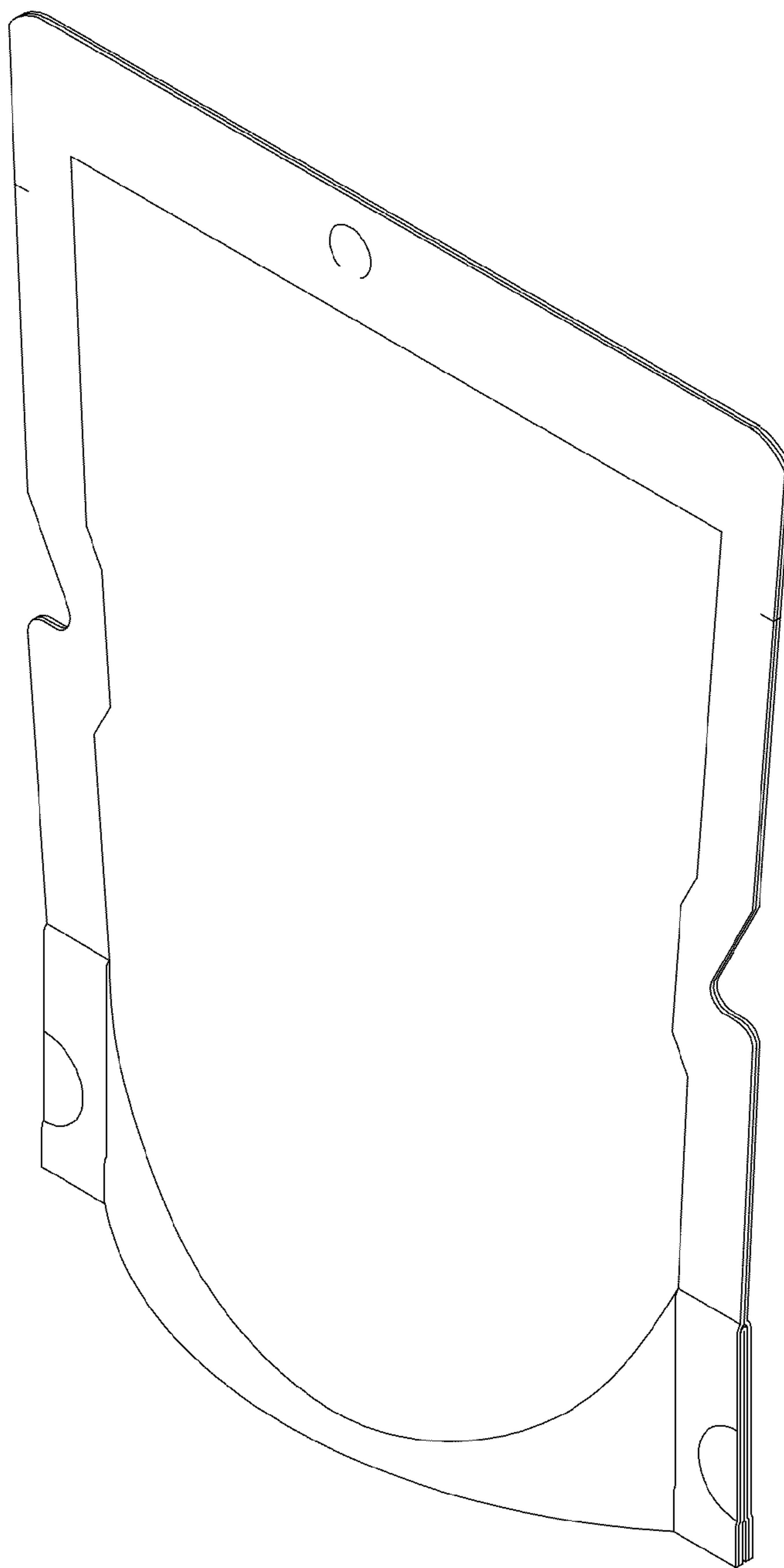


FIG. 7



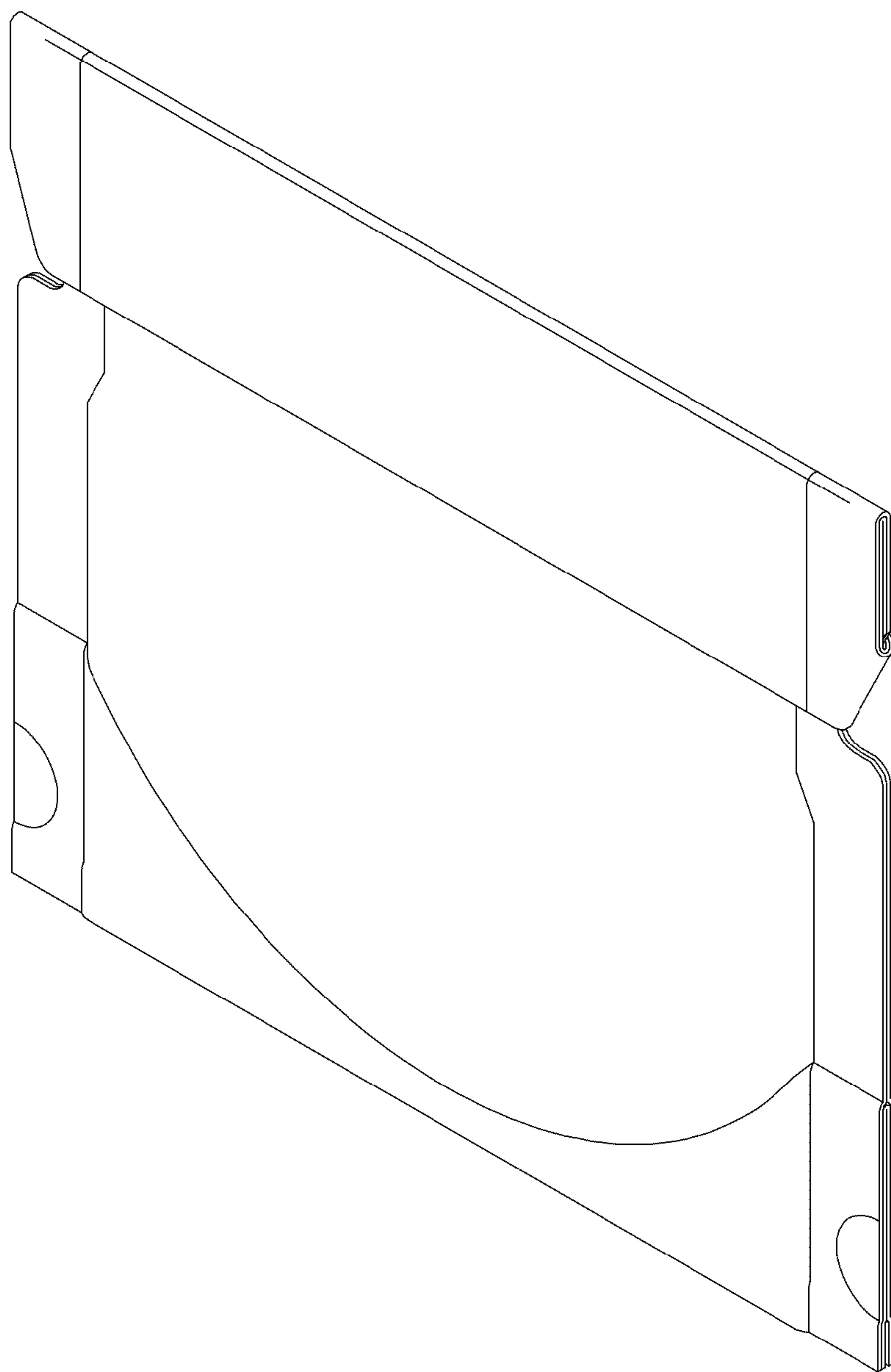


FIG. 8

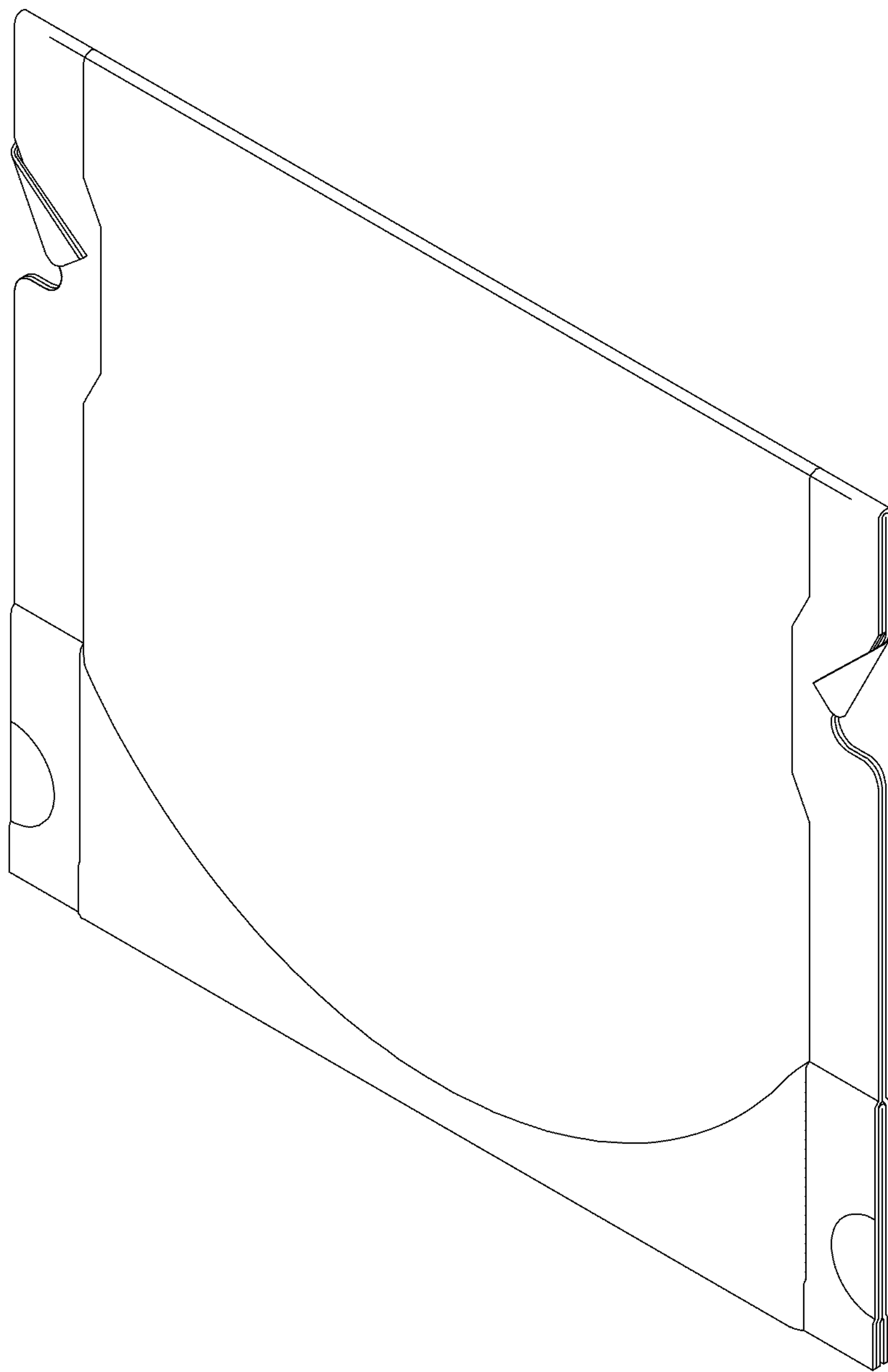


FIG. 9