



US00D724432S

(12) **United States Design Patent**
Limback

(10) **Patent No.:** **US D724,432 S**
(45) **Date of Patent:** **** Mar. 17, 2015**

- (54) **PACKAGE FOR PRODUCT**
- (71) Applicant: **Aventisub II Inc.**, Greenville, DE (US)
- (72) Inventor: **Nancy Gail Limback**, Bridgewater, NJ (US)
- (73) Assignee: **Aventisub II Inc.**, Greenville, DE (US)
- (**) Term: **14 Years**
- (21) Appl. No.: **29/457,583**
- (22) Filed: **Jun. 11, 2013**

D401,274 S *	11/1998	Sills et al.	D19/26
5,984,099 A	11/1999	Shimizu et al.		
D426,262 S *	6/2000	Humphrey	D19/26
D439,512 S	3/2001	Wootton		
D448,799 S *	10/2001	Moor	D19/26
D456,841 S *	5/2002	Bock	D19/26
D462,987 S *	9/2002	Ruscetta et al.	D19/26
D468,348 S *	1/2003	Nishikawa	D19/26
6,659,271 B2 *	12/2003	Parsons	206/232

(Continued)

OTHER PUBLICATIONS

Notice of Allowance dated Dec. 30, 2013 issued in U.S. Appl. No. 29/439,685.

Primary Examiner — Susan Bennett Hattan

Assistant Examiner — Marie Fast Horse

(74) *Attorney, Agent, or Firm* — Scully, Scott, Murphy & Presser, P.C.

Related U.S. Application Data

- (63) Continuation-in-part of application No. 29/439,685, filed on Dec. 13, 2012.
 - (51) **LOC (10) Cl.** **09-03**
 - (52) **U.S. Cl.**
USPC **D9/457**
 - (58) **Field of Classification Search**
USPC D9/457, 415, 624, 517, 501, 500, 447, D9/446, 435, 434, 433, 432, 425, 424, 418, D9/414; 206/277, 349, 476, 382, 485, 490, 206/461, 538, 531, 534.1, 703, 705, 780; 229/313, 225, 222, 212, 209, 208, 149; 40/124.06; D20/22; 220/373; 493/162; D19/26
- See application file for complete search history.

(57) **CLAIM**

The ornamental design for a package for product, as shown and described.

DESCRIPTION

FIG. 1 is a perspective view of a package for product showing my new design;
 FIG. 2 is a front view thereof;
 FIG. 3 is a rear view thereof;
 FIG. 4 is a side view thereof;
 FIG. 5 is an opposite side view thereof;
 FIG. 6 is a top view thereof;
 FIG. 7 is a bottom view thereof;
 FIG. 8 is another perspective view thereof; and,
 FIG. 9 is another front view thereof.

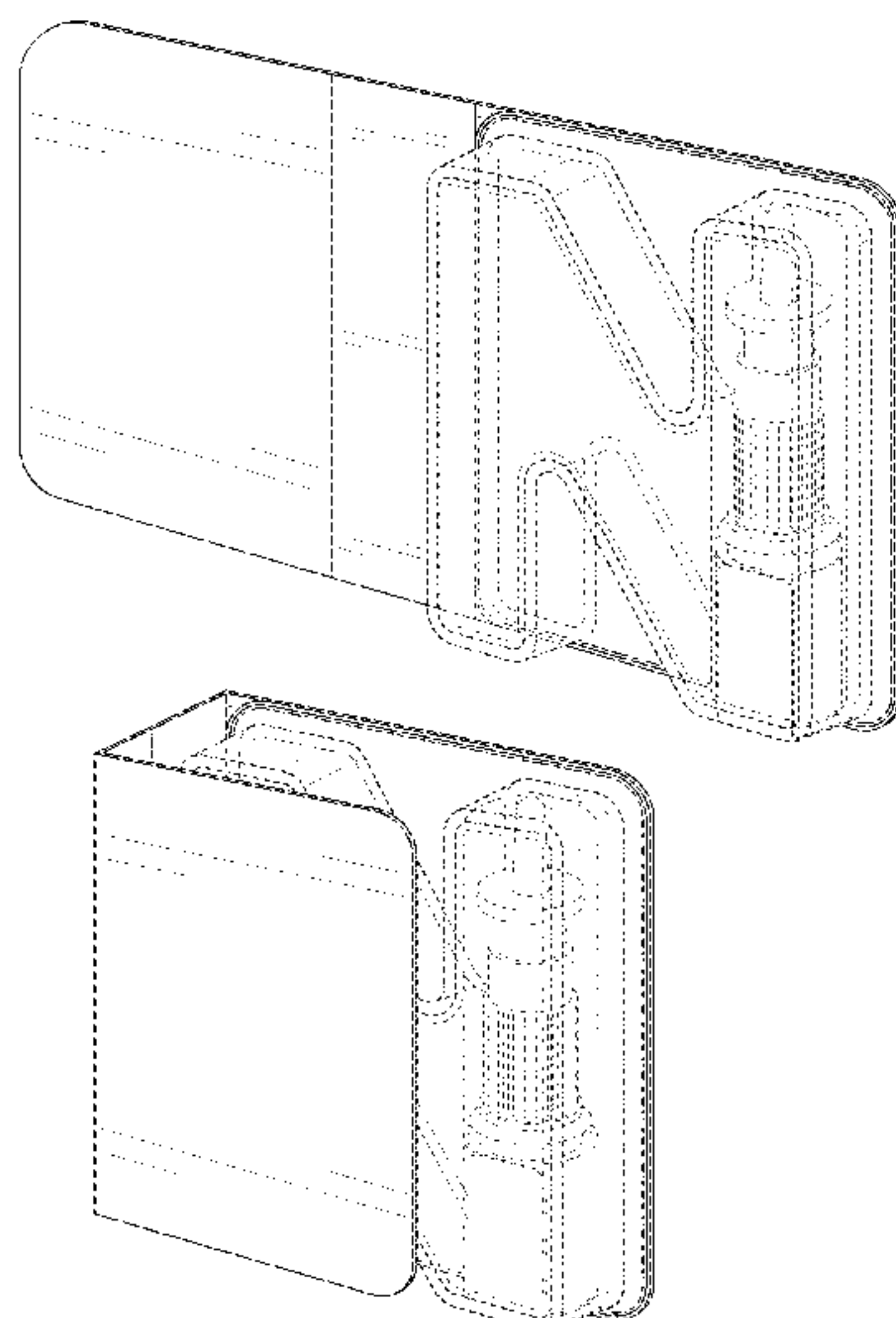
The broken lines in the figures consisting of evenly sized dashes depict portions of the package for product that form no part of the claim, whereas the broken lines consisting of unevenly sized dashes define the boundary of the claim, which extends to the boundary but does not include the boundary.

1 Claim, 7 Drawing Sheets

(56) **References Cited**

U.S. PATENT DOCUMENTS

D112,273 S	11/1938	Blunt		
D271,063 S *	10/1983	Compton	D6/634
D271,161 S *	11/1983	Compton	D6/634
D312,276 S *	11/1990	Fisherman et al.	D19/26
D313,182 S	12/1990	Diepois		
5,078,266 A *	1/1992	Rackley	206/349
D359,900 S	7/1995	Hawthorne		
D388,457 S *	12/1997	Wagner	D19/26
D396,489 S *	7/1998	Siemon et al.	D19/26



(56)

References Cited

U.S. PATENT DOCUMENTS

6,874,636 B2 *	4/2005	Paliotta et al.	206/531	D644,690 S *	9/2011	Mott et al.	D19/26
6,913,149 B2	7/2005	Gelardi et al.		D647,560 S *	10/2011	Naimi	D19/26
D509,848 S *	9/2005	Whittington et al.	D19/26	8,079,470 B2 *	12/2011	Trajkovich	206/387.13
D510,949 S *	10/2005	Whittington et al.	D19/26	8,151,988 B2	4/2012	Smith et al.	
D523,473 S *	6/2006	Regala	D19/26	D658,990 S	5/2012	Specker et al.	
D550,769 S *	9/2007	Pollard	D19/26	8,413,813 B2 *	4/2013	Grosskopf	206/531
7,325,689 B2	2/2008	Buss		8,459,453 B2 *	6/2013	Parker et al.	206/320
D564,019 S *	3/2008	Matsuzawa	D19/26	2004/0026293 A1 *	2/2004	Hughes	206/538
7,360,652 B2	4/2008	Arnold		2007/0017847 A1 *	1/2007	Leifeld	206/538
7,748,535 B2 *	7/2010	Grosskopf	206/531	2007/0056876 A1 *	3/2007	Jones	206/531
7,896,161 B2 *	3/2011	Reilley et al.	206/531	2007/0068844 A1 *	3/2007	Weston	206/538
D642,615 S *	8/2011	Naimi	D19/26	2009/0194445 A1 *	8/2009	Mongan et al.	206/320
				2009/0194452 A1 *	8/2009	Hession et al.	206/531
				2010/0264153 A1 *	10/2010	Bellamah et al.	220/737
				2010/0294683 A1 *	11/2010	Mish et al.	206/320

* cited by examiner

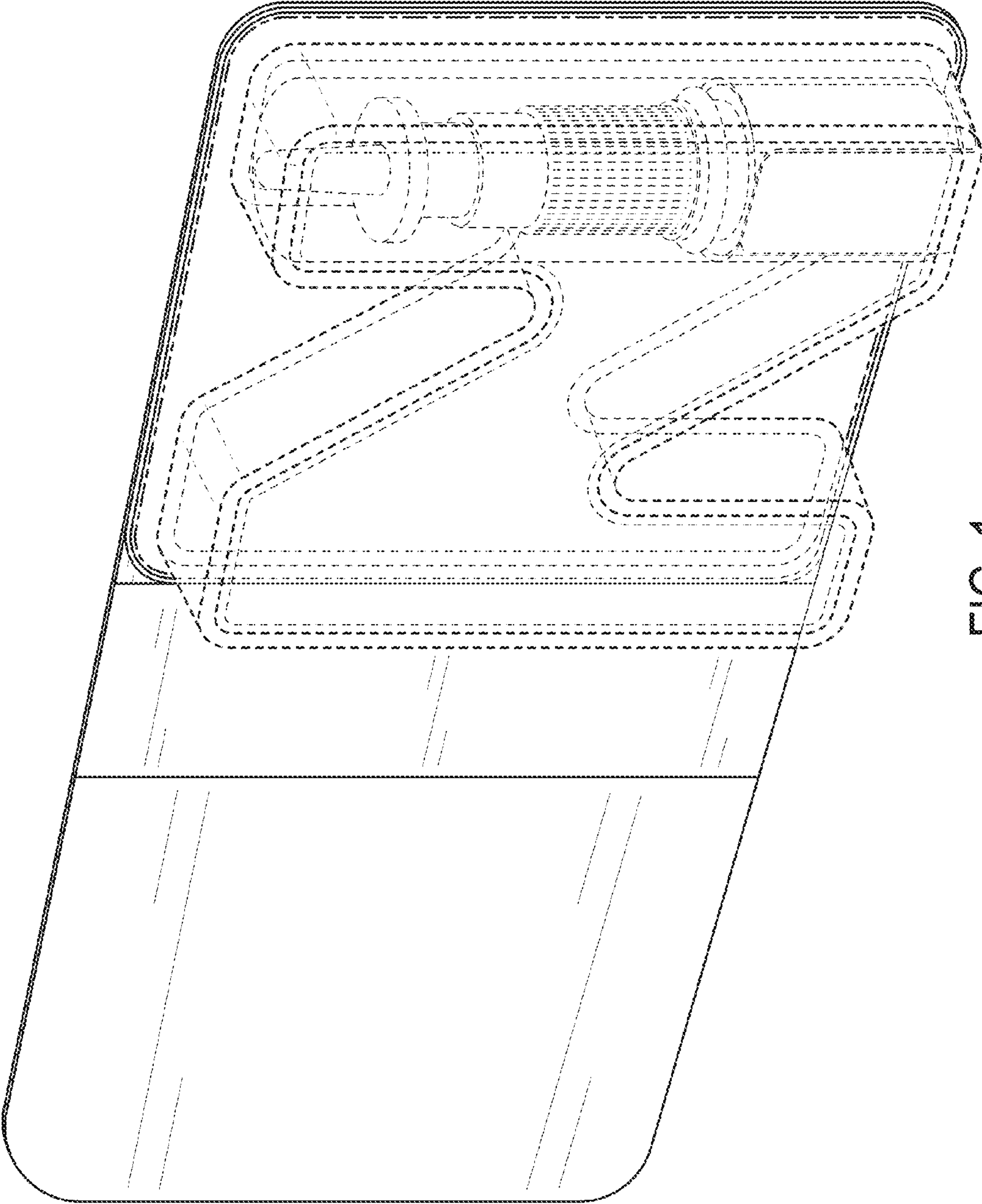


FIG. 1

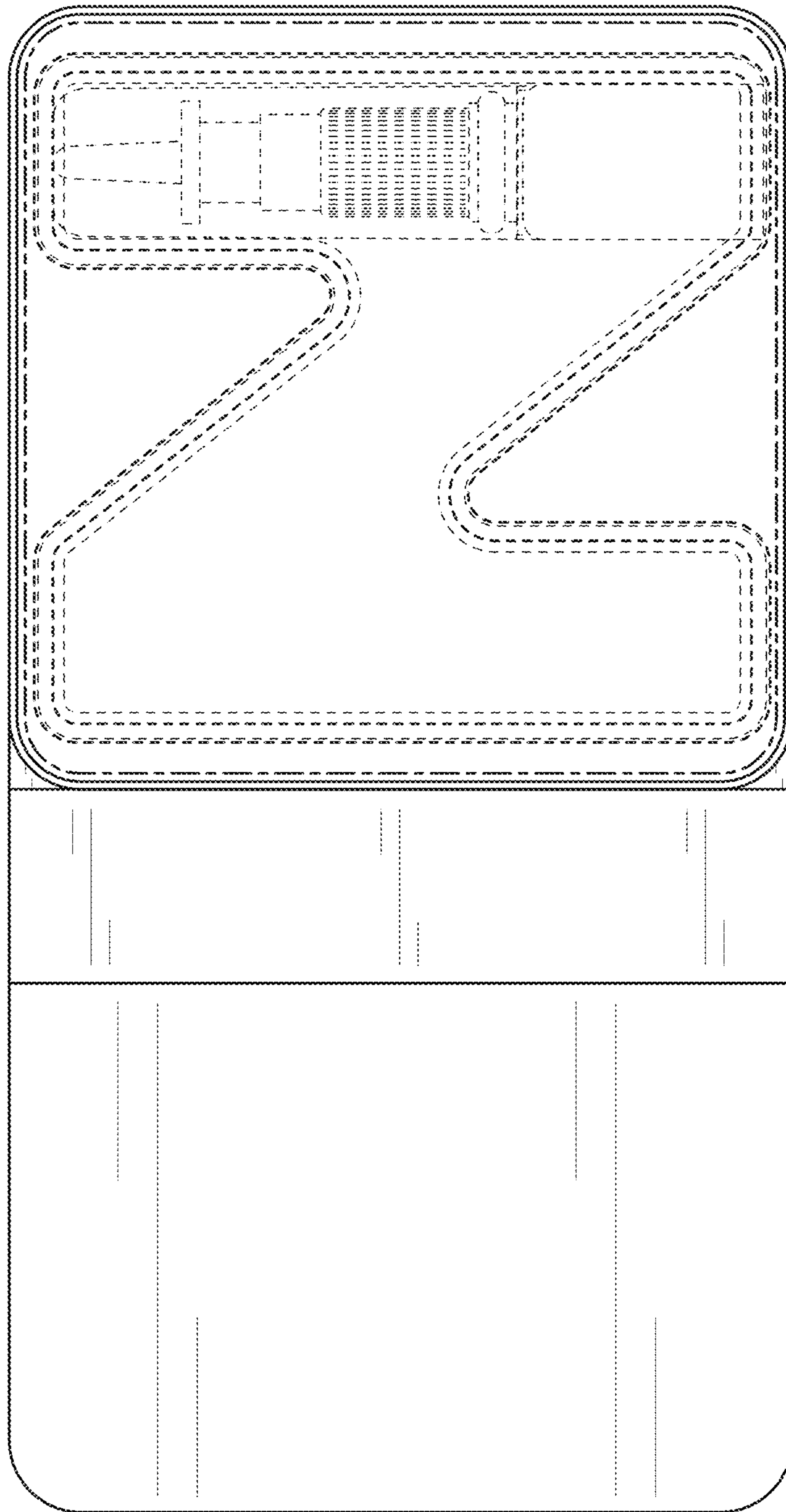


FIG. 2

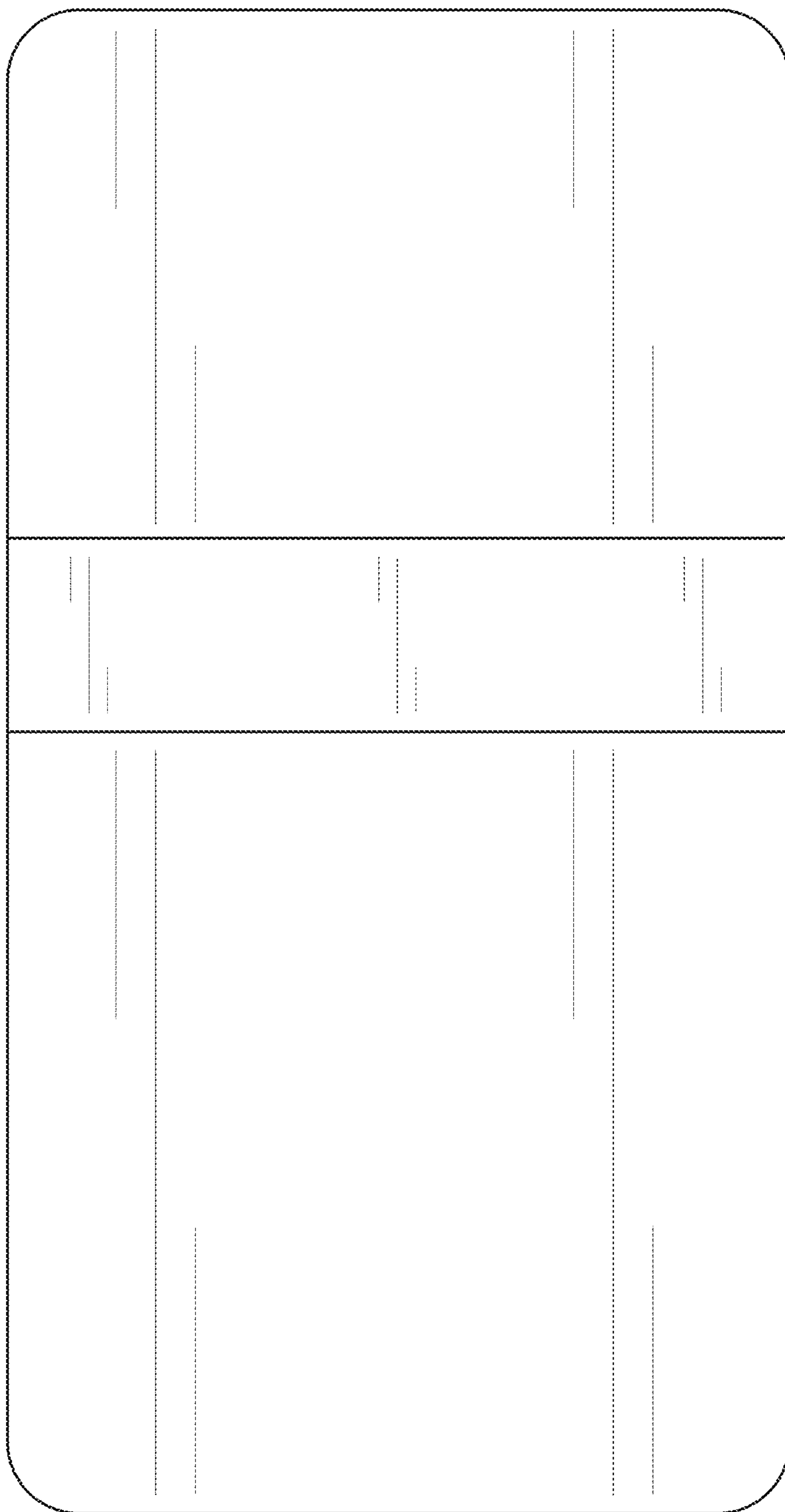


FIG. 3

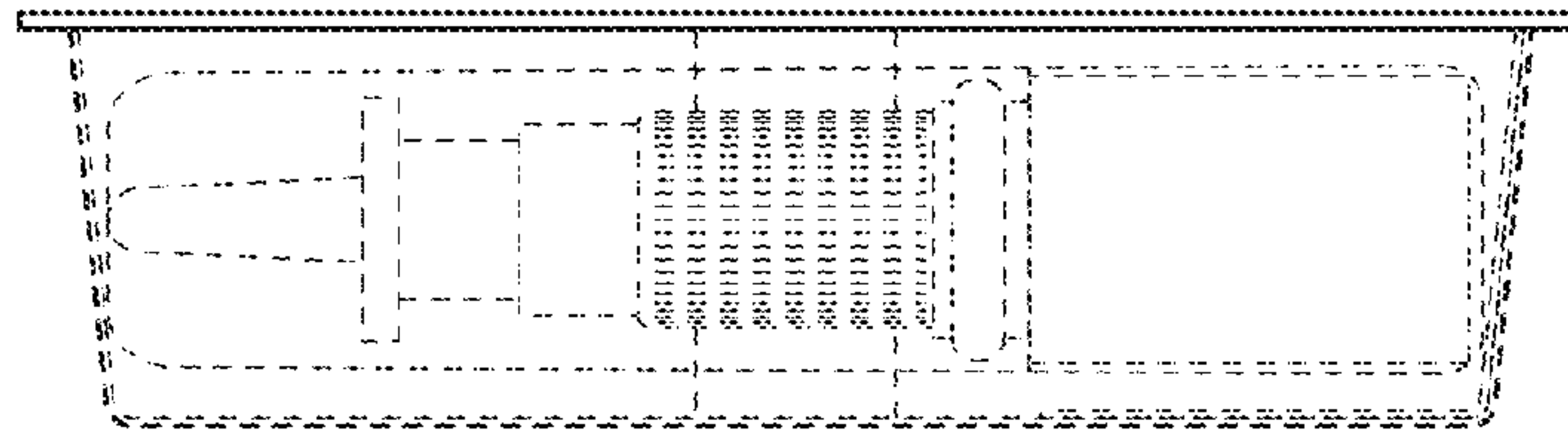


FIG. 5

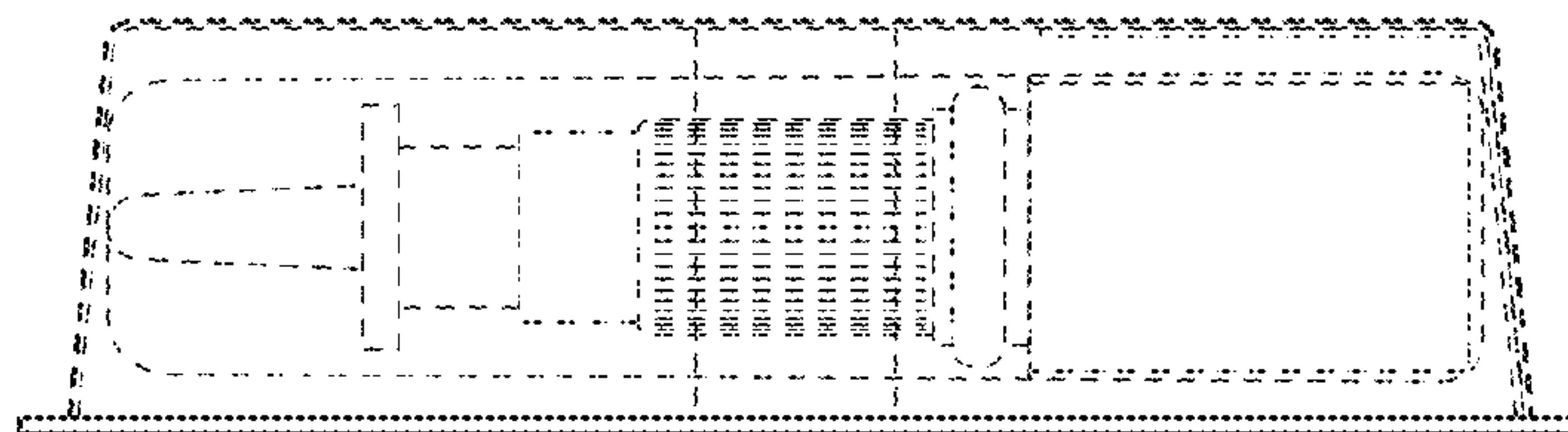


FIG. 4

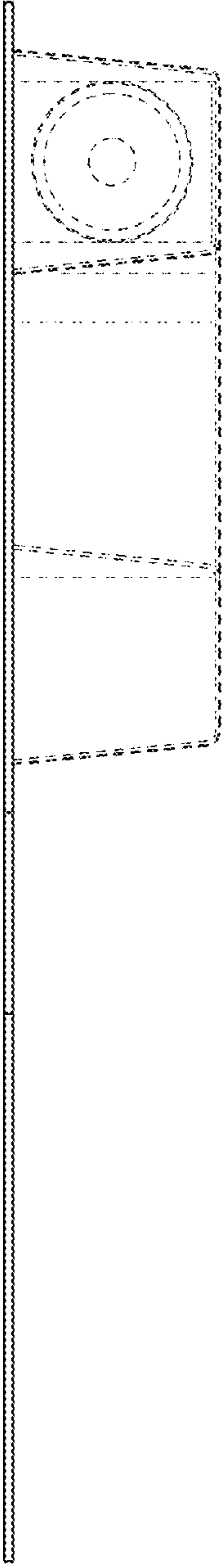


FIG. 6

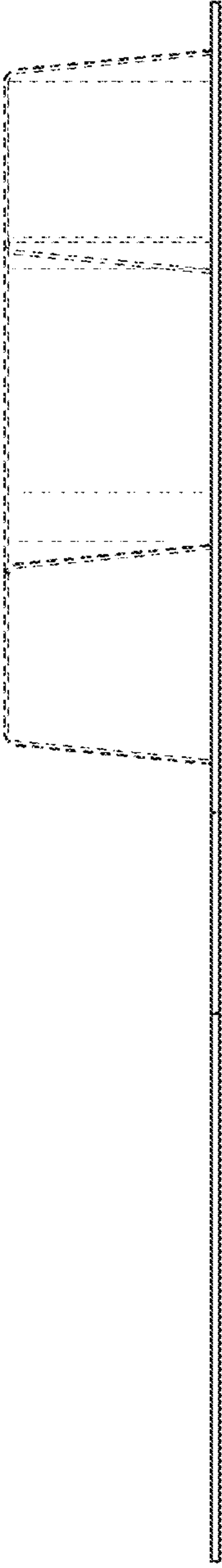


FIG. 7

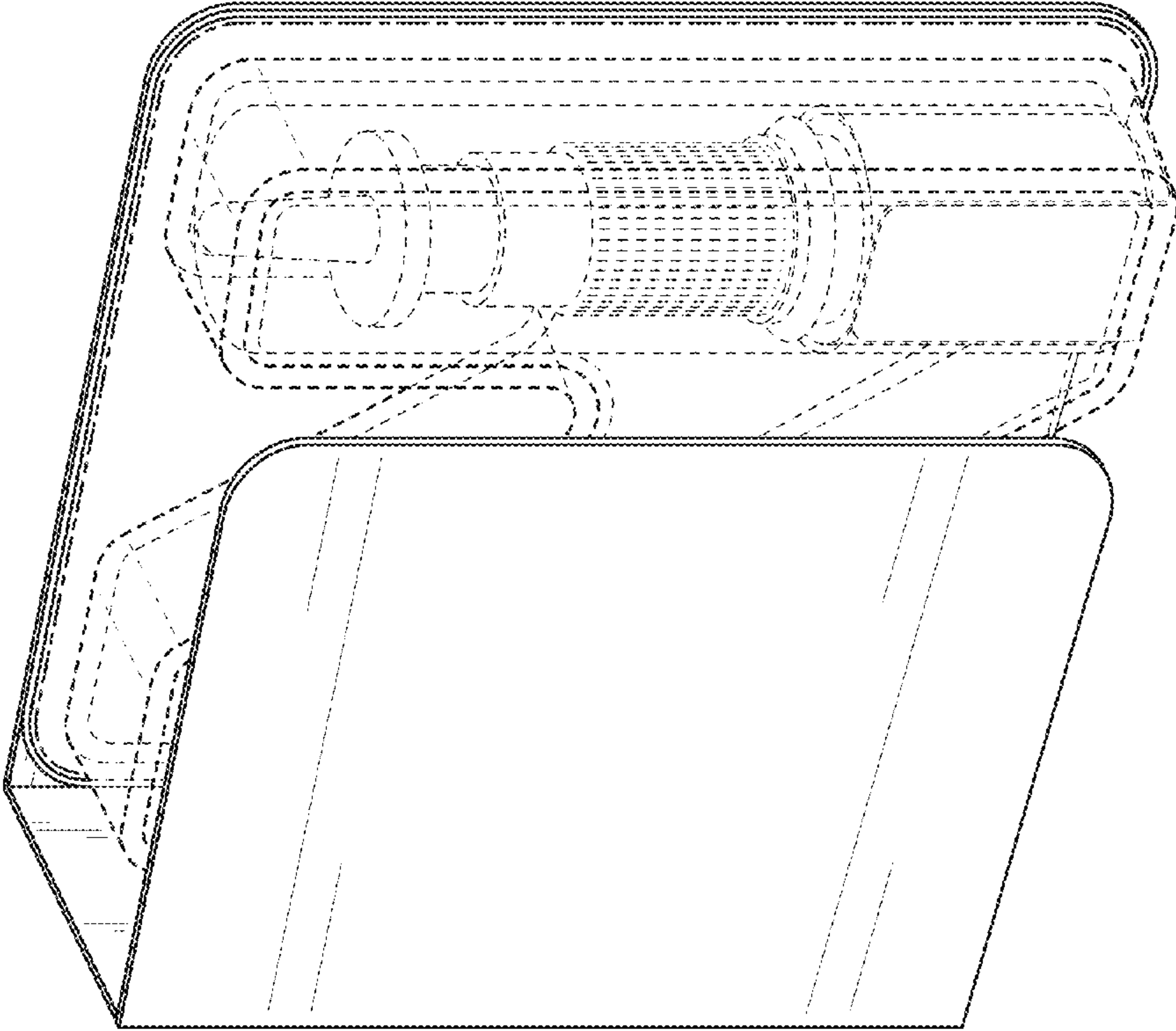


FIG. 8

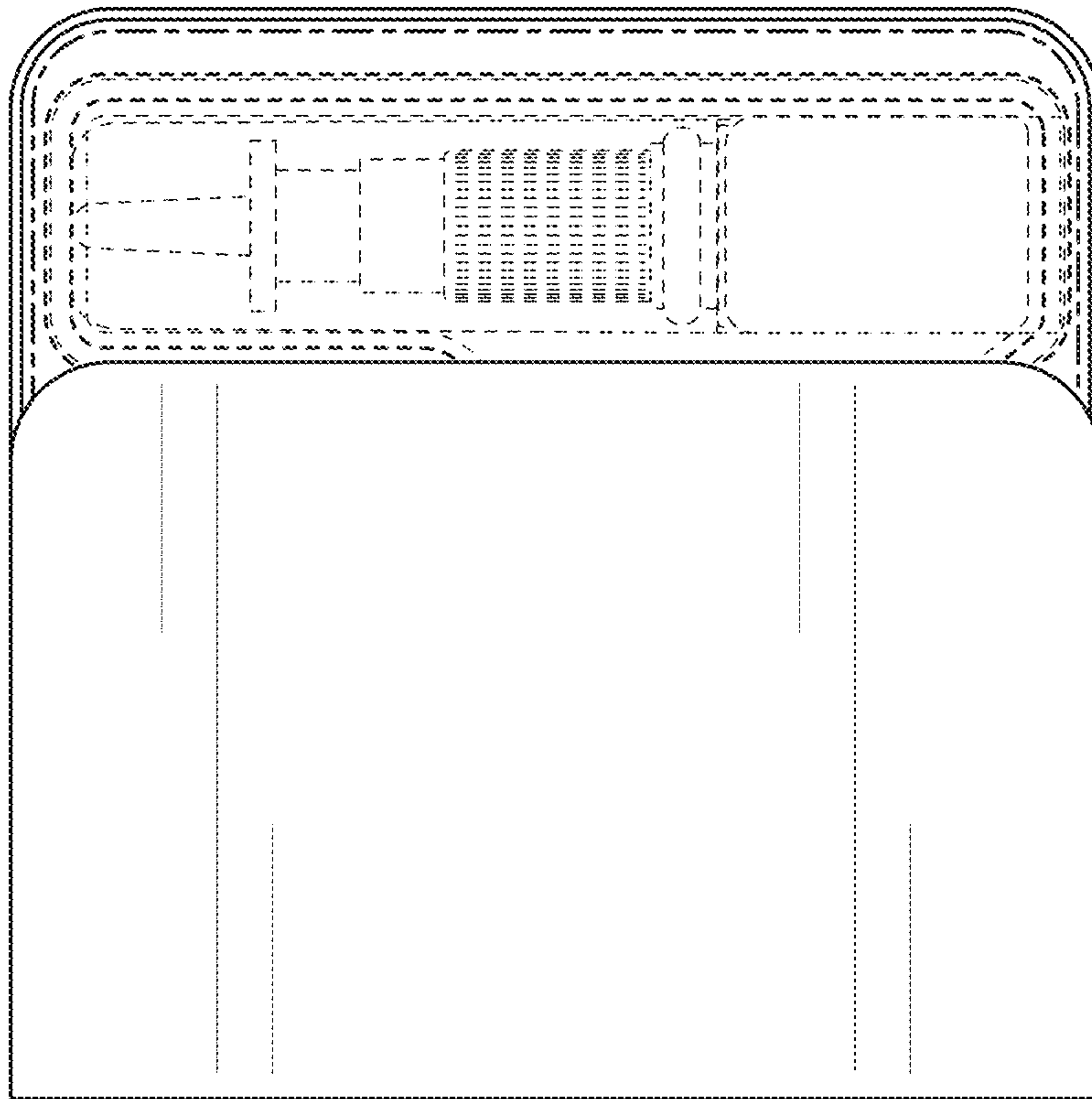


FIG. 9