



US00D724431S

(12) **United States Design Patent**  
**De Los Rios**

(10) **Patent No.:** **US D724,431 S**  
(45) **Date of Patent:** **\*\* Mar. 17, 2015**

(54) **BOTTLE CAP**

(71) Applicant: **Miguel De Los Rios**, Los Angeles, CA  
(US)

(72) Inventor: **Miguel De Los Rios**, Los Angeles, CA  
(US)

(\*\*) Term: **14 Years**

(21) Appl. No.: **29/465,161**

(22) Filed: **Aug. 23, 2013**

(51) **LOC (10) Cl.** ..... **09-07**

(52) **U.S. Cl.**  
USPC ..... **D9/454; D9/441**

(58) **Field of Classification Search**  
USPC ..... D7/510, 511; D9/434, 353, 439, 440,  
D9/447, 449, 454, 500, 503, 505; 215/294;  
220/288, 703, 704, 717, 789  
See application file for complete search history.

(56) **References Cited**

**U.S. PATENT DOCUMENTS**

194,924	A *	9/1877	Murphy	.....	215/361
488,614	A *	12/1892	Pfeiffer	.....	215/355
D34,955	S *	8/1901	Thatcher	.....	D9/439
D45,242	S *	2/1914	Schulhoff	.....	D9/439
D53,746	S *	8/1919	Moore	.....	D9/439
D157,254	S *	2/1950	Gruber	.....	D9/439
D207,356	S *	4/1967	McCormick	.....	D9/439
D240,021	S *	5/1976	Lawhead	.....	D9/439
D309,564	S *	7/1990	Rayner	.....	D9/435

D321,477	S *	11/1991	Gunter	.....	D9/503
D349,648	S *	8/1994	Tirrell et al.	.....	D9/439
D448,294	S *	9/2001	Alscher et al.	.....	D9/435
D451,806	S *	12/2001	Stalder	.....	D9/503
D505,074	S *	5/2005	Bakic	.....	D9/504
D620,358	S *	7/2010	Jewett et al.	.....	D9/454
D708,945	S *	7/2014	Jetmar	.....	D9/439
2005/0211579	A1 *	9/2005	Makita	.....	206/219
2010/0206836	A1 *	8/2010	Koshidaka et al.	.....	215/355

\* cited by examiner

*Primary Examiner* — Robert M Spear  
*Assistant Examiner* — Darcey E Heflin  
(74) *Attorney, Agent, or Firm* — Cislo & Thomas, LLP;  
Kelly W. Cunningham, Esq.

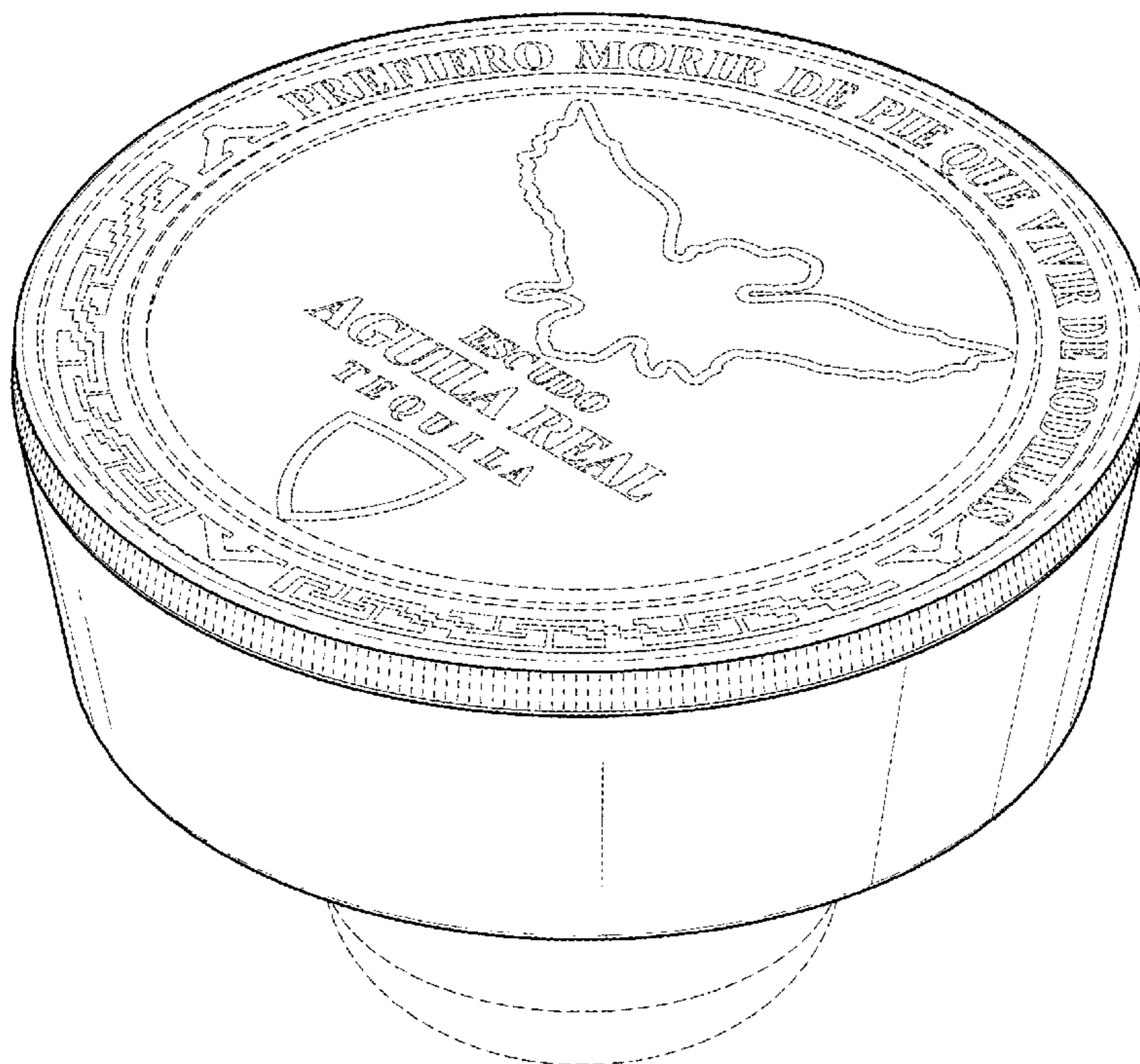
(57) **CLAIM**

I claim the ornamental design for a bottle cap, as shown and described.

**DESCRIPTION**

FIG. 1. Is a perspective view of one embodiment of my bottle cap;  
FIG. 2. Is a right side view thereof;  
FIG. 3. Is a left side view thereof;  
FIG. 4. Is a front side view thereof;  
FIG. 5. is a back side view thereof;  
FIG. 6. Is a top view thereof; and,  
FIG. 7. Is a bottom side view thereof.  
The broken lines show portions of the bottle cap that form no part of the claimed design.

**1 Claim, 5 Drawing Sheets**



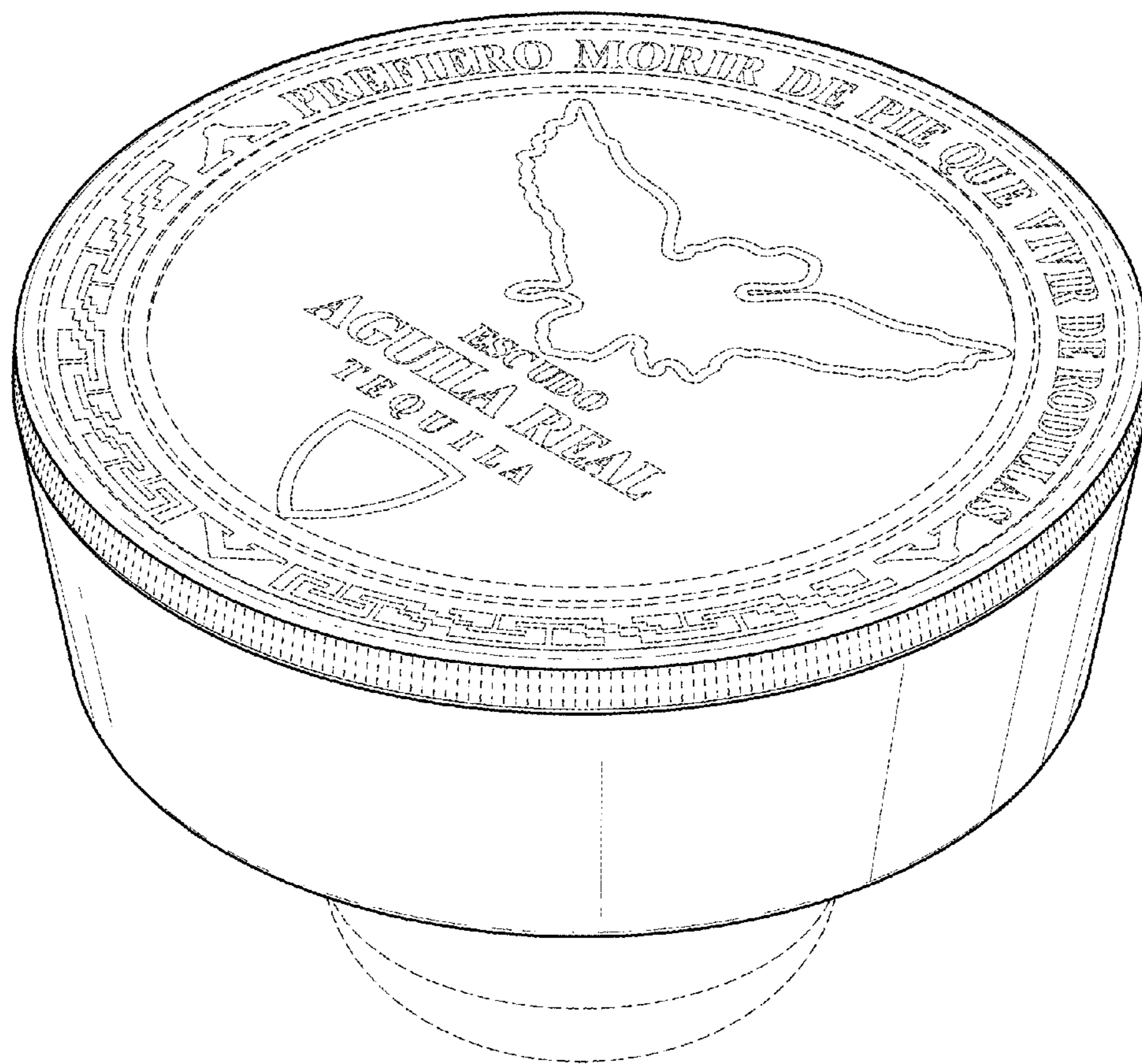


FIG. 1

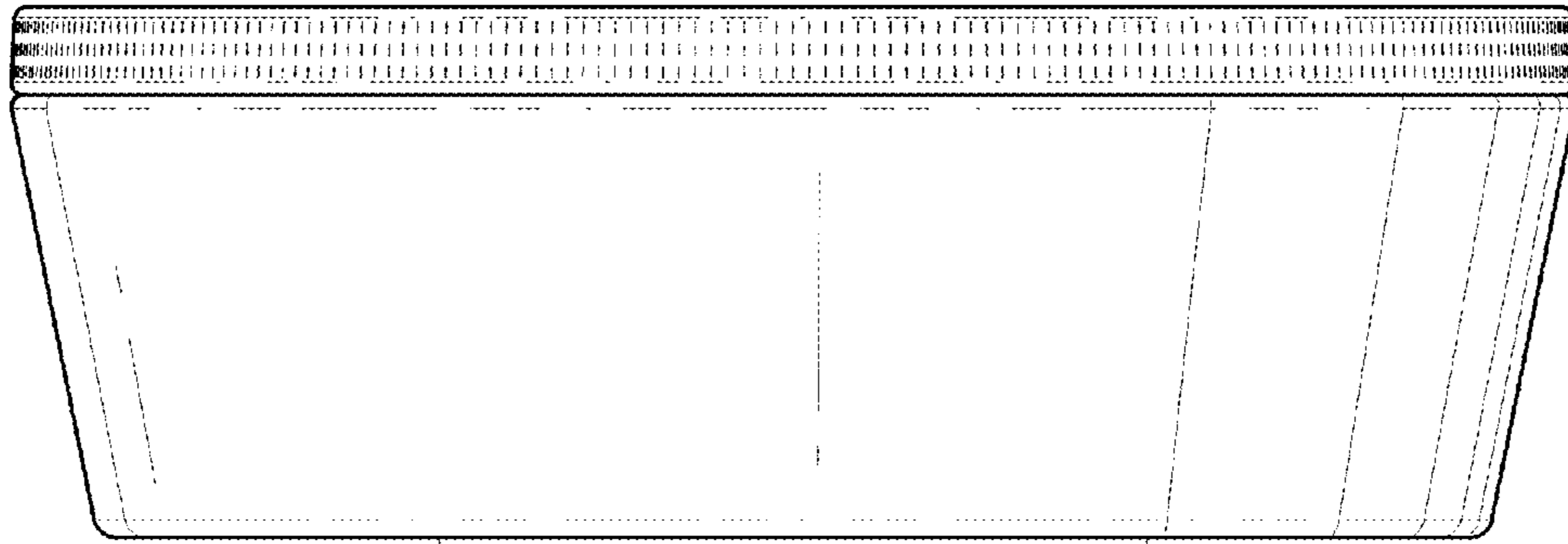


FIG. 2

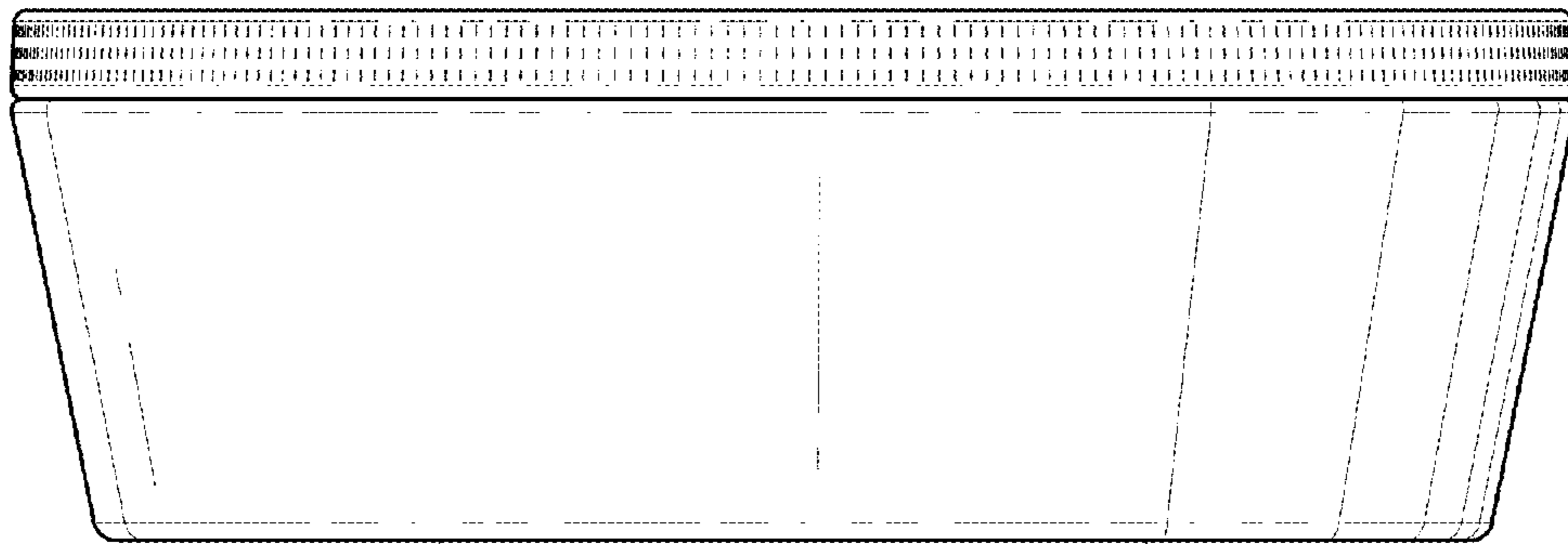


FIG. 3

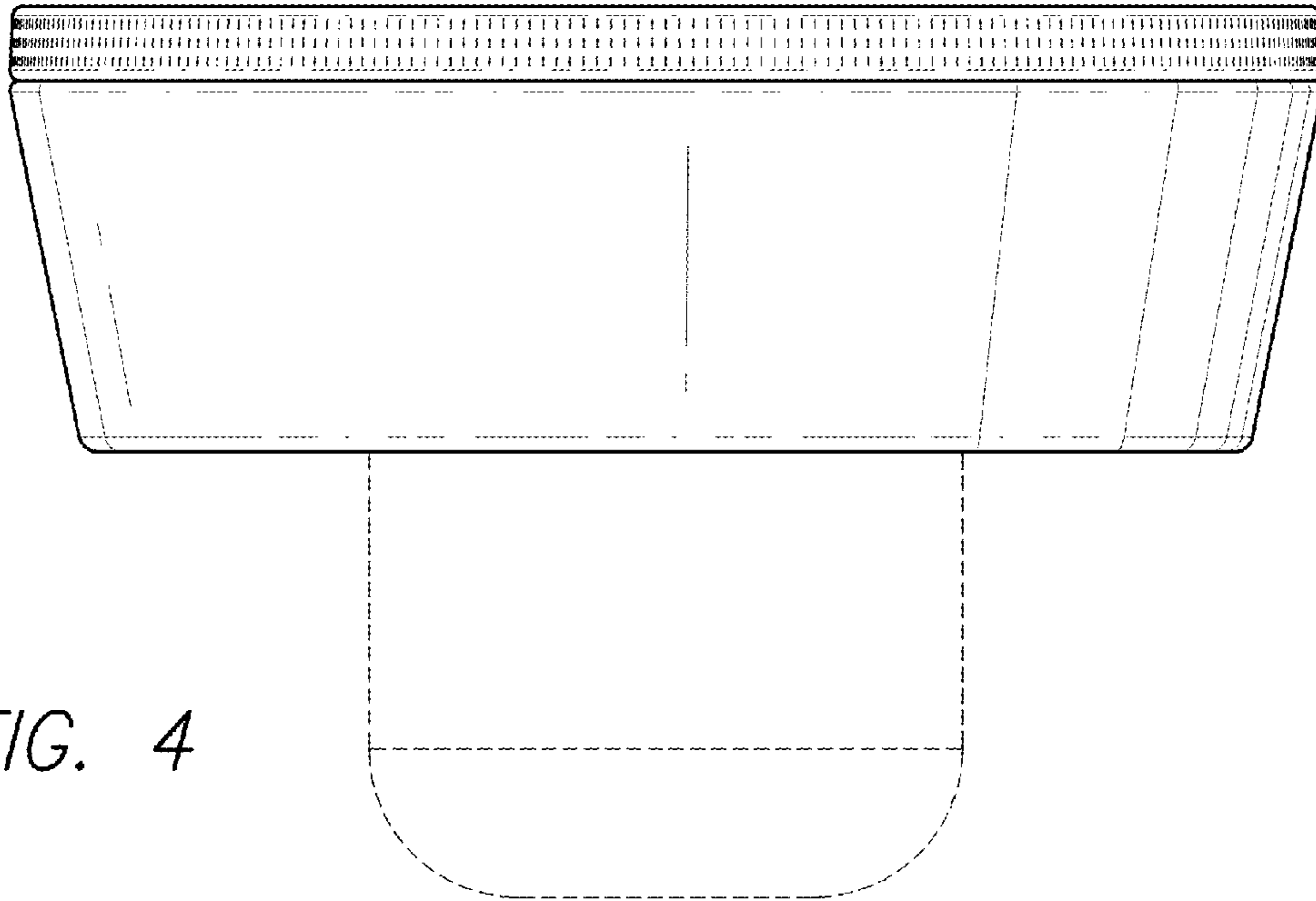


FIG. 4

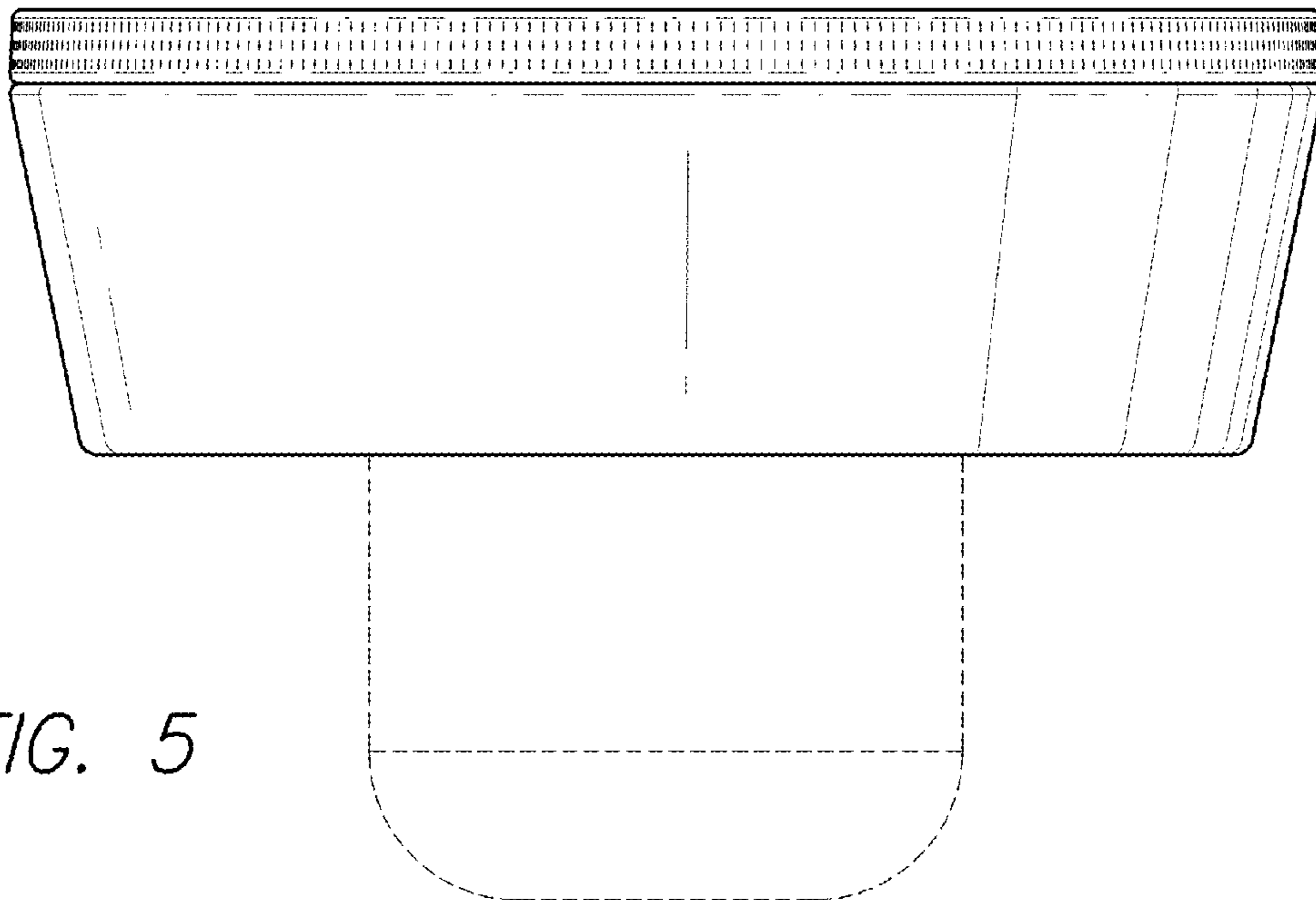


FIG. 5



FIG. 6

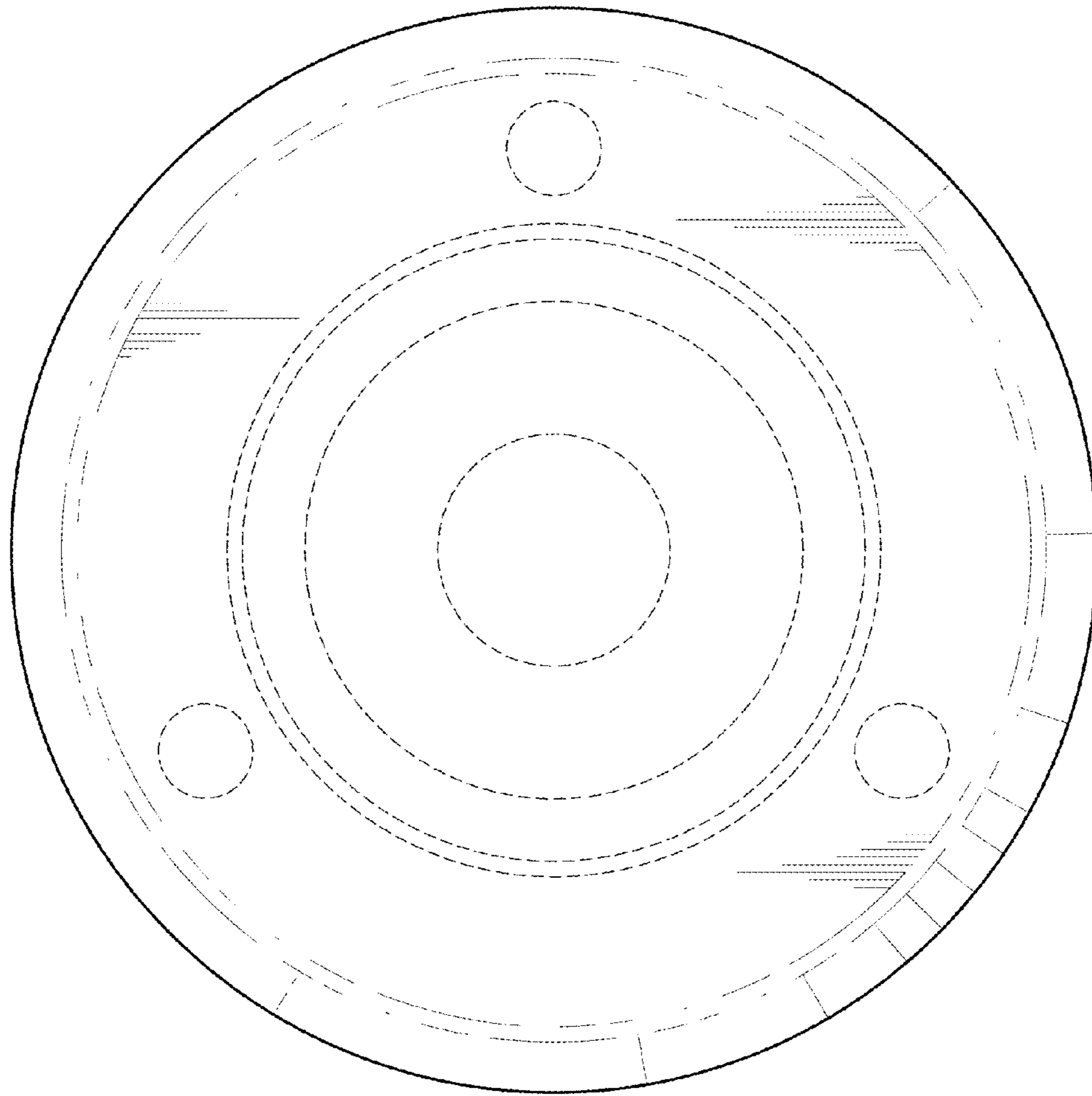


FIG. 7