



US00D724429S

(12) **United States Design Patent**  
**Weber, Sr. et al.**

(10) **Patent No.:** **US D724,429 S**  
(45) **Date of Patent:** **\*\* Mar. 17, 2015**

(54) **FLEXIBLE BAG LIFT**

(71) Applicants: **James P. Weber, Sr.**, Whitehall, OH  
(US); **James V. Kilmer**, Pittsburgh, PA  
(US)

(72) Inventors: **James P. Weber, Sr.**, Whitehall, OH  
(US); **James V. Kilmer**, Pittsburgh, PA  
(US)

(\*\*) Term: **14 Years**

(21) Appl. No.: **29/484,597**

(22) Filed: **Mar. 11, 2014**

(51) **LOC (10) Cl.** ..... **09-07**

(52) **U.S. Cl.**  
USPC ..... **D9/434**

(58) **Field of Classification Search**  
USPC ..... D7/300, 321, 392.1, 396.1, 396.2, 500,  
D7/507, 509, 510, 511, 900; D9/434-455,  
D9/524, 682, 685, 694, 695, 697, 723;  
D28/63, 76; 215/200, 235, 236, 252,  
215/254, 329, 355-364;  
220/203.04-203.07, 220, 254.1, 254.4,  
220/556, 703-705; 294/137, 170; D3/328  
See application file for complete search history.

(56) **References Cited**

**U.S. PATENT DOCUMENTS**

D18,036	S	*	2/1888	Benedict	.....	D9/434
824,904	A	*	7/1906	Cammett	.....	294/166
1,918,486	A		7/1933	Onos		
2,011,127	A		8/1935	Tait et al.		
2,652,715	A		9/1953	Looze		
D244,354	S	*	5/1977	Green et al.	.....	D9/447
4,109,952	A		8/1978	Monzain		
4,666,203	A	*	5/1987	Castro	.....	294/170
D303,216	S	*	9/1989	Hoffman et al.	.....	D9/434
5,651,575	A	*	7/1997	Bystrom et al.	.....	294/171
D391,851	S	*	3/1998	Joergensen	.....	D9/434

D395,920	S	*	7/1998	Kleinpell, II	.....	D19/65
D400,439	S	*	11/1998	Dawson	.....	D9/434
D407,310	S	*	3/1999	DuCorday	.....	D9/443
D412,116	S	*	7/1999	DuCorday	.....	D9/443
D420,912	S	*	2/2000	Vaught	.....	D9/435
D462,524	S		9/2002	Berke et al.		
D463,128	S		9/2002	Berke et al.		
D467,178	S	*	12/2002	Drapeau	.....	D9/455
7,240,934	B2		7/2007	Lausell		
8,083,275	B2		12/2011	Myhre et al.		
2009/0315353	A1		12/2009	Bierman		

\* cited by examiner

*Primary Examiner* — Robert M Spear

*Assistant Examiner* — Marissa J Cash

(74) *Attorney, Agent, or Firm* — Sand & Sebolt

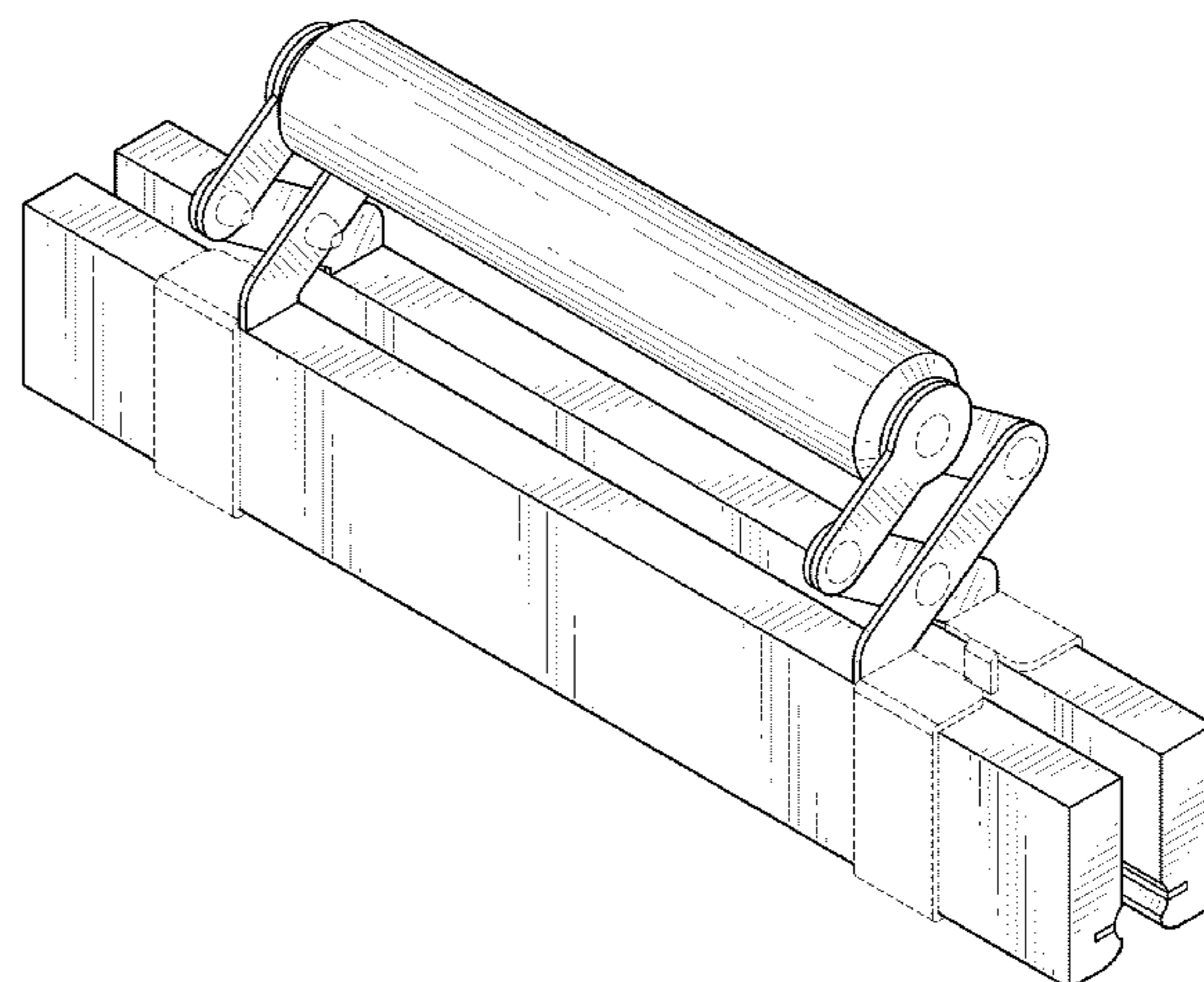
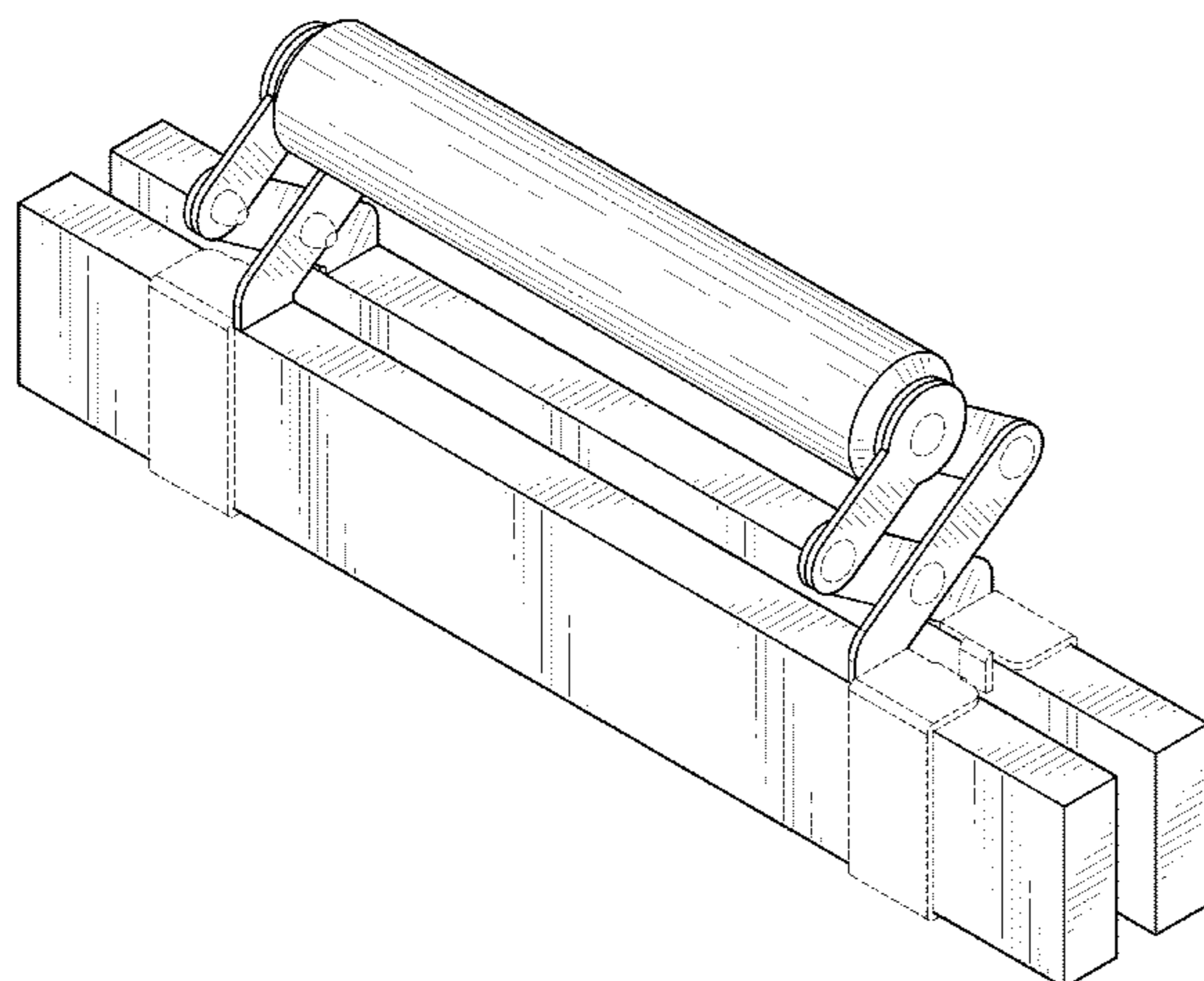
(57) **CLAIM**

The ornamental design for a flexible bag lift, as shown and described.

**DESCRIPTION**

FIG. 1 is a first embodiment of a perspective view of the flexible bag lift;  
 FIG. 2 is a top plan view;  
 FIG. 3 is a front elevation view;  
 FIG. 4 is a bottom plan view;  
 FIG. 5 is a back elevation view;  
 FIG. 6 is a left side elevation view; and  
 FIG. 7 is a right side elevation view.  
 FIG. 8 is a second embodiment of a perspective view of the flexible bag lift;  
 FIG. 9 is a top plan view;  
 FIG. 10 is a front elevation view;  
 FIG. 11 is a bottom plan view;  
 FIG. 12 is a back elevation view;  
 FIG. 13 is a left side elevation view; and,  
 FIG. 14 is a right side elevation view.  
 The broken lines in the drawings represent unclaimed environmental subject matter.

**1 Claim, 8 Drawing Sheets**



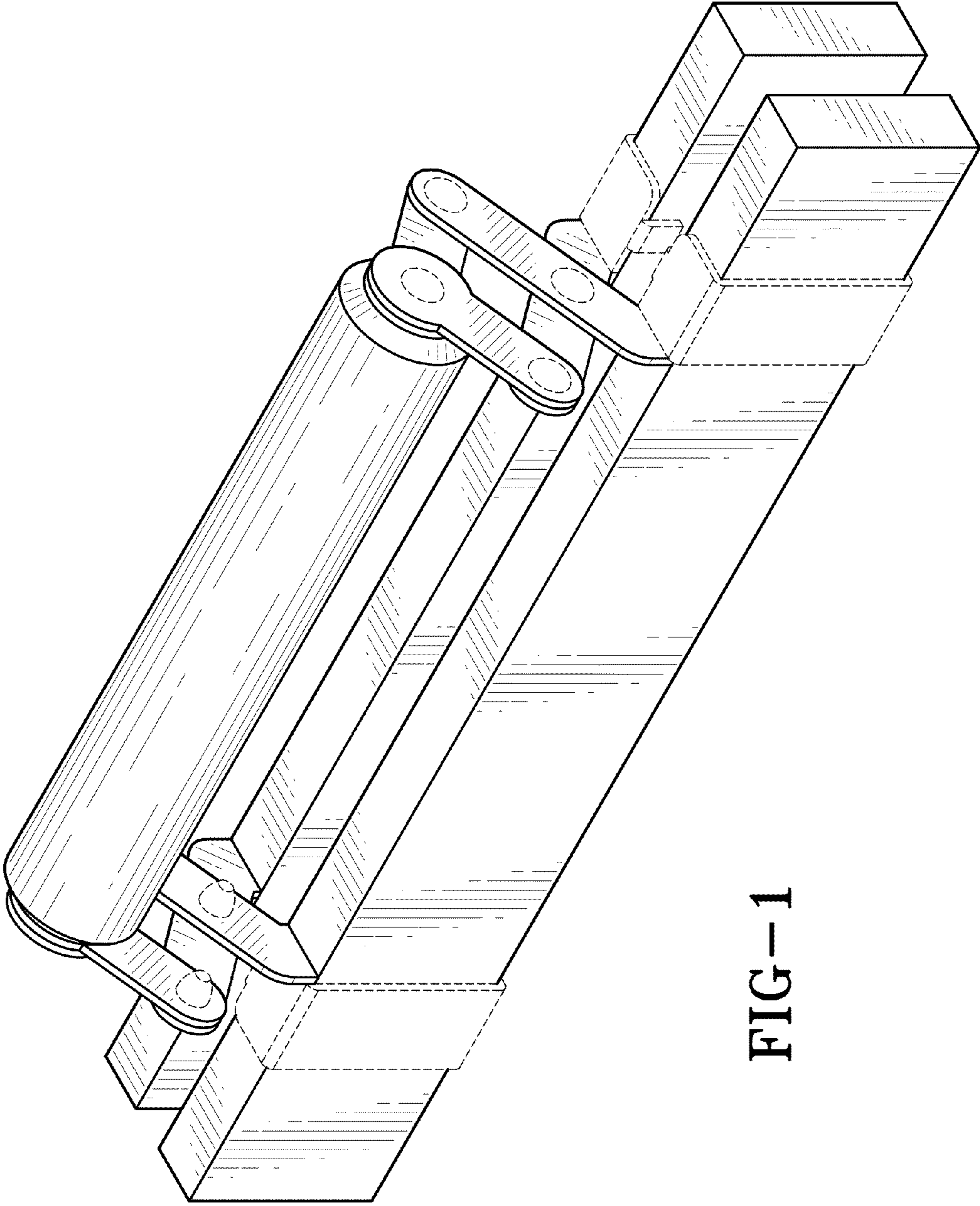


FIG-1

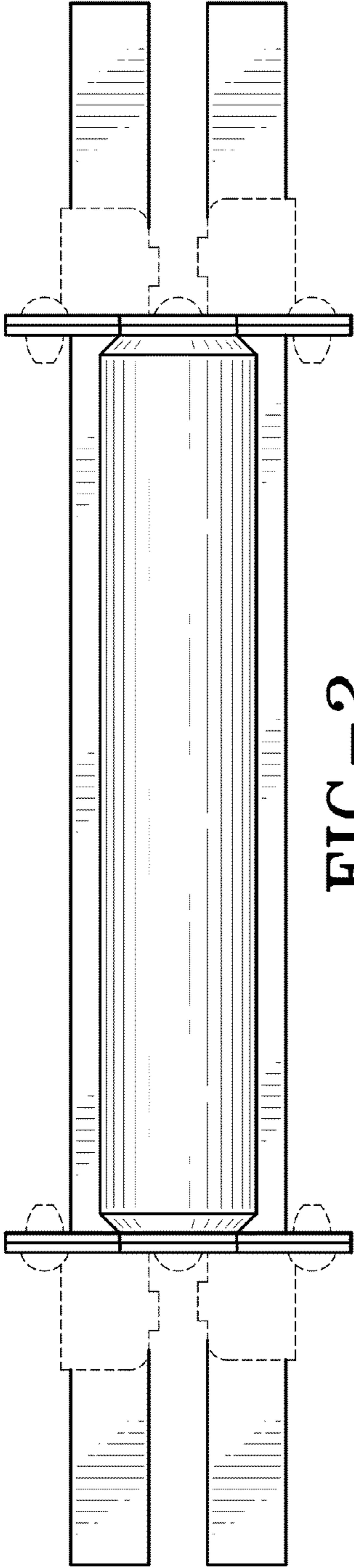


FIG-2

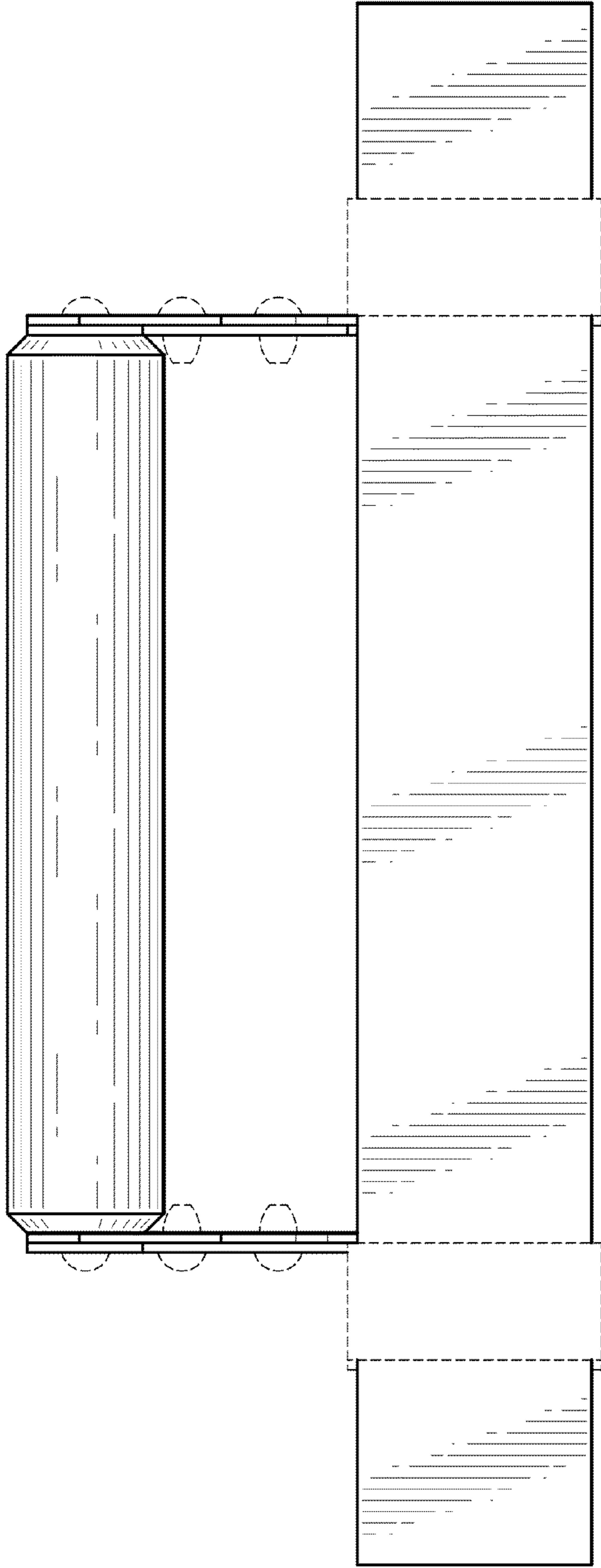


FIG-3



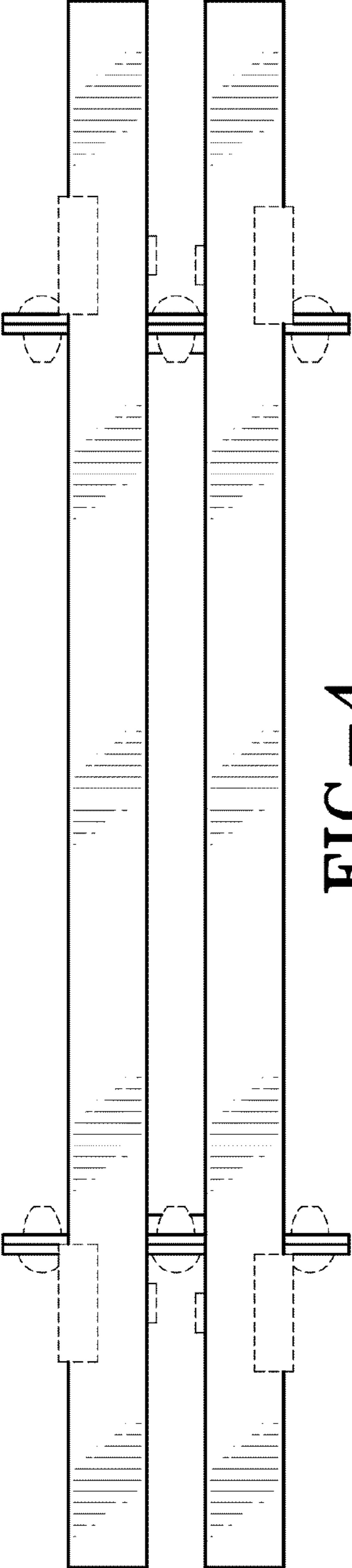


FIG-4

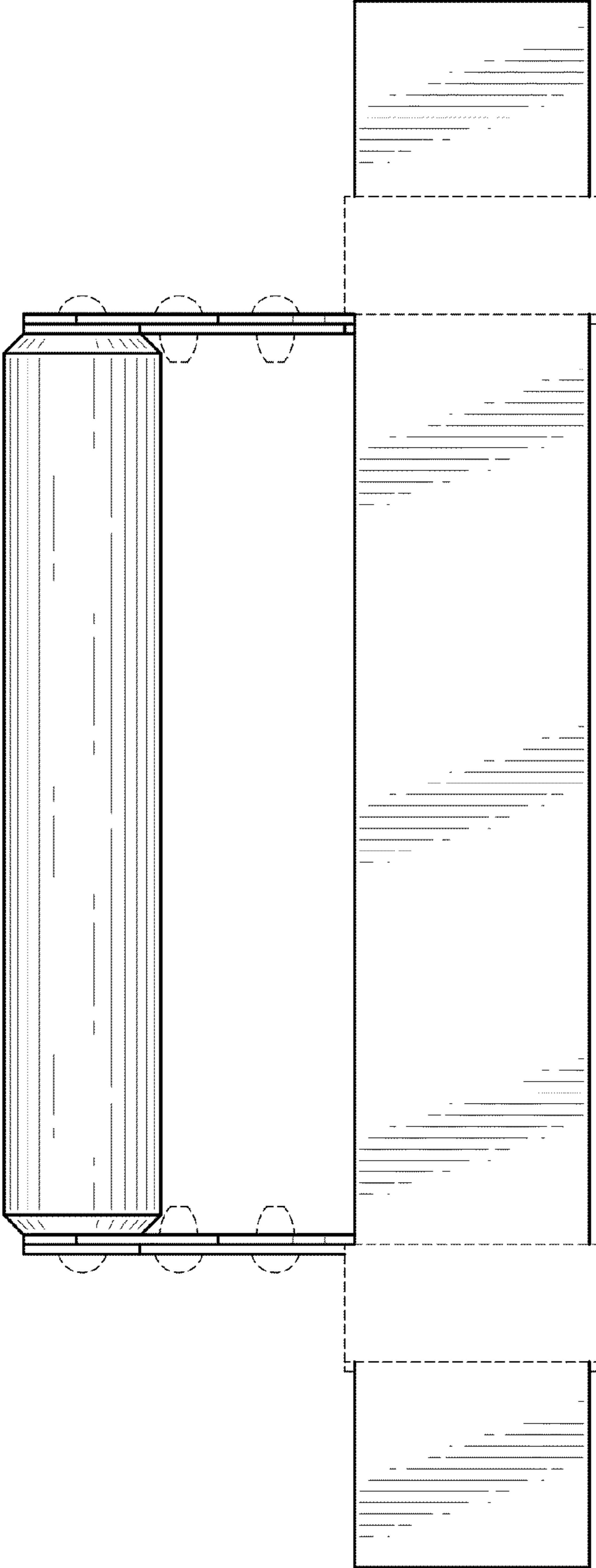


FIG-5

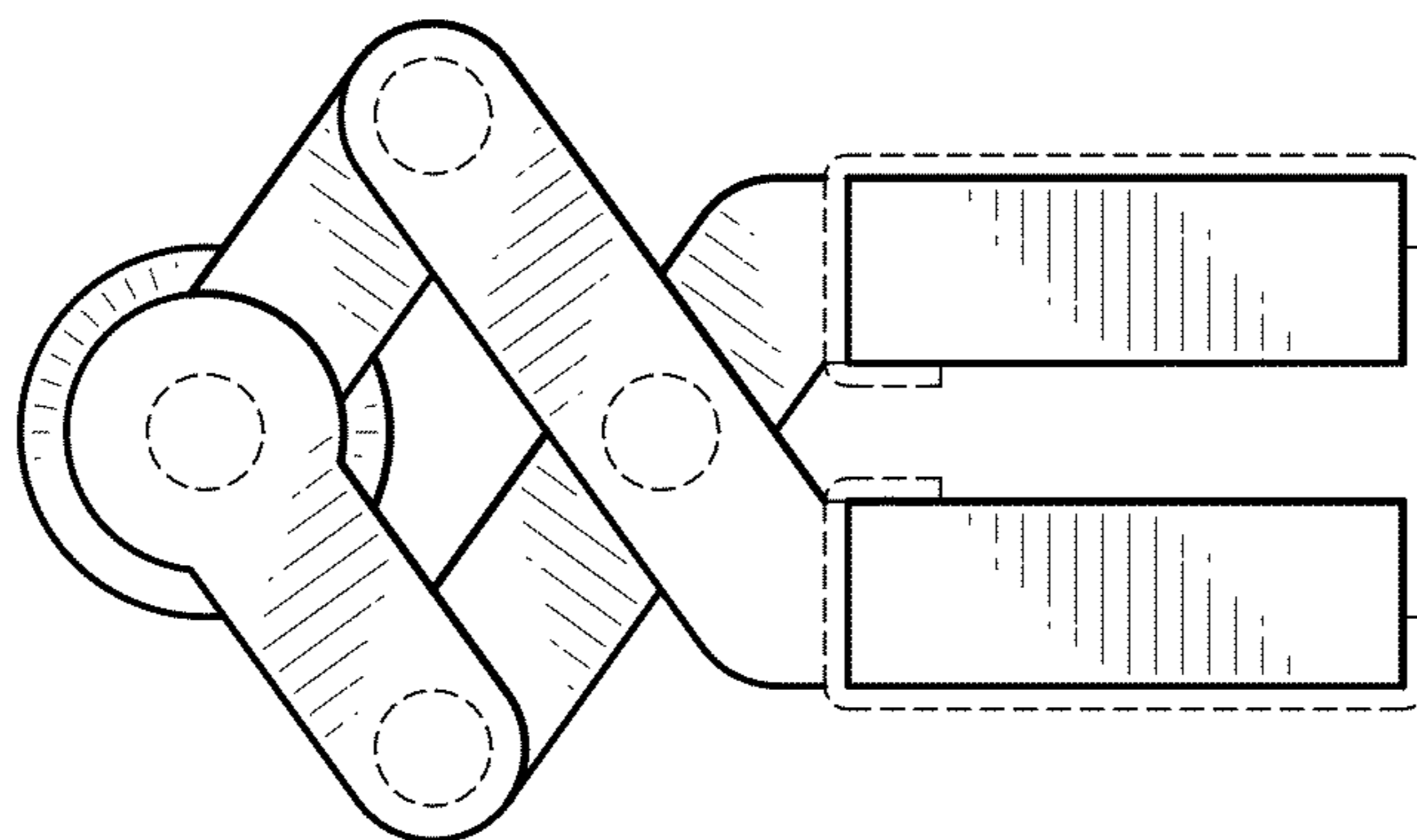


FIG-7

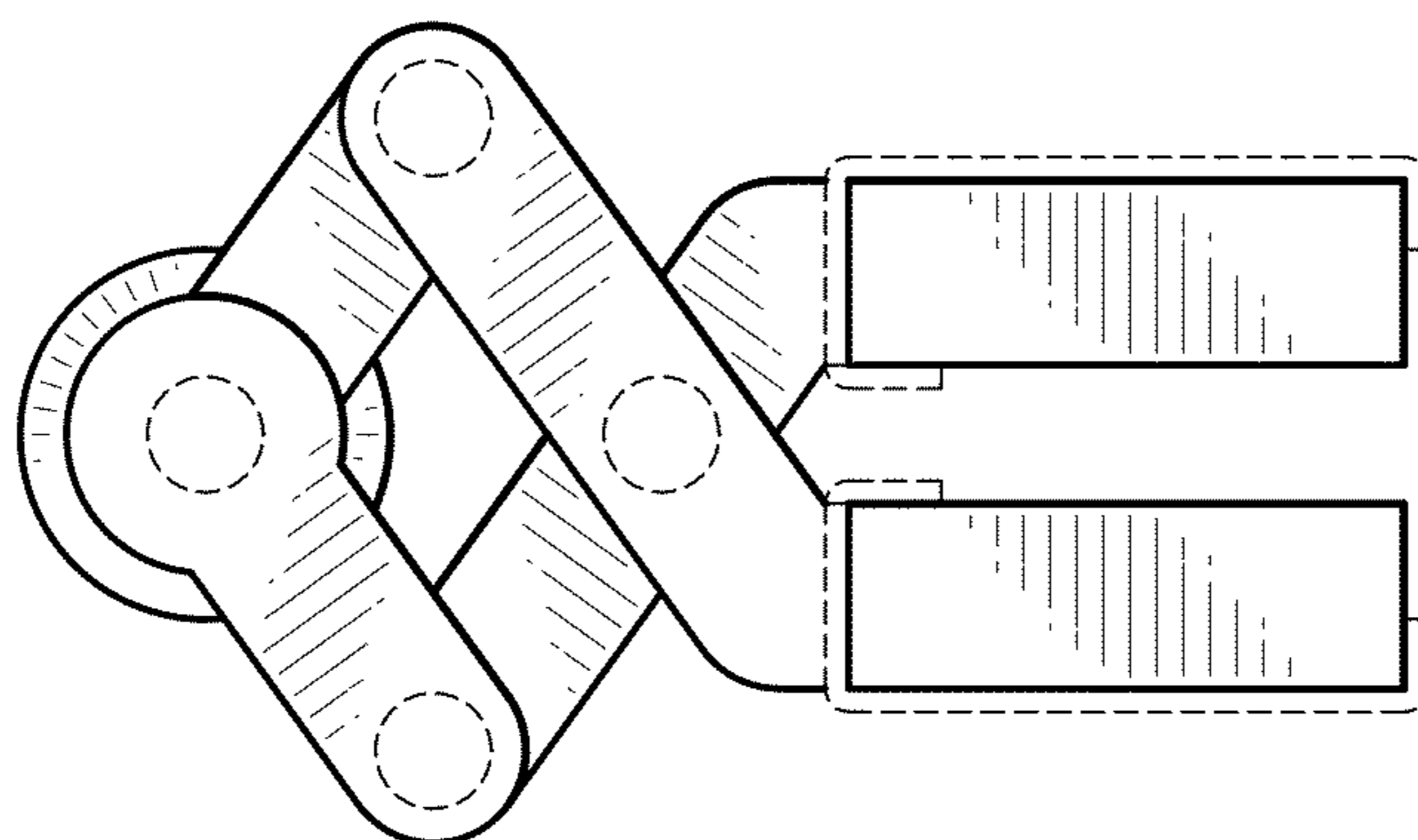


FIG-6

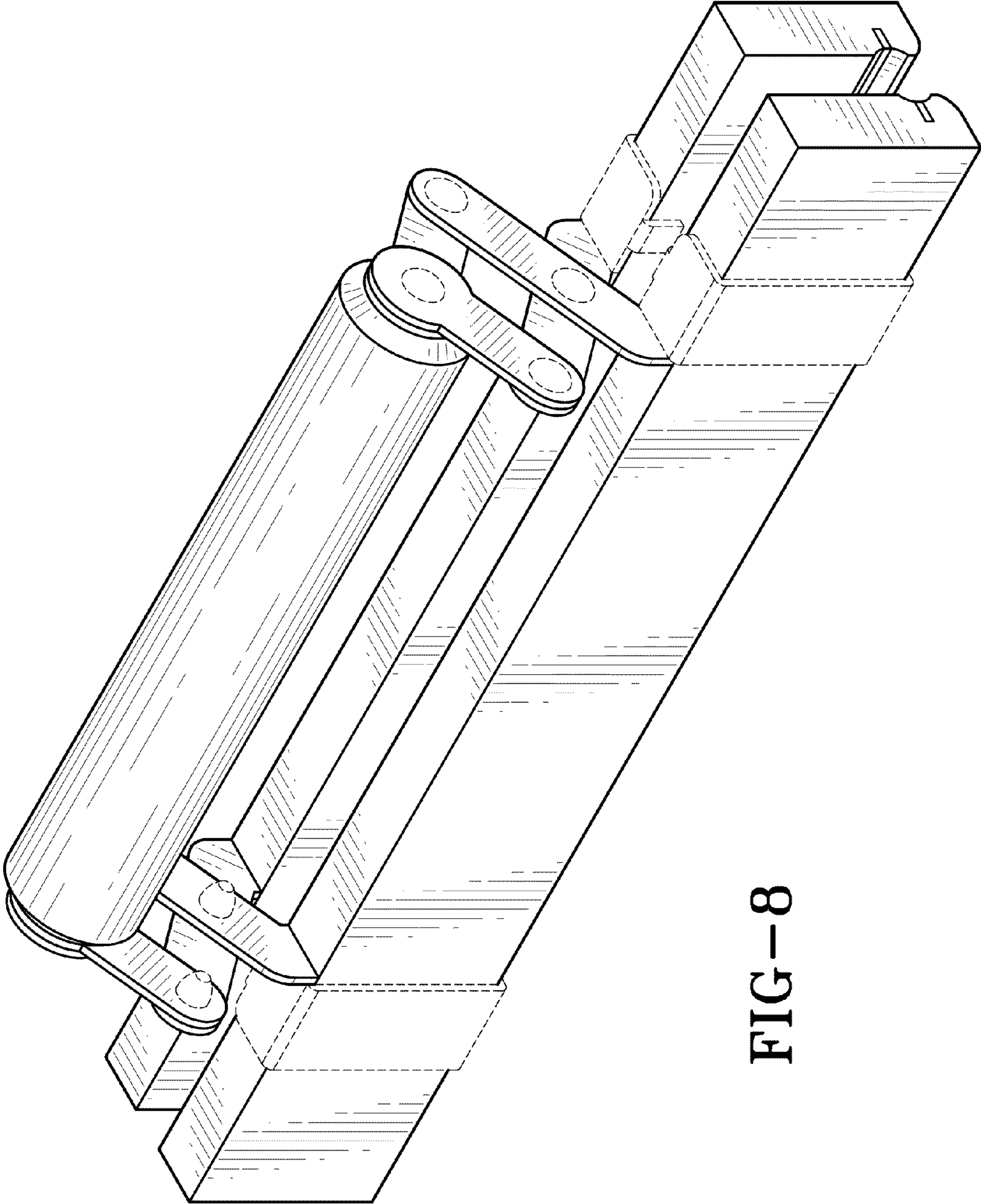


FIG-8

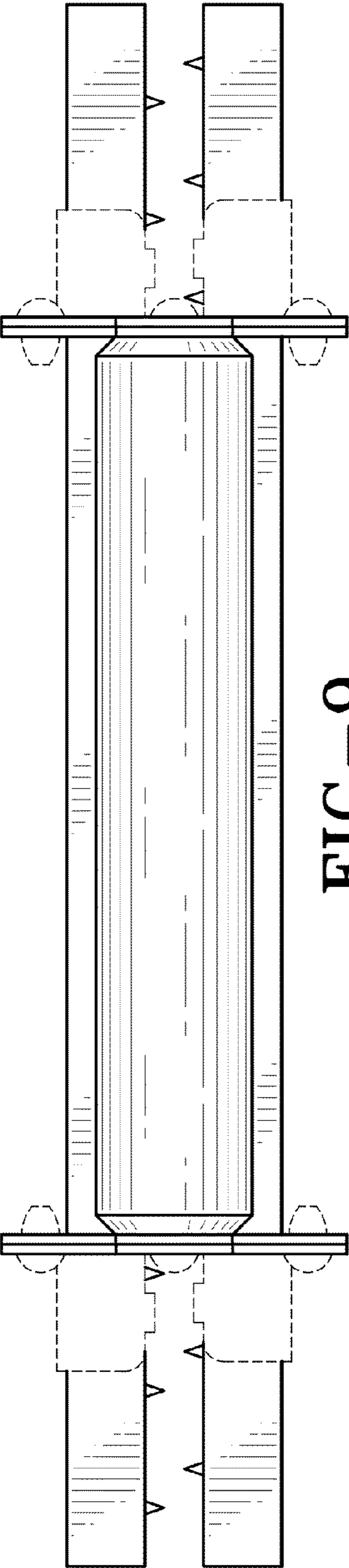


FIG-9

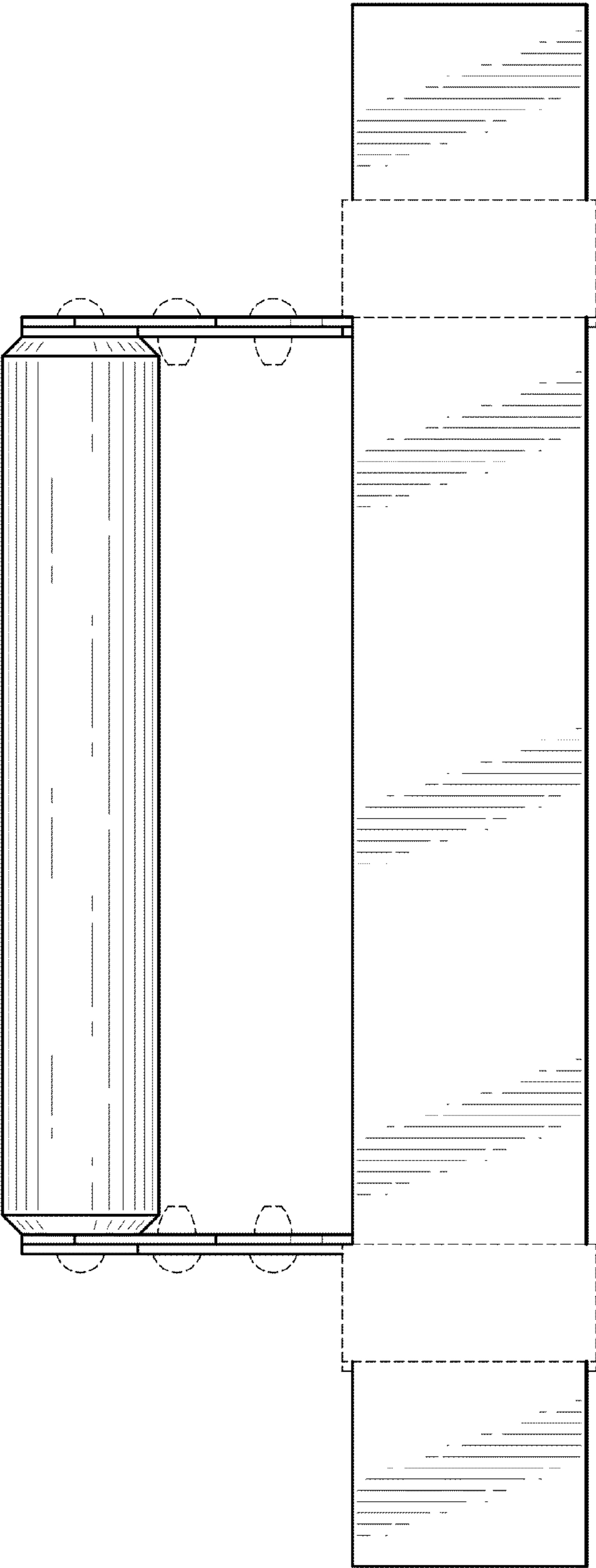
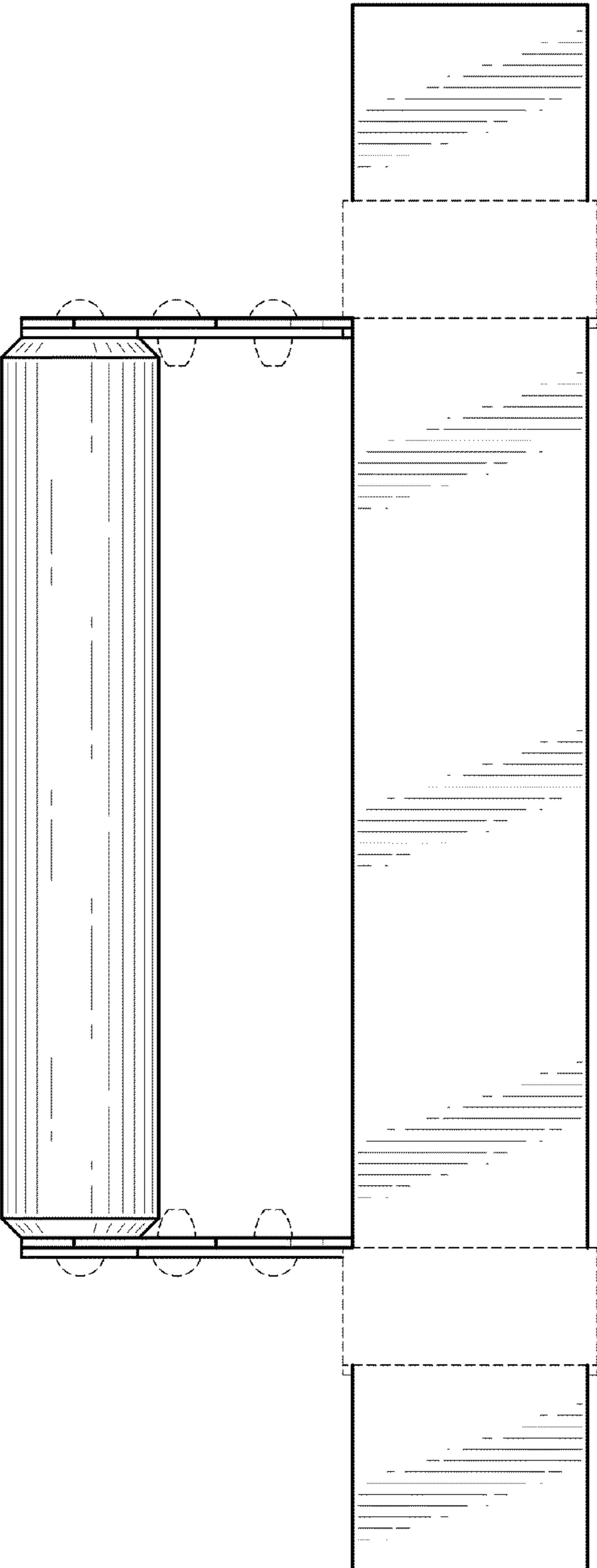
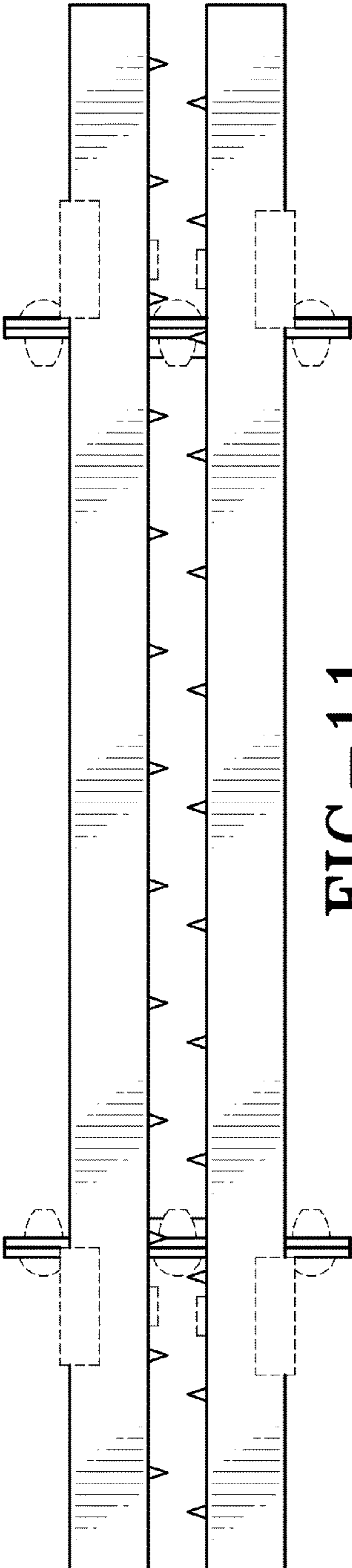


FIG-10





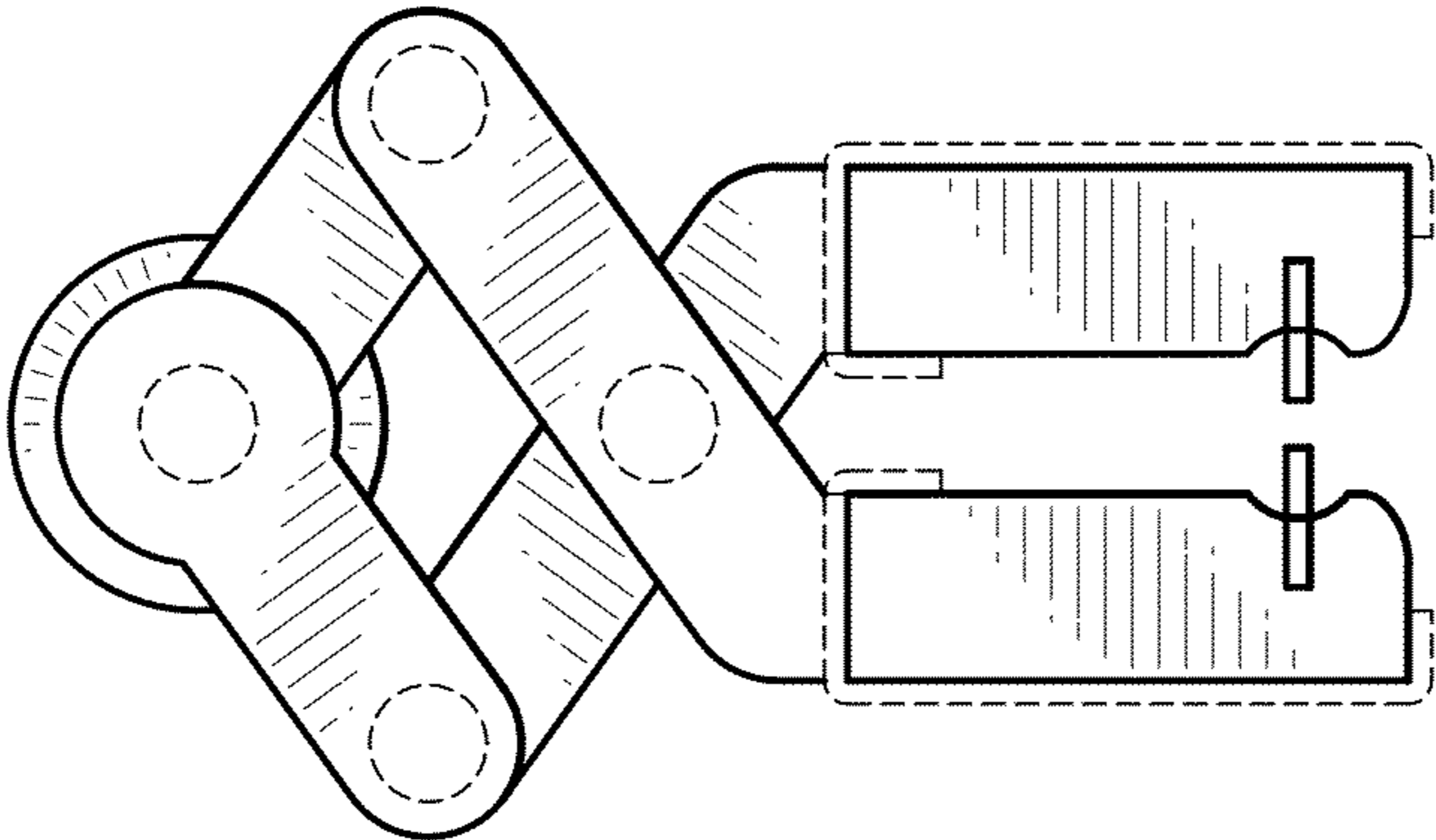


FIG-14

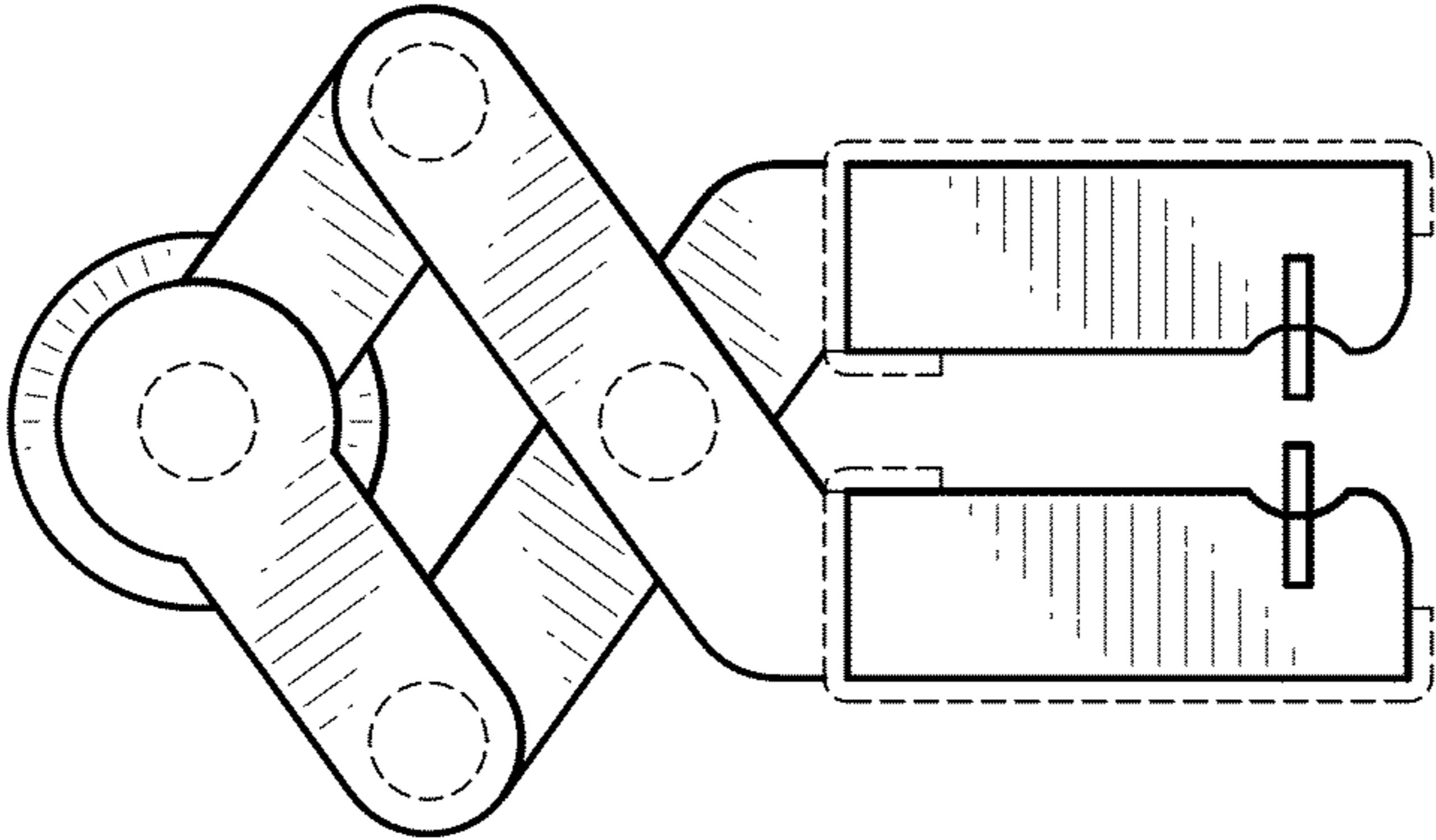


FIG-13