



US00D724428S

(12) **United States Design Patent**
DiFranza

(10) **Patent No.:** **US D724,428 S**

(45) **Date of Patent:** **** *Mar. 17, 2015**

- (54) **SHAVING PRODUCT PACKAGE**
- (71) Applicant: **The Gillette Company**, Boston, MA
(US)
- (72) Inventor: **Elizabeth Jackson DiFranza**, Arlington,
MA (US)
- (73) Assignee: **The Gillette Company**, Boston, MA
(US)
- (*) Notice: This patent is subject to a terminal dis-
claimer.
- (**) Term: **14 Years**
- (21) Appl. No.: **29/433,847**
- (22) Filed: **Oct. 5, 2012**
- (51) **LOC (10) Cl.** **09-07**
- (52) **U.S. Cl.**
USPC **D9/434**
- (58) **Field of Classification Search**
USPC D9/748, 713, 702, 652, 600, 457, 434,
D9/433, 414, 415; D20/40, 29, 28, 27, 23,
D20/22, 10; 224/906; 206/784, 525, 525.1,
206/461, 457, 458; D14/485-495; D19/1,
D19/2; 40/360, 630, 633, 638
See application file for complete search history.

(56) **References Cited**

U.S. PATENT DOCUMENTS

D405,118 S *	2/1999	Murphy et al.	D20/27
D423,484 S *	4/2000	Dangelmaier et al.	D14/485
D473,264 S *	4/2003	Sanford et al.	D20/27
D500,342 S *	12/2004	Stewart et al.	D20/27
D500,524 S *	1/2005	Stewart et al.	D20/27
D511,547 S *	11/2005	Andersson et al.	D20/43
D582,987 S *	12/2008	Marmier	D20/22
D588,200 S *	3/2009	Langan et al.	D20/27
D599,812 S *	9/2009	Hirsch	D14/488
D604,740 S *	11/2009	Matheny et al.	D14/486

D607,941 S *	1/2010	Langan et al.	D20/27
D610,920 S *	3/2010	Bogdanova et al.	
D621,879 S *	8/2010	Langan et al.	D20/27
D624,595 S *	9/2010	Langan et al.	D20/27
D633,151 S *	2/2011	Langan et al.	D20/27
D639,673 S *	6/2011	Graham	
D639,861 S *	6/2011	Langan et al.	D20/27
D639,862 S *	6/2011	Langan et al.	D20/27
D643,468 S *	8/2011	Langan et al.	D20/27

(Continued)

OTHER PUBLICATIONS

(DM/80807) 1. Shaving product package with surface indicia,
[online], date of publication Nov. 10, 2013, retrieved on Dec. 16,
2014. Retrieved from, <URL: <http://www.wipo.int/ipdl/en/hague/key.jsp?KEY=DM/080807>>, 1 page.*

(Continued)

Primary Examiner — Ian Simmons

Assistant Examiner — Shannon Morgan

(74) *Attorney, Agent, or Firm* — Kevin C. Johnson; Steven
W. Miller

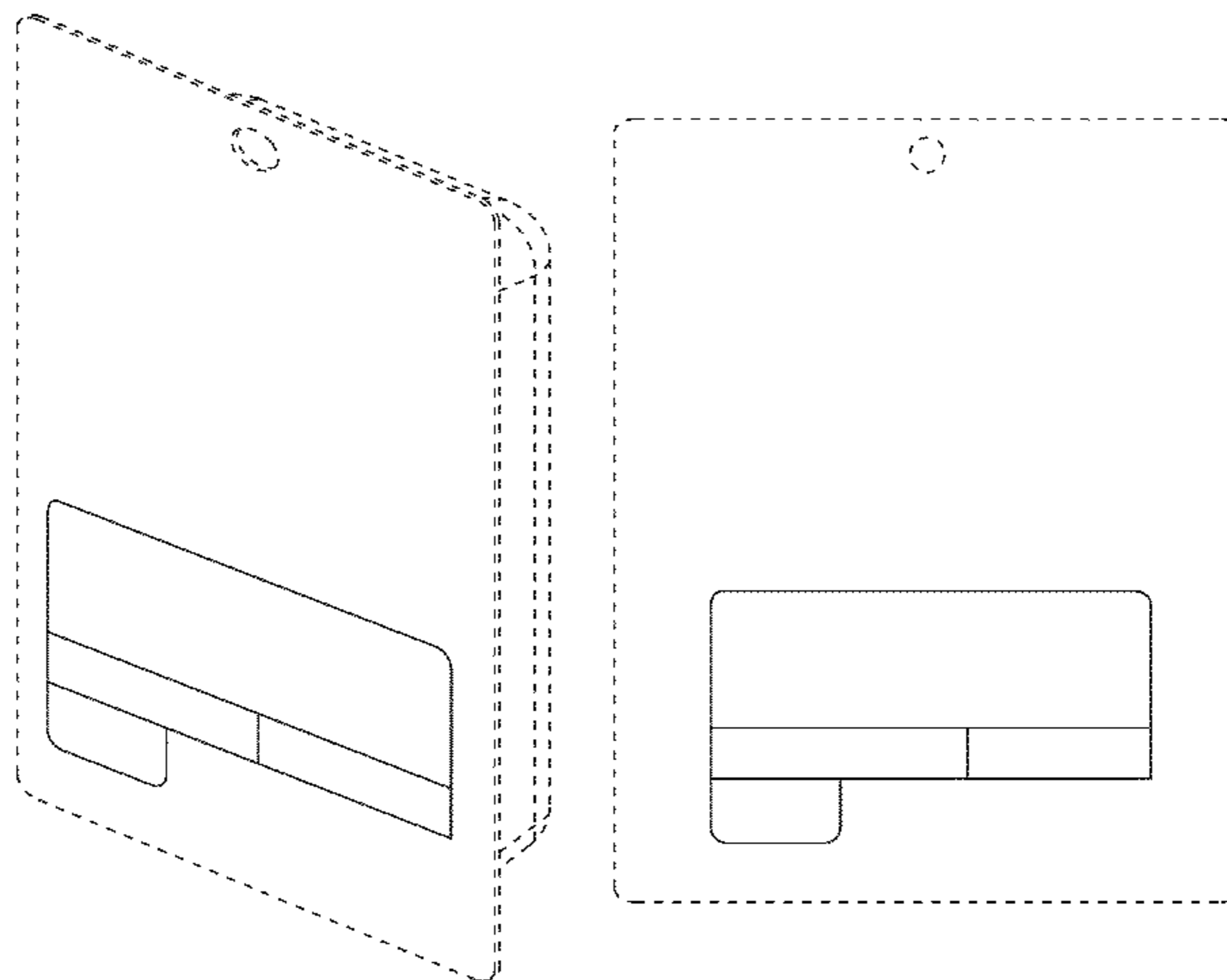
(57) **CLAIM**

The ornamental design of a shaving product package, as
shown and described.

DESCRIPTION

FIG. 1 is a perspective view of a shaving product package
showing my new design;
FIG. 2 is a top view thereof;
FIG. 3 is a bottom view thereof;
FIG. 4 is a front view thereof;
FIG. 5 is a rear view thereof;
FIG. 6 is a left view thereof; and,
FIG. 7 is a right view thereof.
The broken lines shown in FIGS. 1-7 represent portions of the
shaving product package that form no part of the claimed
design.

1 Claim, 5 Drawing Sheets



(56)

References Cited

U.S. PATENT DOCUMENTS

D643,469 S * 8/2011 Langan et al. D20/27
 D651,509 S * 1/2012 Methe et al. D9/434
 D657,368 S * 4/2012 Magee et al. D14/486
 D657,378 S * 4/2012 Vance et al. D14/486
 D661,312 S * 6/2012 Vance et al. D14/486
 D667,837 S * 9/2012 Magee et al. D14/486
 D667,838 S * 9/2012 Magee et al. D14/486
 D676,490 S * 2/2013 Bratter et al. D20/27
 D679,333 S * 4/2013 Jabara D20/27
 2004/0100509 A1 * 5/2004 Sommerer et al. 345/864
 2009/0187839 A1 * 7/2009 Omiya 715/765
 2010/0122202 A1 * 5/2010 Omiya 715/772
 2010/0262916 A1 * 10/2010 Jones et al. 715/733
 2011/0071420 A1 * 3/2011 St. Pierre et al. 600/549
 2011/0246565 A1 * 10/2011 Irwin et al. 709/203
 2012/0215075 A1 * 8/2012 Surace et al. 600/301
 2012/0272146 A1 * 10/2012 D'Souza et al. 715/707

2012/0296183 A1 * 11/2012 Kinsley et al. 600/324
 2013/0267861 A1 * 10/2013 Vassallo et al. 600/532
 2014/0135588 A1 * 5/2014 Al-Ali et al. 600/300

OTHER PUBLICATIONS

(DM/80811) 1. Shaving product package with surface indicia, [online], date of publication Nov. 10, 2013, retrieved on Dec. 16, 2014. Retrieved from, <URL: <http://www.wipo.int/ipdl/en/hague/key.jsp?KEY=DM/080811>>, 1 page.*
 Usability Post >> The Function of Rounded Corners—Wayback Machine, crawled on Sep. 26, 2008, retrieved on Dec. 18, 2014. Retrieved from, <URL: <http://web.archive.org/web/20080926123920/http://www.usabilitypost.com/2008/09/24/the-function-of-rounded-corners/>>, 1 page.*
 U.S. Appl. No. 29/433,837, filed Oct. 5, 2012, Elizabeth J. DiFranza.
 U.S. Appl. No. 29/433,838, filed Oct. 5, 2012, Elizabeth J. DiFranza.
 U.S. Appl. No. 29/433,839, filed Oct. 5, 2012, Elizabeth J. DiFranza.
 U.S. Appl. No. 29/433,841, filed Oct. 5, 2012, Elizabeth J. DiFranza.
 U.S. Appl. No. 29/433,843, filed Oct. 5, 2012, Elizabeth J. DiFranza.

* cited by examiner

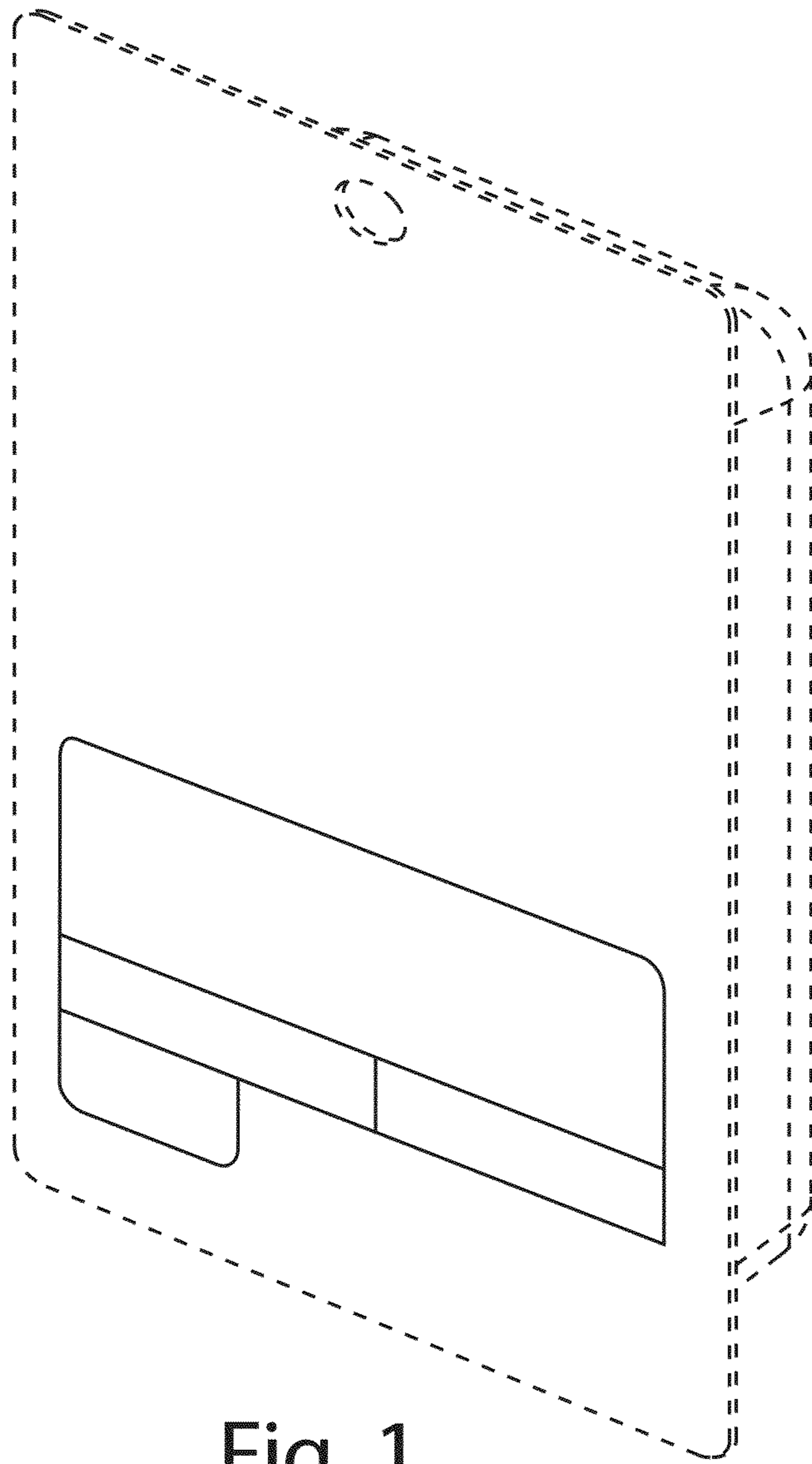


Fig. 1

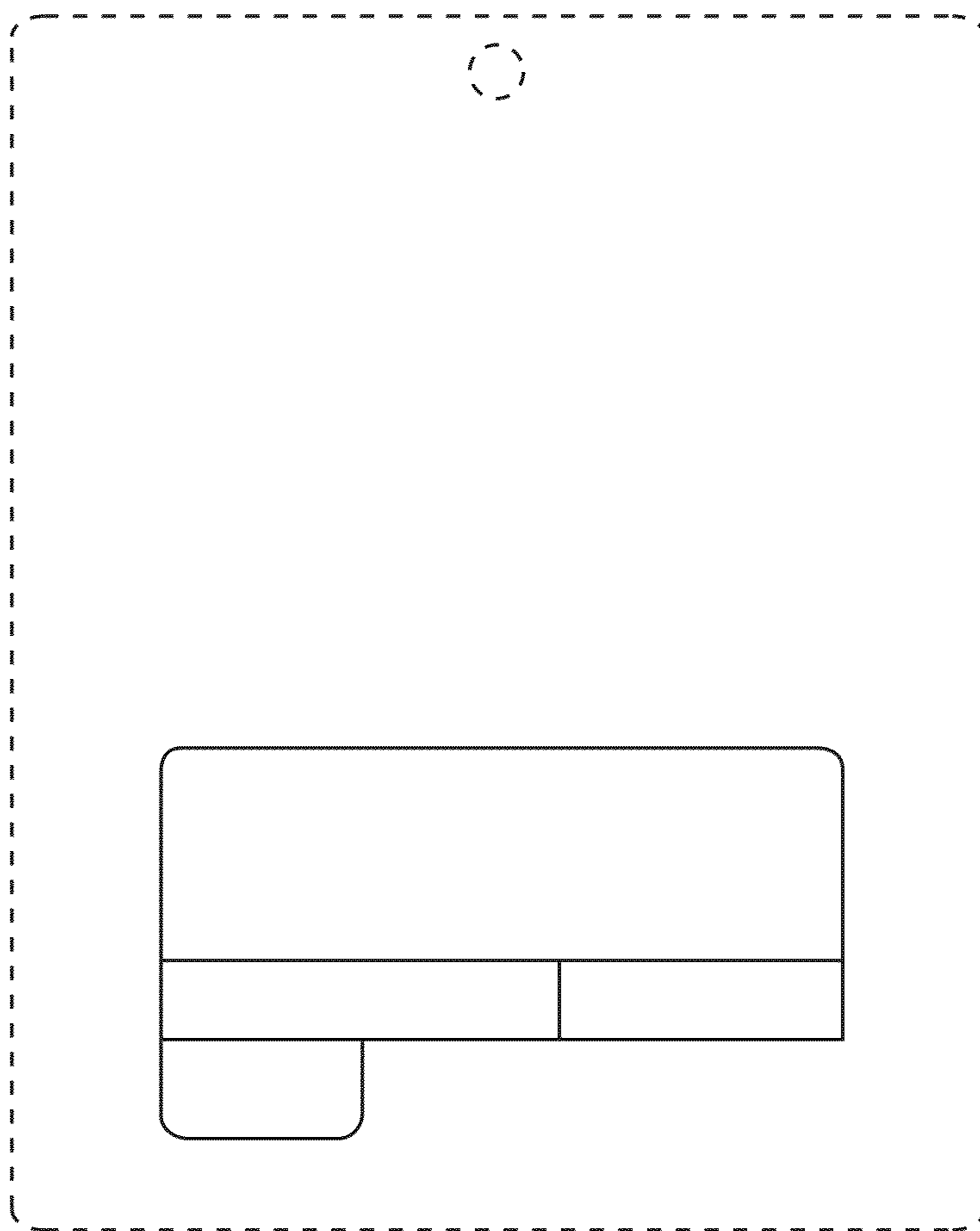


Fig. 2

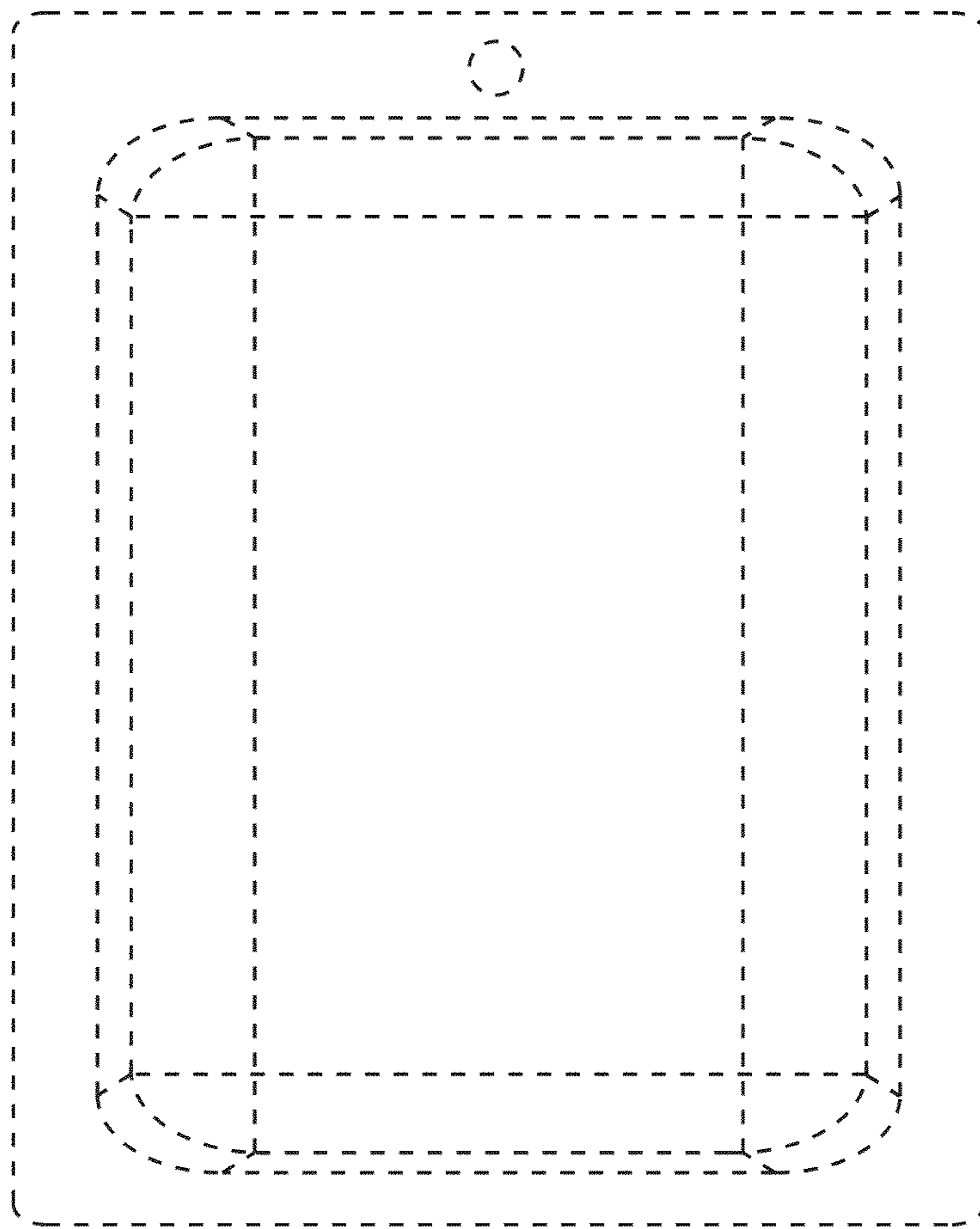


Fig. 3

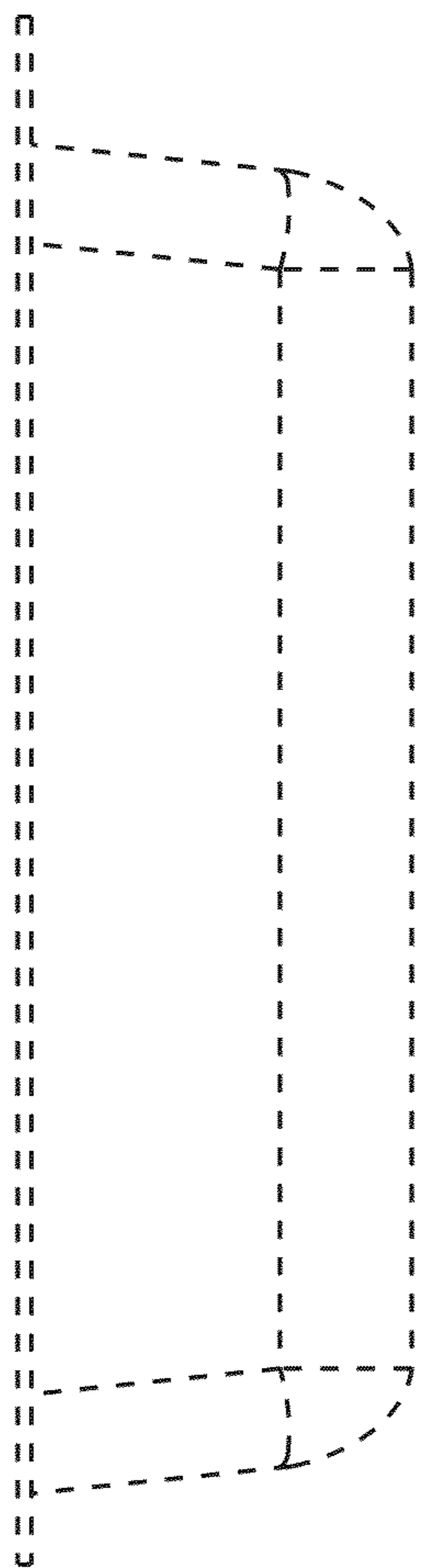


Fig. 4

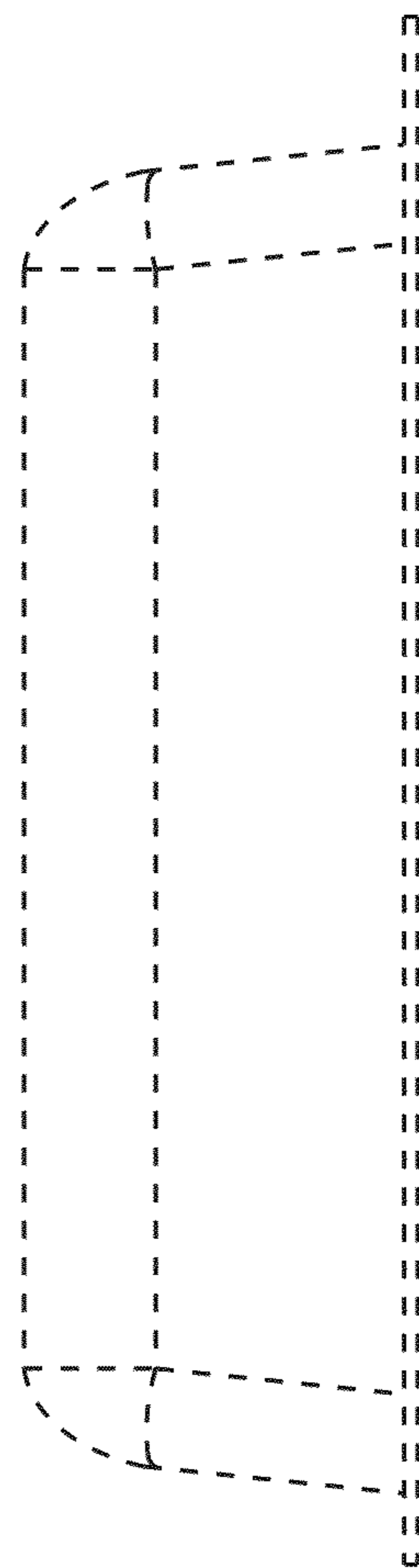


Fig. 5

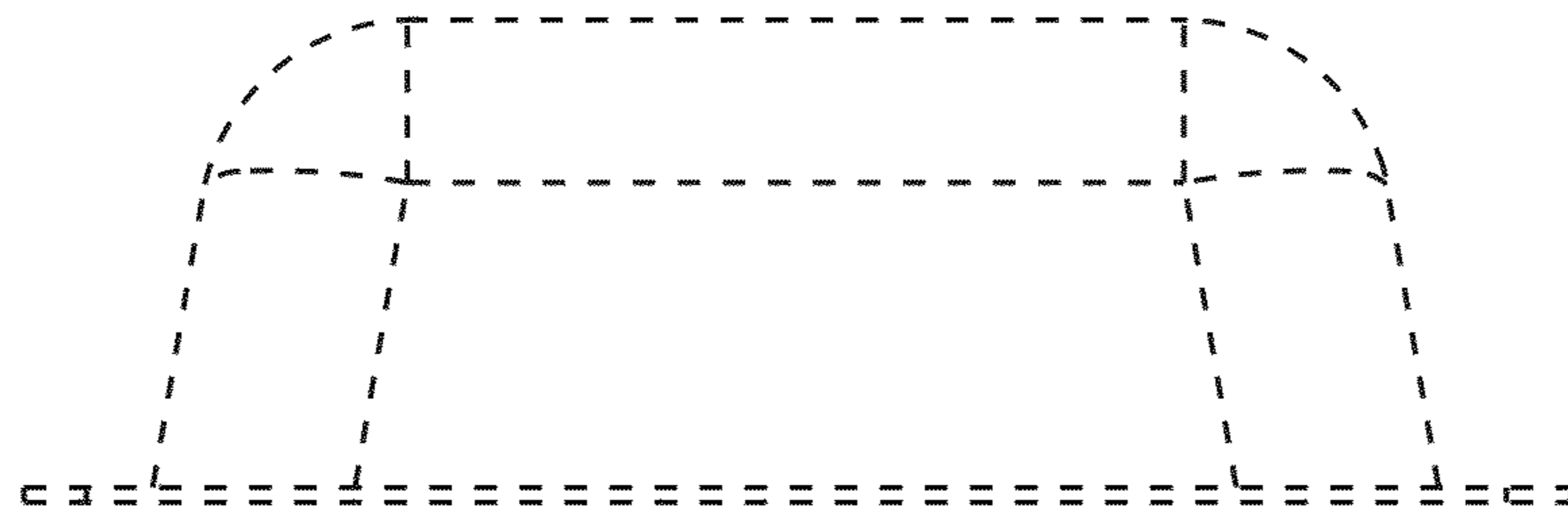


Fig. 6

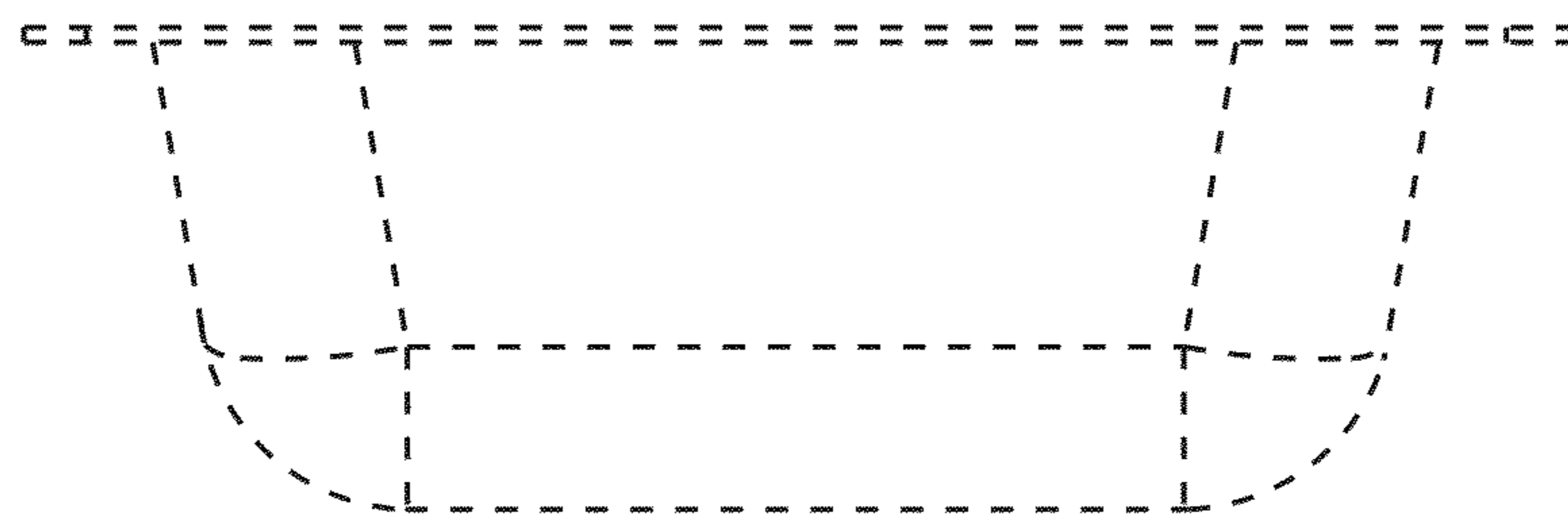


Fig. 7