



US00D724427S

(12) **United States Design Patent**
Nash et al.

(10) **Patent No.:** **US D724,427 S**
(45) **Date of Patent:** **** Mar. 17, 2015**

(54) **PACKAGE FOR A MEDICAL DEVICE**

Primary Examiner — Ian Simmons
Assistant Examiner — Rhea Shields

(71) Applicant: **Medtronic Vascular, Inc.**, Santa Rosa, CA (US)

(72) Inventors: **Stephen Nash**, Galway (IE); **David Clarke**, Galway (IE)

(73) Assignee: **Medtronic Vascular, Inc.**, Santa Rosa, CA (US)

(**) Term: **14 Years**

(21) Appl. No.: **29/484,145**

(22) Filed: **Mar. 6, 2014**

(51) **LOC (10) Cl.** **09-03**

(52) **U.S. Cl.**
USPC **D9/417**

(58) **Field of Classification Search**
USPC D9/414–419, 432, 431, 433, 423, 430, D9/734, 739, 721, 434, 526, 711; 229/123.3, 106, 108, 116.1, 207, 200, 229/201, 210, 230, 232, 122, 214, 125.37, 229/215, 221, 217; D3/203.2, 20, 294; 206/557, 216, 308.1, 551; D27/189; D34/39

See application file for complete search history.

(56) **References Cited**

U.S. PATENT DOCUMENTS

2,730,290 A	1/1956	Lynes
3,133,688 A	5/1964	Asman
4,657,174 A	4/1987	Hennig
5,000,374 A	3/1991	Deiger

(Continued)

FOREIGN PATENT DOCUMENTS

EP	0359968	8/1989
EP	1331170	7/2003

OTHER PUBLICATIONS

PCT/US2014/054397, “The International Search Report and the Written Opinion of the International Searching Authority” mailed Dec. 2, 2014.

(57) **CLAIM**

The ornamental design for a package for a medical device, as shown and described.

DESCRIPTION

FIG. 1 is a front perspective view of an embodiment of a package for a medical device showing our new design.

FIG. 2 is a rear perspective view of the package for a medical device of FIG. 1.

FIG. 3 is a right view of the package for a medical device thereof;

FIG. 4 is a front view of the package for a medical device thereof;

FIG. 5 is a left view of the package for a medical device thereof;

FIG. 6 is a rear view of the package for a medical device thereof;

FIG. 7 is a top view of the package for a medical device of FIG. 1.

FIG. 8 is a bottom view of the package for a medical device of FIG. 1.

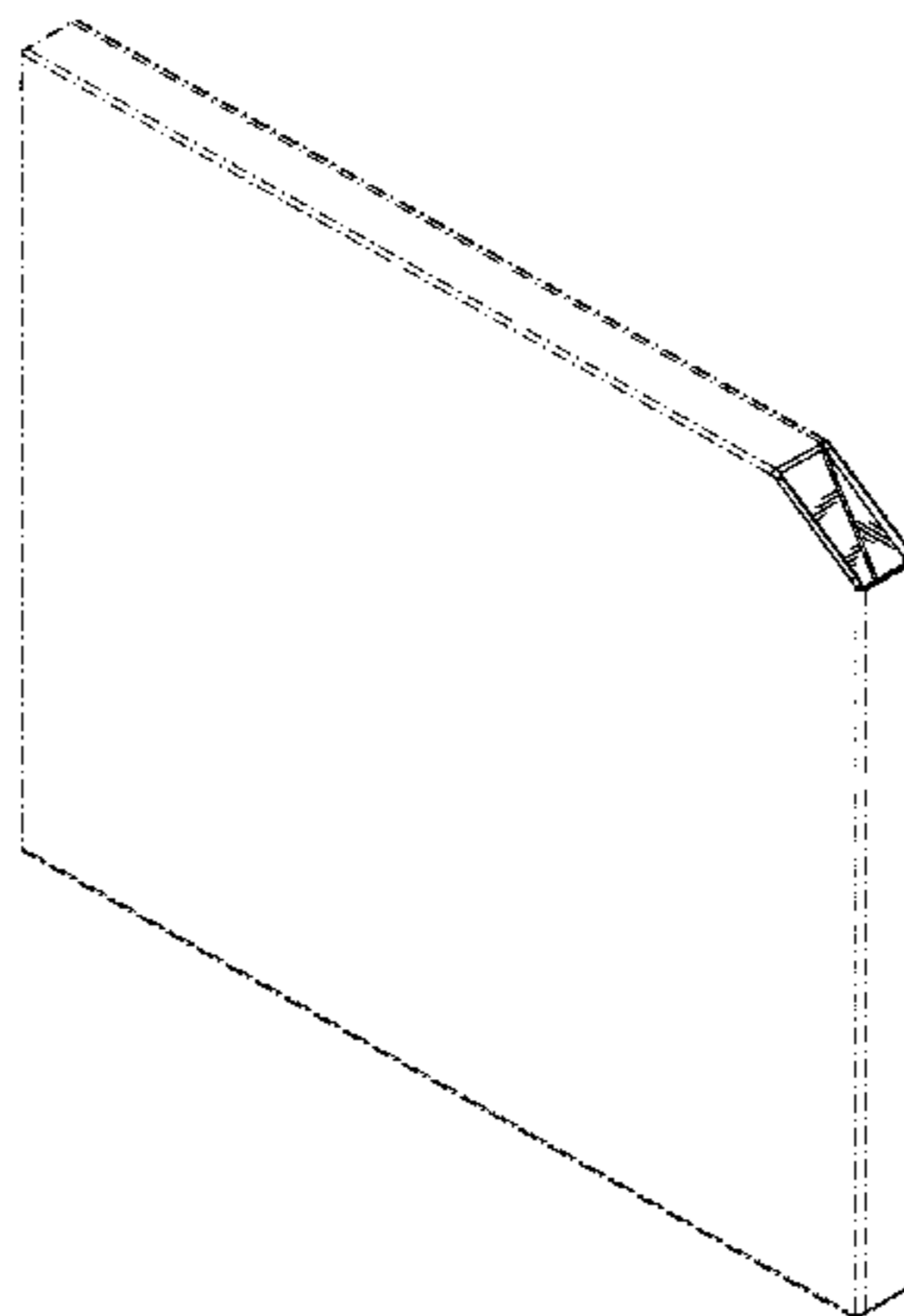
FIG. 9 is an enlarged perspective view of the top front portion of the package for a medical device of FIG. 1, with the dash-dot-dot-dash broken lines surrounding the enlarged portion forming no part of the claimed design; and,

FIG. 10 is another enlarged perspective view of the top front portion of the package for a medical device of FIG. 1, with the dash-dot-dot-dash broken lines surrounding the enlarged portion forming no part of the claimed design.

The dash-dot lines in the Figures show portions of the package for a medical device which form no part of the claimed design.

The shade lines in the Figures show contour and not surface ornamentation.

1 Claim, 7 Drawing Sheets



(56)

References Cited

U.S. PATENT DOCUMENTS

D335,819 S * 5/1993 Campbell D9/721
 D340,642 S * 10/1993 Detzel et al. D9/417
 5,326,024 A * 7/1994 Fogle 229/214
 5,655,661 A * 8/1997 Rigby 206/557
 D383,064 S * 9/1997 Tsukikawa D9/432
 5,839,574 A * 11/1998 Lorence et al. 206/216
 D401,760 S * 12/1998 Richardson D3/20
 D424,434 S * 5/2000 Hoffman D9/432
 6,419,151 B1 * 7/2002 Urtubey 229/215
 D536,965 S * 2/2007 Levy D9/430
 D560,487 S * 1/2008 Boettcher et al. D3/294
 D580,263 S * 11/2008 Yi Man D9/432
 D586,221 S * 2/2009 Shaikh D9/526

D594,742 S * 6/2009 Meier et al. D9/432
 D596,787 S * 7/2009 Hearn D27/189
 D613,153 S * 4/2010 Russell D9/423
 D630,523 S * 1/2011 Dragoo et al. D9/711
 D635,321 S * 3/2011 Eustis D34/39
 D637,074 S * 5/2011 Maki et al. D9/417
 D639,014 S * 5/2011 Eustis D34/39
 D660,143 S * 5/2012 Stowe et al. D9/417
 D690,195 S * 9/2013 Kalberer et al. D9/430
 D696,109 S * 12/2013 Wilker D9/418
 8,720,690 B2 * 5/2014 Ruggiero 206/551
 D708,055 S * 7/2014 Elston et al. D9/423
 2002/0053592 A1 5/2002 Urtubey
 2005/0230465 A1 * 10/2005 Metzler et al. 229/125.37
 2006/0054675 A1 * 3/2006 Bennett 229/215

* cited by examiner

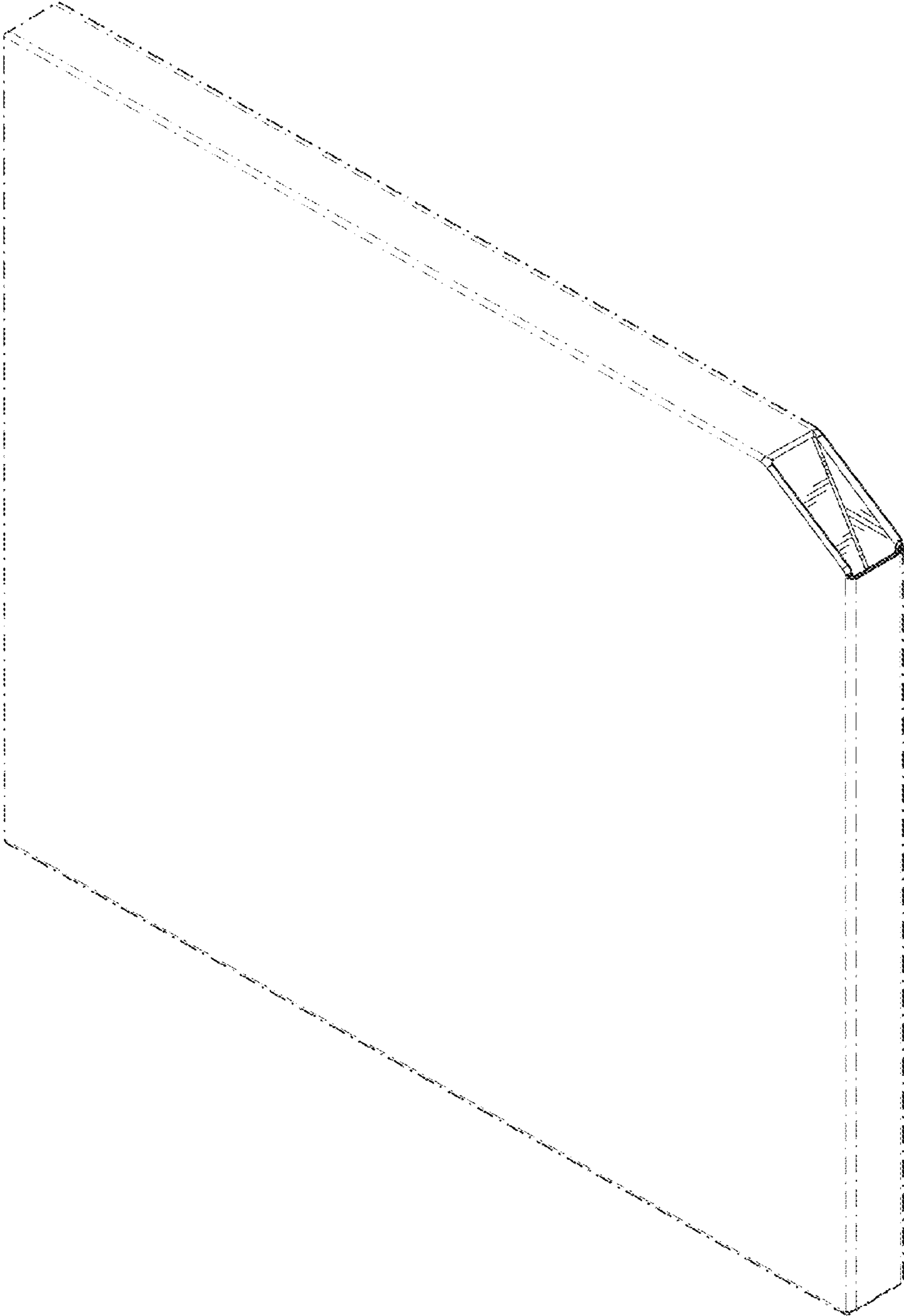


FIG. 1

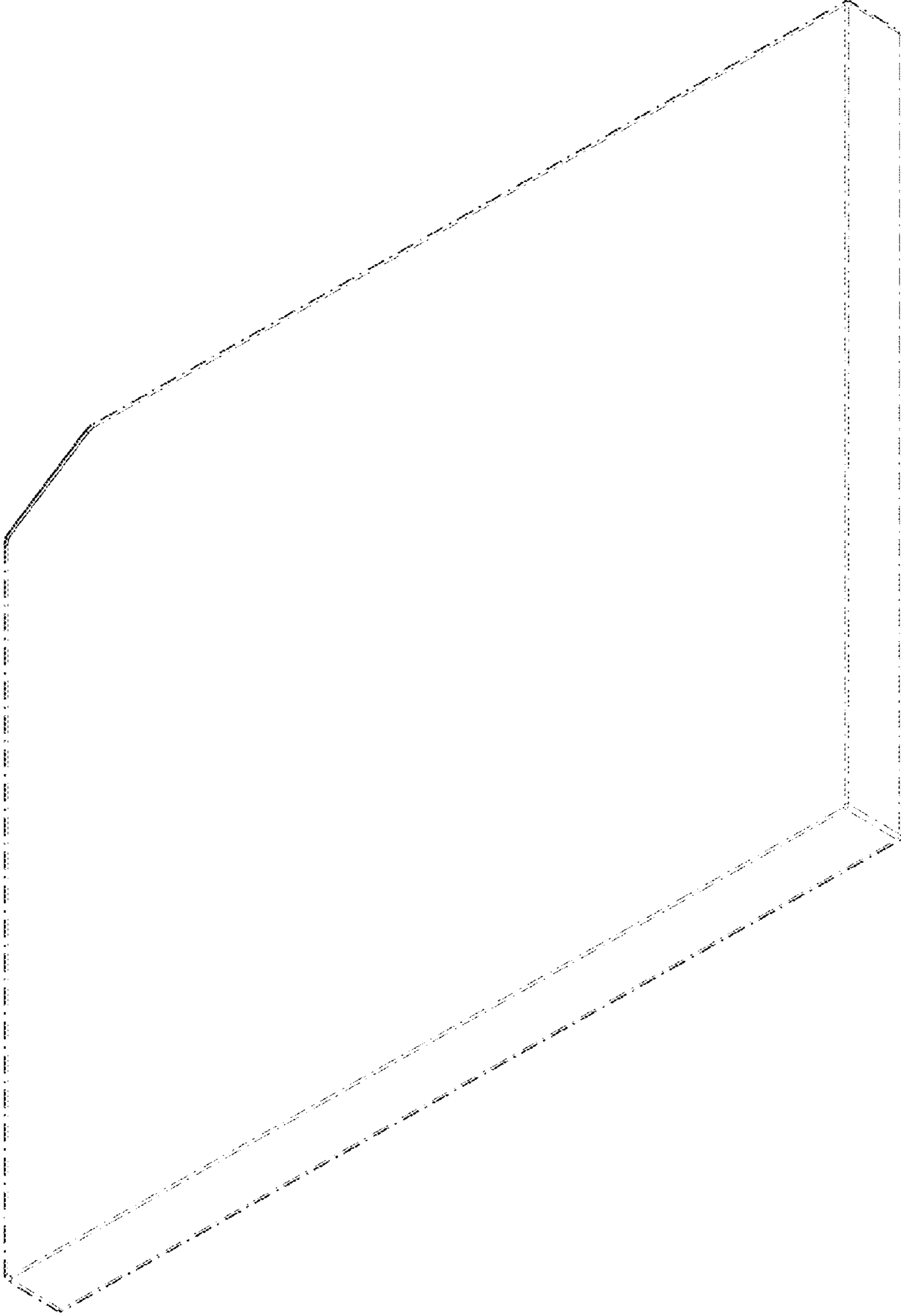


FIG. 2

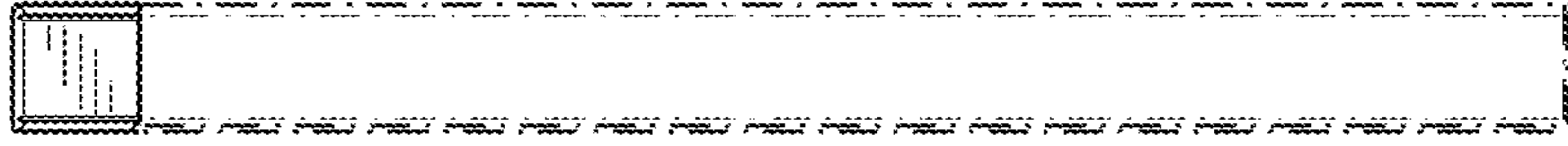


FIG. 4

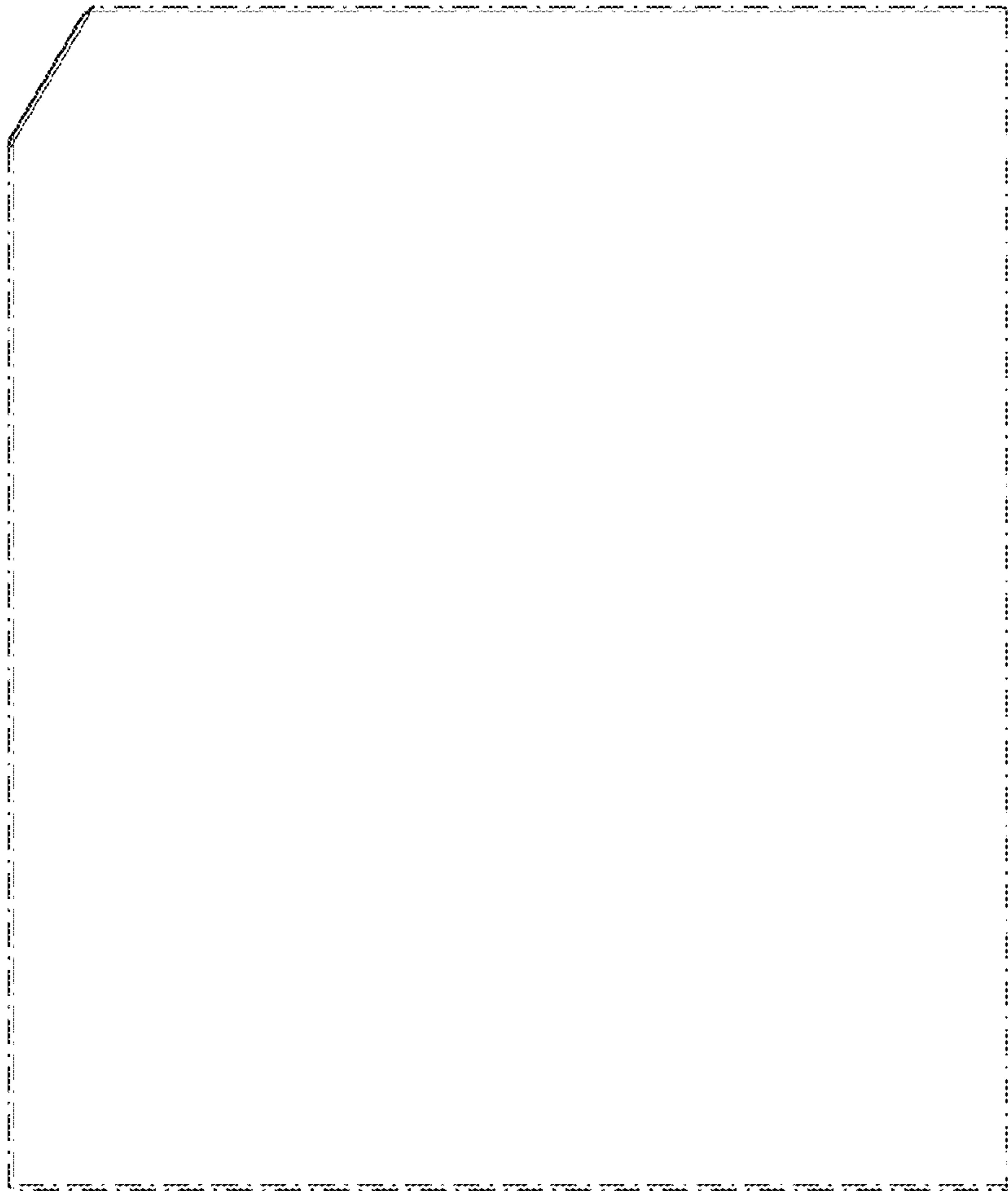


FIG. 3



FIG. 5

FIG. 6



FIG. 7

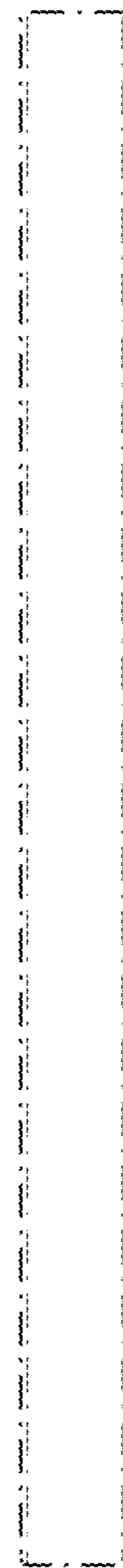


FIG. 8

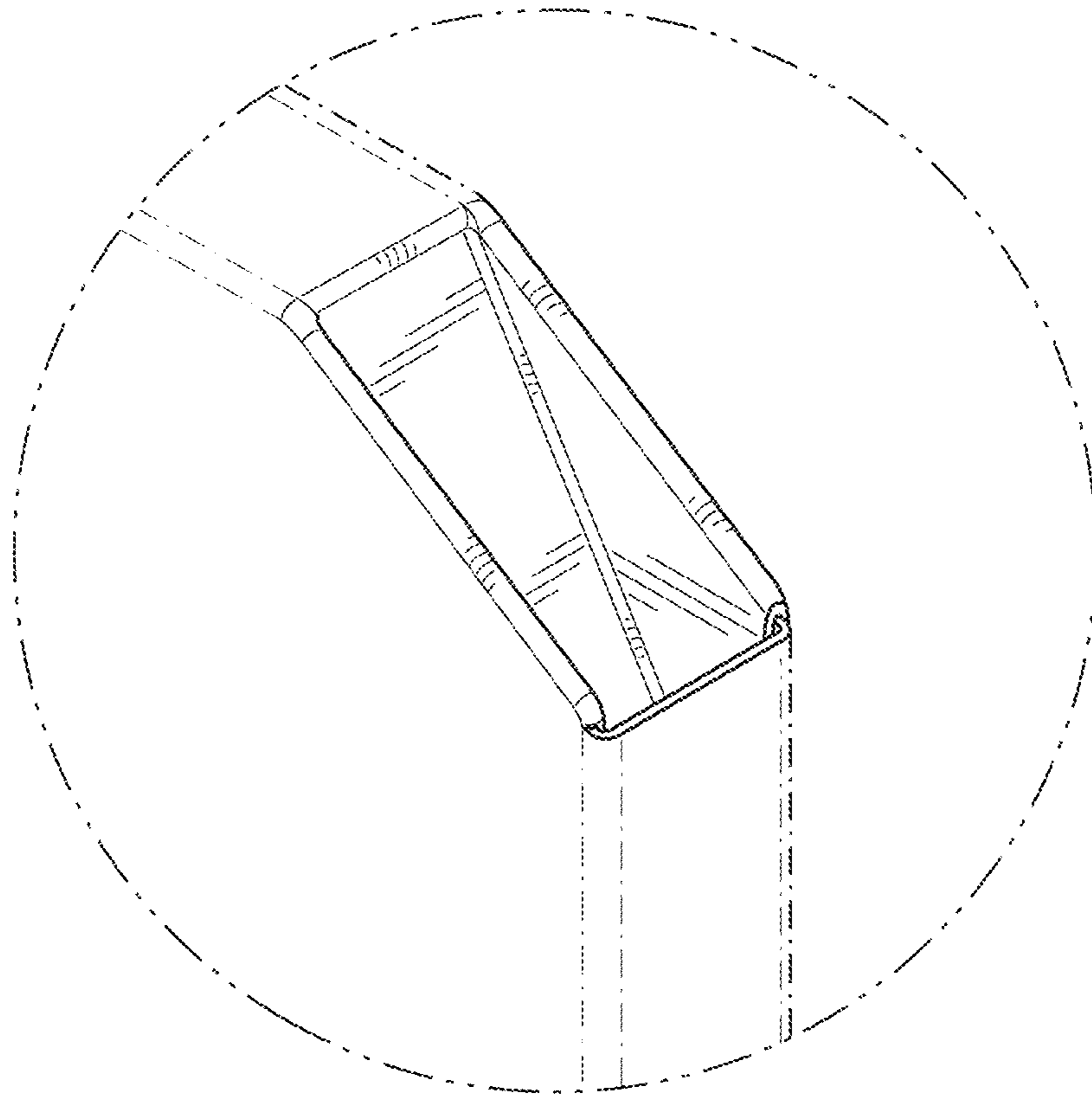


FIG. 9

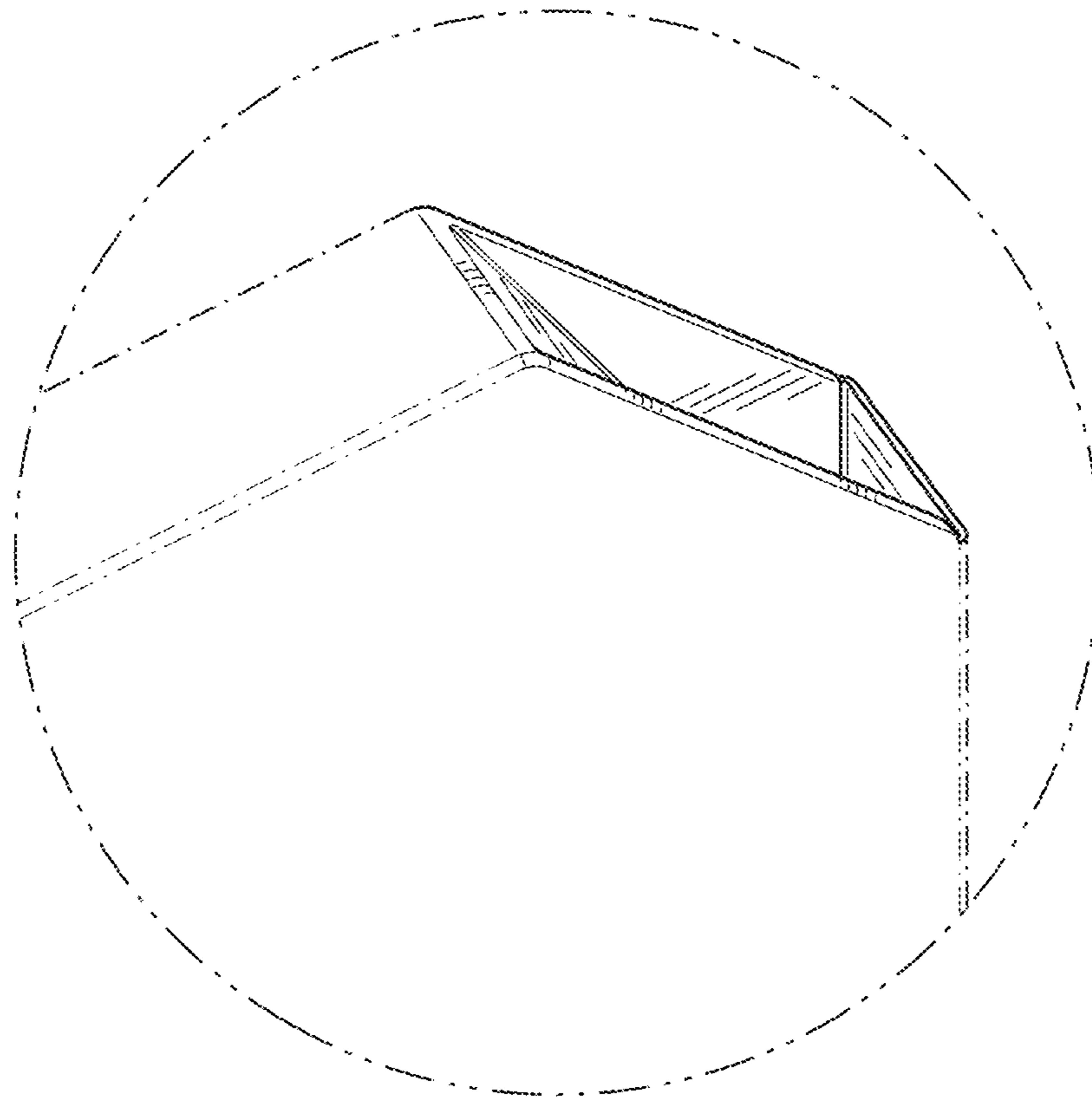


FIG. 10