



US00D724424S

(12) **United States Design Patent**
Wilk

(10) **Patent No.:** **US D724,424 S**
(45) **Date of Patent:** **** Mar. 17, 2015**

- (54) **BAND**
- (71) Applicant: **Daniel Wilk**, Deerfield, IL (US)
- (72) Inventor: **Daniel Wilk**, Deerfield, IL (US)
- (**) Term: **14 Years**
- (21) Appl. No.: **29/465,476**
- (22) Filed: **Aug. 28, 2013**
- (51) **LOC (10) Cl.** **03-01**
- (52) **U.S. Cl.**
USPC **D8/396; D3/247**
- (58) **Field of Classification Search**
USPC D3/203.1, 203.5, 203.6, 203.8,
D3/225–227, 247–253, 299, 301, 303;
D14/250; 40/124.01, 124.06, 124.09,
40/358, 910–912; 206/39, 232, 424, 425,
206/457, 494, 534; 150/131–149, 152, 165;
D11/1, 2, 3, 4, 17, 26, 78.1; D8/352,
D8/382, 394
See application file for complete search history.

(56) **References Cited**

U.S. PATENT DOCUMENTS

882,546	A *	3/1908	Chellis	215/236
5,083,642	A *	1/1992	Stefanutti et al.	188/77 W
D395,238	S *	6/1998	Freitas	D9/455
D395,825	S *	7/1998	Freitas	D9/455
D458,558	S *	6/2002	Tschetter	D11/26
7,077,595	B2 *	7/2006	Knight	402/39
D562,173	S *	2/2008	Hardy	D11/4
D623,056	S *	9/2010	Sessa	D9/434
D655,217	S *	3/2012	Thevenaz	D11/26
D655,638	S *	3/2012	Thevenaz	D11/26
D676,777	S *	2/2013	Williams	D11/26
D712,774	S *	9/2014	Cheah	D11/26
D713,281	S *	9/2014	Chen et al.	D11/3
2014/0137600	A1 *	5/2014	Rich et al.	63/11

OTHER PUBLICATIONS

925 Sterling Silver Double Band Ring. Online Store [online]. Thai Silver Jewelry, 2011 [retrieved on May 23, 2014]. Retrieved from the

Internet: <URL: http://www.thaisilverjewelry.net/silveronlinestore.php?p_id=6739&q=cat%3D68>.*
Double Band Ring—Gold. Online Store [online]. Frankie Phoenix [retrieved on May 23, 2014]. Retrieved from the Internet: <URL: <http://frankie-phoenix.com/products/double-band-ring-gold>>.*

* cited by examiner

Primary Examiner — Robert M Spear
Assistant Examiner — Marissa J Cash
(74) *Attorney, Agent, or Firm* — Neal, Gerber & Eisenberg LLP

(57) **CLAIM**

The ornamental design for a band, as shown and described herein.

DESCRIPTION

FIG. 1 is a front perspective view of one embodiment of a band of my new design, that portion of the band shown in phantom is not part of the design sought to be patented and is provided for environmental purposes only.
FIG. 2 is a top plan view of the band of my new design illustrated in FIG. 1, that portion of the band shown in phantom is not part of the design sought to be patented and is provided for environmental purposes only. The bottom view being a mirror image of the top view shown.
FIG. 3 is a front plan view of the band of my new design illustrated in FIG. 1, that portion of the band shown in phantom is not part of the design sought to be patented and is provided for environmental purposes only,
FIG. 4 is a rear plan view of the band of my new design illustrated in FIG. 1, that portion of the band shown in phantom is not part of the design sought to be patented and is provided for environmental purposes only; and,
FIG. 5 is a left side plan view of the band of my new design illustrated in FIG. 1, that portion of the band shown in phantom is not part of the design sought to be patented and is provided for environmental purposes only. The right side view being a mirror image of the left side view shown.

1 Claim, 2 Drawing Sheets

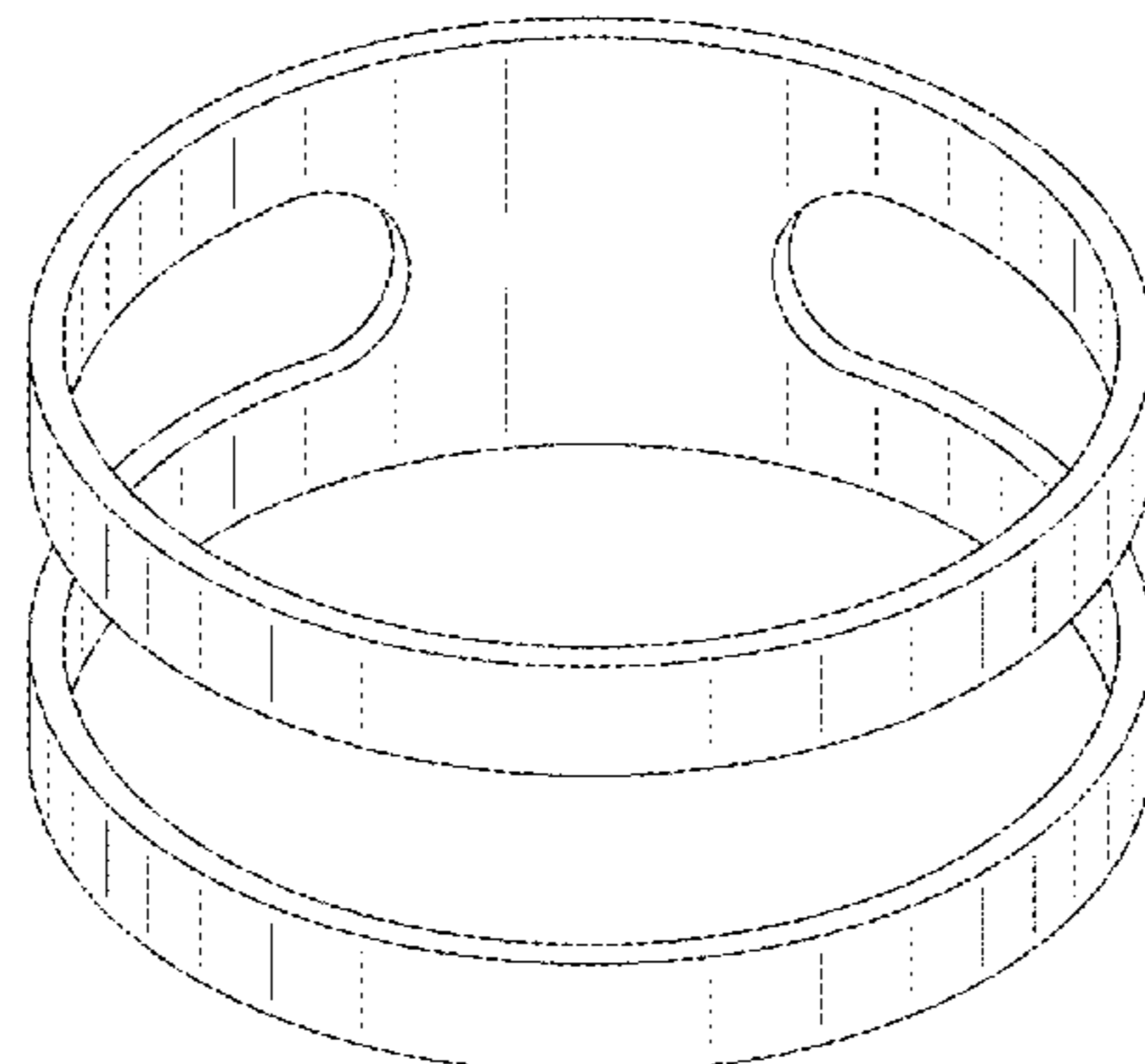


FIG. 1

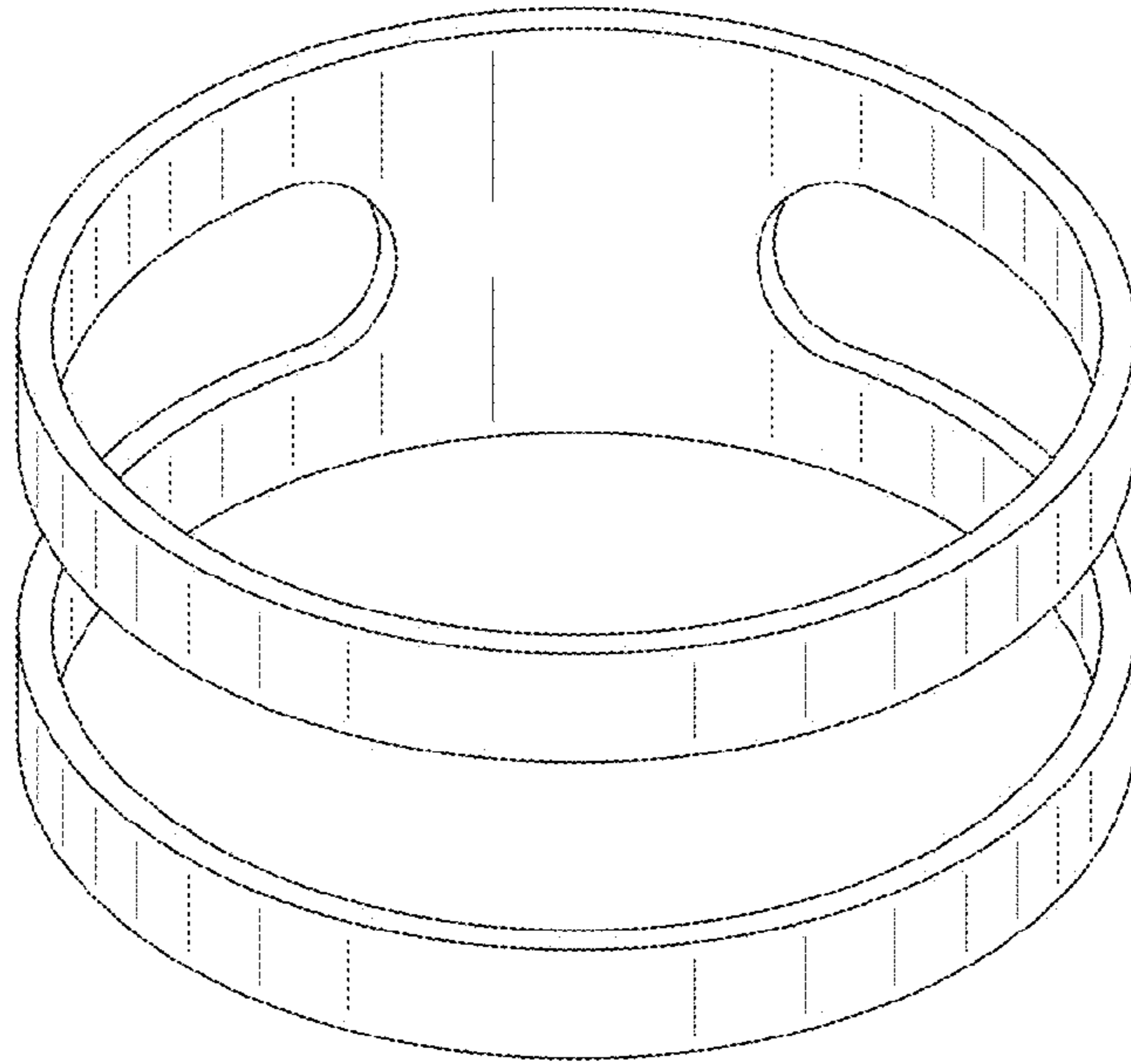


FIG. 2

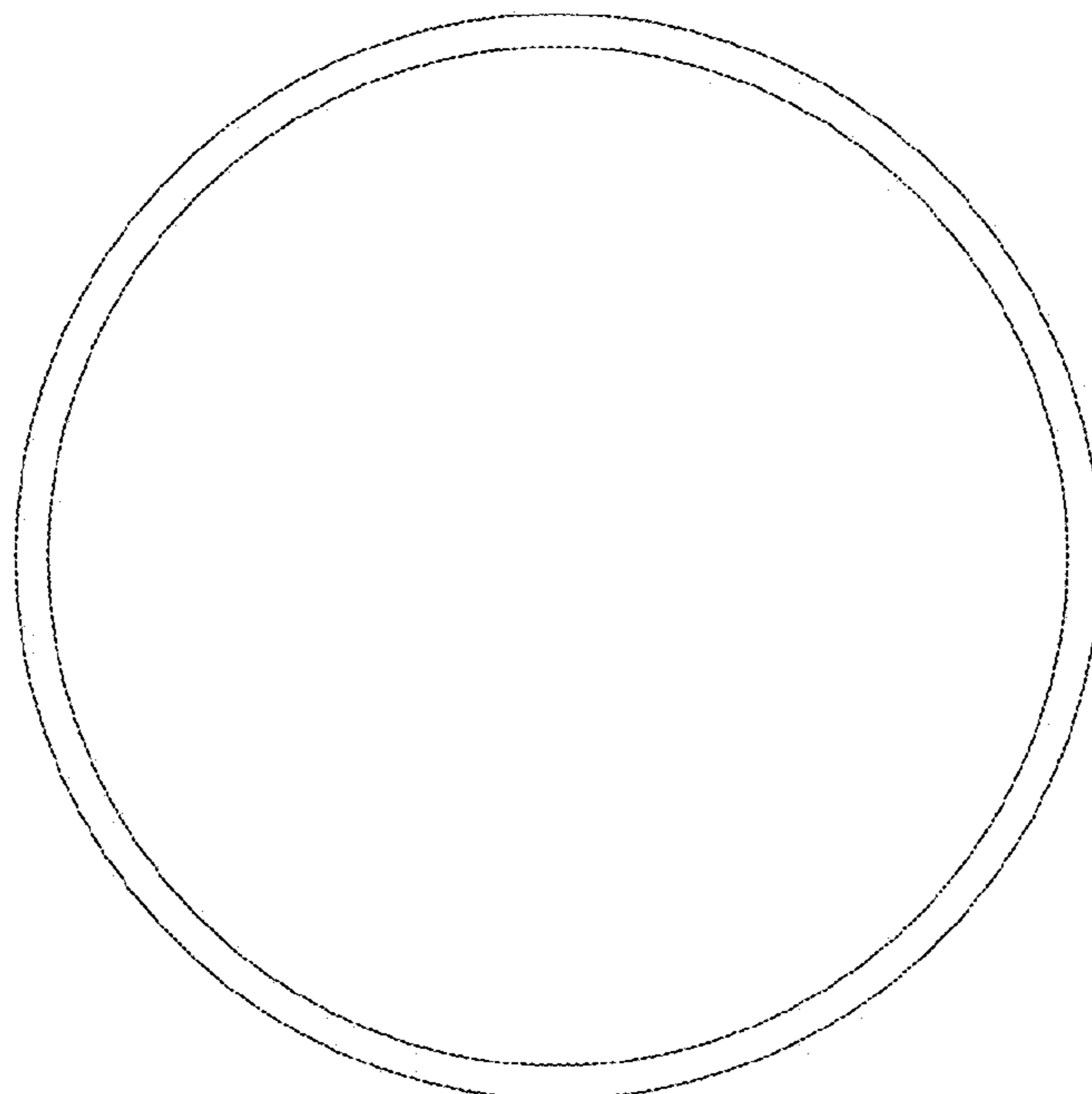


FIG. 3

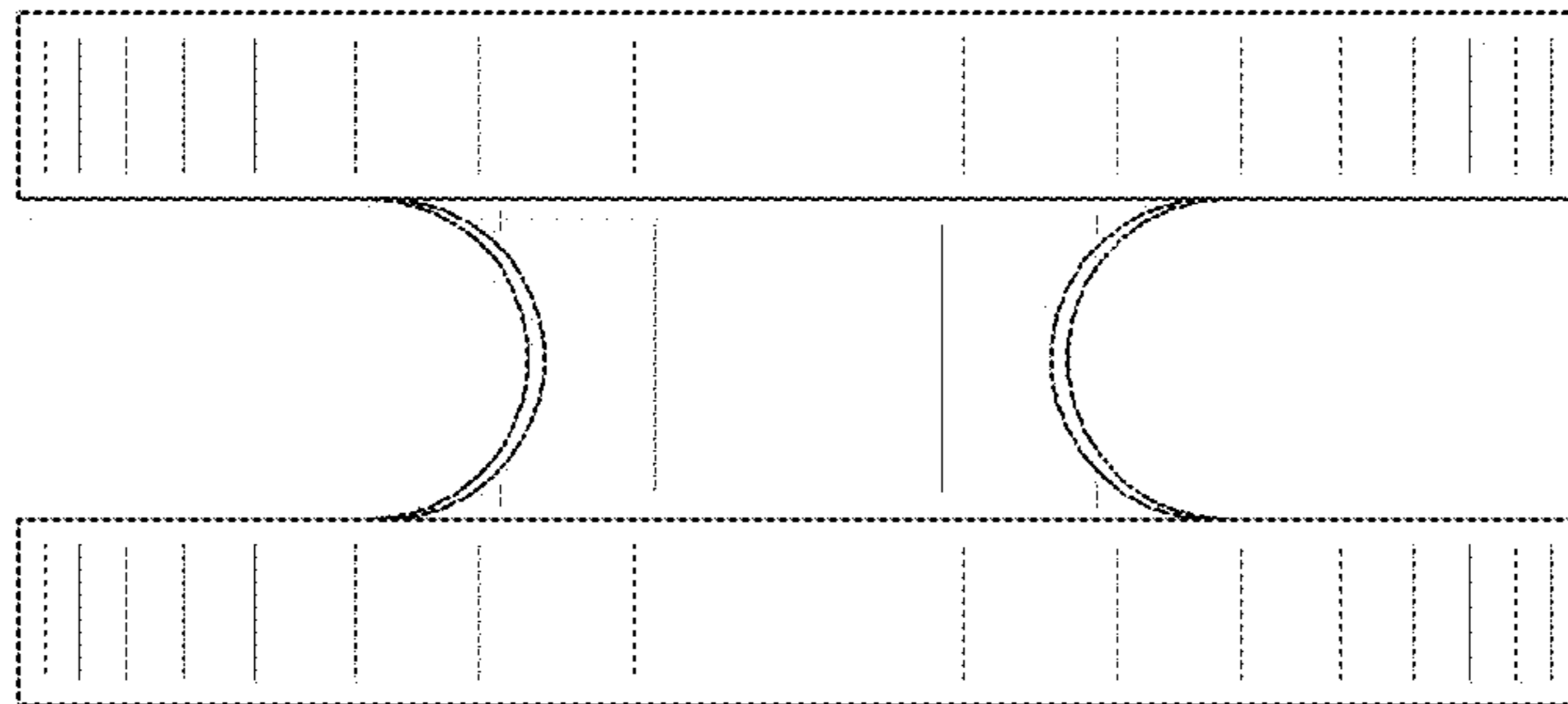


FIG. 4

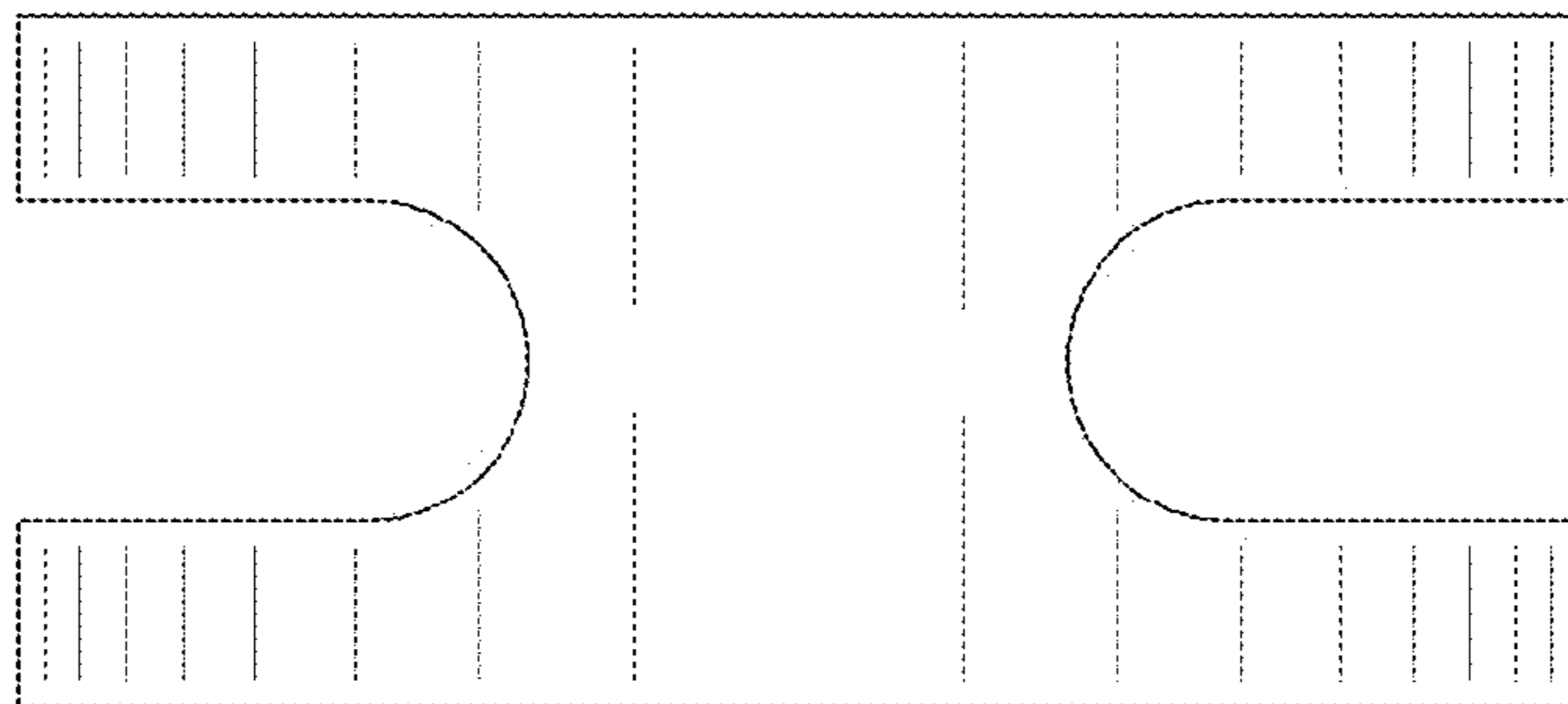


FIG. 5

