



US00D724421S

(12) **United States Design Patent**
Lorenz

(10) **Patent No.:** **US D724,421 S**
(45) **Date of Patent:** **** Mar. 17, 2015**

- (54) **FASTENER FOR A BED FRAME**
- (71) Applicant: **Lorenz Kunststofftechnik GmbH**,
Wallenhorst (DE)
- (72) Inventor: **Thomas Lorenz**, Wallenhorst (DE)
- (**) Term: **14 Years**
- (21) Appl. No.: **29/461,522**
- (22) Filed: **Jul. 24, 2013**
- (51) **LOC (10) Cl.** **08-08**
- (52) **U.S. Cl.**
USPC **D8/382**
- (58) **Field of Classification Search**
CPC A47C 23/06; A47C 23/062; A47C 19/005;
A47C 19/021; A47C 19/04; A61G 2007/0514;
A61H 2201/0142
USPC D8/382, 349, 354, 499, 395; D6/395,
D6/382; D34/29; 411/458; 5/238, 236.1,
5/246, 239; 52/480, 489.2, 585.1, 403.1;
403/231, 232.1, 408.1, 349
See application file for complete search history.

6,651,276	B2 *	11/2003	McCraw et al.	5/246
D610,440	S *	2/2010	Prichard et al.	D8/382
D632,164	S *	2/2011	Lappin	D8/382
8,806,829	B2 *	8/2014	Pelc et al.	52/585.1
2006/0053720	A1 *	3/2006	Oh	52/480
2014/0173824	A1 *	6/2014	Lorenz	5/238
2014/0201908	A1 *	7/2014	Lorenz	5/238

FOREIGN PATENT DOCUMENTS

DE 20 2013 100 290.9 * 1/2013

* cited by examiner

Primary Examiner — Sheryl Lane

Assistant Examiner — Nicole Shiflet

(74) *Attorney, Agent, or Firm* — Patricia M. Mathers

(57) **CLAIM**

The ornamental design for a fastener for a bed frame, as shown and described.

DESCRIPTION

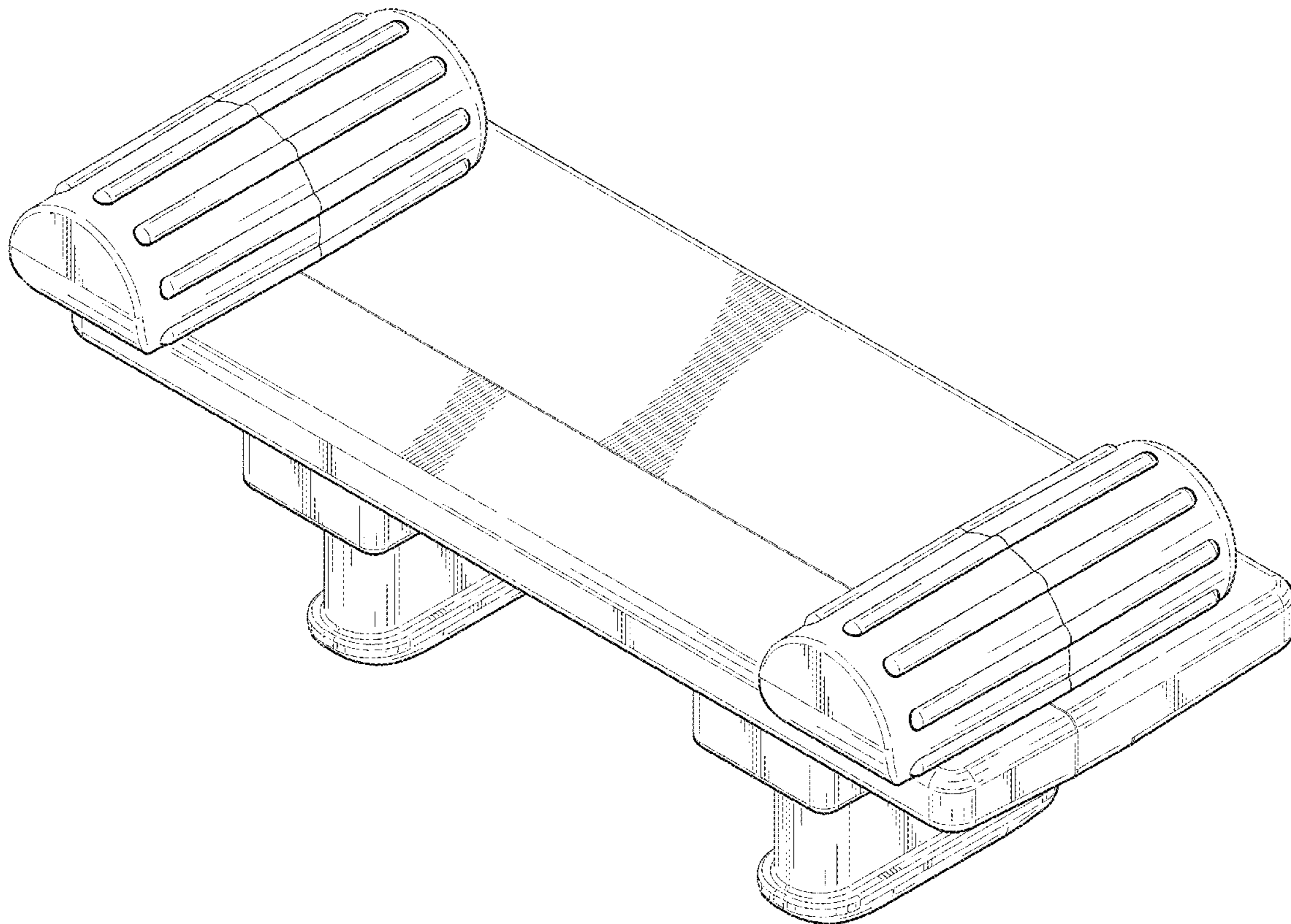
- FIG. 1 is a top front right perspective view of the fastener.
- FIG. 2 is a front elevation view of the fastener.
- FIG. 3 is a right side elevation view of the fastener.
- FIG. 4 is a rear elevation view of the fastener.
- FIG. 5 is a top plan view of the fastener.
- FIG. 6 is a bottom plan view of the fastener; and,
- FIG. 7 is a bottom rear left perspective view of the fastener.

1 Claim, 7 Drawing Sheets

(56) **References Cited**

U.S. PATENT DOCUMENTS

4,292,003	A *	9/1981	Pond	403/349
5,433,052	A *	7/1995	Niese	52/403.1



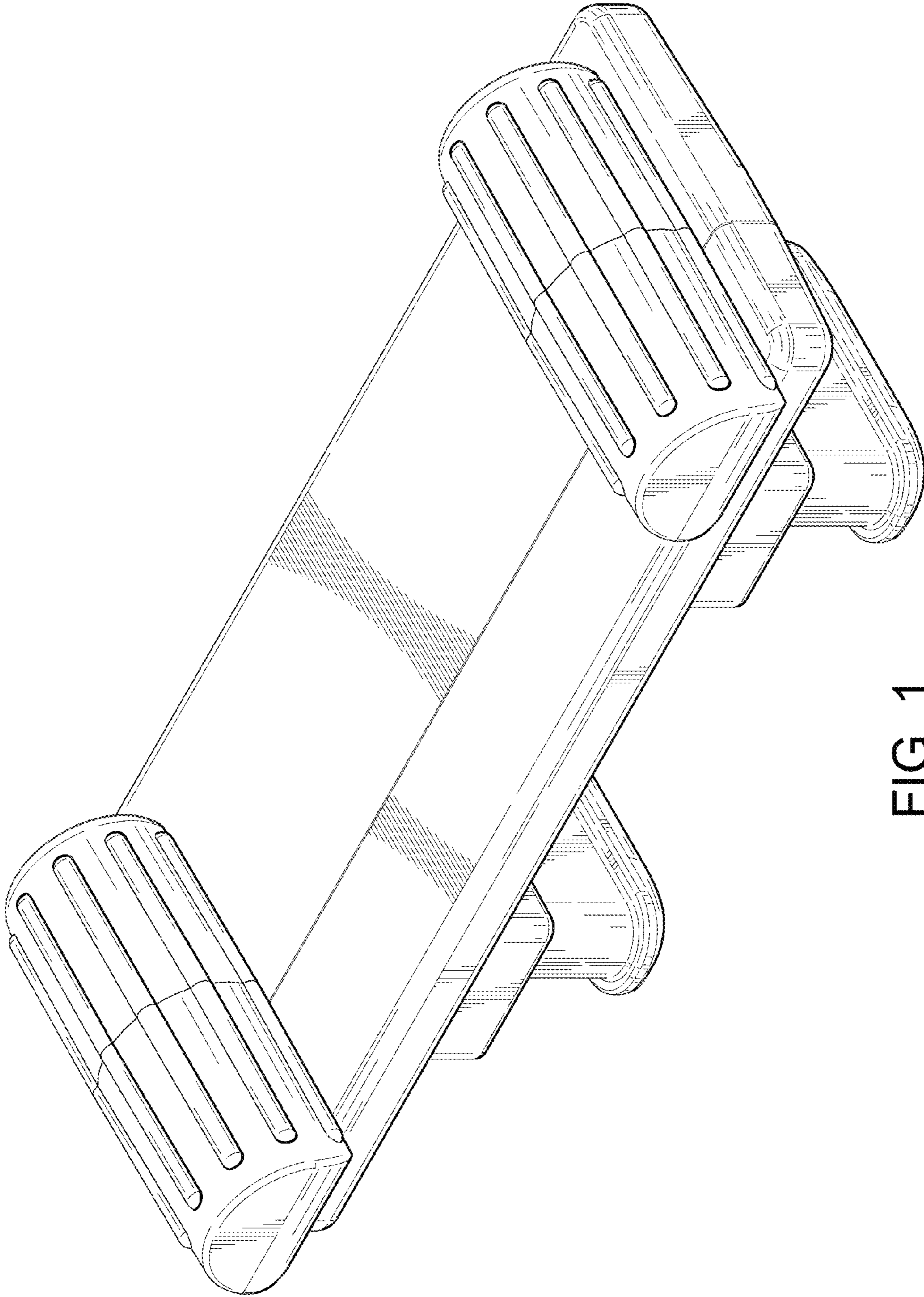


FIG. 1

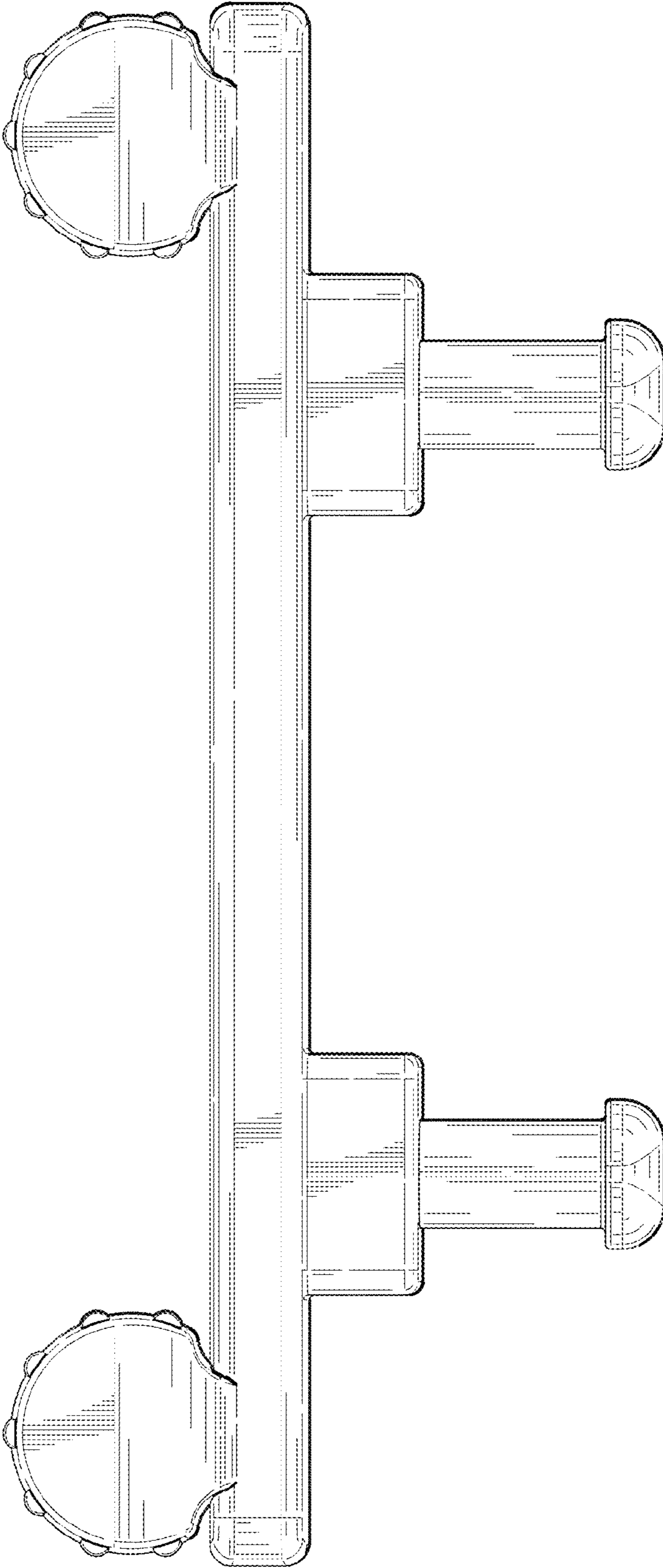


FIG. 2

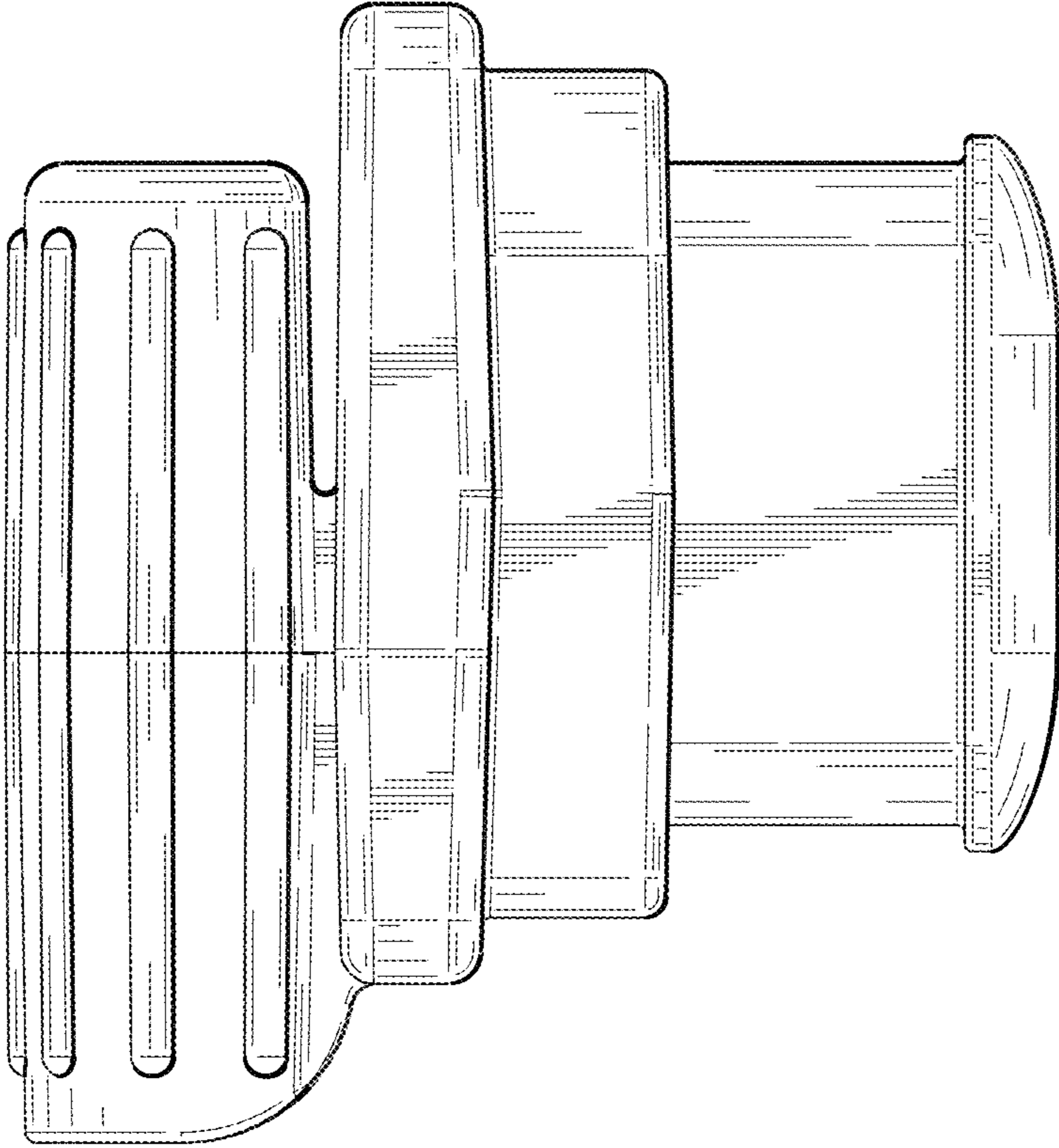


FIG. 3

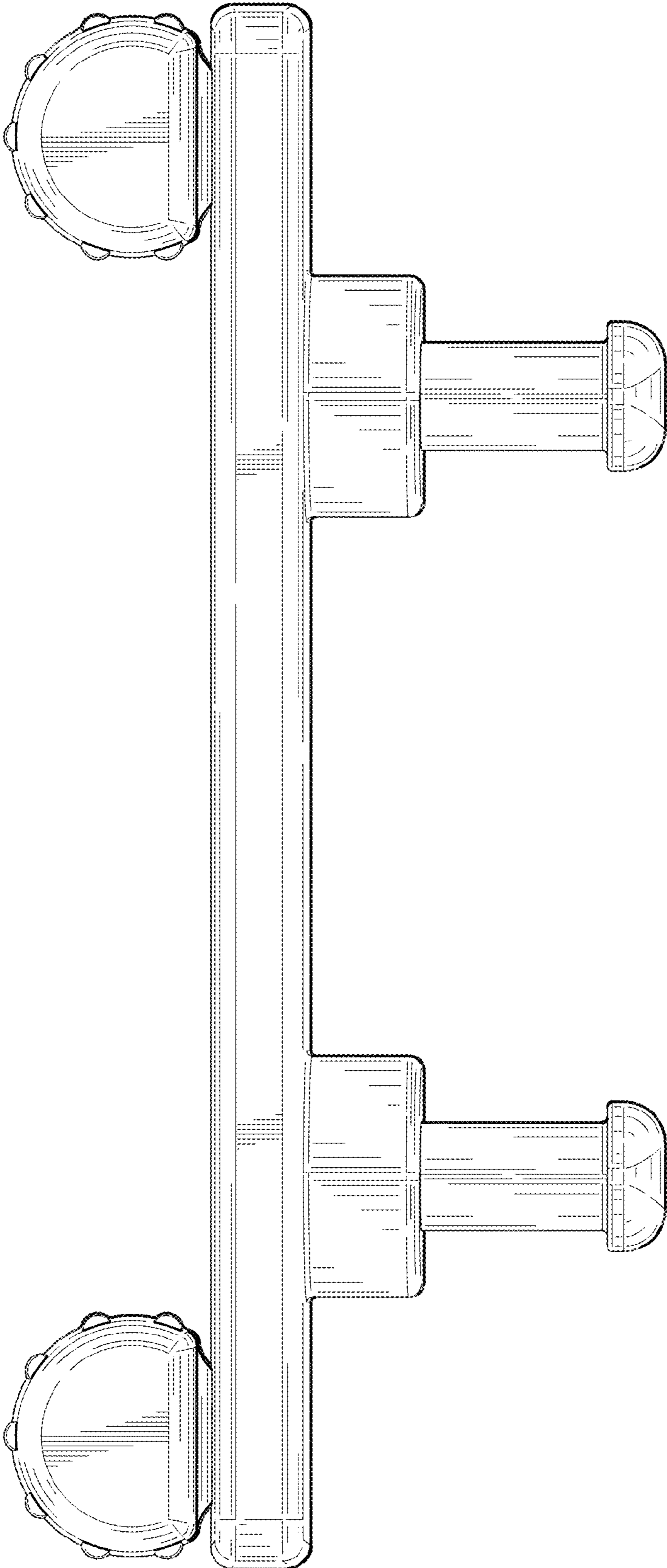


FIG. 4

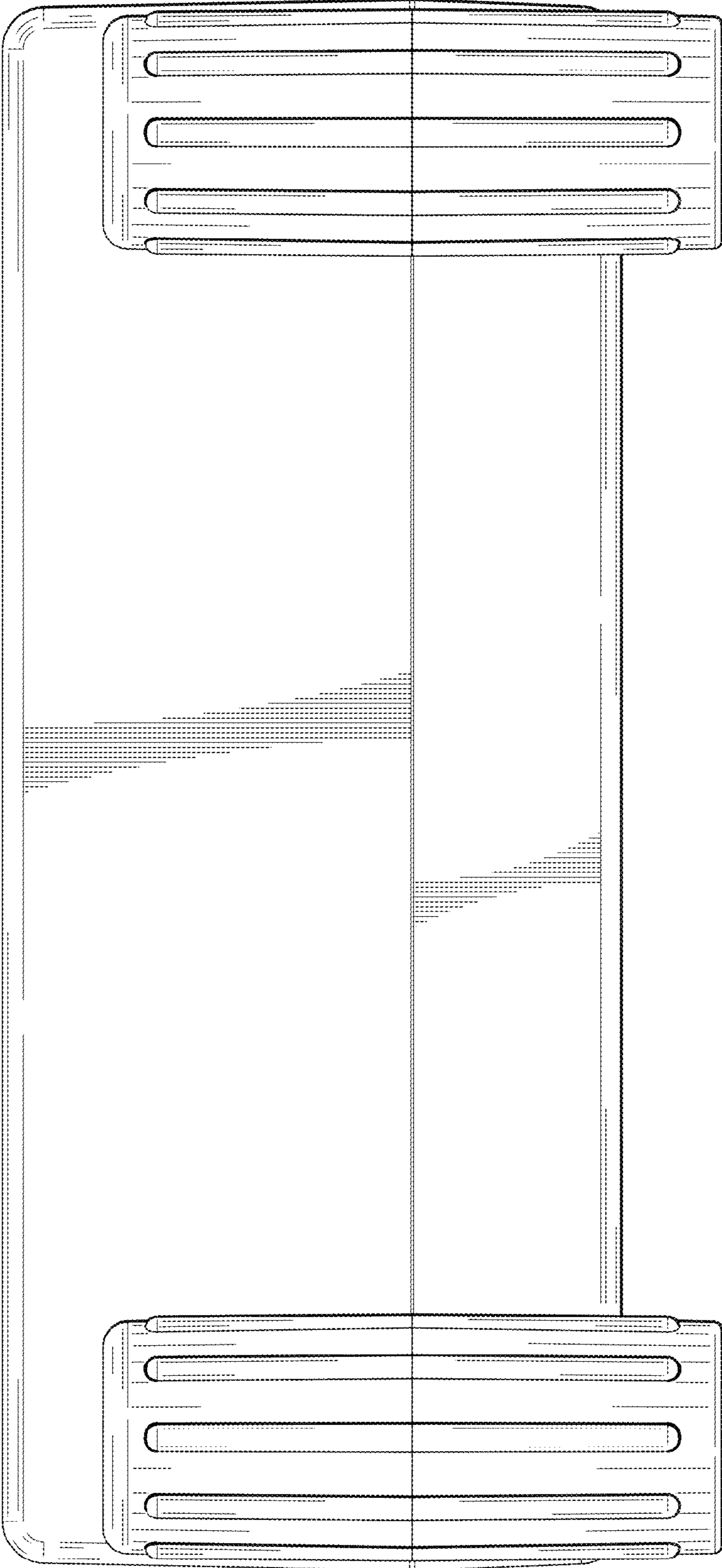


FIG. 5

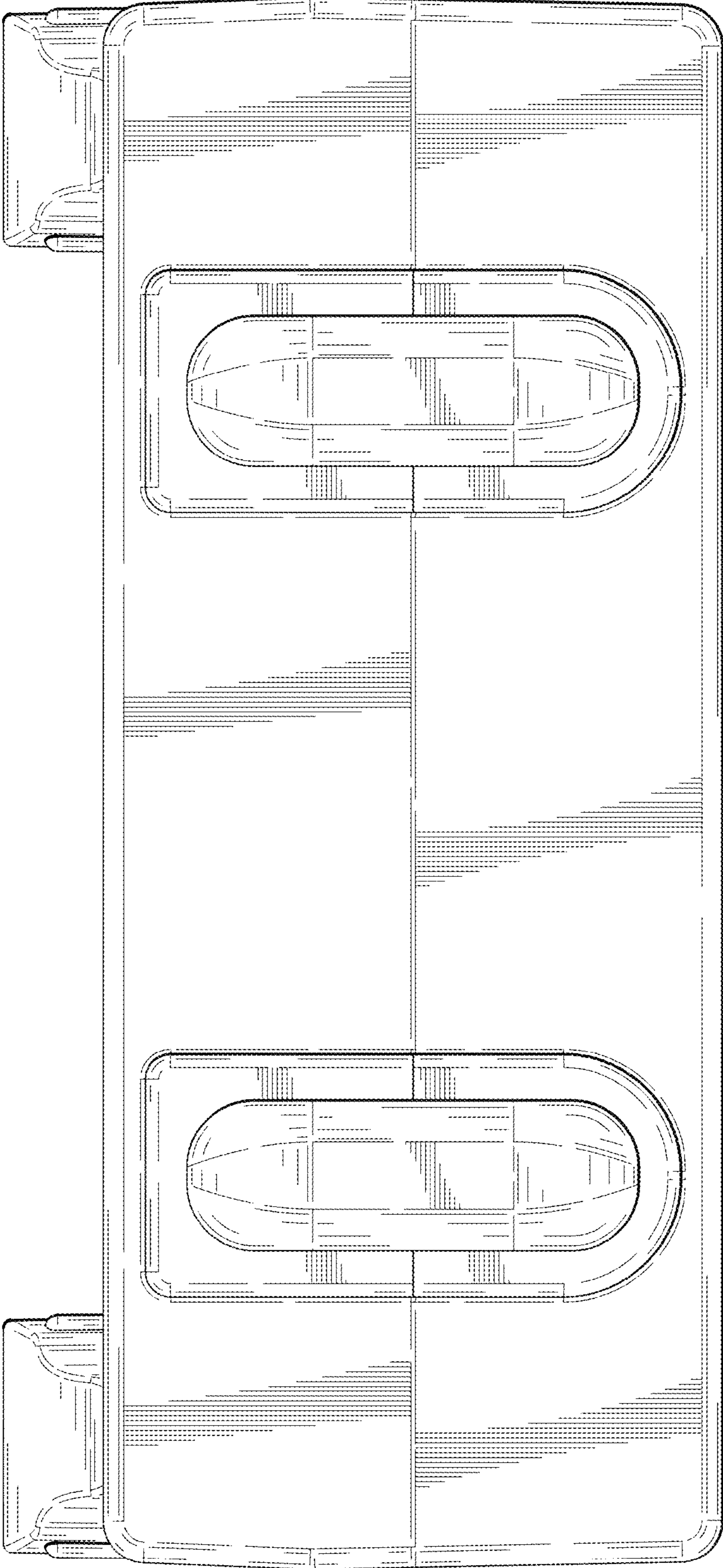


FIG. 6

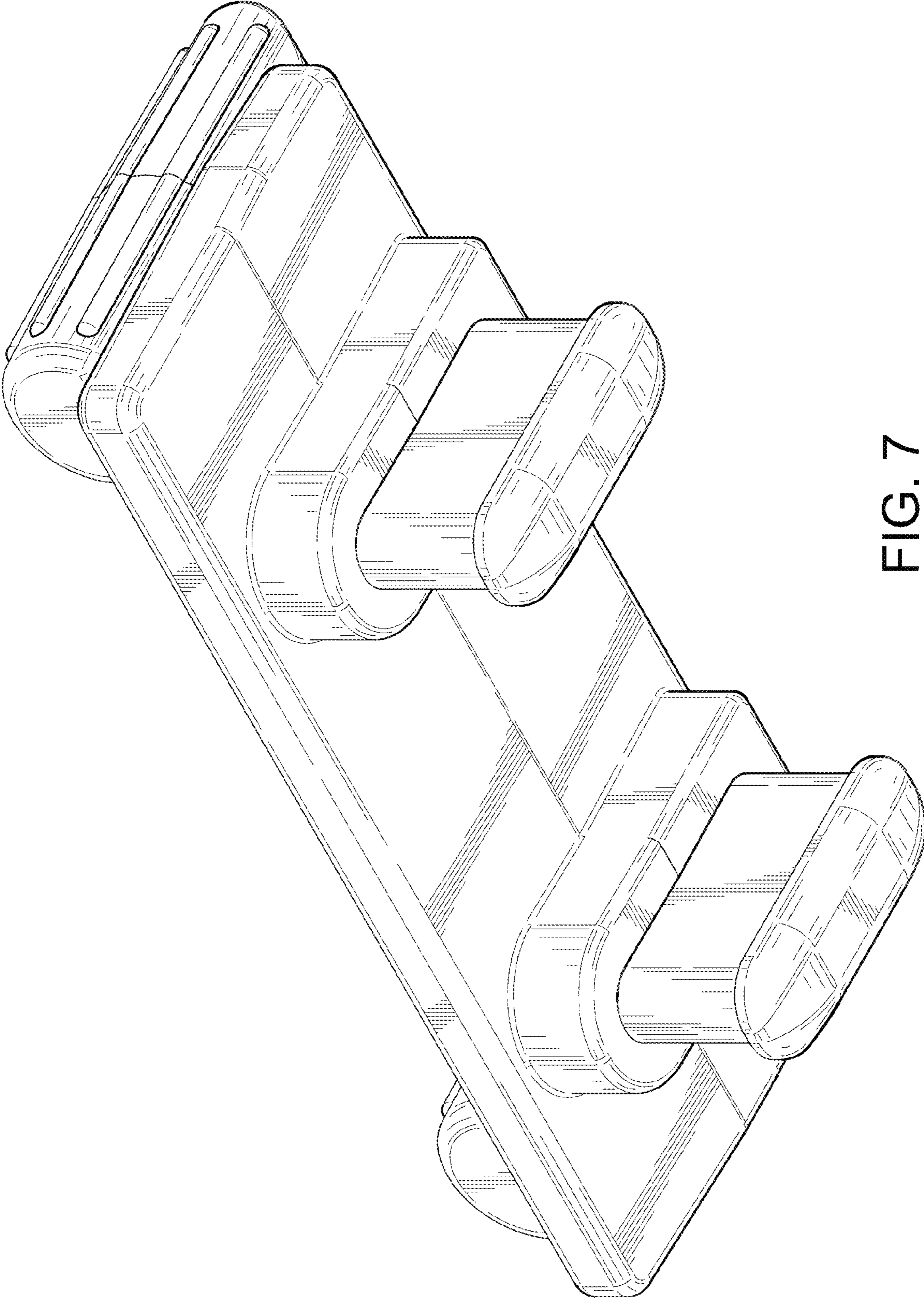


FIG. 7