



US00D724420S

(12) **United States Design Patent**  
**Lorenz**

(10) **Patent No.:** **US D724,420 S**  
(45) **Date of Patent:** **\*\* Mar. 17, 2015**

- (54) **FASTENER FOR A BED FRAME**
- (71) Applicant: **Lorenz Kunststofftechnik GmbH**,  
Wallenhorst (DE)
- (72) Inventor: **Thomas Lorenz**, Wallenhorst (DE)
- (\*\*) Term: **14 Years**
- (21) Appl. No.: **29/461,519**
- (22) Filed: **Jul. 24, 2013**
- (51) **LOC (10) Cl.** ..... **08-08**
- (52) **U.S. Cl.**  
USPC ..... **D8/382**
- (58) **Field of Classification Search**  
CPC .... A47C 23/06; A47C 23/062; A47C 19/005;  
A47C 19/021; A47C 19/04; A61G 2007/0514;  
A61H 2201/0142  
USPC ..... D8/382, 349, 354, 499, 395; D6/395,  
D6/382; D34/29; 411/458; 5/238, 236.1,  
5/246, 239; 52/480, 489.2, 585.1, 403.1;  
403/231, 232.1, 408.1, 349  
See application file for complete search history.

6,651,276	B2 *	11/2003	McCraw et al.	5/246
D610,440	S *	2/2010	Prichard et al.	D8/382
D632,164	S *	2/2011	Lappin	D8/382
8,806,829	B2 *	8/2014	Pelc et al.	52/585.1
2006/0053720	A1 *	3/2006	Oh	52/480
2014/0173824	A1 *	6/2014	Lorenz	5/238
2014/0201908	A1 *	7/2014	Lorenz	5/238

**FOREIGN PATENT DOCUMENTS**

DE 20 2013 100 290.9 \* 1/2013 ..... A47C 23/06  
\* cited by examiner

*Primary Examiner* — Sheryl Lane  
*Assistant Examiner* — Nicole Shiflet  
(74) *Attorney, Agent, or Firm* — Patricia M. Mathers

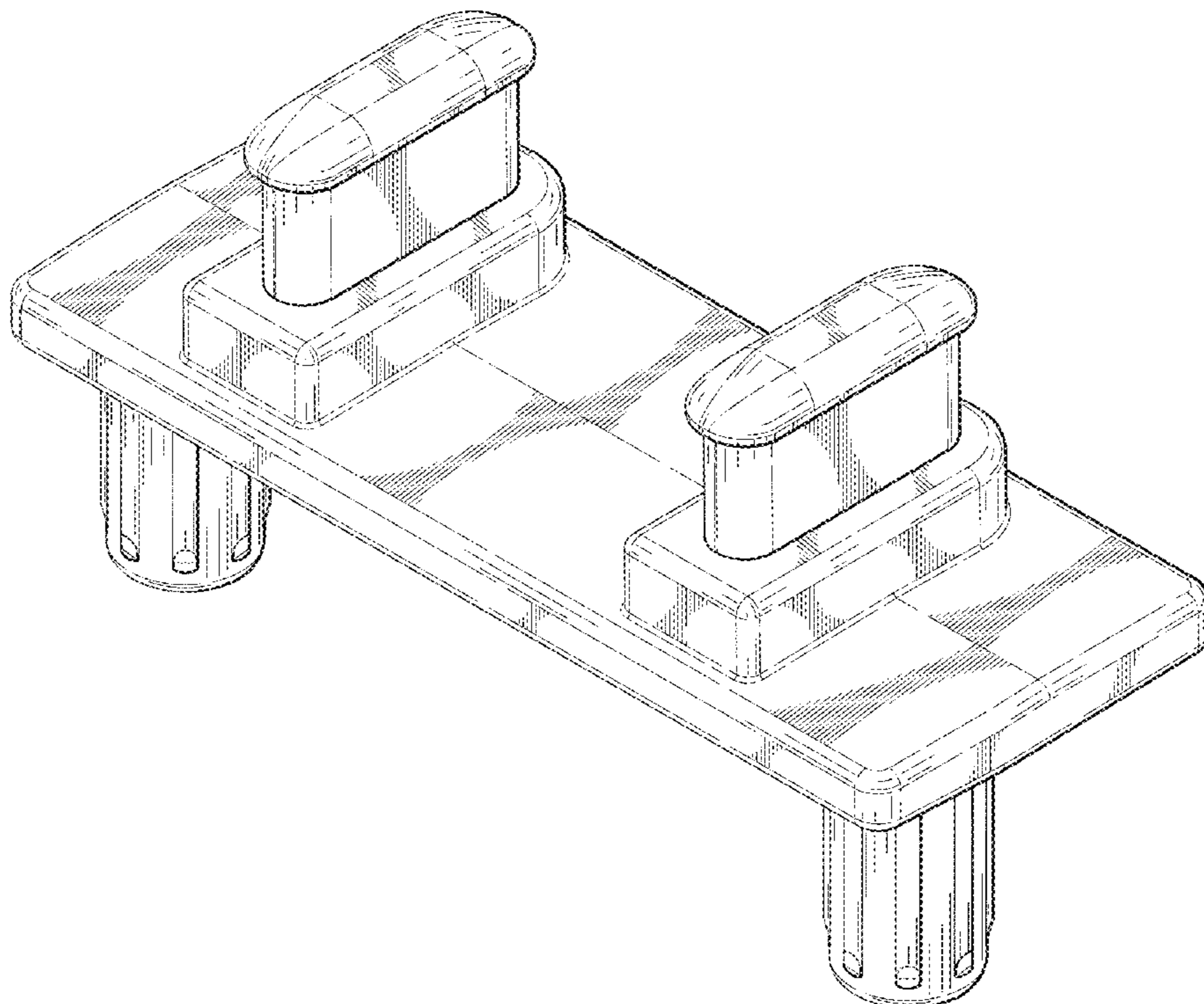
(57) **CLAIM**  
The ornamental design for a fastener for a bed frame, as shown and described.

**DESCRIPTION**

FIG. 1 is a top front right perspective view of the fastener.  
FIG. 2 is a front elevation view of the fastener.  
FIG. 3 is a right side elevation view of the fastener.  
FIG. 4 is a rear elevation view of the fastener.  
FIG. 5 is a top plan view of the fastener.  
FIG. 6 is a bottom plan view of the fastener; and,  
FIG. 7 is a bottom rear left perspective view of the fastener.

**1 Claim, 7 Drawing Sheets**

- (56) **References Cited**  
U.S. PATENT DOCUMENTS  
4,292,003 A \* 9/1981 Pond ..... 403/349  
5,433,052 A \* 7/1995 Niese ..... 52/403.1



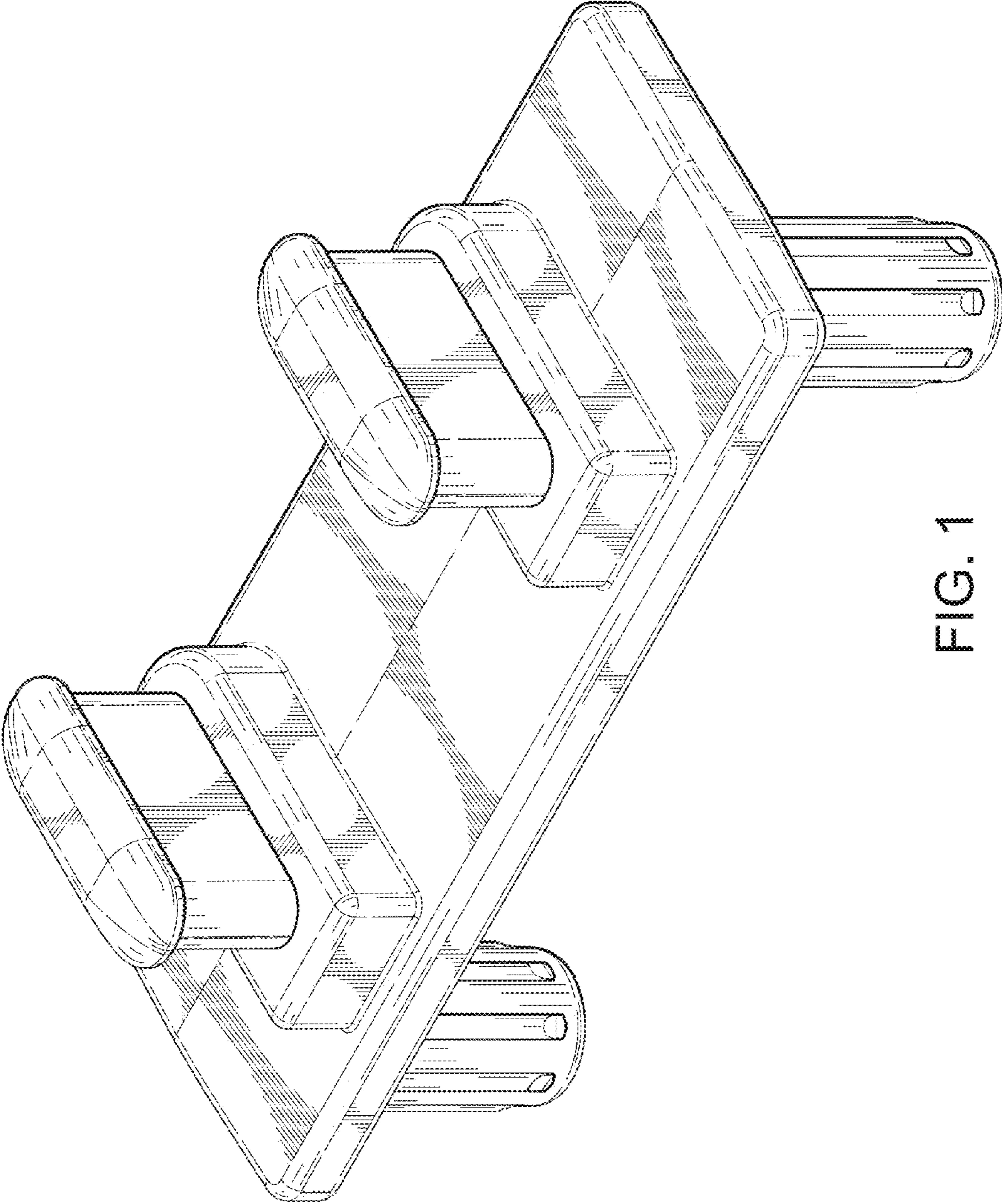


FIG. 1

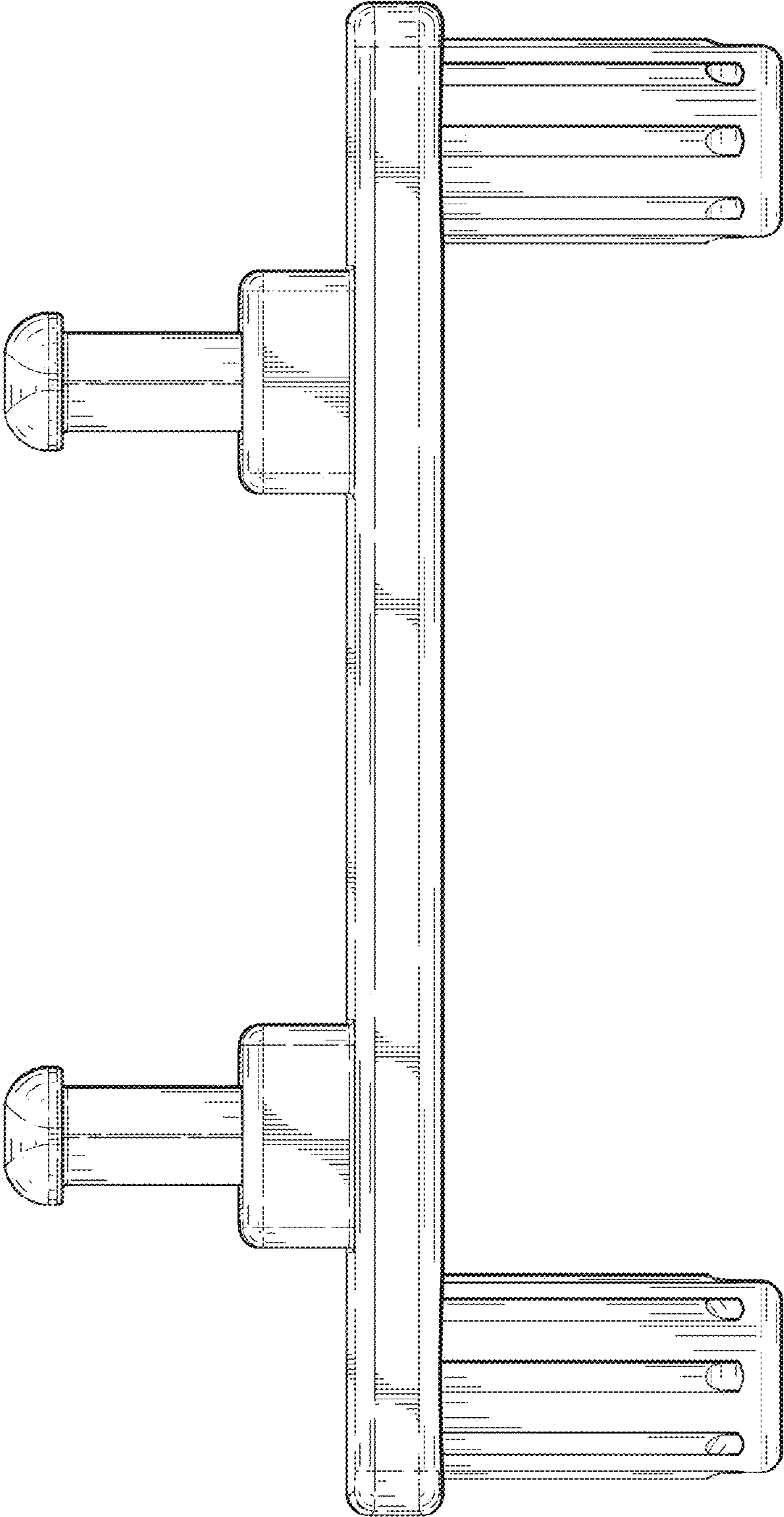


FIG. 2

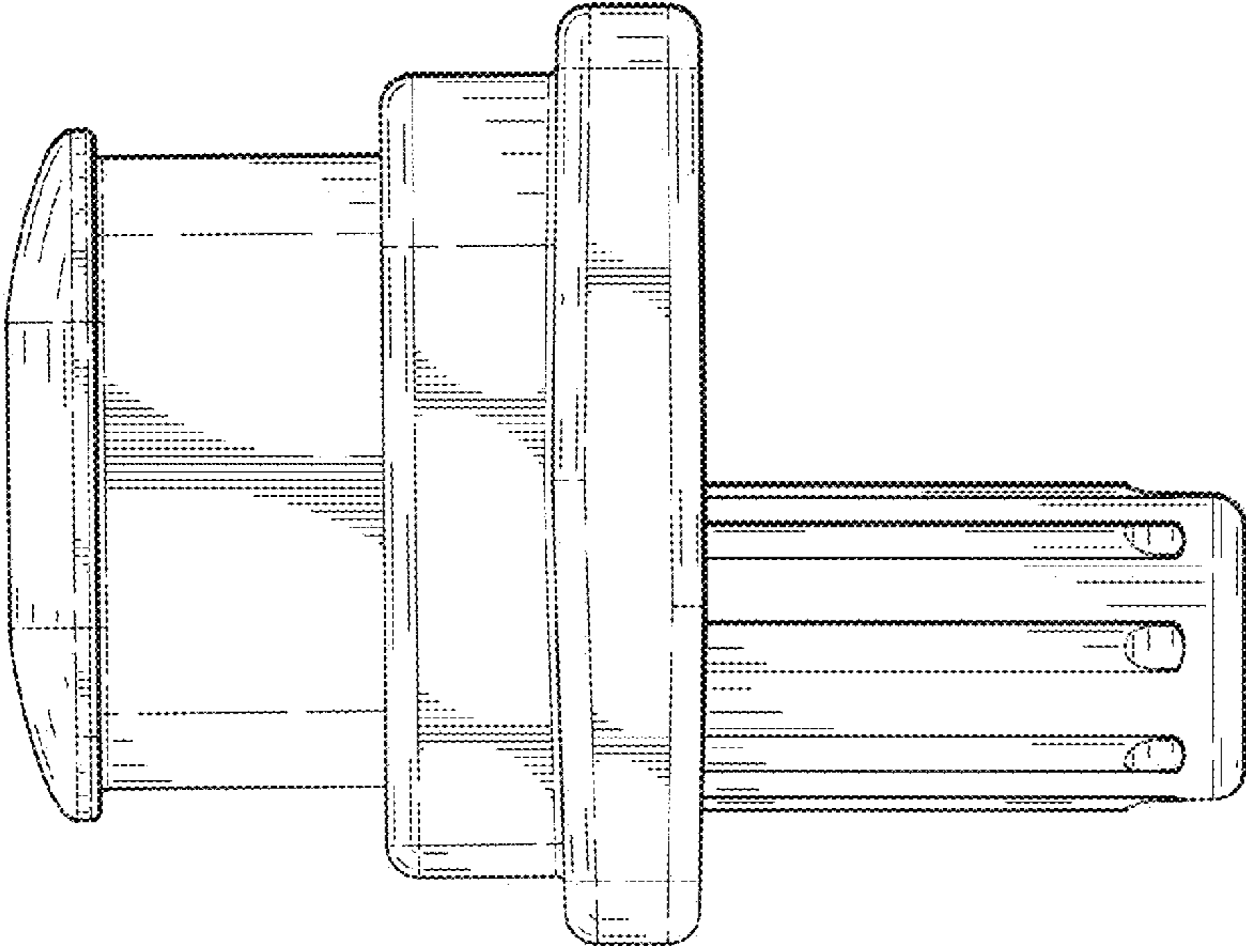


FIG. 3

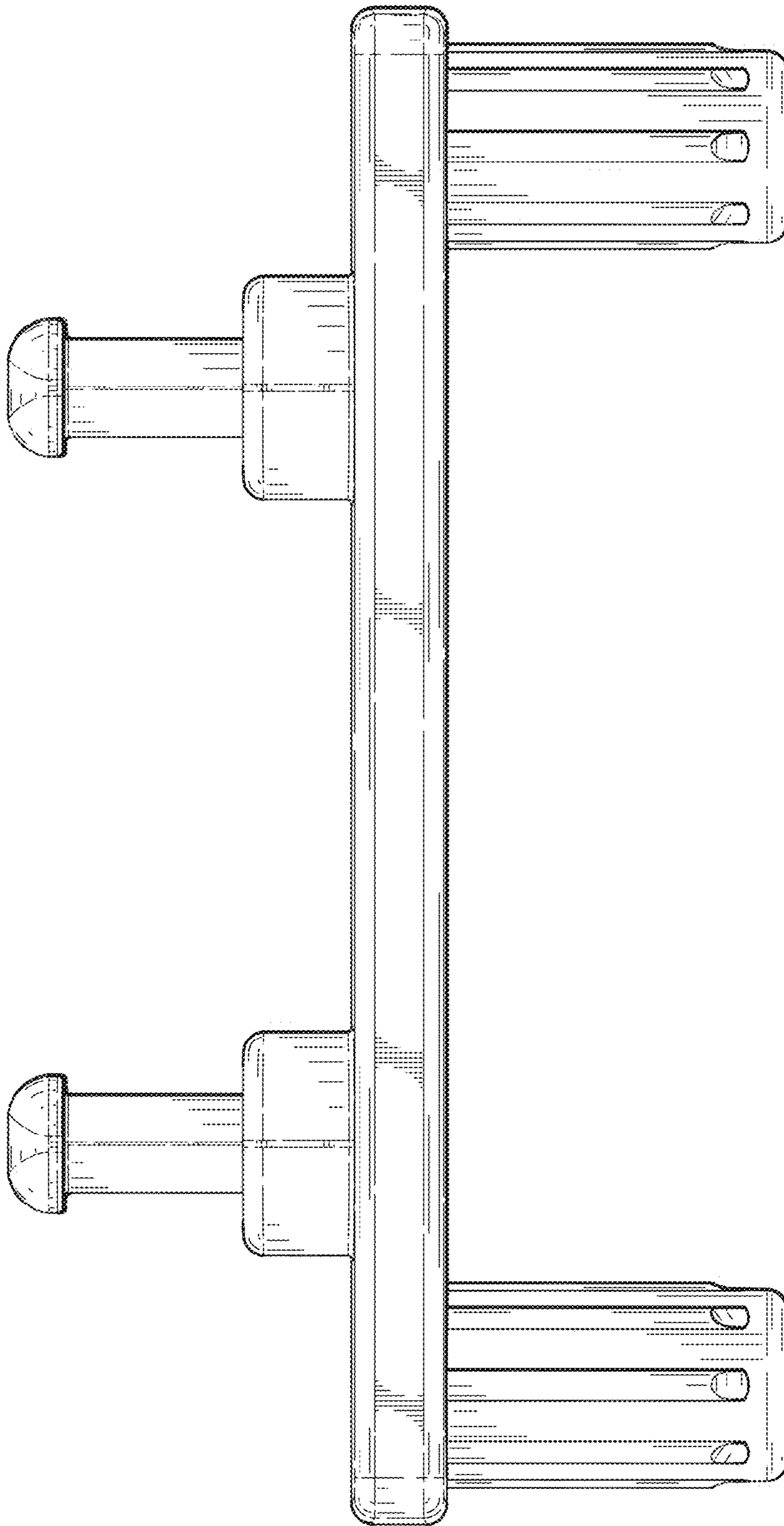


FIG. 4

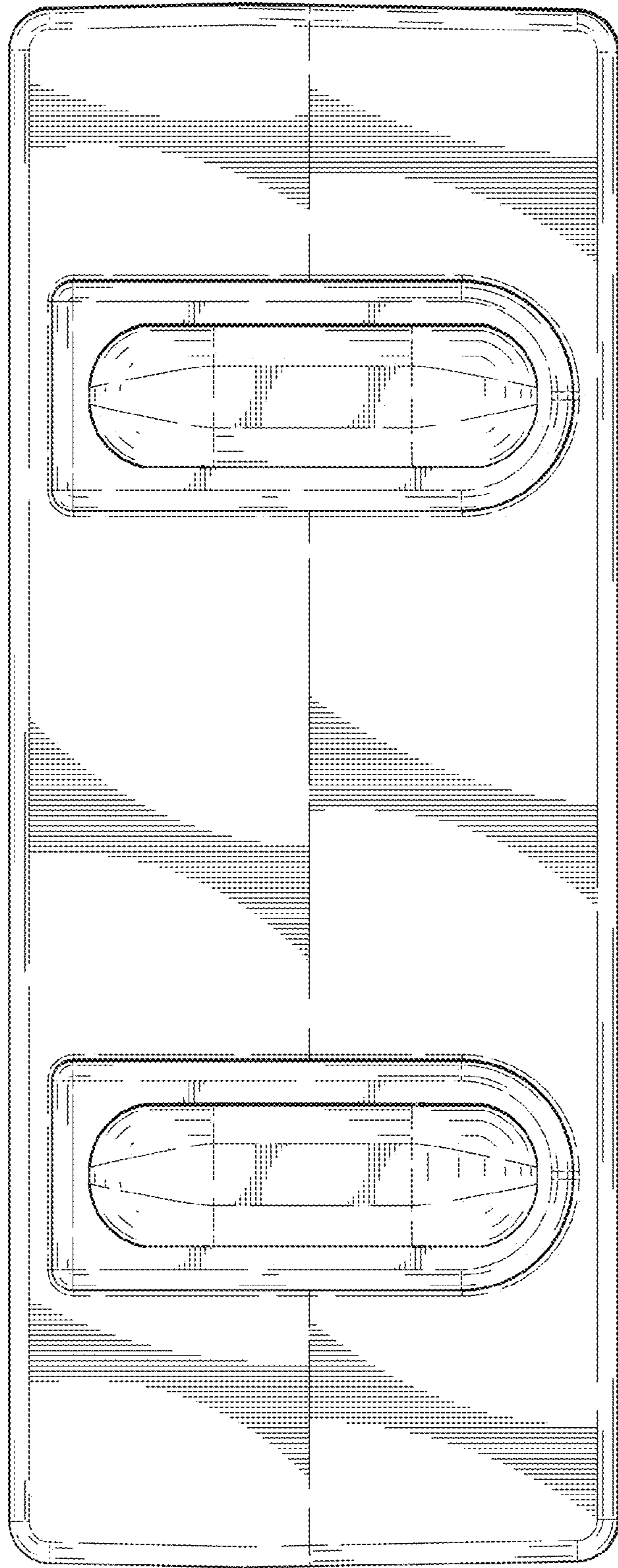


FIG. 5

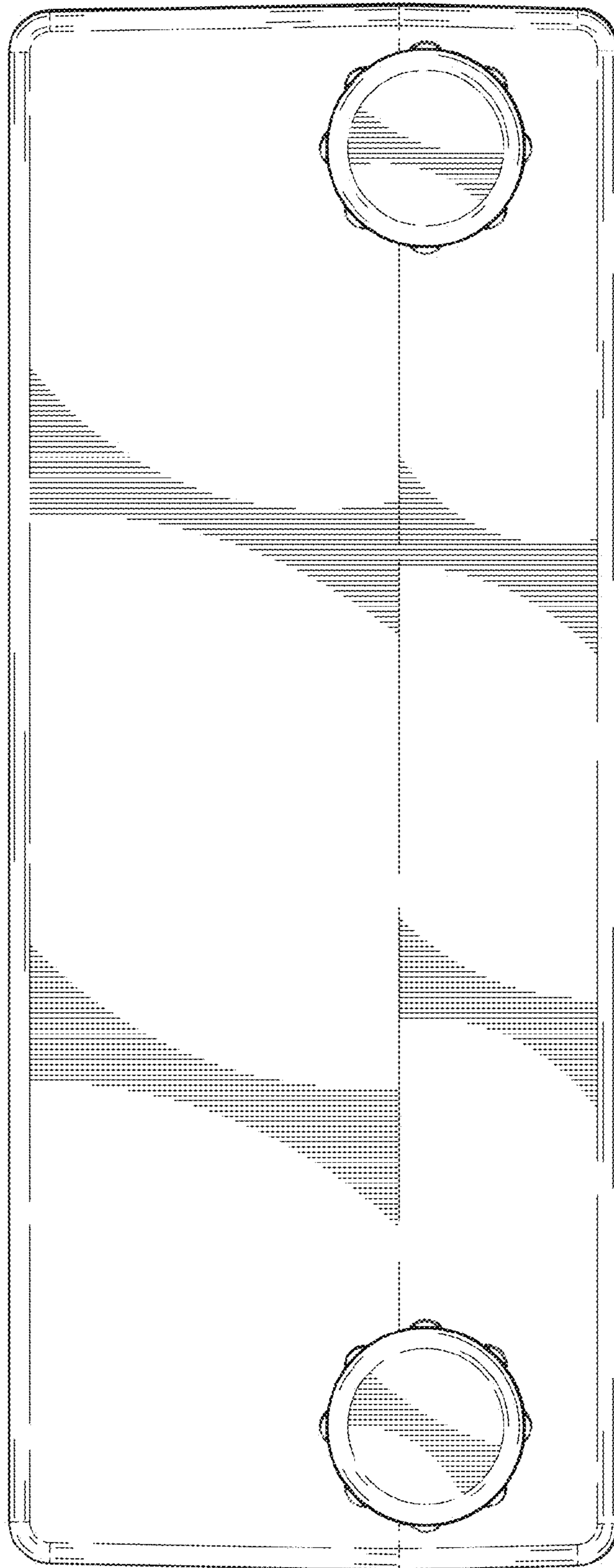


FIG. 6

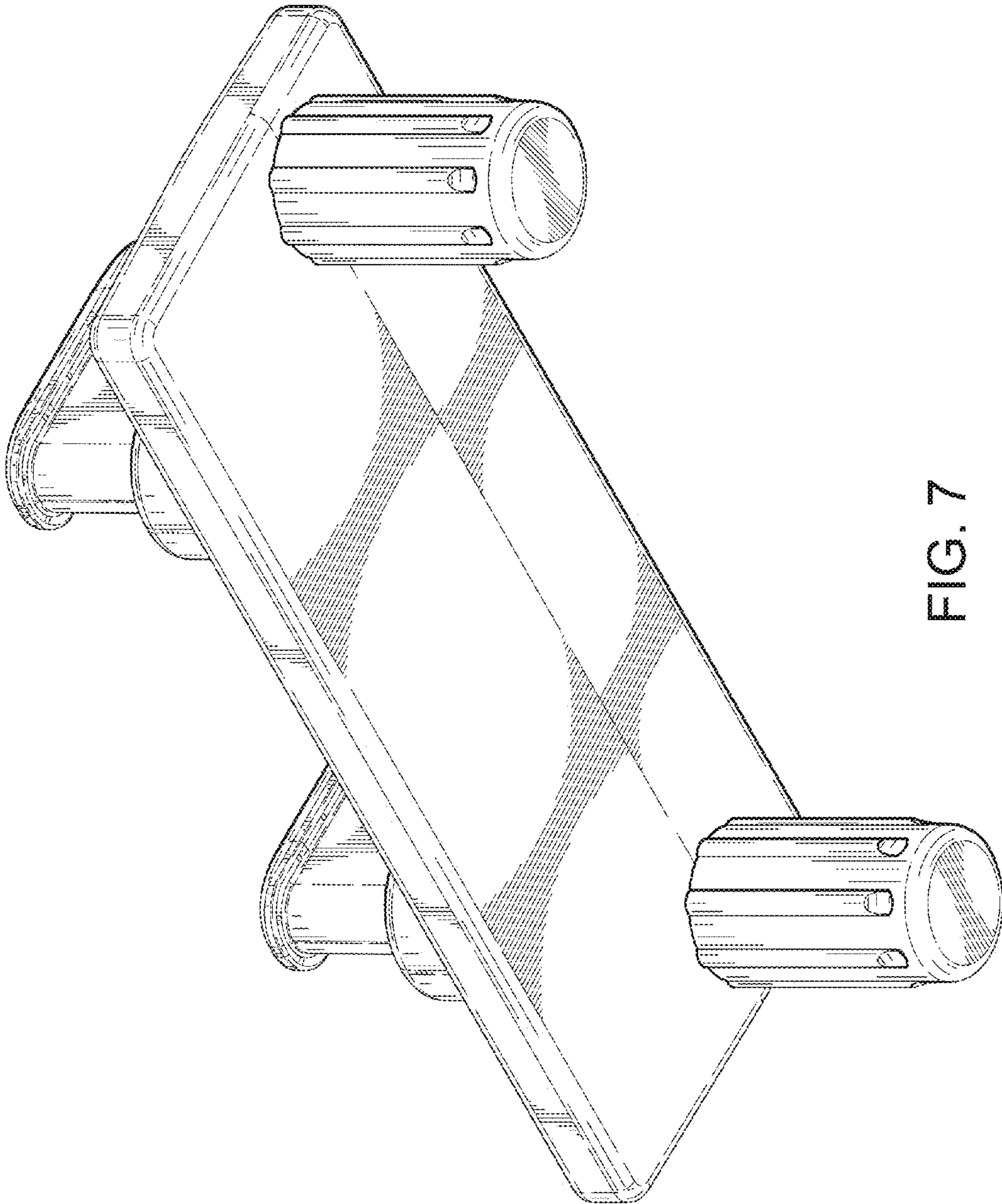


FIG. 7