



US00D724419S

(12) **United States Design Patent**  
**Ikeda**

(10) **Patent No.:** **US D724,419 S**  
(45) **Date of Patent:** **\*\* Mar. 17, 2015**

(54) **FASTENER**

FOREIGN PATENT DOCUMENTS

(71) Applicant: **Piolax, Inc.**, Yokohama-shi, Kanagawa (JP)

JP 2001099357 A \* 4/2001 ..... F16L 3/12  
JP 2002106519 A \* 4/2002 ..... F16B 2/22  
JP 2007315467 A \* 12/2007 ..... F16B 19/10

(72) Inventor: **Tetsuya Ikeda**, Yokohoma (JP)

\* cited by examiner

(73) Assignee: **Piolax, Inc.**, Yokohama-shi, Kanagawa (JP)

*Primary Examiner* — Sheryl Lane  
*Assistant Examiner* — Nicole Shiflet

(\*\*) Term: **14 Years**

(74) *Attorney, Agent, or Firm* — McGinn IP Law Group, PLLC

(21) Appl. No.: **29/456,089**

(22) Filed: **May 28, 2013**

(57) **CLAIM**

The ornamental design for a fastener, as shown and described.

(30) **Foreign Application Priority Data**

Nov. 30, 2012 (JP) ..... 2012-029300

(51) **LOC (10) Cl.** ..... **08-08**

(52) **U.S. Cl.**  
USPC ..... **D8/382**

(58) **Field of Classification Search**  
CPC ..... F16B 1/0014; F16B 21/186; F16B 21/06;  
F16B 25/0015; F16B 25/0063; F16B 5/125;  
F16B 5/128; B25B 15/008; F16L 3/12;  
F16L 19/10  
USPC ..... D8/382, 349, 354, 348, 385, 387, 388;  
249/213; 24/347; 411/520, 527, 510,  
411/509, 48, 344; 403/300, 298; 40/310  
See application file for complete search history.

**DESCRIPTION**

FIG. 1 is a perspective view of front, bottom and left side of a fastener according to my new design;  
FIG. 2 is a front view thereof, the rear view being a mirror image;  
FIG. 3 is a right side view thereof, the left side view being a mirror image;  
FIG. 4 is a top view thereof;  
FIG. 5 is a bottom view thereof;  
FIG. 6 is a cross-sectional view taken along line 6-6 in FIG. 4;  
FIG. 7 is a cross-sectional view taken along line 7-7 in FIG. 4;  
FIG. 8 is a cross-sectional view taken along line 8-8 in FIG. 2;  
FIG. 9 is a cross-sectional view taken along line 9-9 in FIG. 2;  
and,  
FIG. 10 is a view showing usage thereof.  
The broken lines in FIGS. 1-9 represent portions of the article and form no part of the claimed design. The broken lines in FIG. 10 represent portions of the article as well as environmental structure, showing usage thereof, and form no part of the claimed design. The dash-dot lines represent boundaries between the claimed portion and unclaimed portion.

(56) **References Cited**

U.S. PATENT DOCUMENTS

265,863 A \* 10/1882 Quiggle ..... 40/310  
3,327,988 A \* 6/1967 Bridges ..... 249/213  
D282,906 S \* 3/1986 Marshall ..... D8/382  
D381,258 S \* 7/1997 Saito ..... D8/382  
D566,535 S \* 4/2008 Asano et al. .... D8/382  
D704,539 S \* 5/2014 Fujiwara ..... D8/382  
2008/0298925 A1 \* 12/2008 Shinozaki ..... 411/48

**1 Claim, 10 Drawing Sheets**

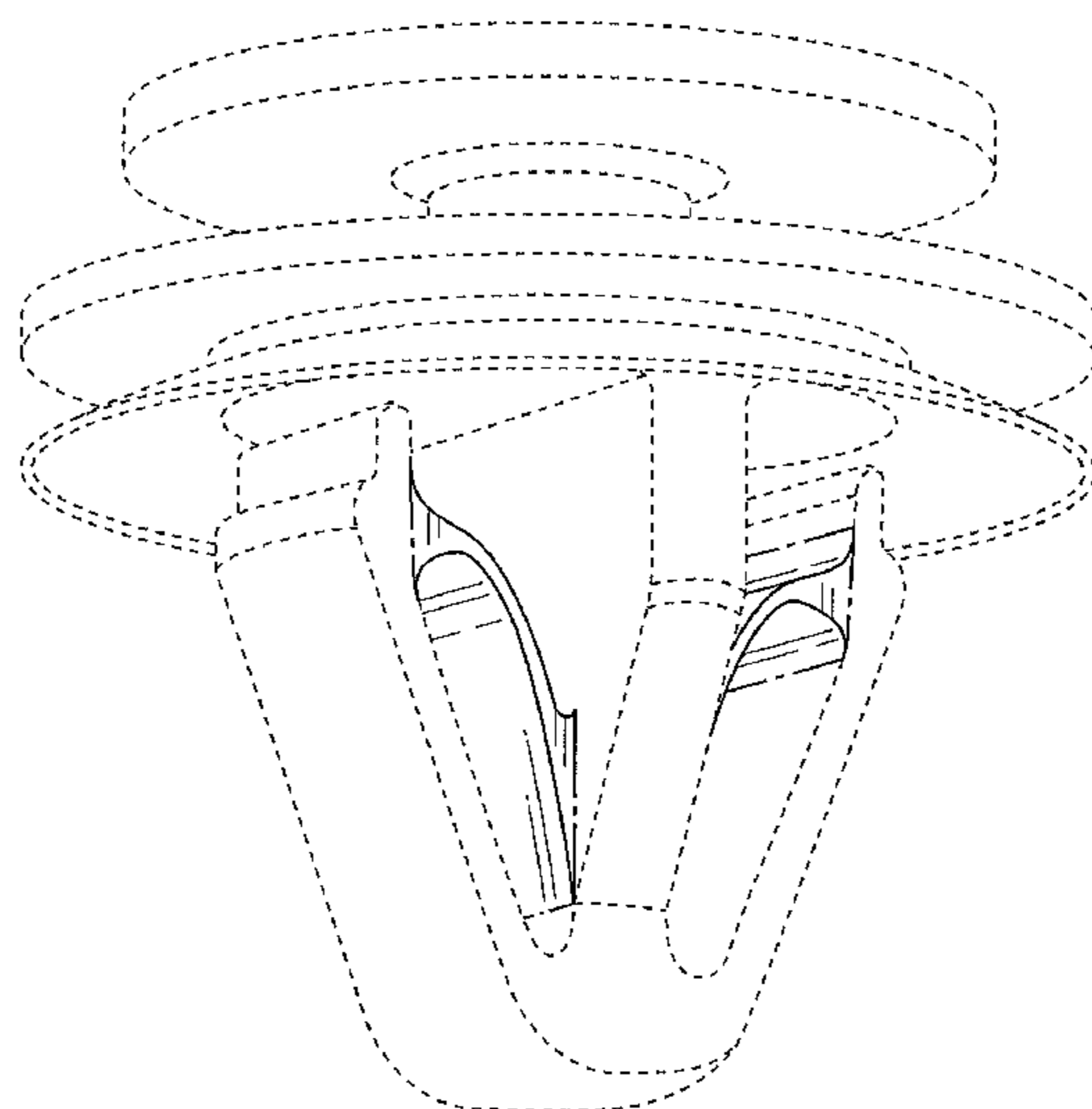


Fig. 1

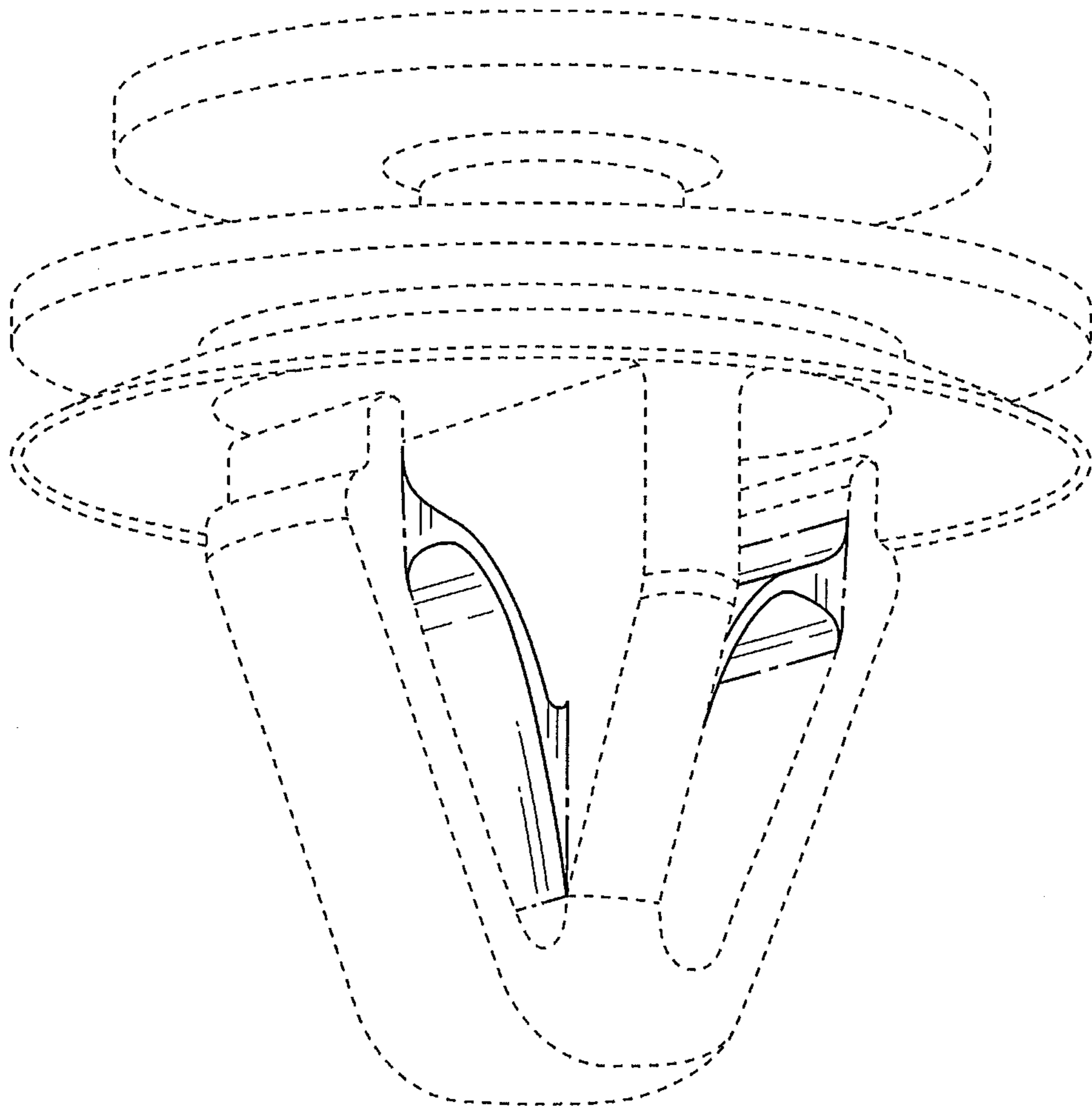


Fig. 2

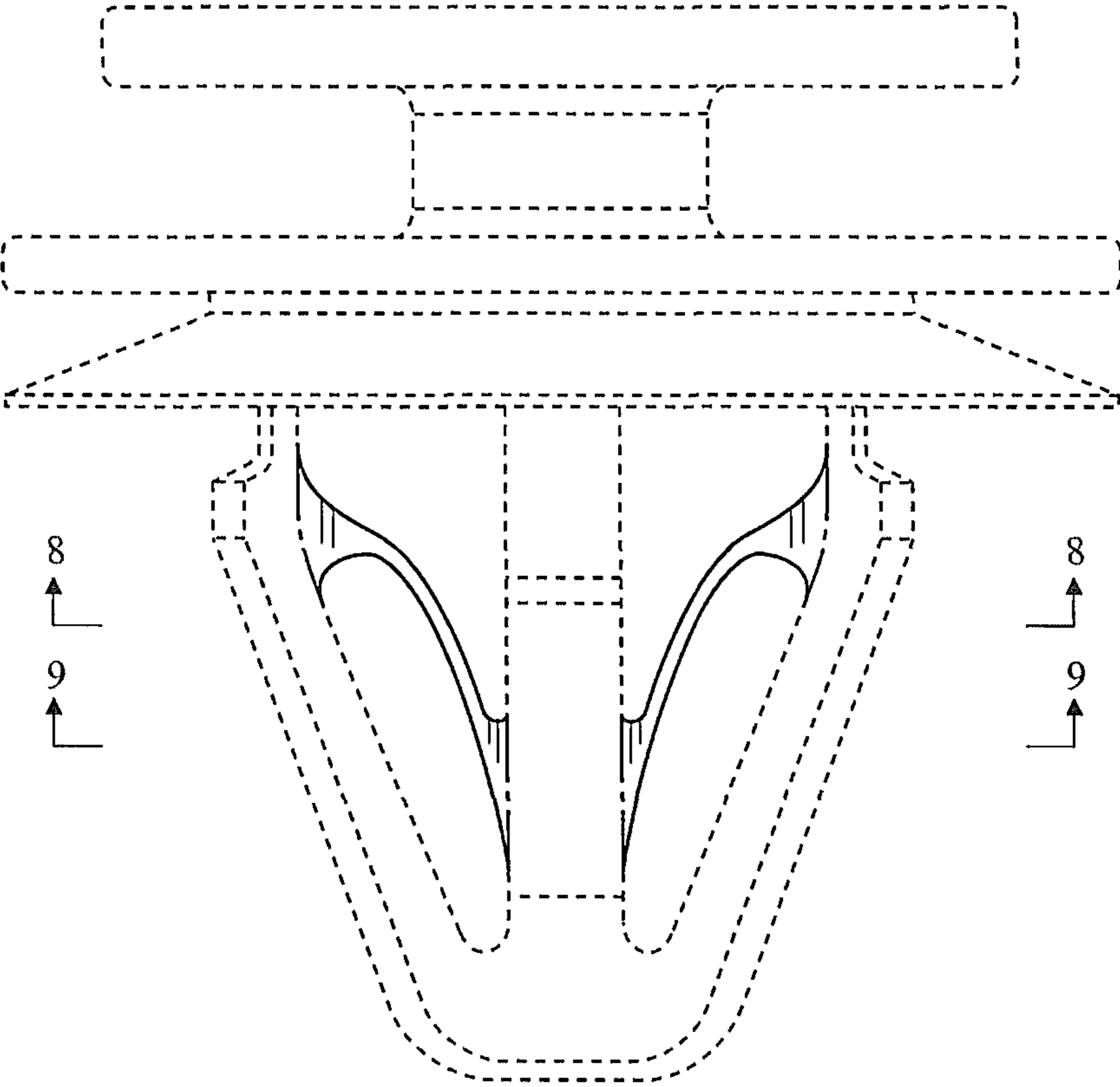


Fig. 3

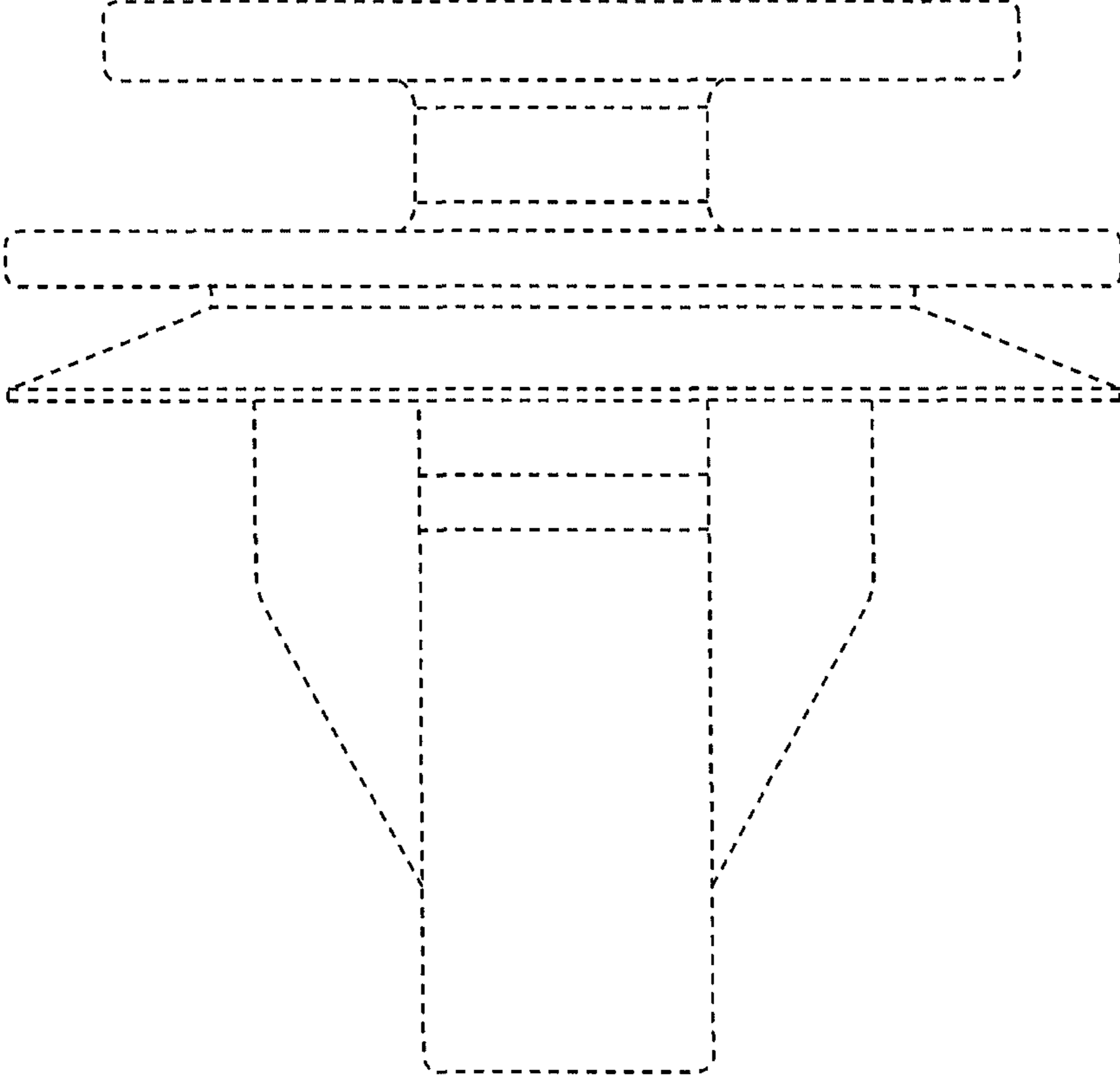


Fig. 4

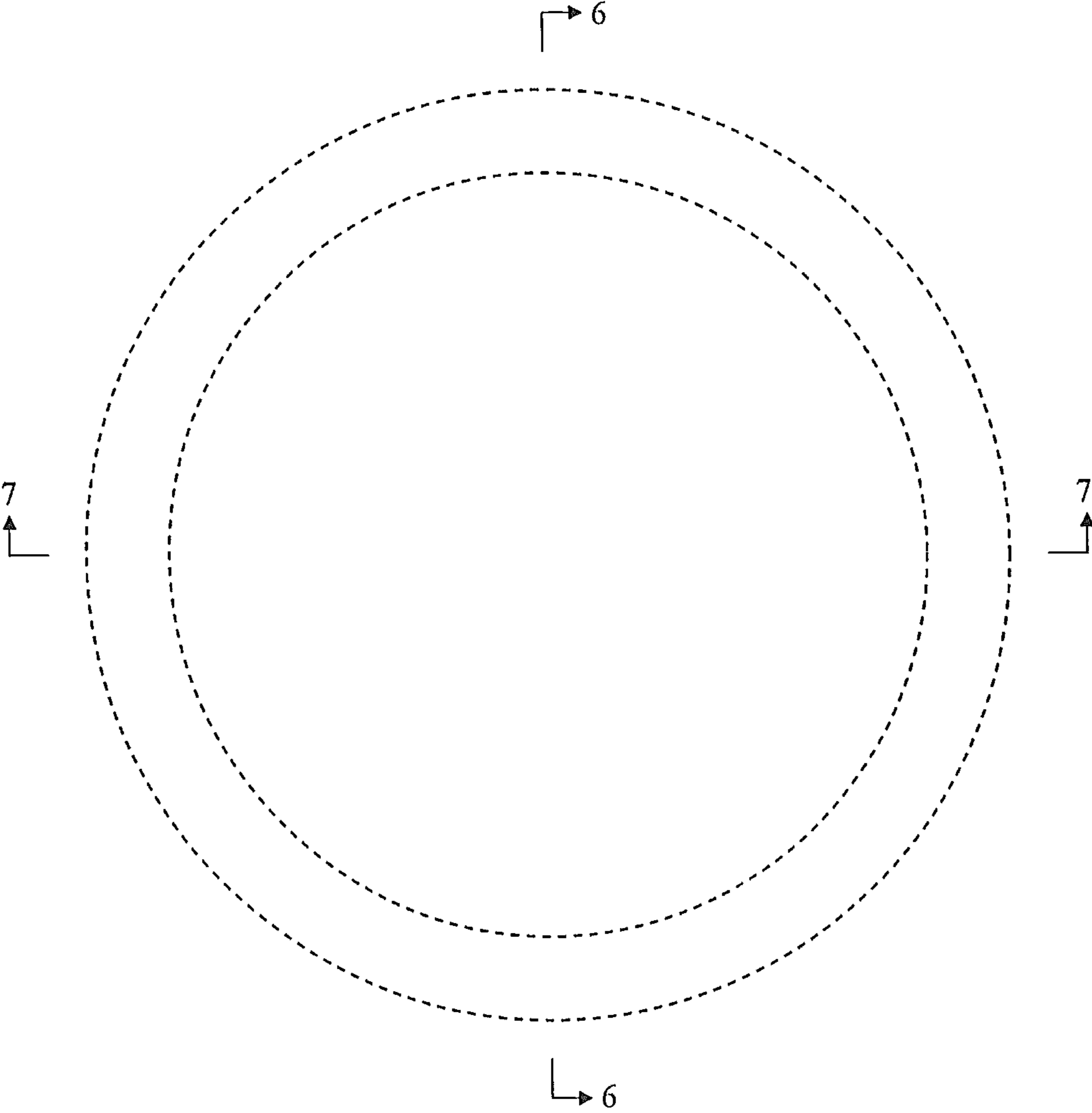


Fig. 5

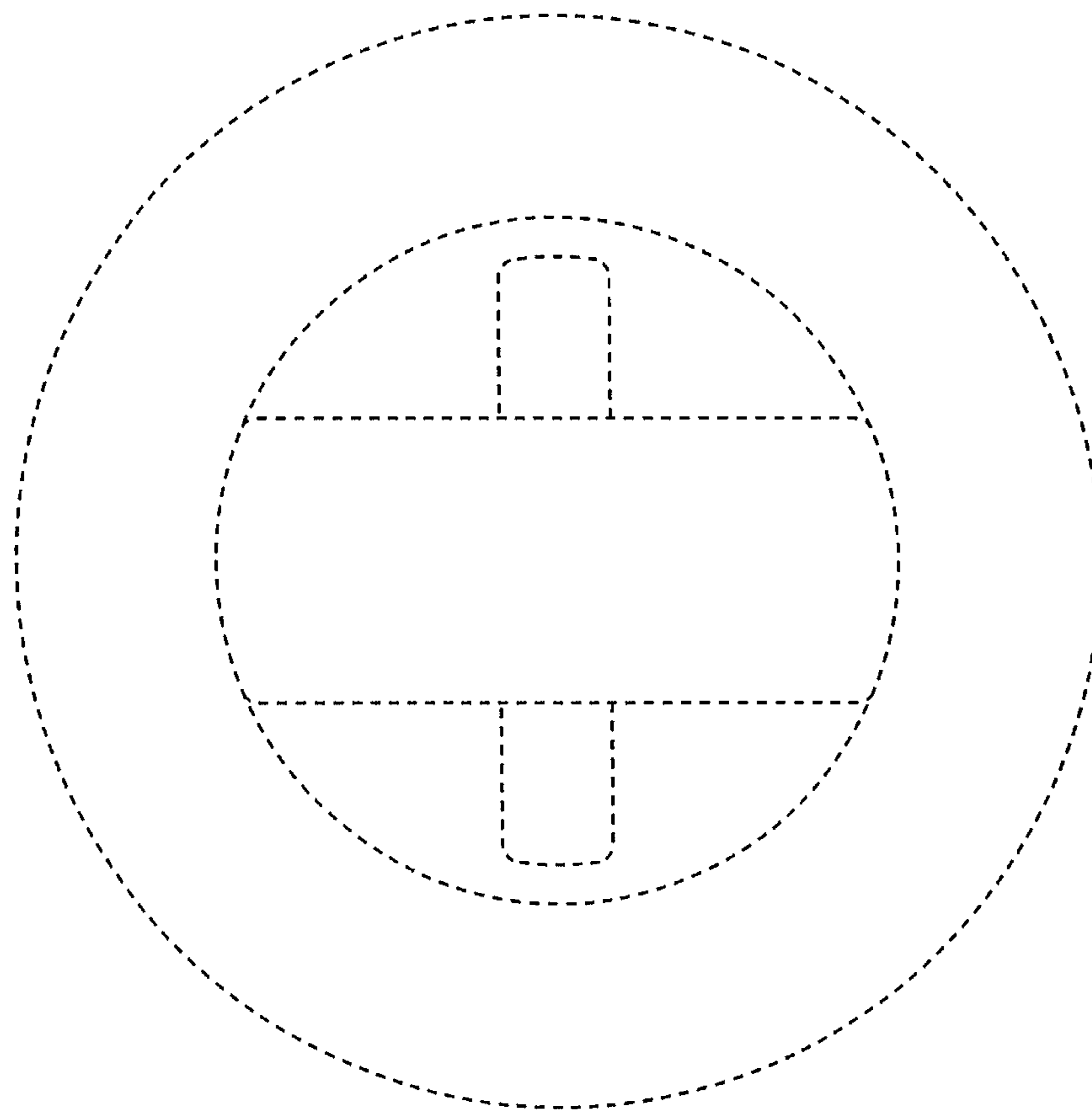


Fig. 6

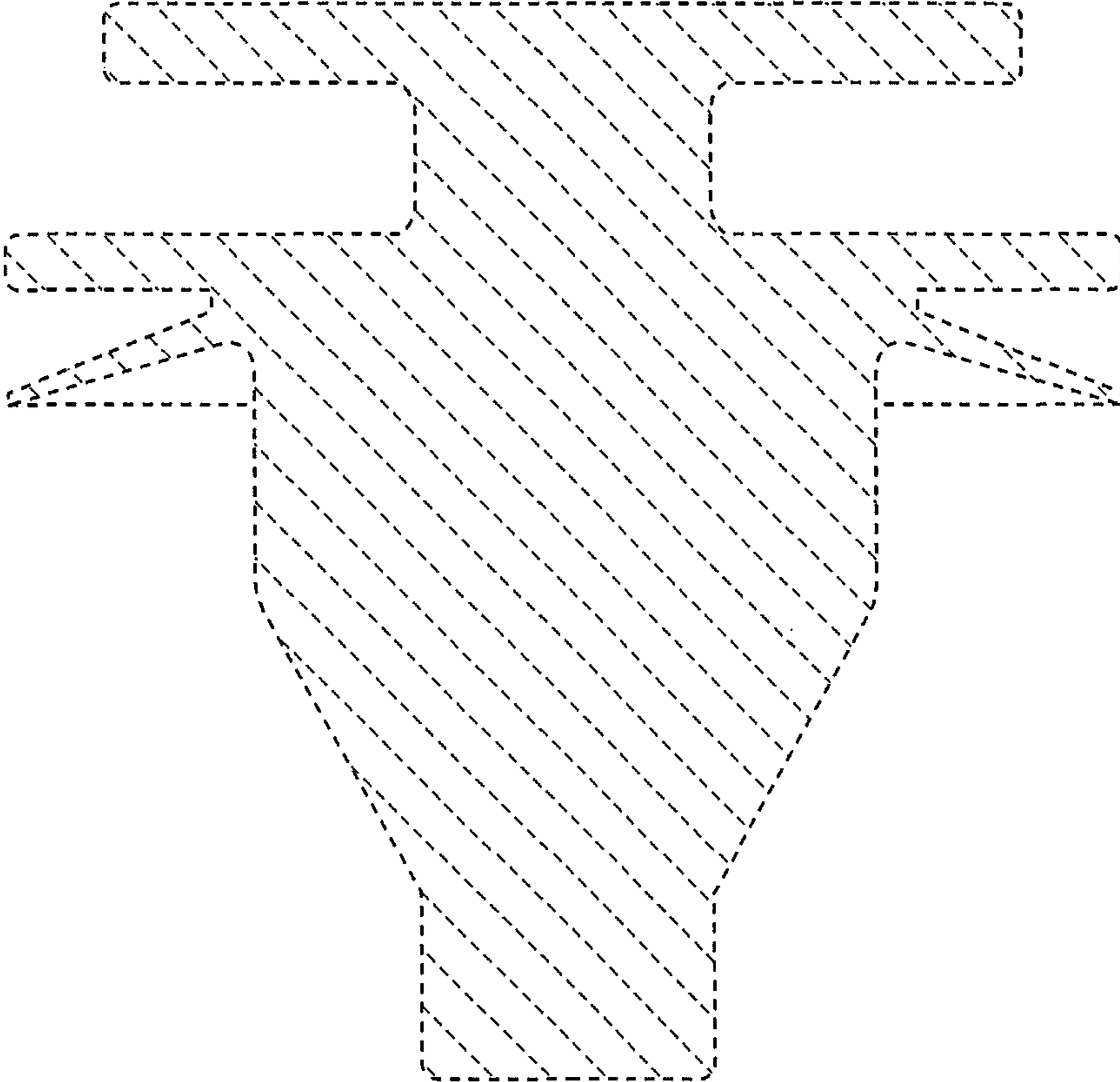


Fig. 7

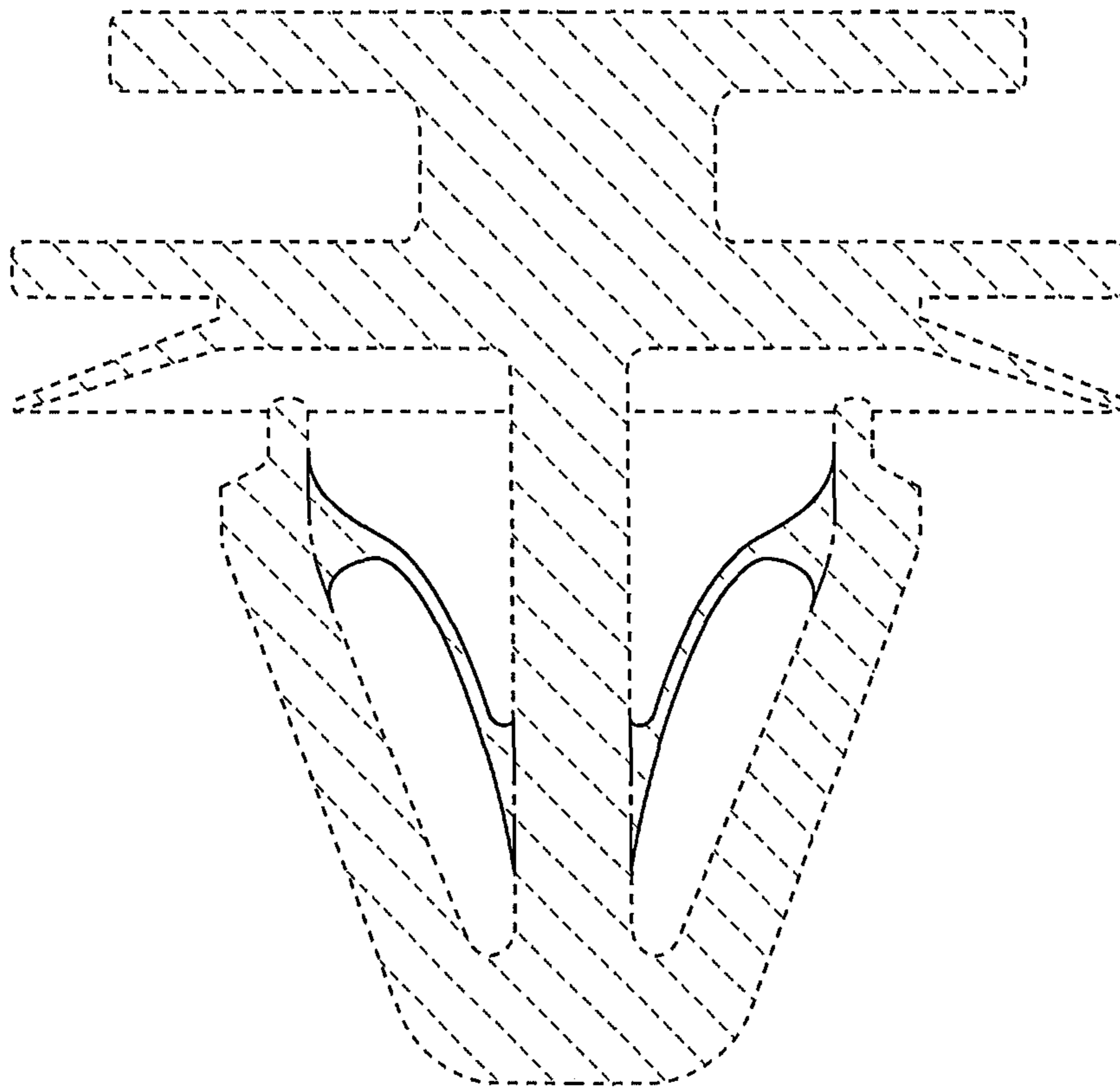




Fig. 8

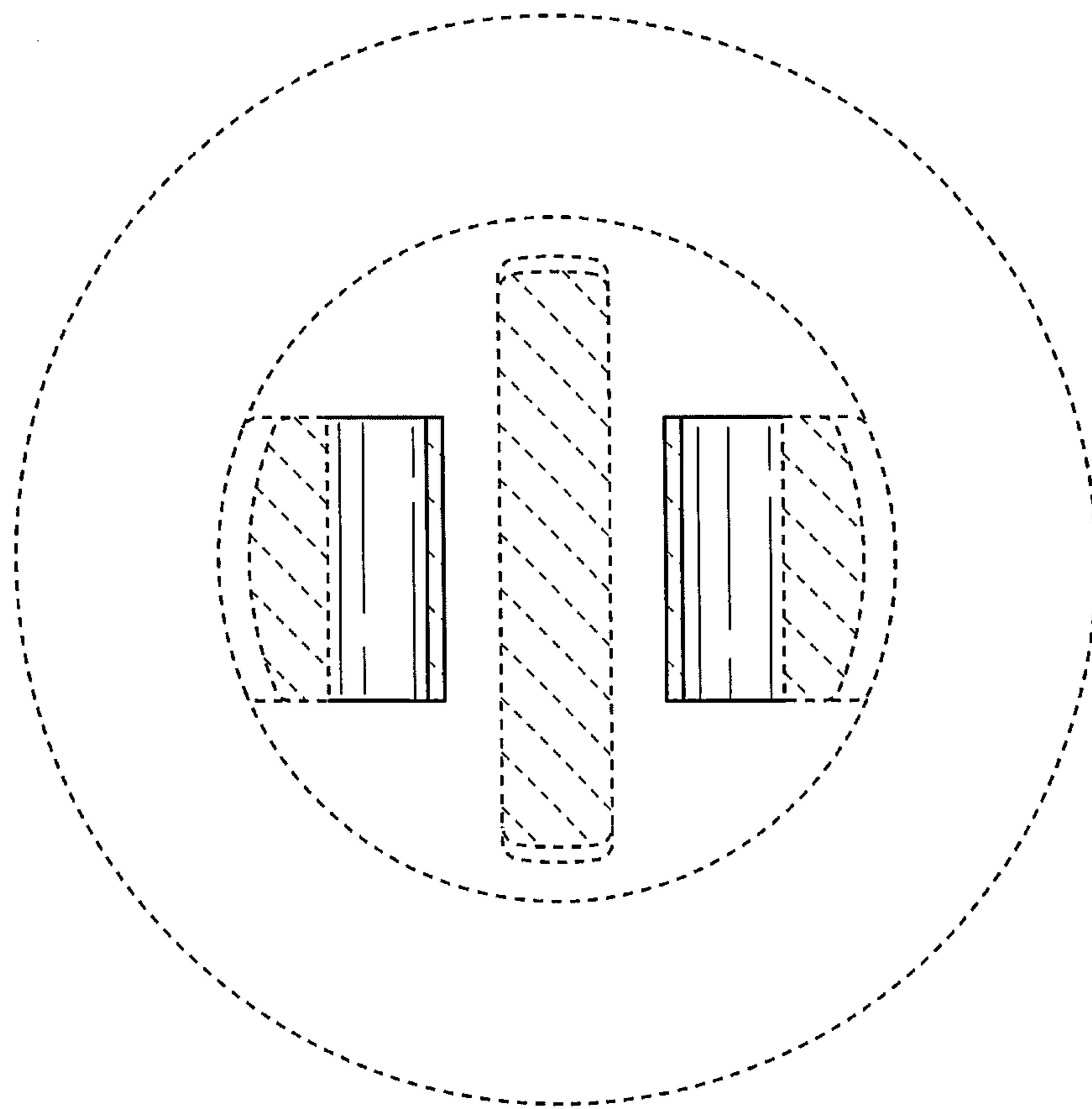


Fig. 9

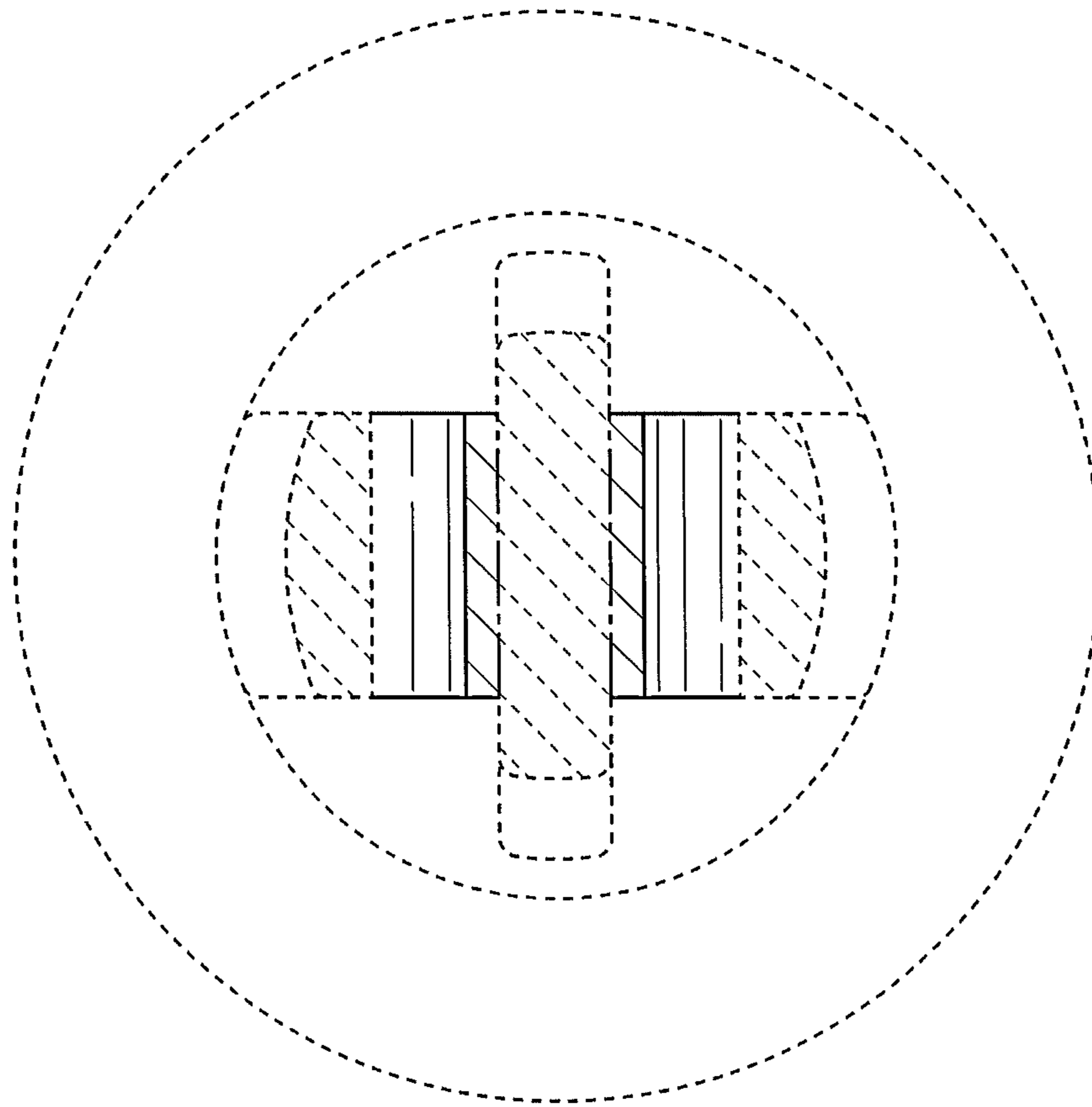


Fig. 10

