



US00D724418S

(12) **United States Design Patent**  
**Fairchild**

(10) **Patent No.:** **US D724,418 S**  
(45) **Date of Patent:** **\*\* Mar. 17, 2015**

(54) **REINFORCING BAR SUPPORT FOR BOND BEAM BLOCKS**

(71) Applicant: **Michael Wayne Fairchild**, Arlington, TX (US)

(72) Inventor: **Michael Wayne Fairchild**, Arlington, TX (US)

(\*\*) Term: **14 Years**

(21) Appl. No.: **29/451,119**

(22) Filed: **Mar. 28, 2013**

(51) **LOC (10) Cl.** ..... **08-05**

(52) **U.S. Cl.**  
USPC ..... **D8/380**

(58) **Field of Classification Search**  
USPC ..... D8/380, 349, 354, 381, 373, 367, 355, D8/363, 382, 374, 339, 376, 398, 47, 19, D8/16; 119/705; 52/4, 260, 649.1, 649.2, 52/296; D6/702, 550, 310; D23/259; 482/16; D12/160; D25/133; D14/238, D14/251, 447, 253; 224/250, 269, 901.4, 224/930, 242, 246, 669; 24/16 R; 248/59, 248/62, 58, 68.1, 295.11; D7/701; D3/218, D3/220; D52/677

See application file for complete search history.

(56) **References Cited**

**U.S. PATENT DOCUMENTS**

3,282,054	A *	11/1966	Saginer	.....	405/262
D443,197	S *	6/2001	Padrun	.....	D8/354
D463,250	S *	9/2002	Valentz	.....	D8/349
D488,053	S *	4/2004	Murphy	.....	D8/354
6,779,304	B2 *	8/2004	Murphy	.....	49/57
D500,667	S *	1/2005	Murphy et al.	.....	D8/354

D536,240	S *	2/2007	Vejmarker	.....	D8/354
D558,039	S *	12/2007	Skinner	.....	D8/382
D558,040	S *	12/2007	Skinner	.....	D8/382
D558,041	S *	12/2007	Skinner	.....	D8/382
D572,570	S *	7/2008	Terada et al.	.....	D8/354
D627,623	S *	11/2010	Densmore	.....	D8/354
D684,033	S *	6/2013	Preda	.....	D8/354

\* cited by examiner

*Primary Examiner* — Robert M Spear

*Assistant Examiner* — Eliza Bennett-Hattan

(74) *Attorney, Agent, or Firm* — Jeffrey Roddy

(57) **CLAIM**

The ornamental design for the reinforcing bar support for bond beam blocks, as shown and described.

**DESCRIPTION**

FIG. 1 is an isometric view of my new design that depicts from the bottom up, a base, an upright section with an aperture and cut-outs along its top edge;

FIG. 2 is a side view thereof;

FIG. 3 is a side view opposite that shown in (FIG. 2) thereof;

FIG. 4 is a top down plan view of the top edge and base thereof;

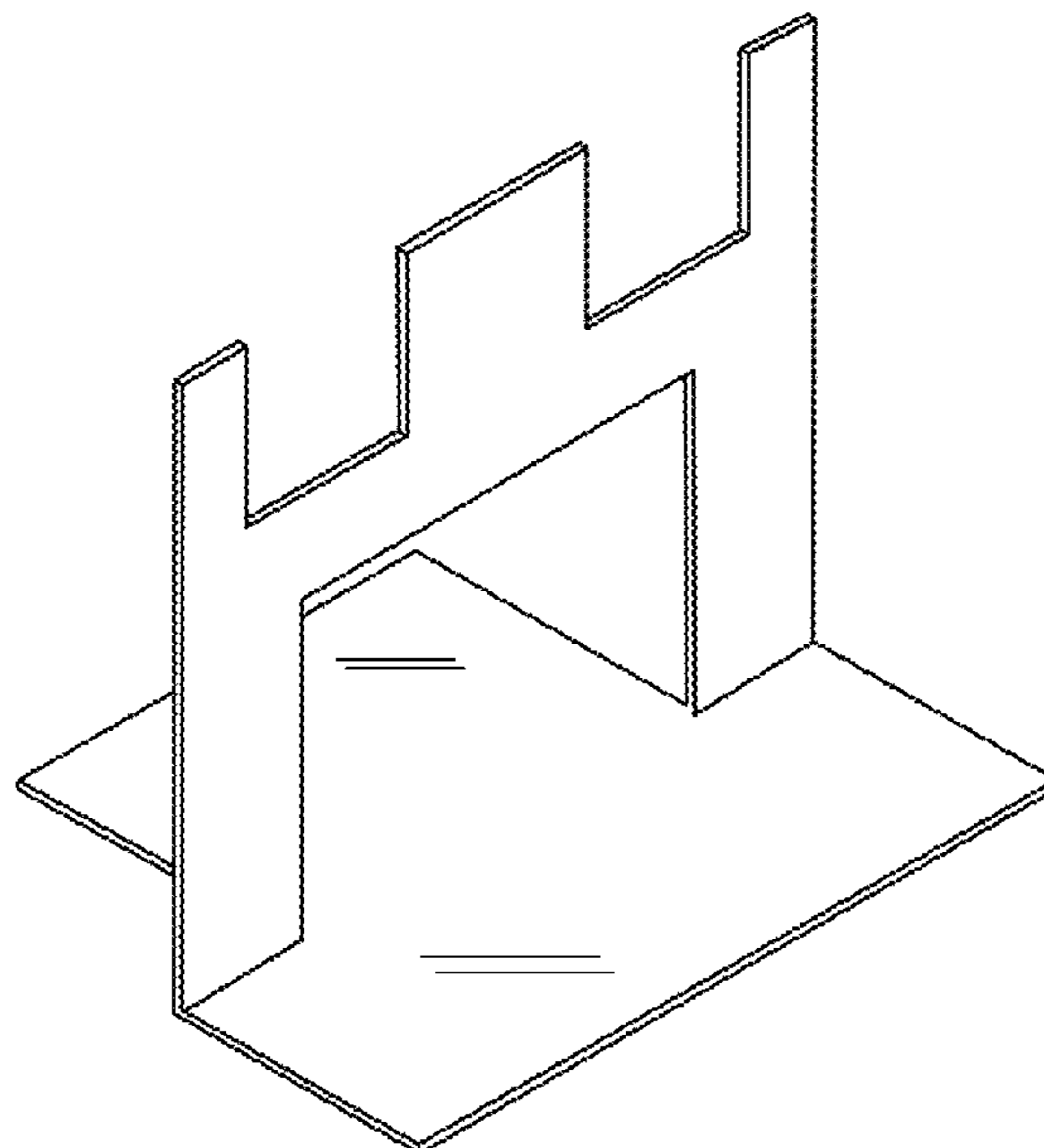
FIG. 5 is another side view thereof;

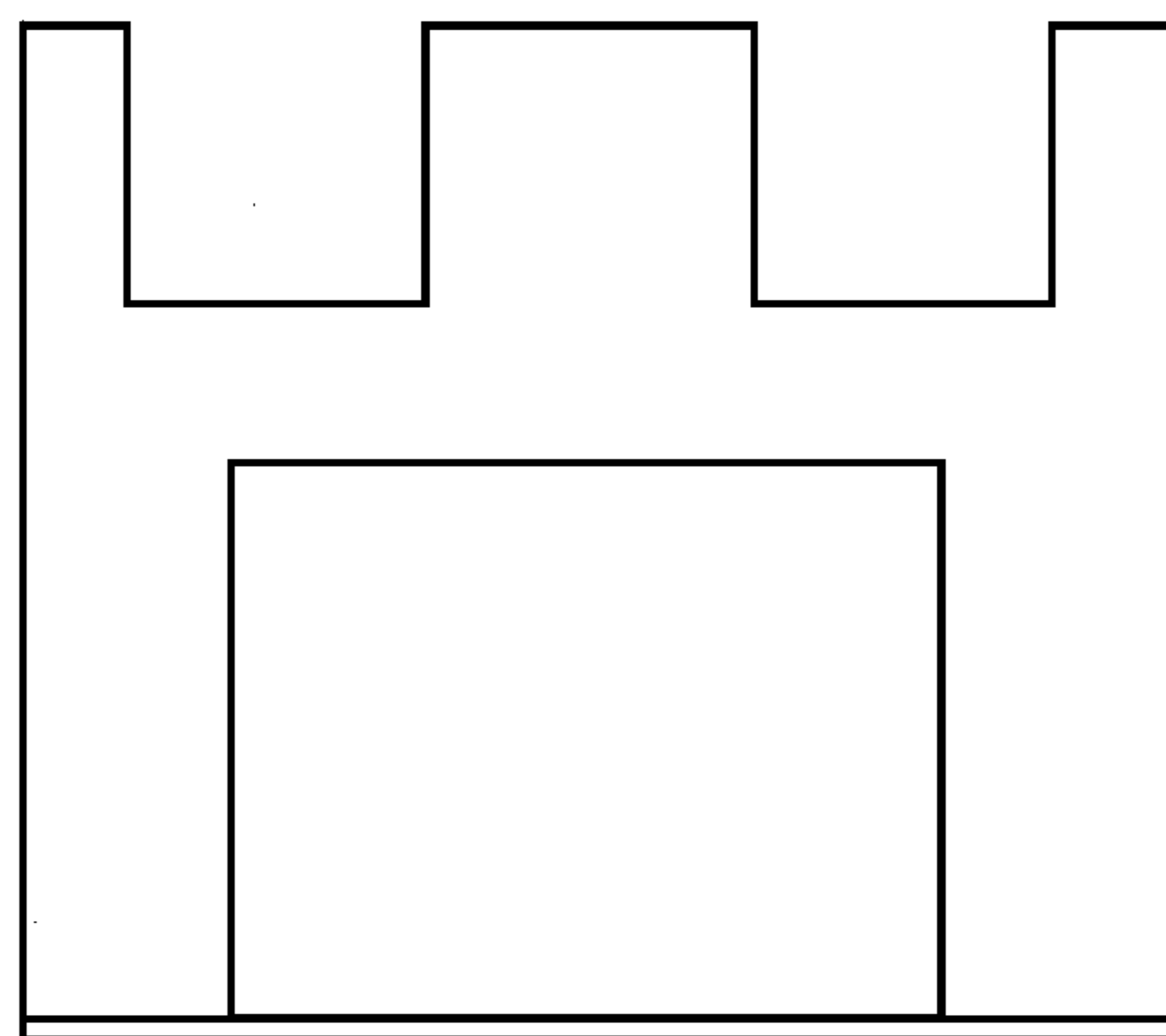
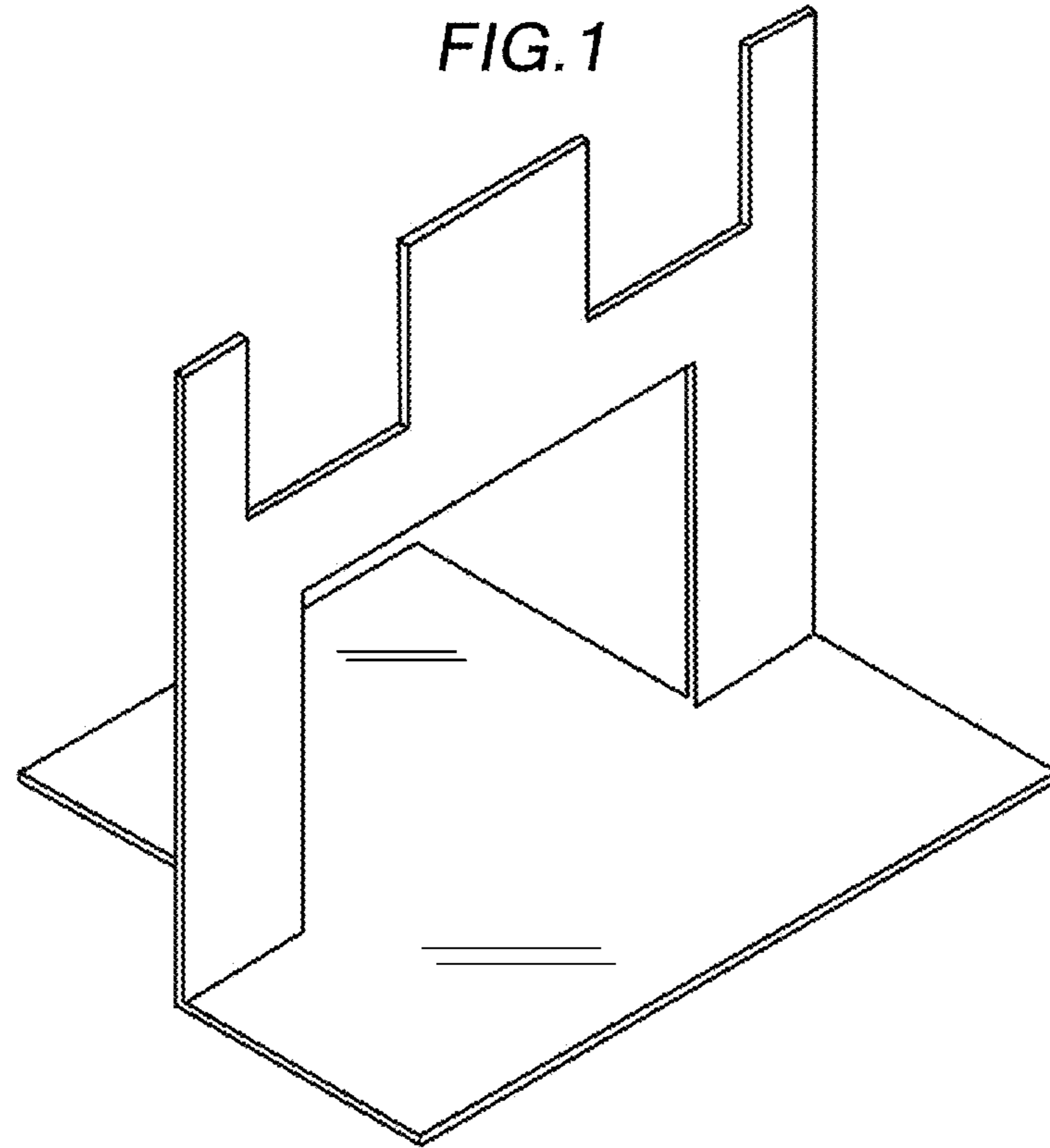
FIG. 6 is a perspective view thereof; and,

FIG. 7 is a reduced scale view of my new design shown at the bottom of a bond beam block supporting sections of reinforcing bar within the cut outs along the top edge.

Elements depicted in broken line, such as the supported reinforcing bar sections, and the bond beam block, both shown in FIG. 7, depicts environmental subject matter only, and form no part of the claimed design.

**1 Claim, 4 Drawing Sheets**





*FIG. 2*

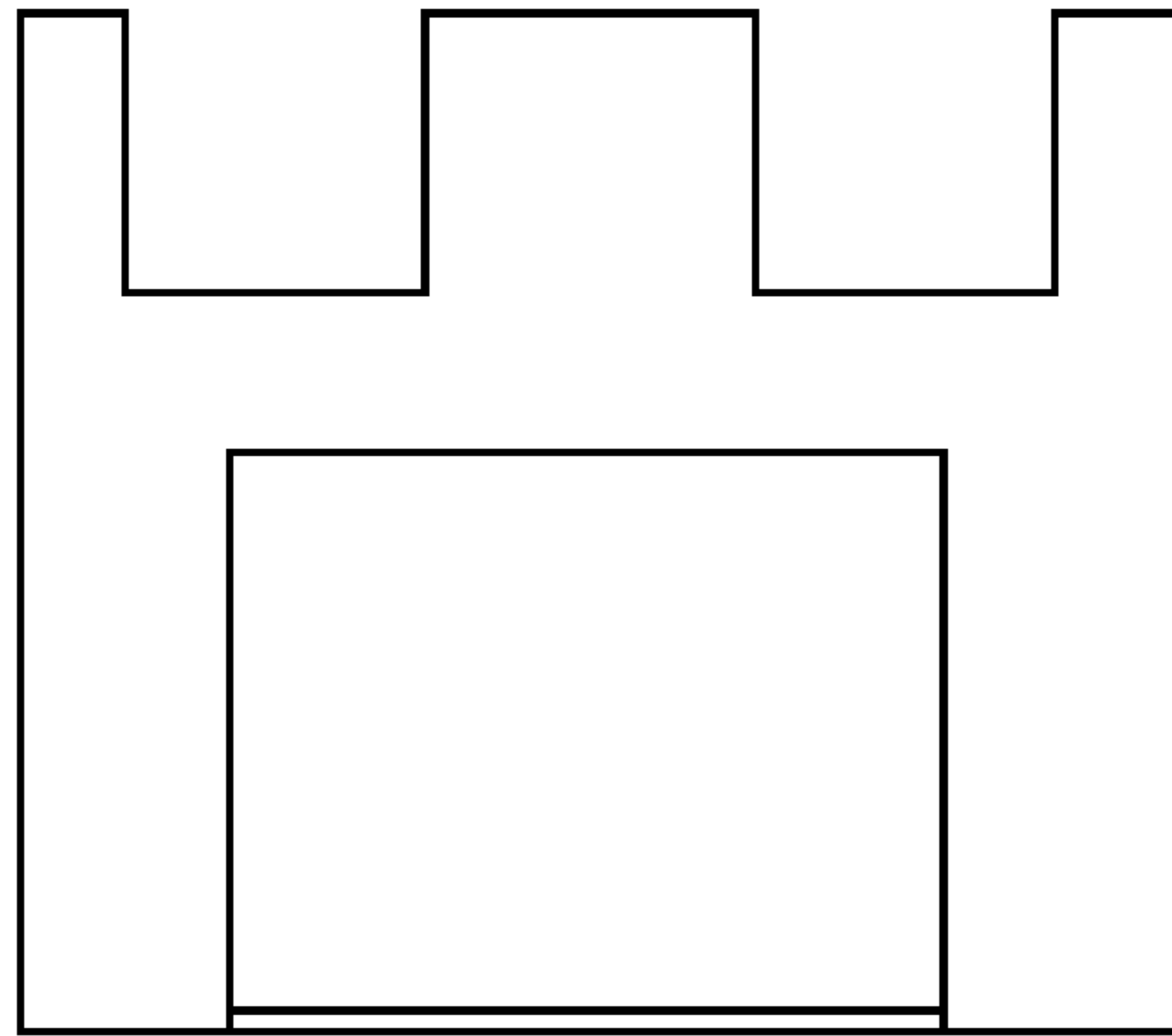


FIG. 3

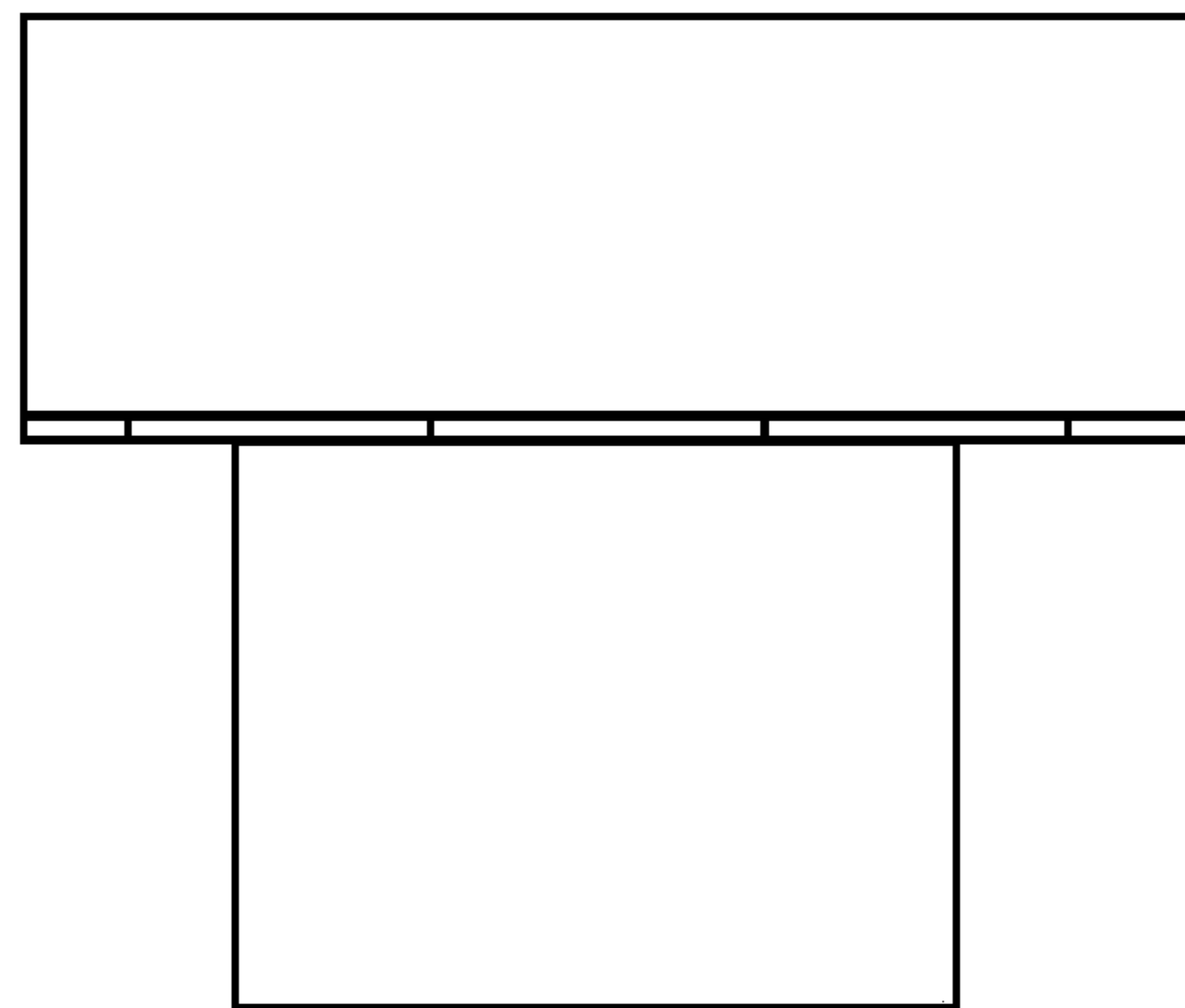


FIG. 4

FIG.5

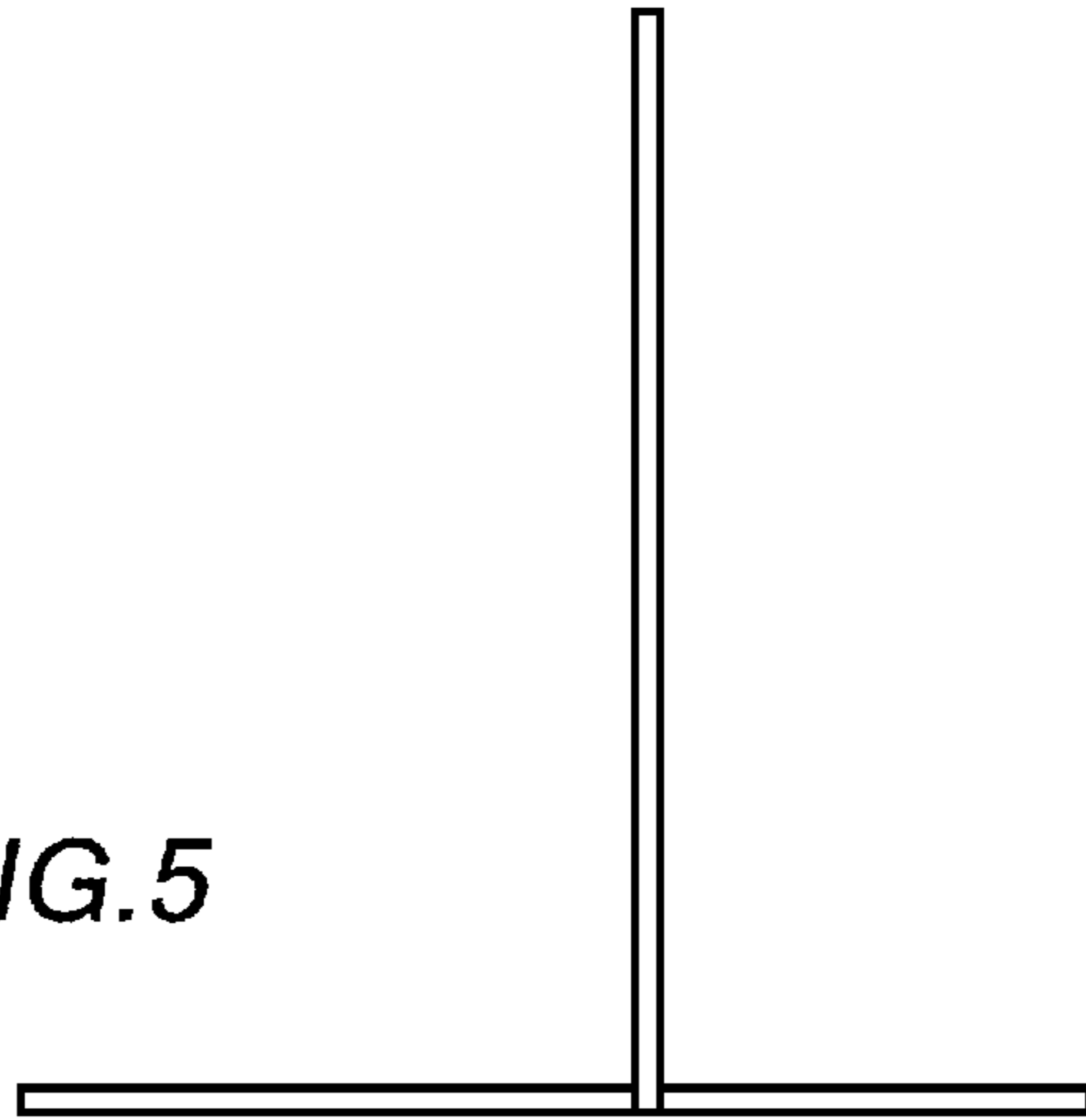


FIG.6

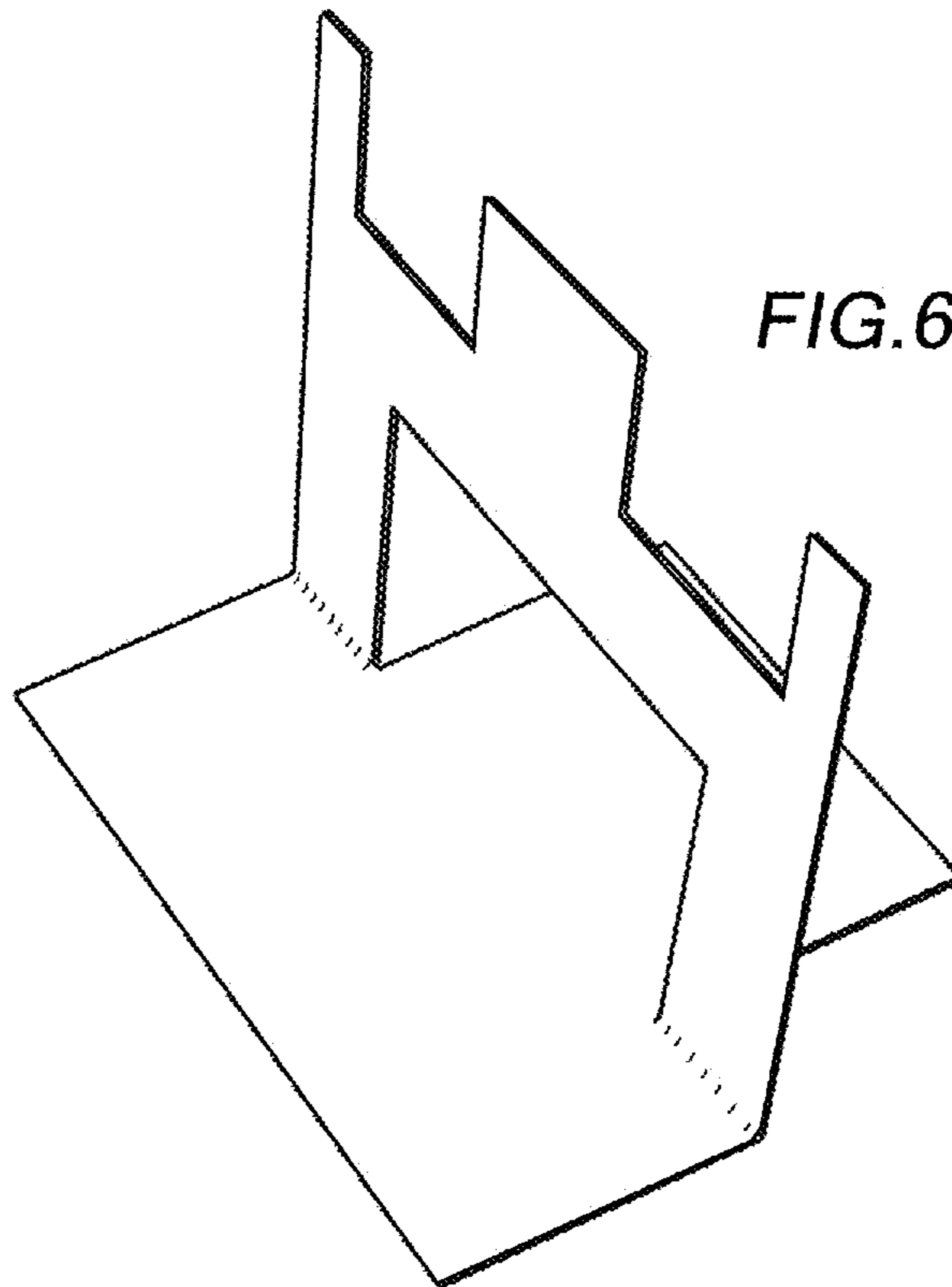


FIG. 7

