



US00D724417S

(12) **United States Design Patent**  
**Groff**

(10) **Patent No.:** **US D724,417 S**

(45) **Date of Patent:** **\*\* Mar. 17, 2015**

(54) **SHELF BRACKET**

(71) Applicant: **Malcolm K Groff**, Orwigsburg, PA (US)

(72) Inventor: **Malcolm K Groff**, Orwigsburg, PA (US)

(73) Assignee: **LTL Wholesale, Inc.**, Schuylkill Haven, PA (US)

(\*\*) Term: **14 Years**

(21) Appl. No.: **29/441,020**

(22) Filed: **Dec. 30, 2012**

(51) **LOC (10) Cl.** ..... **08-05**

(52) **U.S. Cl.**  
USPC ..... **D8/380**

(58) **Field of Classification Search**

USPC ..... D8/380, 349, 354, 381, 373, 367, 355,  
D8/363, 382, 374, 339, 376; 119/705;  
52/4, 260, 649.1, 649.2, 296; D6/702,  
D6/550; D23/259; 482/16; D12/160;  
D25/133; D14/238, 251; 224/250, 269,  
224/901.4, 930, 242, 246, 669

See application file for complete search history.

(56) **References Cited**

**U.S. PATENT DOCUMENTS**

D45,052 S *	12/1913	Vail .....	D6/503
D47,283 S *	5/1915	Eagan .....	D8/380
D333,259 S *	2/1993	McKeone .....	D8/381
D376,529 S *	12/1996	Davies et al. ....	D8/349
D391,472 S *	3/1998	Smiley et al. ....	D8/363
D404,995 S *	2/1999	Jaggi et al. ....	D8/380
D404,999 S *	2/1999	Jaggi et al. ....	D8/363
D474,958 S *	5/2003	Perdue .....	D8/349

D498,136 S *	11/2004	Parker .....	D8/380
D515,407 S *	2/2006	Groff et al. ....	D8/380
D581,253 S *	11/2008	Antonic .....	D8/354
D587,991 S *	3/2009	Walker et al. ....	D8/381
D631,734 S *	2/2011	Fernandez et al. ....	D8/380

\* cited by examiner

*Primary Examiner* — Robert M Spear

*Assistant Examiner* — Eliza Bennett-Hattan

(74) *Attorney, Agent, or Firm* — Ryder, Lu, Mazzeo & Konieczny LLC

(57) **CLAIM**

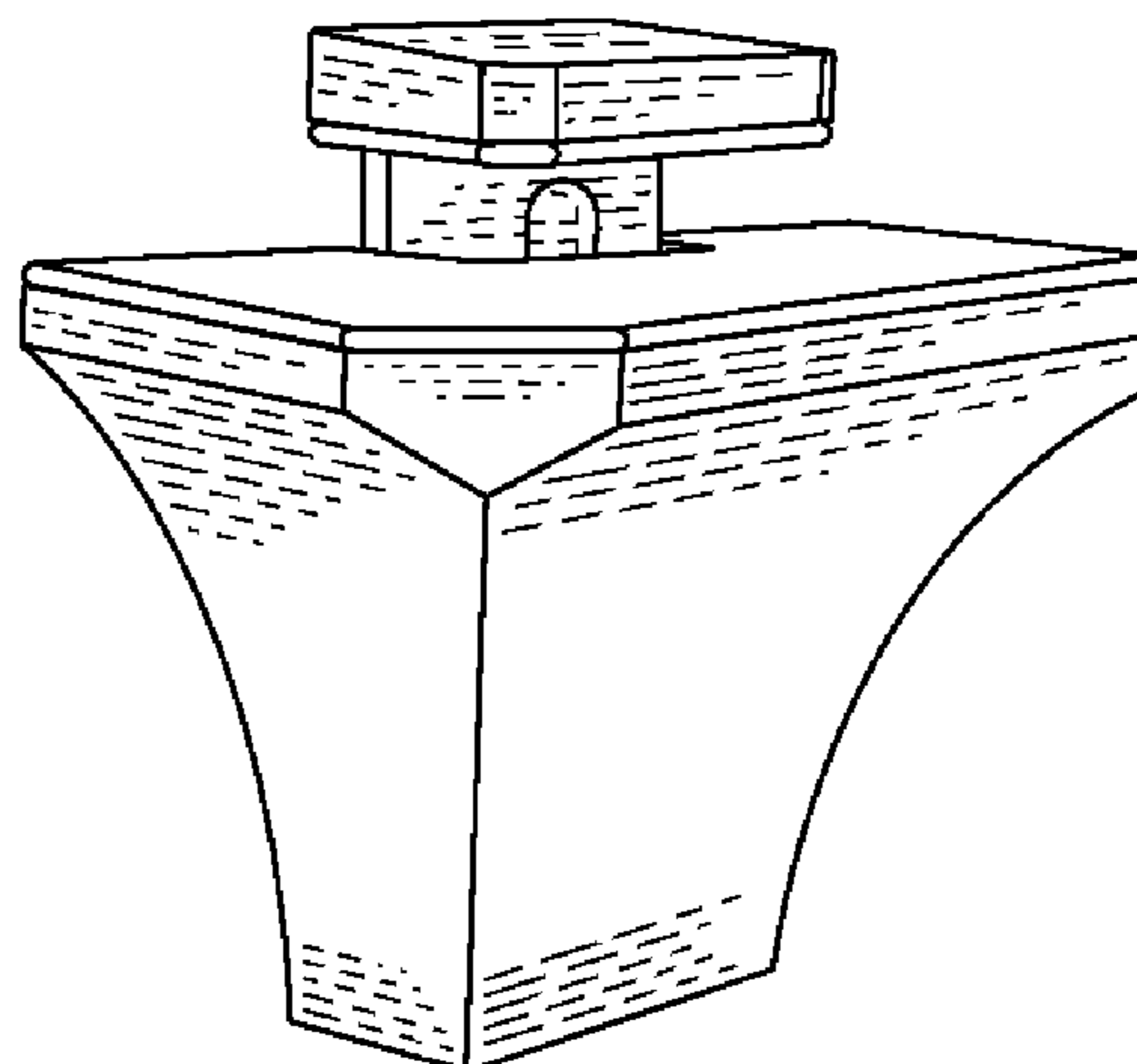
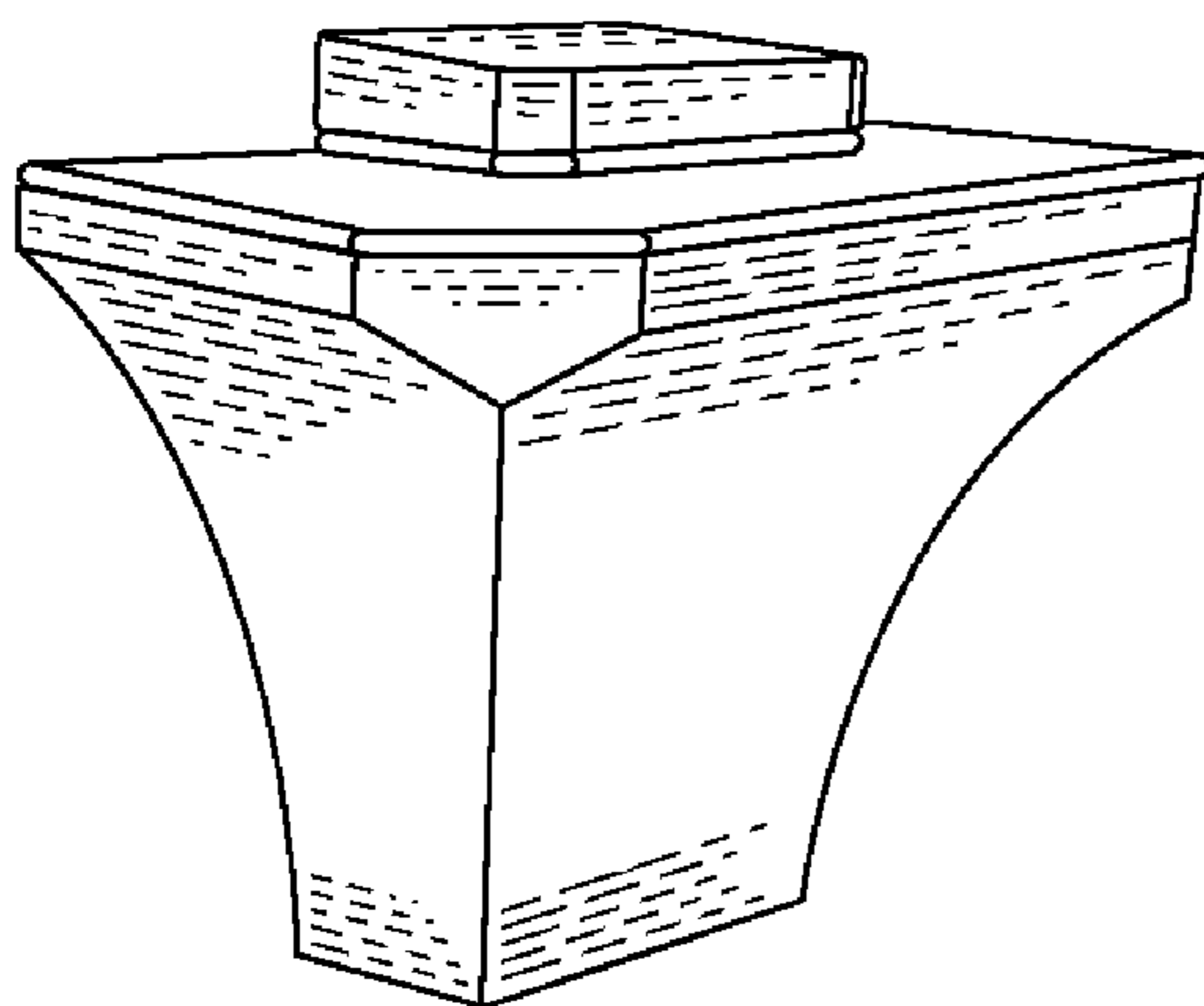
The ornamental design for a shelf bracket, as shown and described.

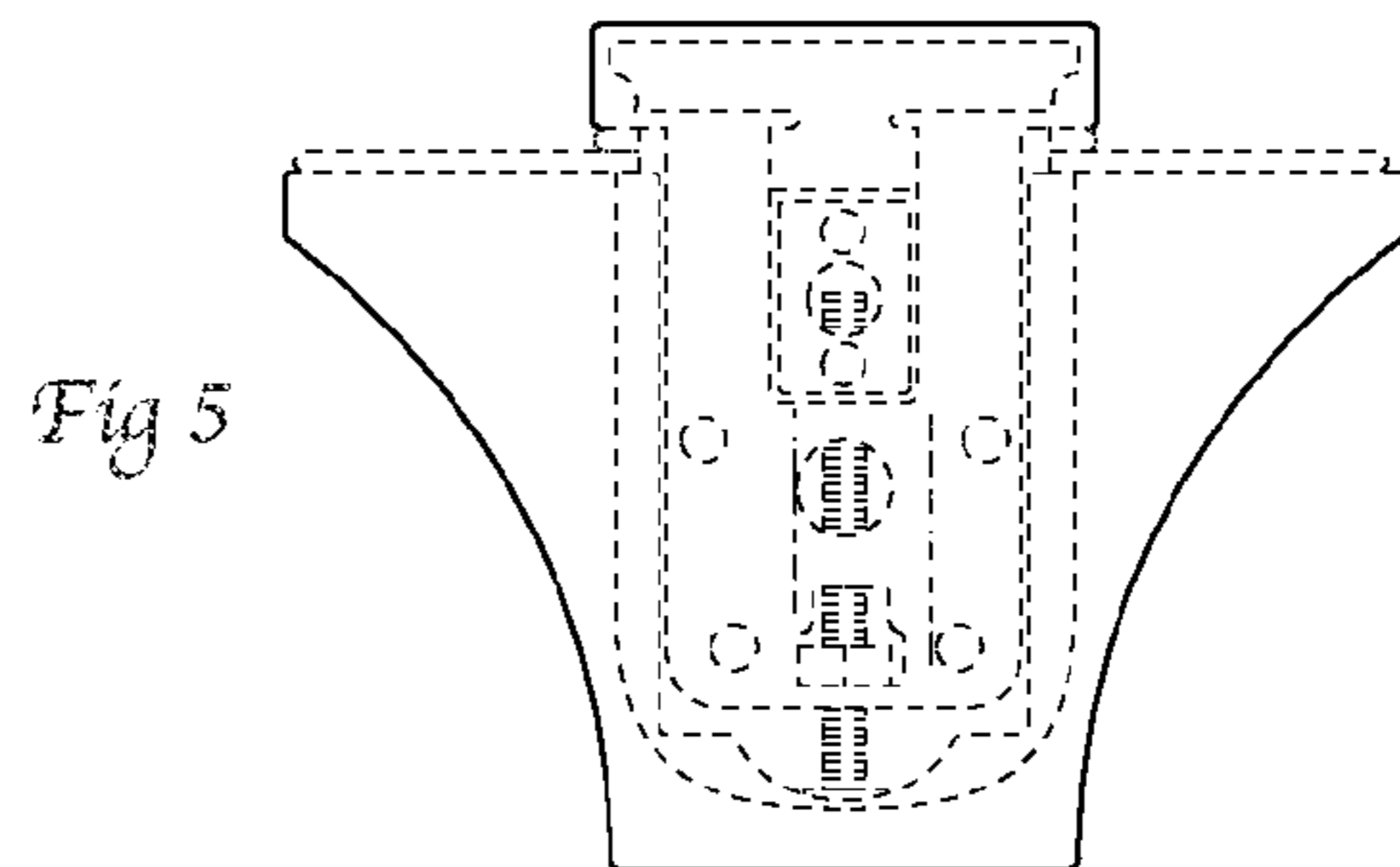
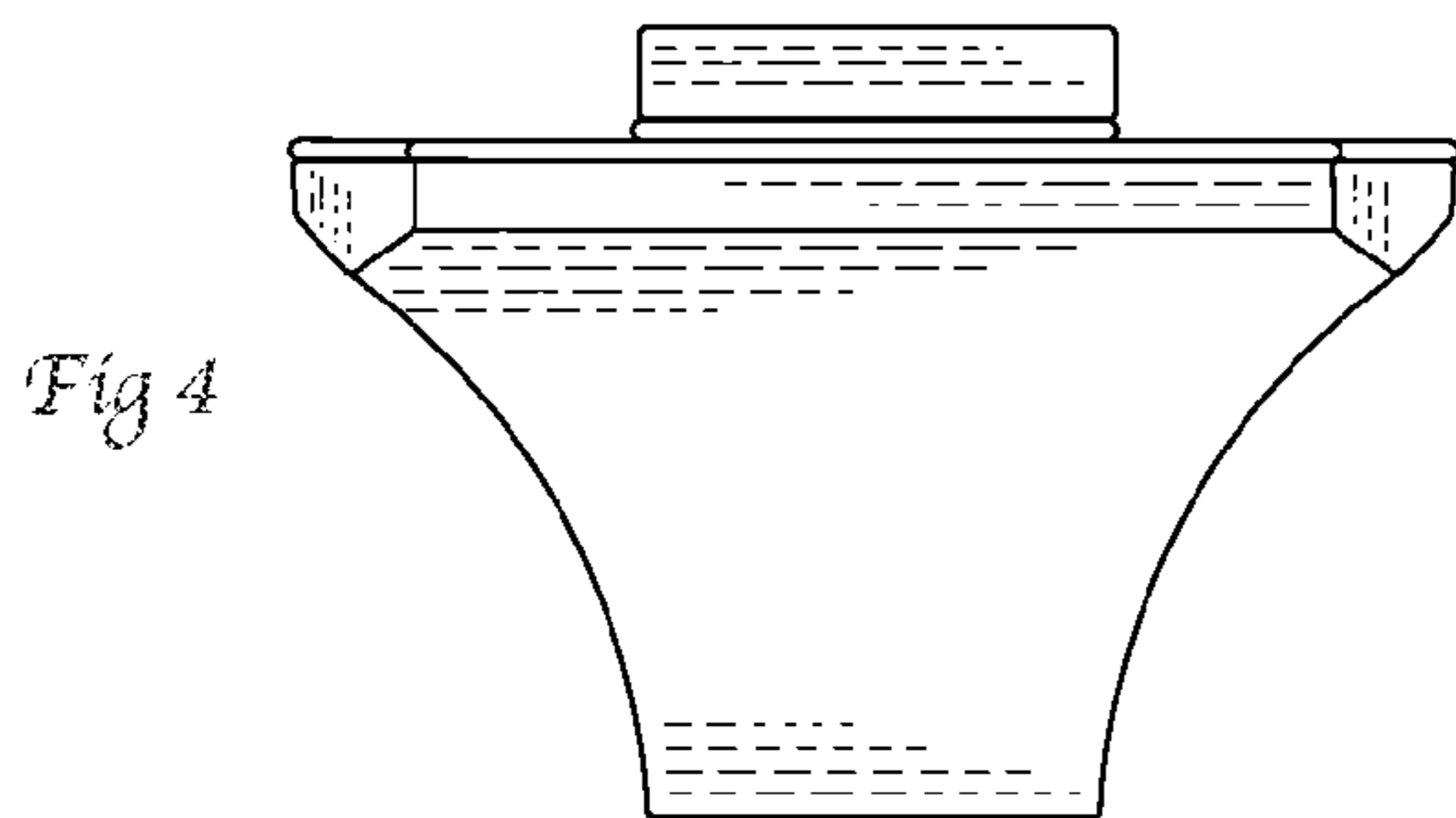
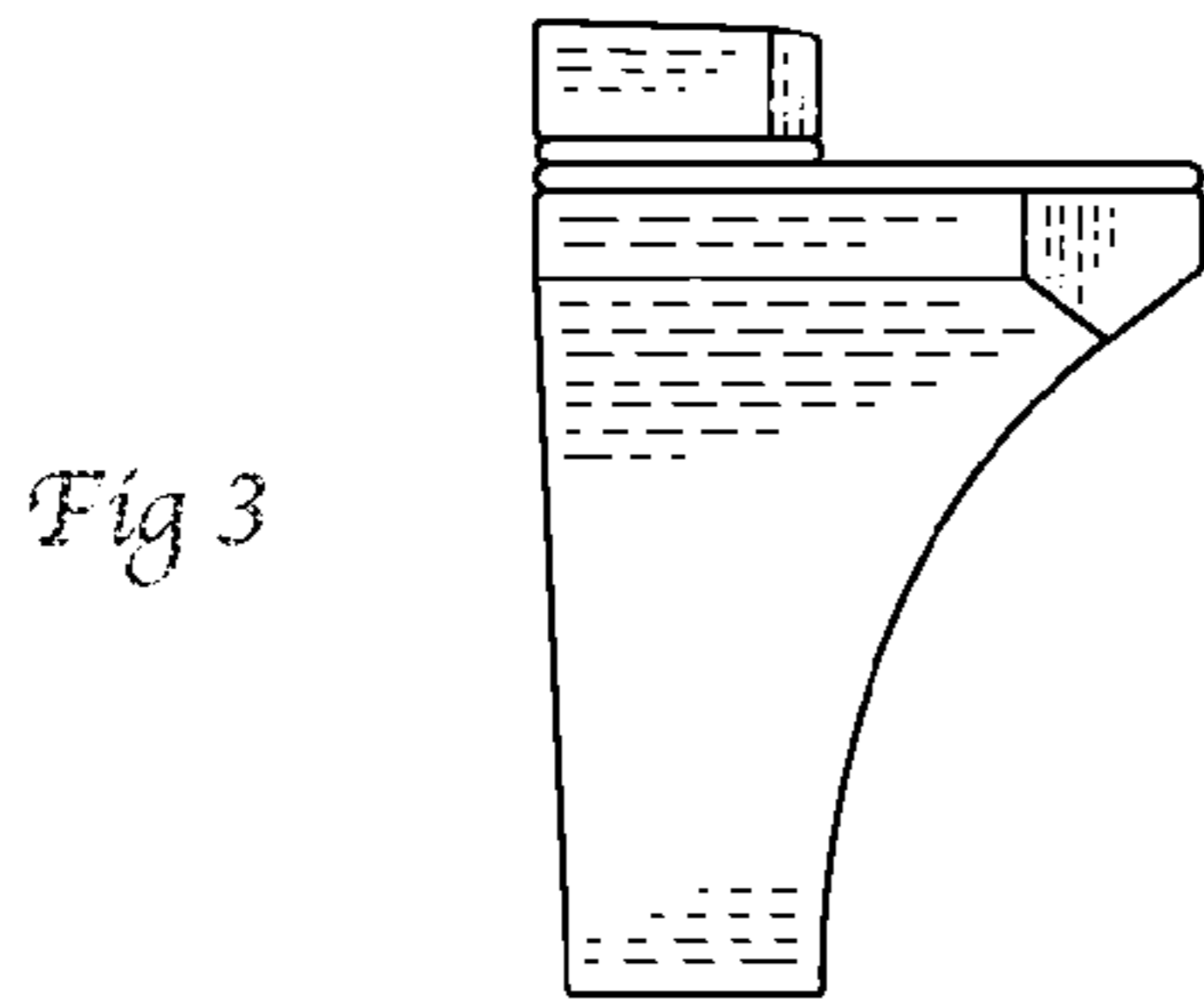
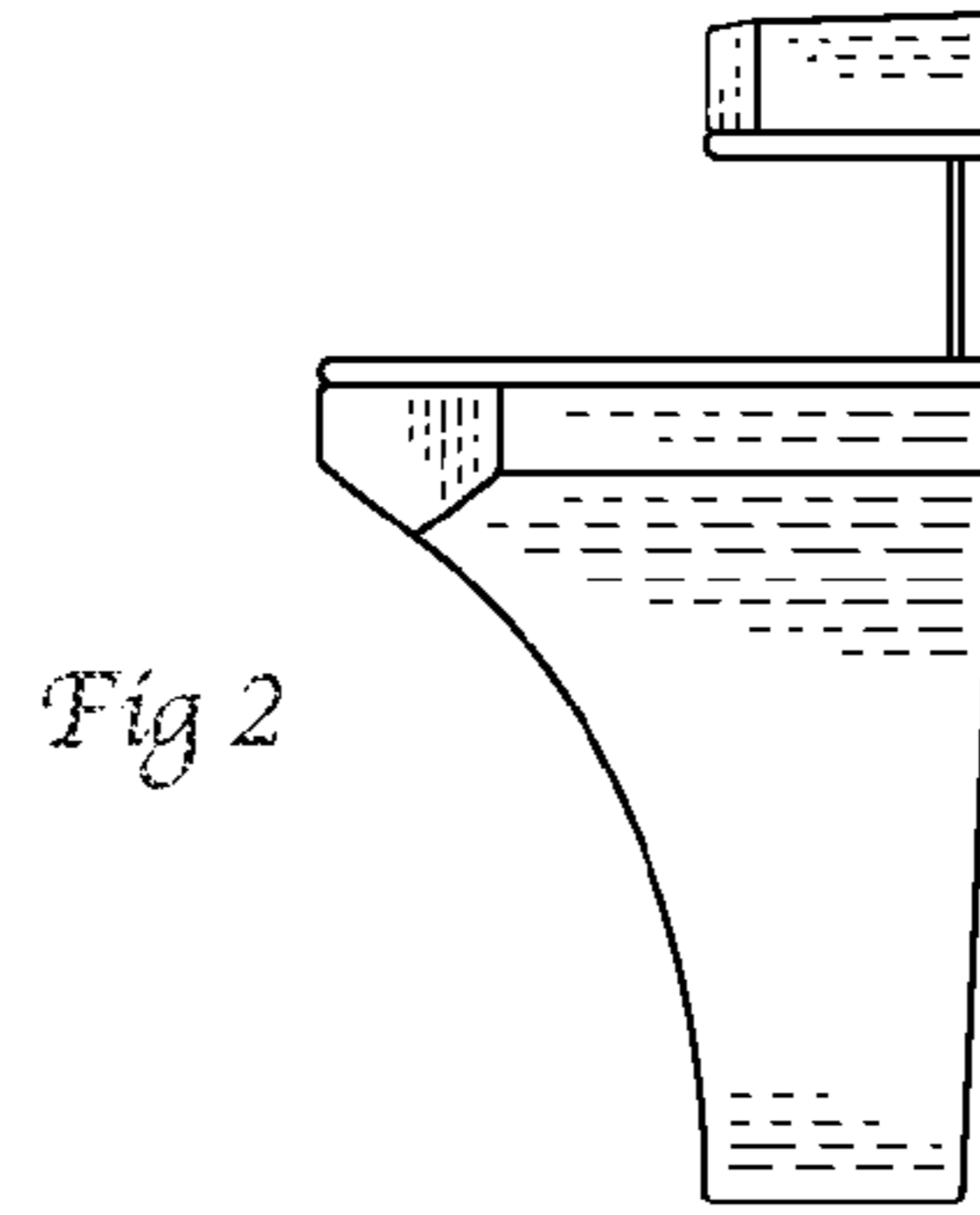
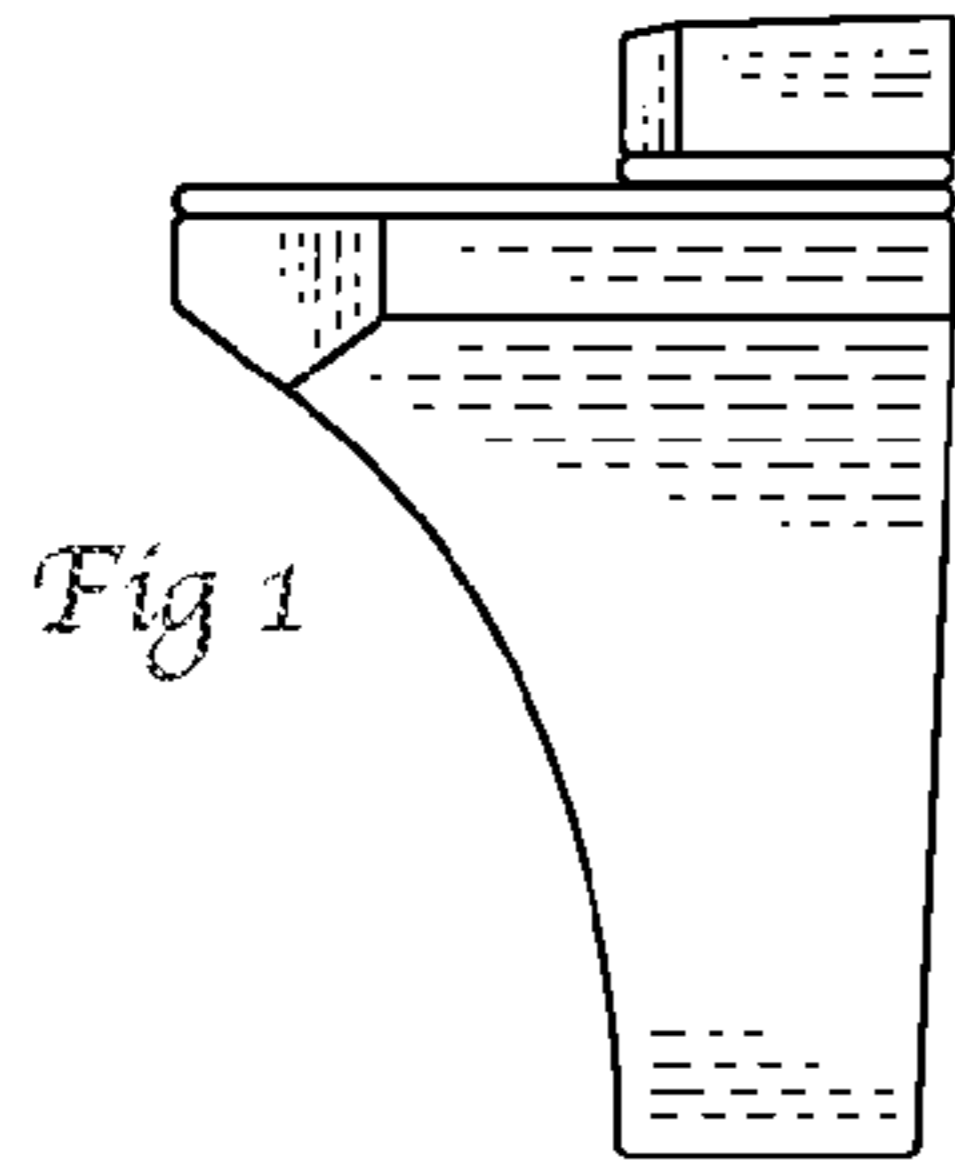
**DESCRIPTION**

FIG. 1 is a left-side elevational view of the shelf bracket; FIG. 2 is a left-side elevational view of the shelf bracket of FIG. 1 in an open position; FIG. 3 is a right-side elevational view of the shelf bracket of FIG. 1; FIG. 4 is a front elevational view of the shelf bracket of FIG. 1; FIG. 5 is a rear elevational view of the shelf bracket of FIG. 1; FIG. 6 is a top plan view of the shelf bracket of FIG. 1; FIG. 7 is a bottom plan view of the shelf bracket of FIG. 1; FIG. 8 is a perspective view of the shelf bracket of FIG. 1; and, FIG. 9 is a perspective view of the shelf bracket of FIG. 1 in an open position.

The broken lines in the drawing depict environmental subject matter only and form no part of the claimed design.

**1 Claim, 2 Drawing Sheets**





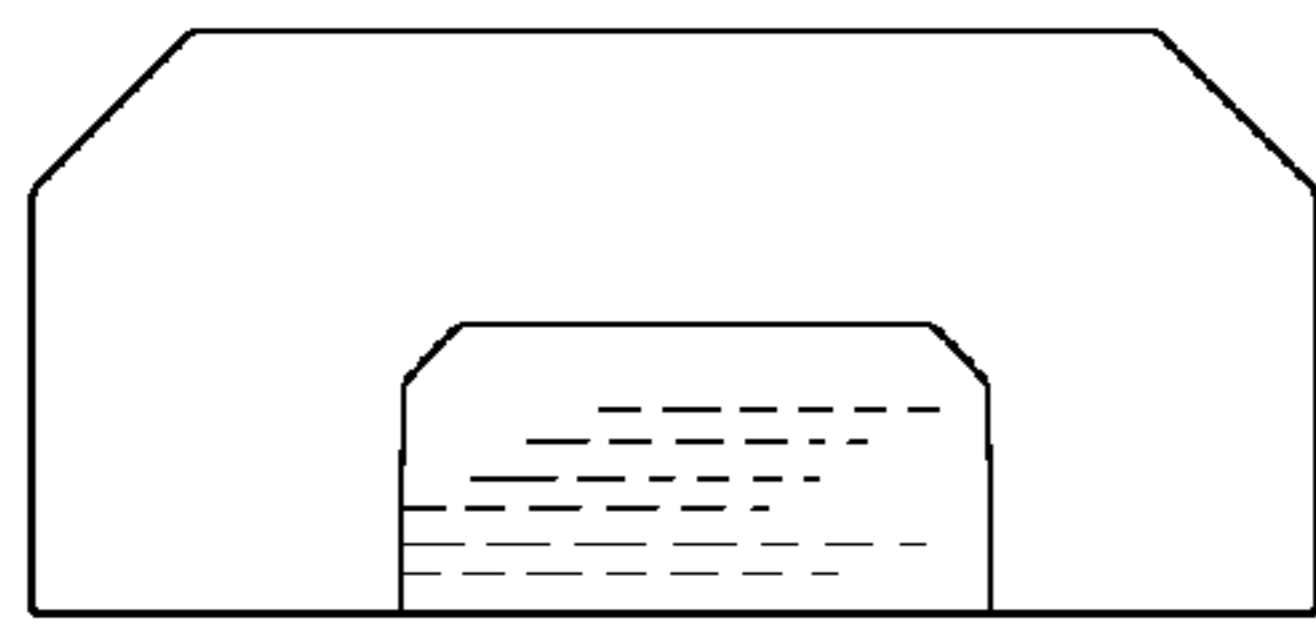


Fig 6

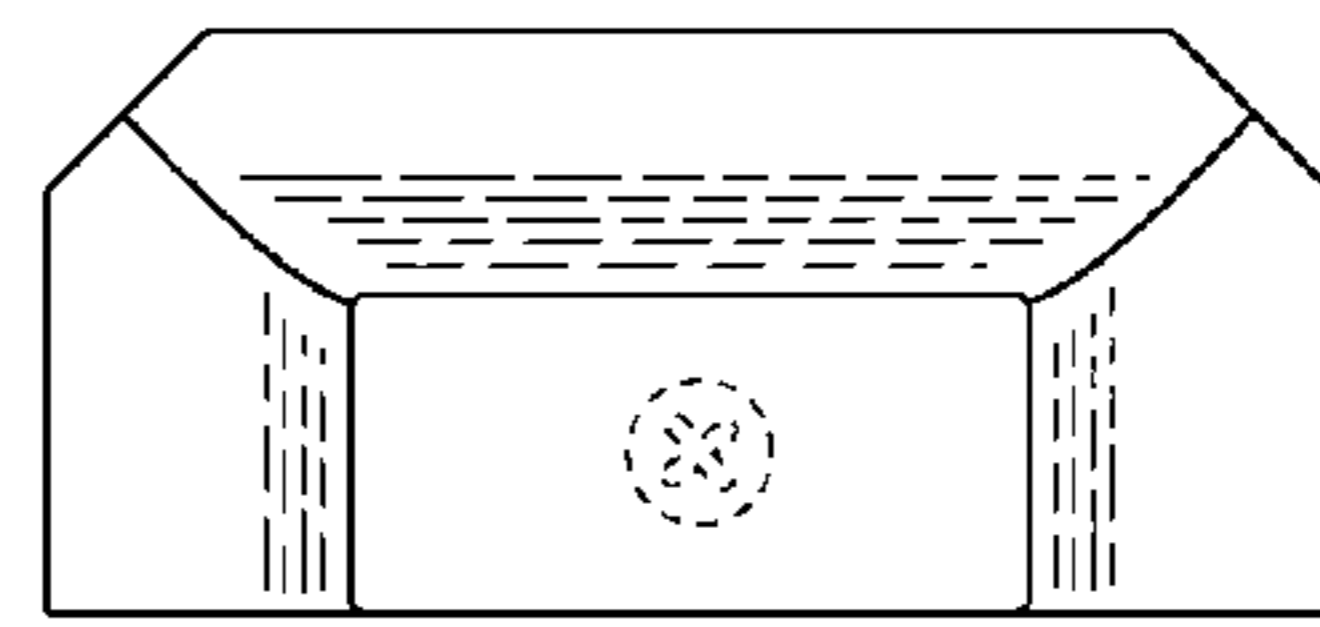


Fig 7

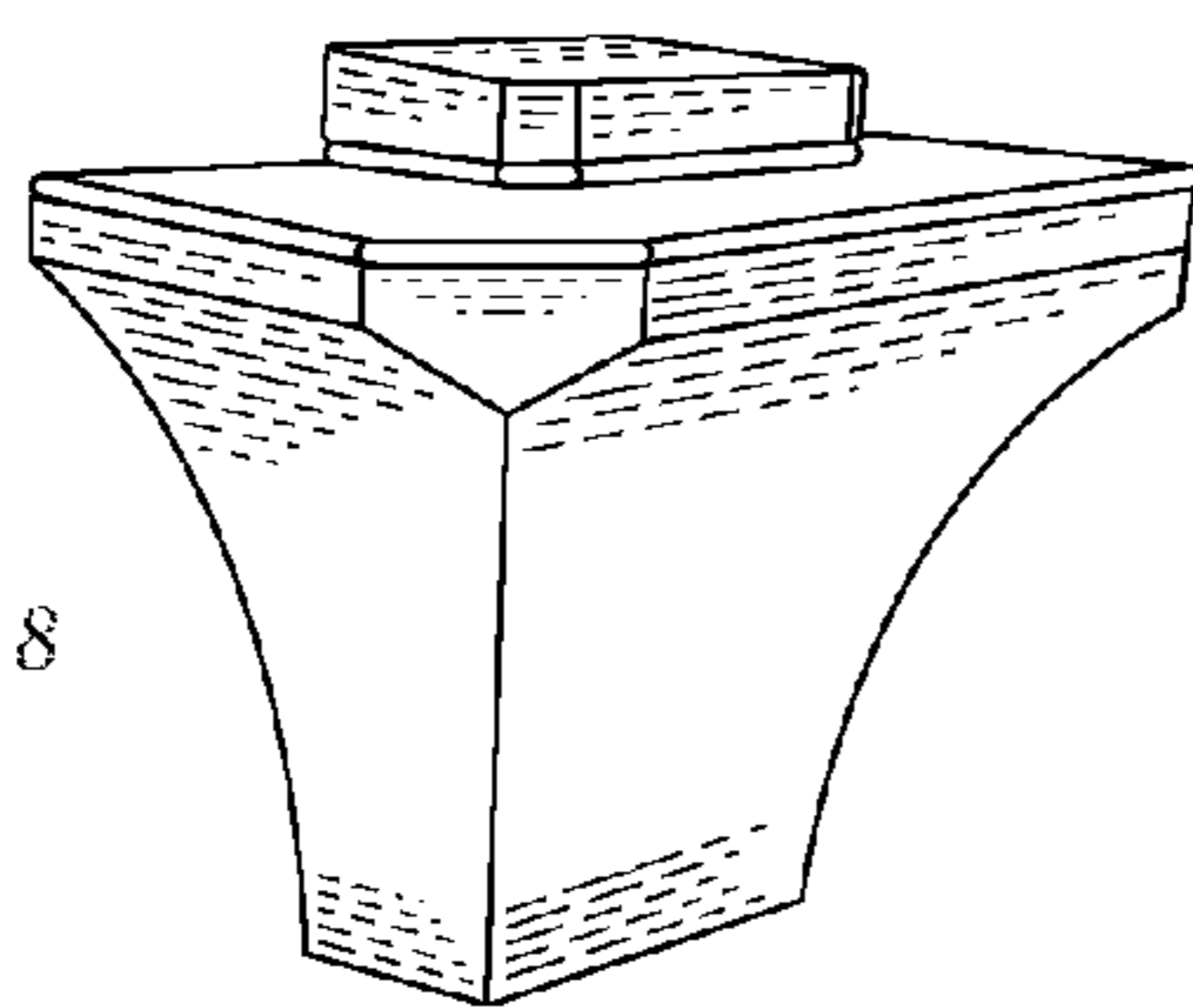


Fig 8

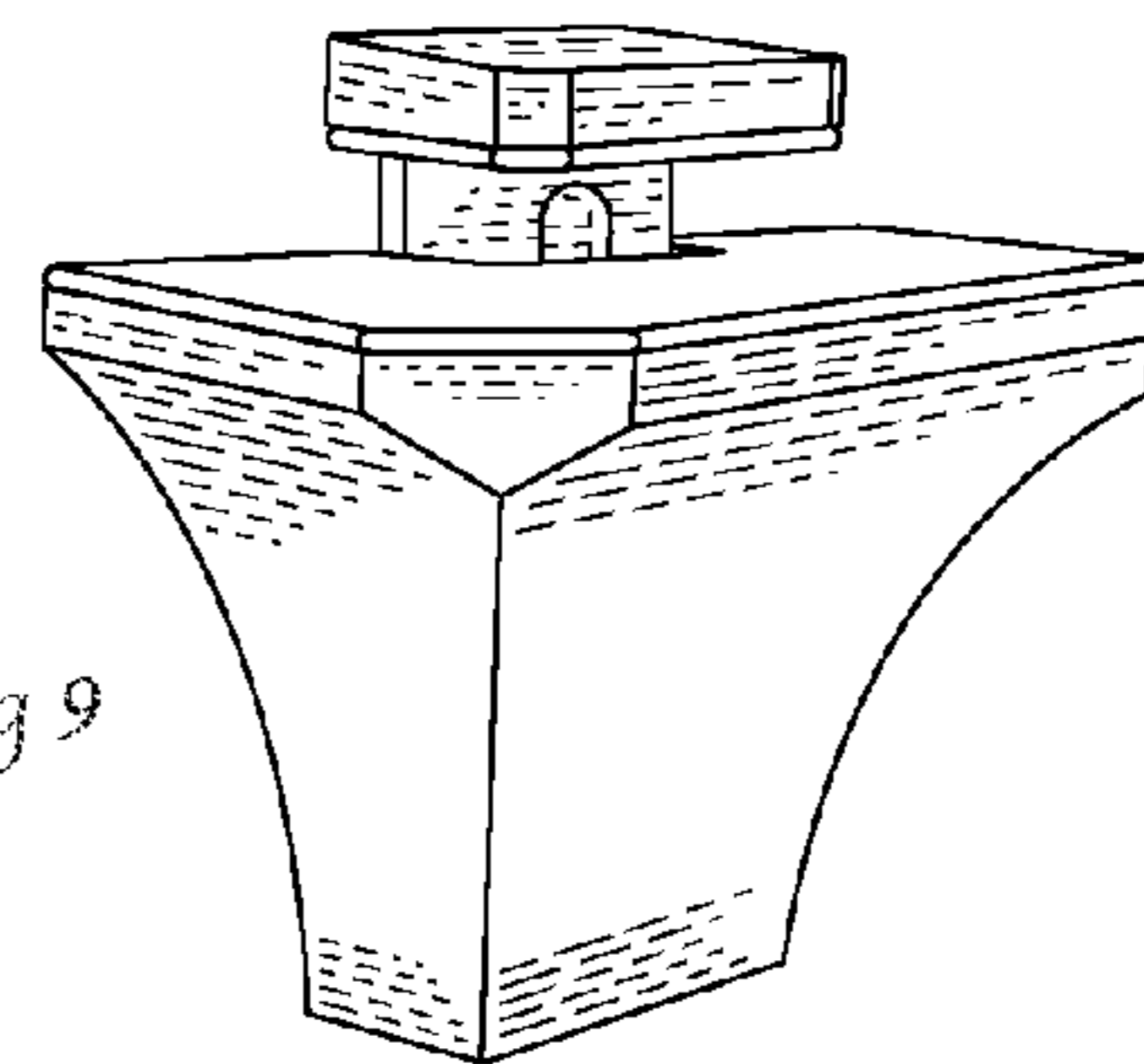


Fig 9