



US00D724415S

(12) **United States Design Patent**
Lu

(10) **Patent No.:** **US D724,415 S**
(45) **Date of Patent:** **** Mar. 17, 2015**

- (54) **TERRACOTTA POT HOLDER**
- (71) Applicant: **James Lu**, Alpharetta, GA (US)
- (72) Inventor: **James Lu**, Alpharetta, GA (US)
- (73) Assignees: **International Business Corporation**, Alpharetta, GA (US); **Progressive Global Enterprises Co., Ltd.**, Taipei (TW)
- (**) Term: **14 Years**
- (21) Appl. No.: **29/467,547**
- (22) Filed: **Sep. 20, 2013**
- (51) **LOC (10) Cl.** **08-05**
- (52) **U.S. Cl.**
USPC **D8/373**
- (58) **Field of Classification Search**
CPC A47G 7/047; A47G 7/044
USPC D6/315, 320, 323, 512, 553, 567, 556;
D8/349, 354, 373, 366, 367, 380, 499;
248/682, 683, 690, 692, 200, 205.1,
248/205.3, 207, 694, 309.1, 311.3, 312.1,
248/215; 47/39, 67, 65.5
See application file for complete search history.

- D362,175 S * 9/1995 Grignon D8/367
- D616,290 S * 5/2010 Sullivan D8/380
- 7,825,337 B2 * 11/2010 Young, IV 174/72 A
- D658,484 S * 5/2012 Wall D8/354
- 2009/0278013 A1 * 11/2009 Palmer 248/312.1

OTHER PUBLICATIONS

The life and Times: Hang a Pot, Image post date Mar. 26, 2012, Site visted Dec. 18, 2014 (online), <<http://www.thelifeandtimesblog.com/2012/03/hang-pot.html>>.*

* cited by examiner

Primary Examiner — Karen E Kearney

Assistant Examiner — Ieisha Price

(74) *Attorney, Agent, or Firm* — Rodgers & Rodgers

(56) **References Cited**

U.S. PATENT DOCUMENTS

- 2,823,004 A * 2/1958 Melloh 248/215
- D249,765 S * 10/1978 Wilson D6/556
- D257,810 S * 1/1981 Wilson D6/556
- 5,074,504 A * 12/1991 Minnick 248/312.1

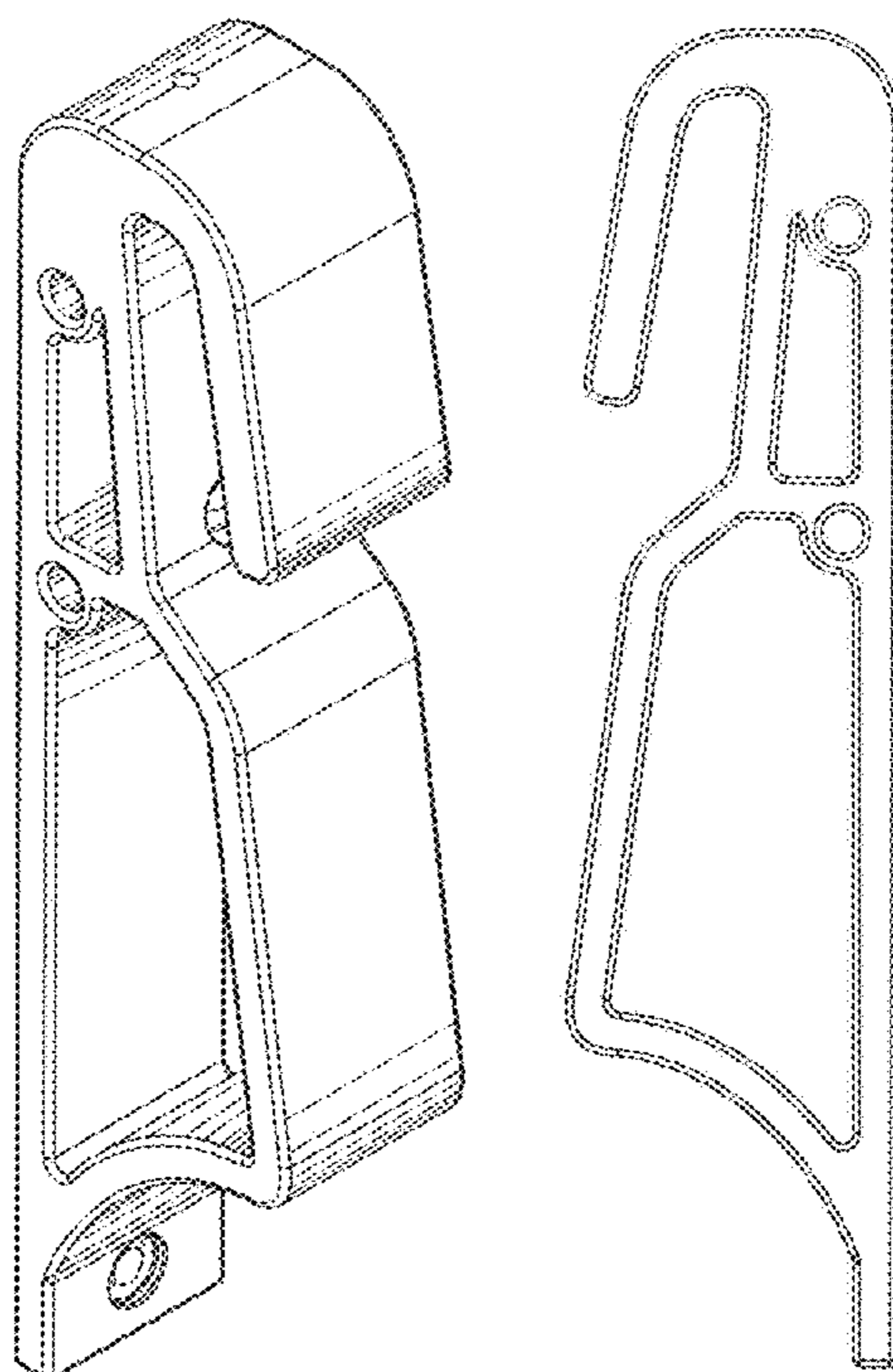
(57) **CLAIM**

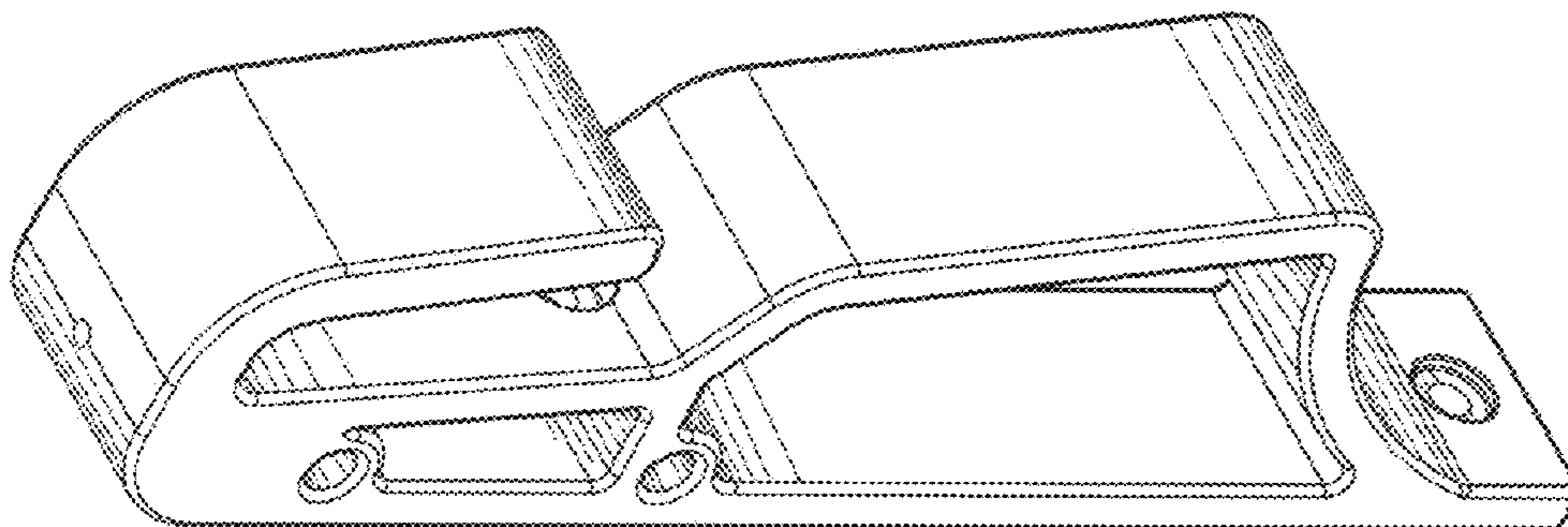
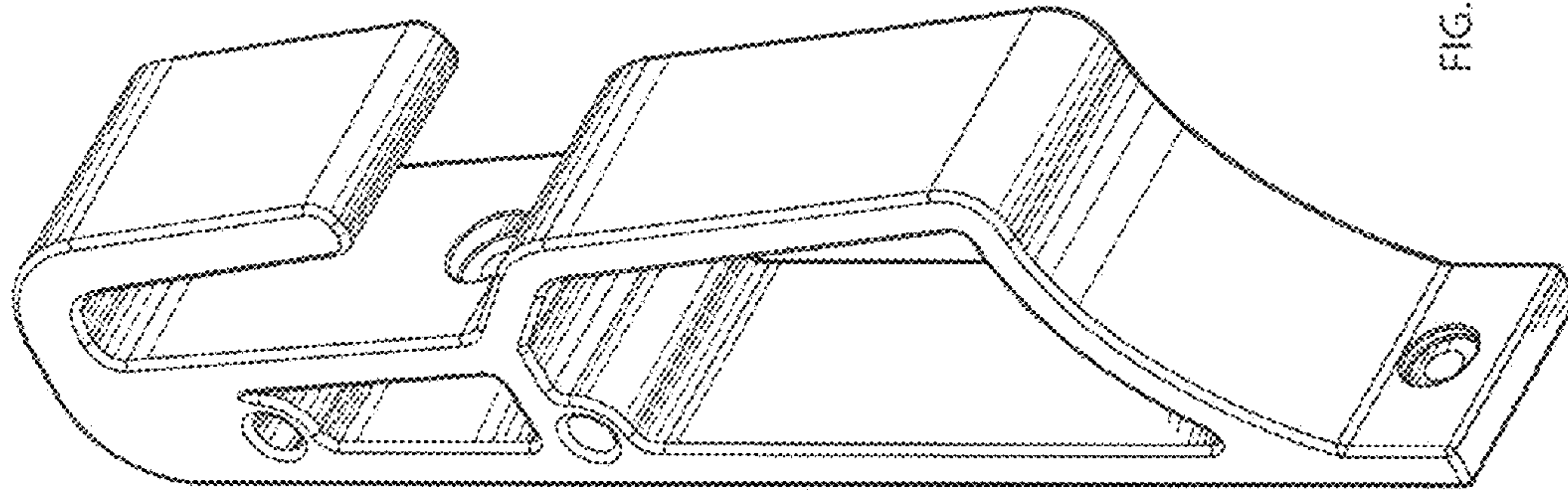
The ornamental design for a terracotta pot holder, as shown and described.

DESCRIPTION

FIG. 1 is a perspective view of a terracotta pot holder showing my new design;
 FIG. 2 is a bottom perspective view thereof;
 FIG. 3 is a front elevational view thereof;
 FIG. 4 is a right-side elevational view thereof, the left side being a mirror image thereof;
 FIG. 5 is a rear elevational view thereof;
 FIG. 6 is a top plan view thereof; and,
 FIG. 7 is a bottom plan view thereof.

1 Claim, 2 Drawing Sheets





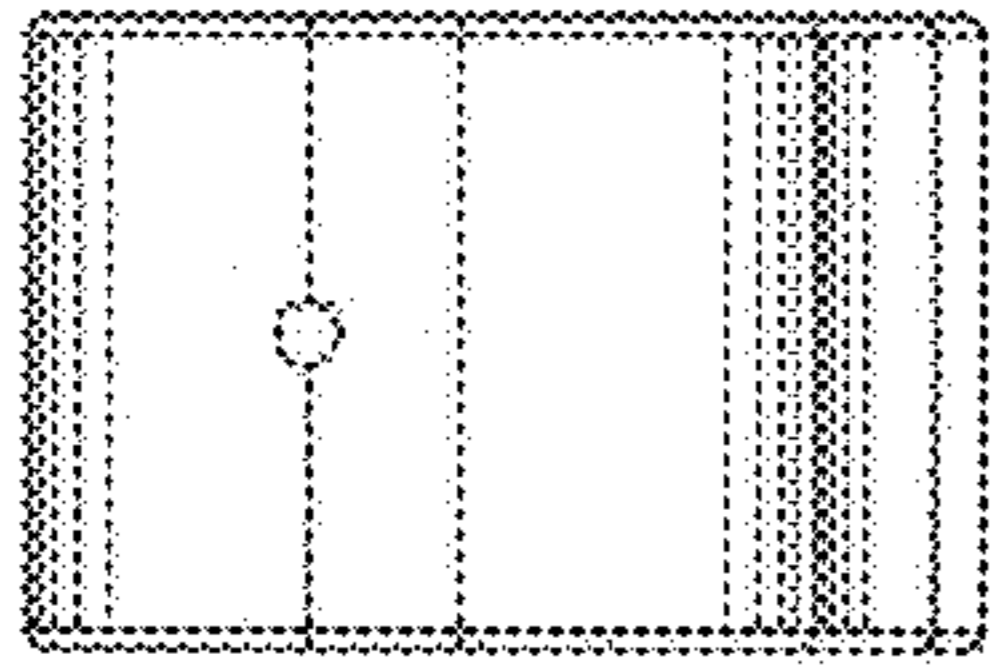


FIG. 6

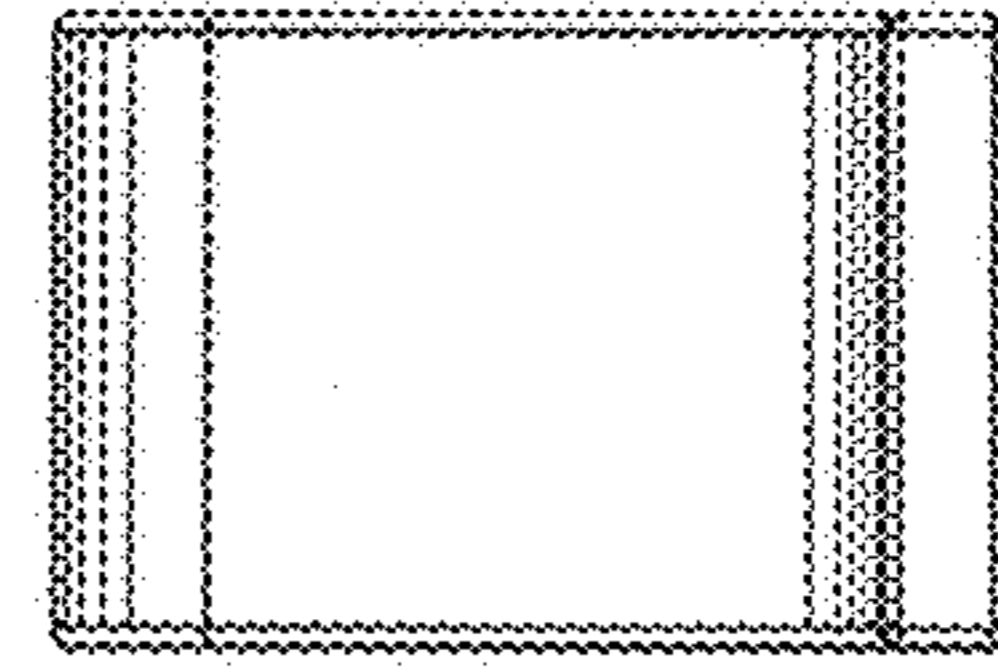


FIG. 7

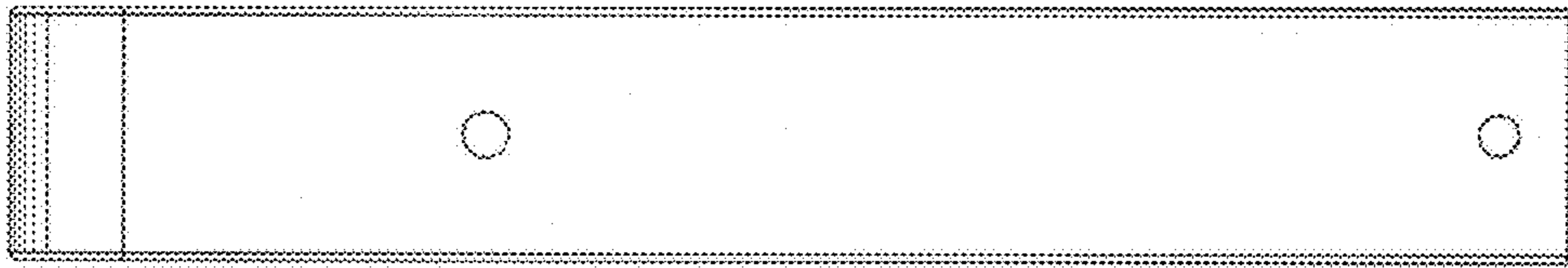


FIG. 5

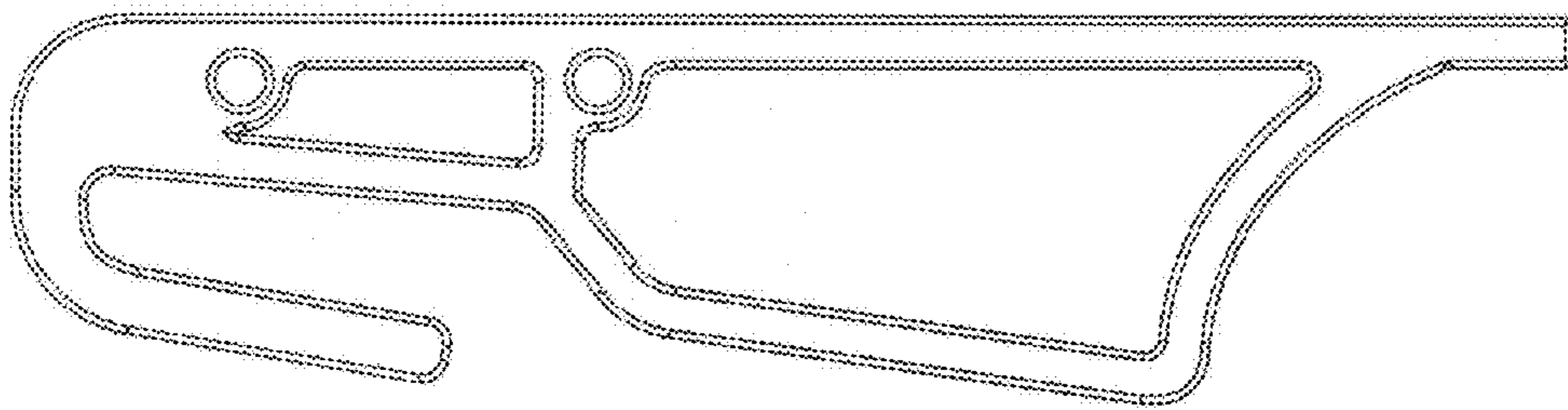


FIG. 4

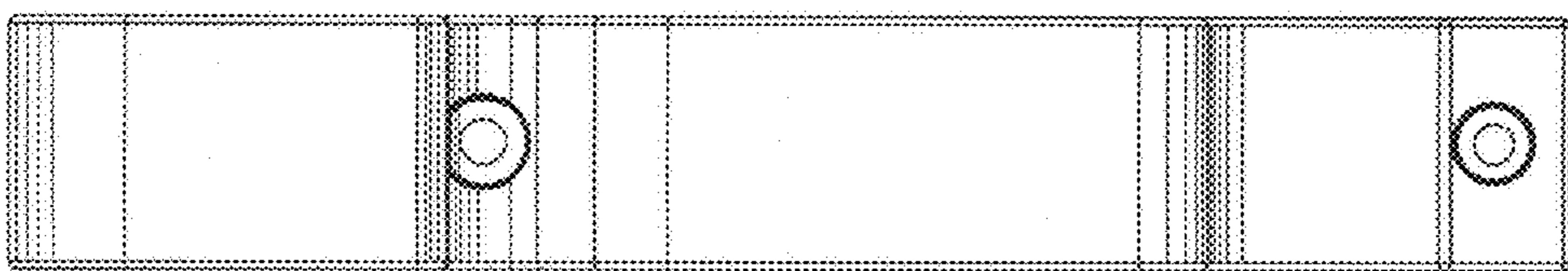


FIG. 3