



US00D724414S

(12) **United States Design Patent**  
**Marshall et al.**

(10) **Patent No.:** **US D724,414 S**  
(45) **Date of Patent:** **\*\* Mar. 17, 2015**

(54) **HOSE BOX**

(71) Applicant: **Ames True Temper, Inc.**, Camp Hill, PA (US)

(72) Inventors: **Daniel Frank Marshall**, Enola, PA (US); **Amy Farag Moritz**, New Cumberland, PA (US)

(73) Assignee: **The Ames Companies, Inc.**, Camp Hill, PA (US)

(\*\*) Term: **14 Years**

(21) Appl. No.: **29/461,591**

(22) Filed: **Jul. 25, 2013**

(51) **LOC (10) Cl.** ..... **08-05**

(52) **U.S. Cl.**  
USPC ..... **D8/359**

(58) **Field of Classification Search**  
CPC ..... B65H 75/40; B65H 75/4471  
USPC ..... D8/359, 358, 357, 349, 356, 499;  
D3/274; 137/355.12, 355.16, 355.26;  
206/389; 242/395, 395.1, 397.5, 405.2,  
242/406, 388.9, 398; 248/349.1  
See application file for complete search history.

(56) **References Cited**

**U.S. PATENT DOCUMENTS**

D418,739 S \* 1/2000 Whitehead et al. .... D8/359  
D432,002 S \* 10/2000 Anderson et al. .... D8/359

D478,803 S \* 8/2003 Markley ..... D8/359  
D661,977 S \* 6/2012 Donnelly et al. .... D8/358  
D682,072 S 5/2013 Blaszcak et al.  
D701,751 S \* 4/2014 Hyp et al. .... D8/359  
D702,537 S \* 4/2014 Hyp et al. .... D8/359  
D712,236 S \* 9/2014 Blaszcak et al. .... D8/359  
2007/0045502 A1 \* 3/2007 Rosine et al. .... 248/349.1  
2008/0087755 A1 \* 4/2008 Rosine et al. .... 242/406  
2008/0295894 A1 \* 12/2008 Uffner et al. .... 137/355.27  
2013/0140393 A1 \* 6/2013 Blaszcak et al. .... 242/398

\* cited by examiner

*Primary Examiner* — Sheryl Lane

*Assistant Examiner* — Ieisha Price

(74) *Attorney, Agent, or Firm* — Eckert Seamans Cherin & Mellott, LLC; David C. Jenkins

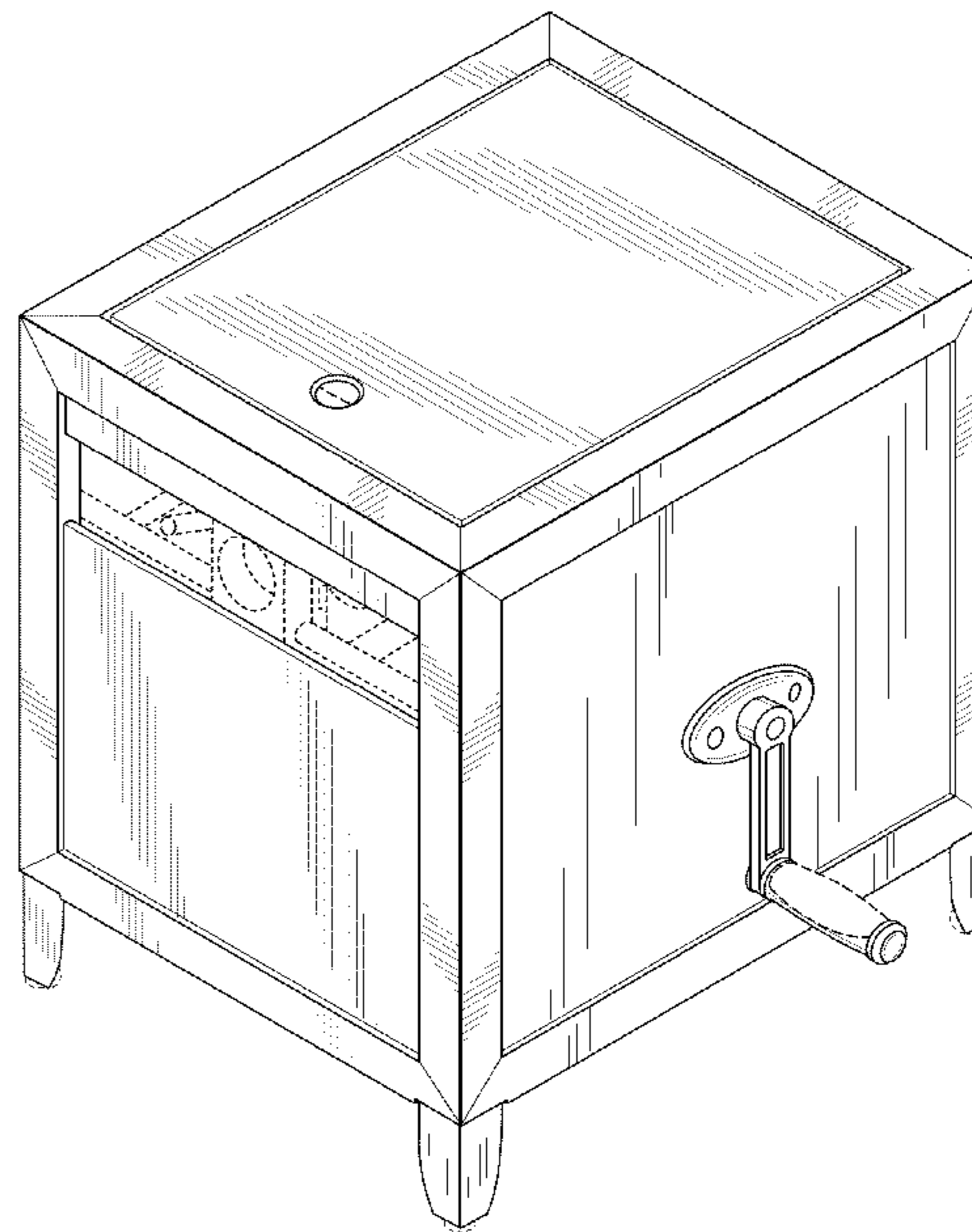
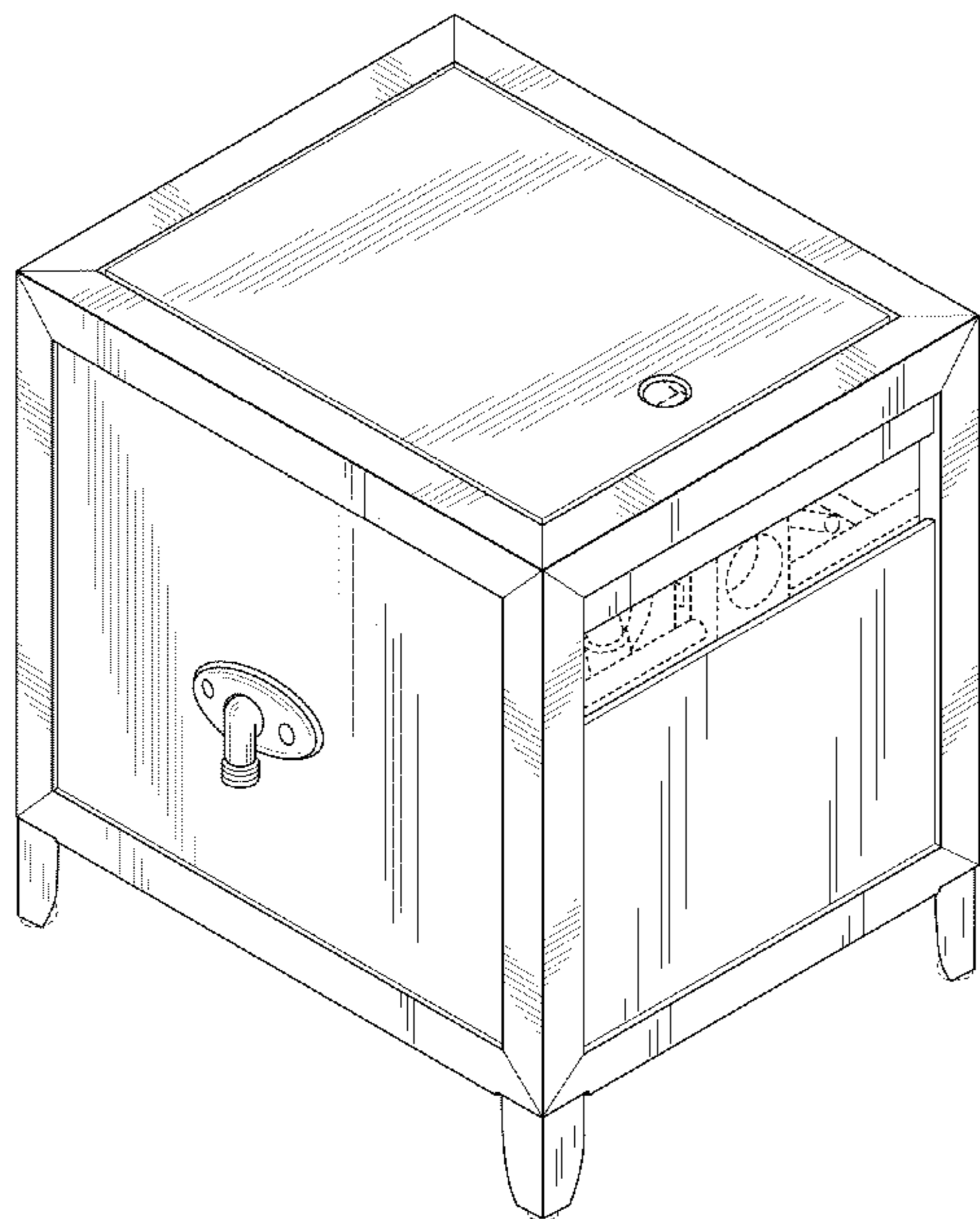
(57) **CLAIM**

The ornamental design for hose box, as shown and described.

**DESCRIPTION**

FIG. 1 is an isometric view of the hose box;  
FIG. 2 is another isometric view of the hose box;  
FIG. 3 is a front side view of the hose box;  
FIG. 4 is a back side view of the hose box;  
FIG. 5 is a top view of the hose box;  
FIG. 6 is a bottom view of the hose box;  
FIG. 7 is a left side view of the hose box; and,  
FIG. 8 is a right side view of the hose box.  
The broken lines in the drawings illustrate portions of the hose box which form no part of the claimed design.

**1 Claim, 8 Drawing Sheets**



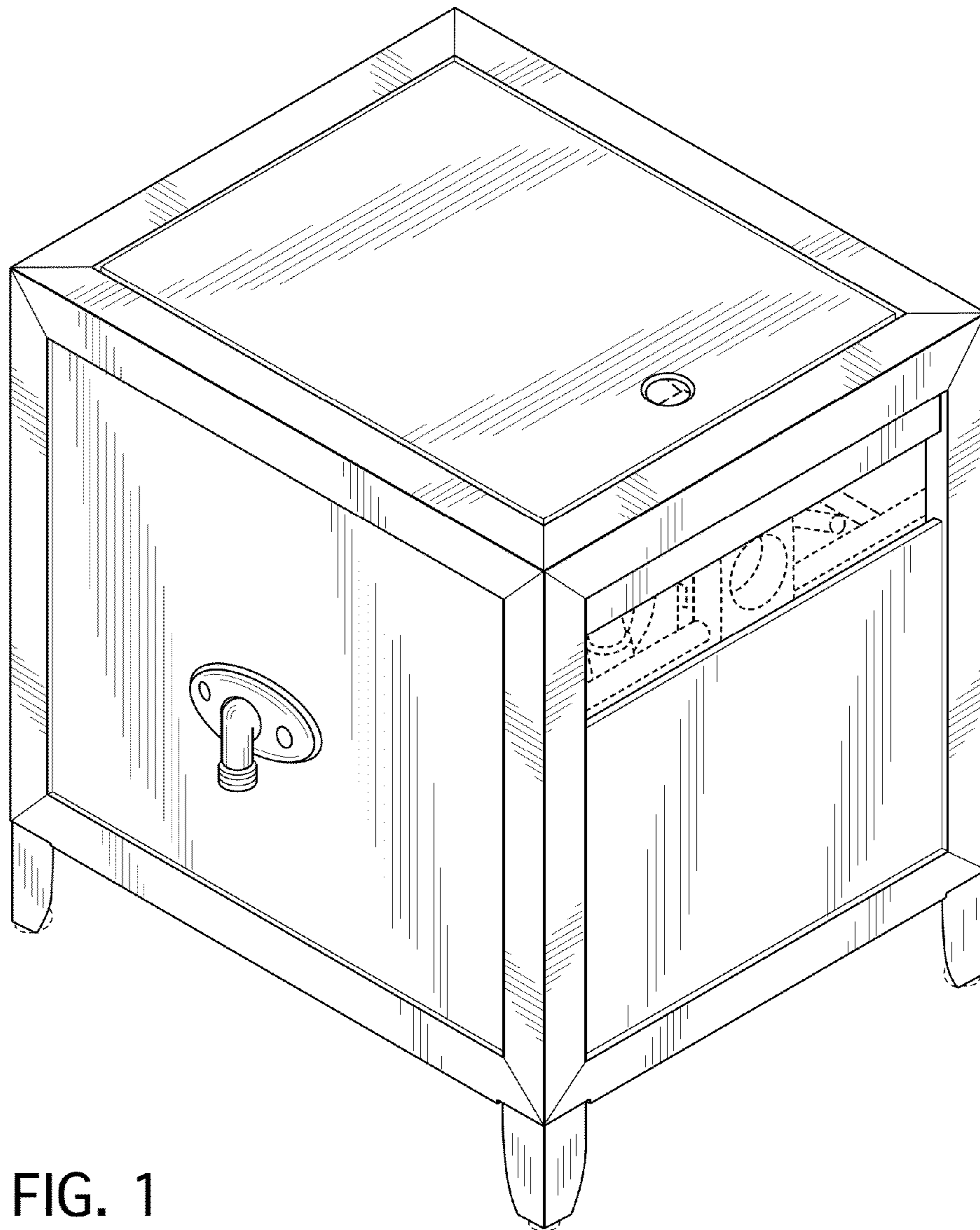


FIG. 1

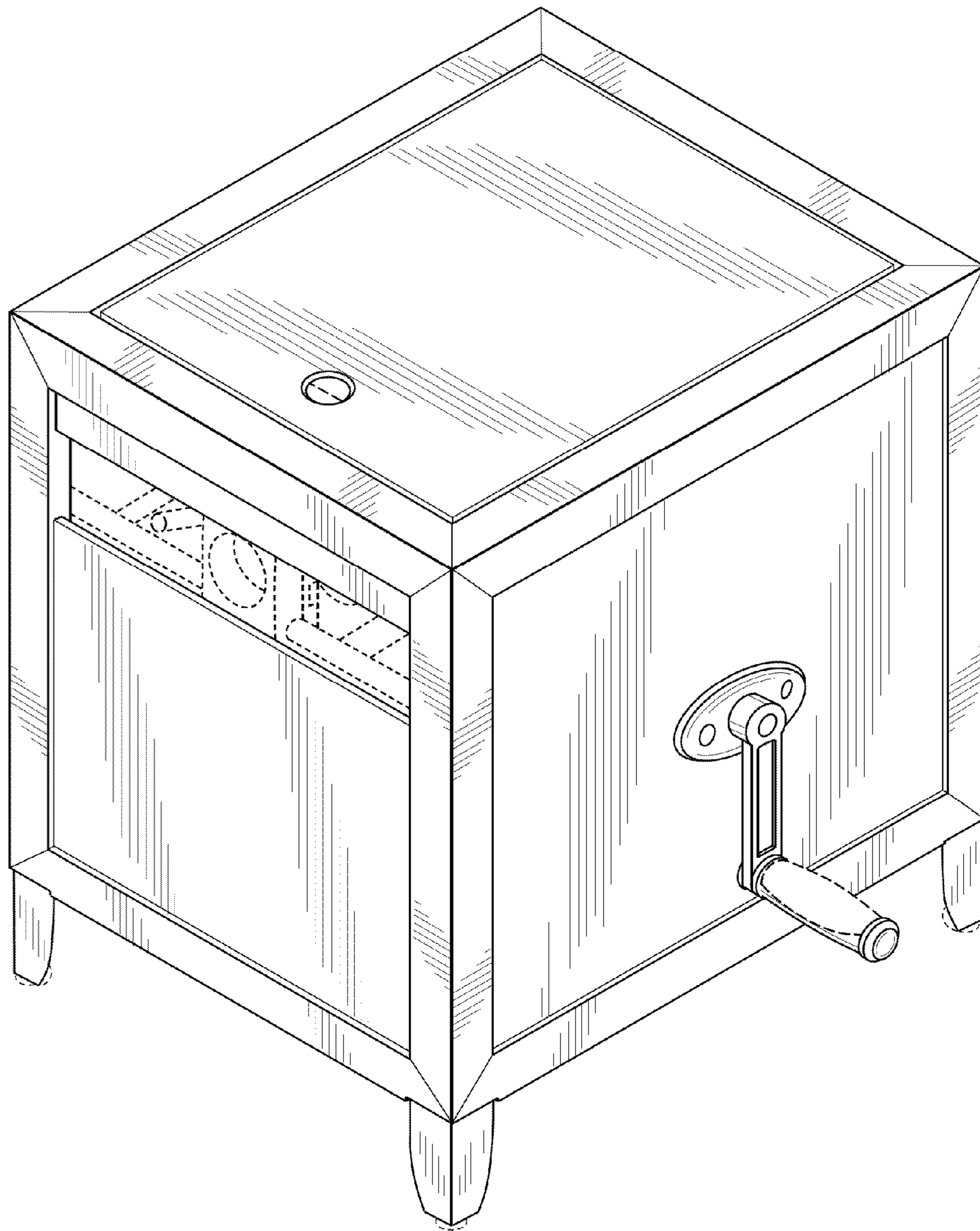


FIG. 2

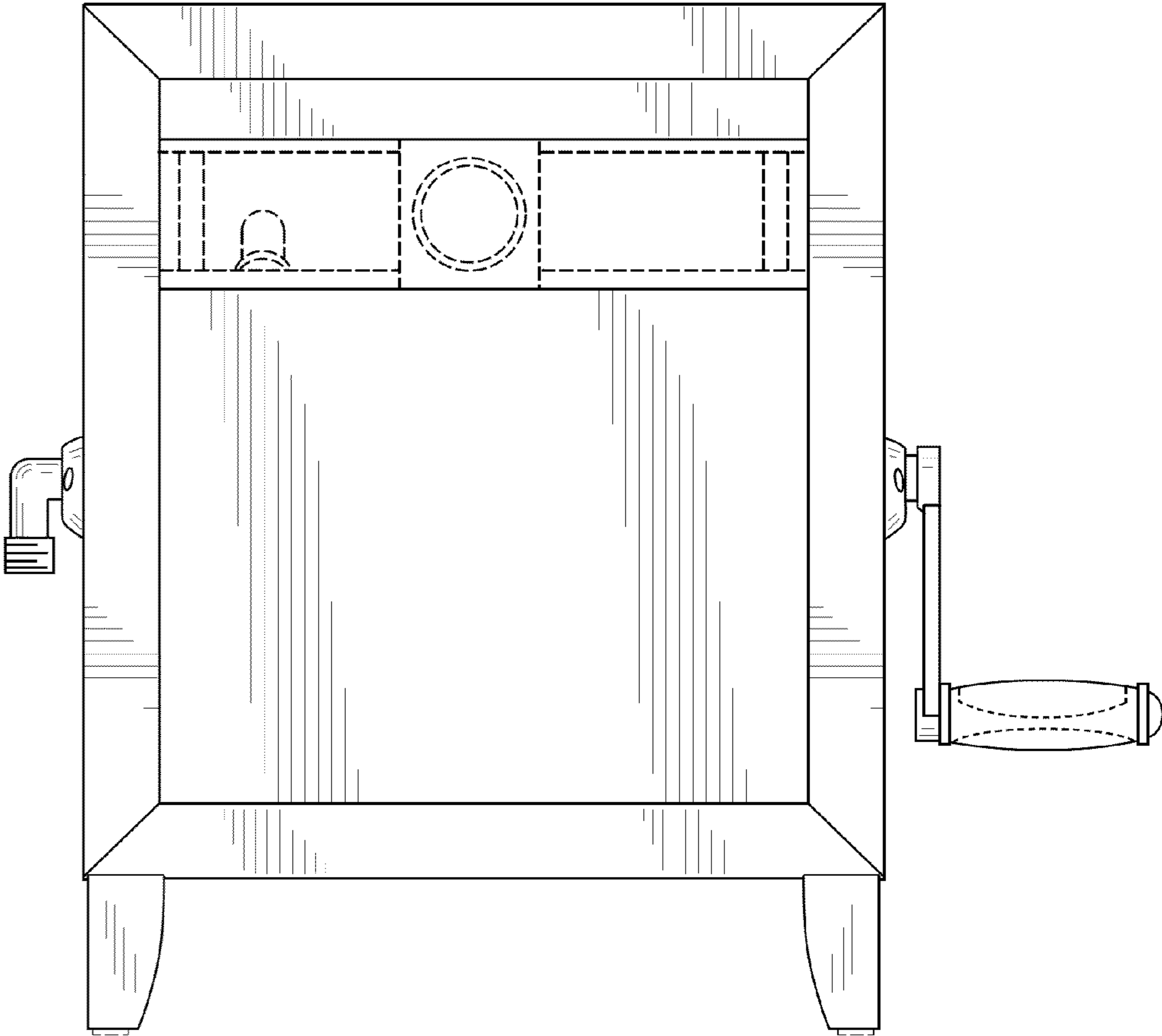


FIG. 3

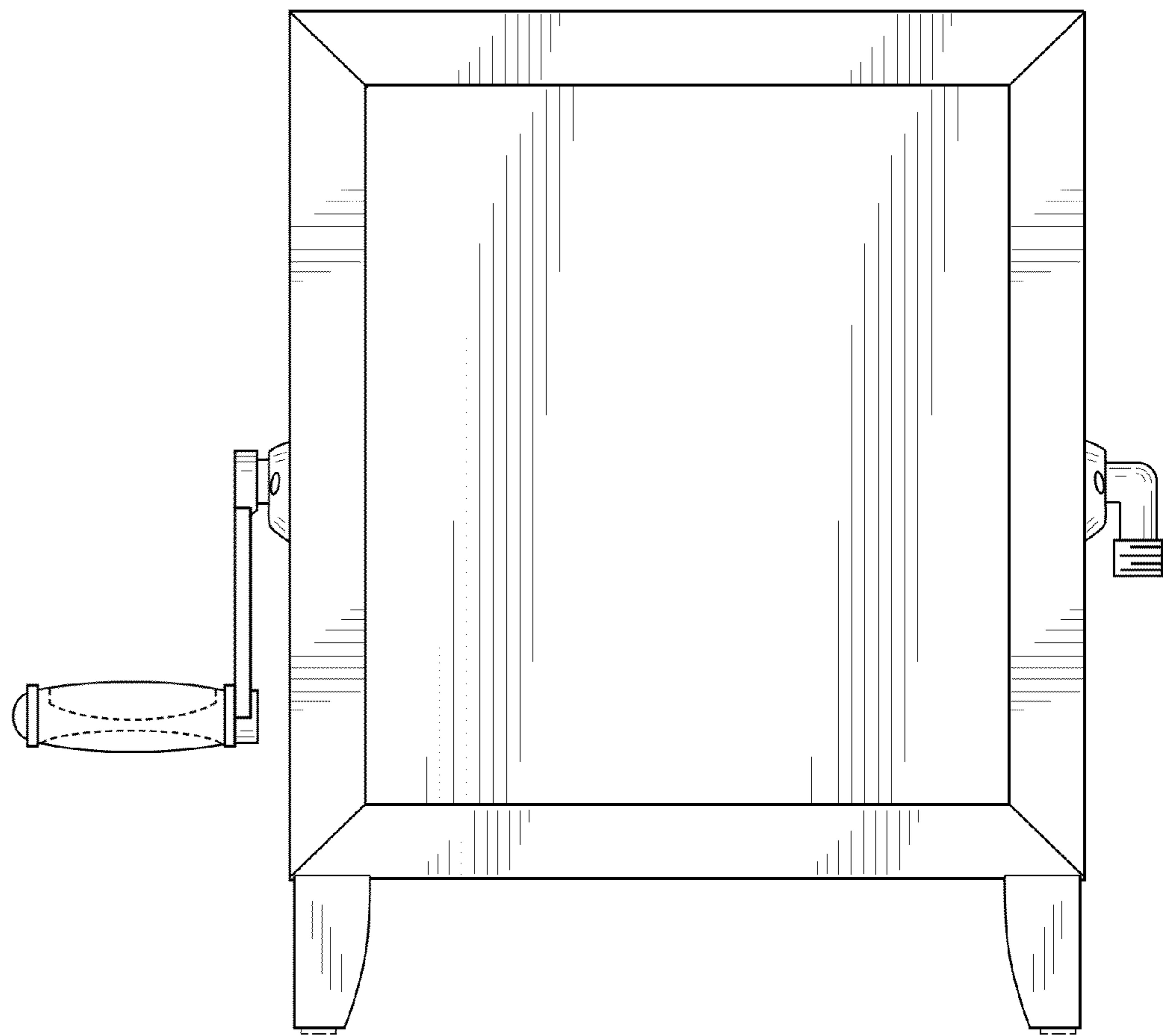


FIG. 4

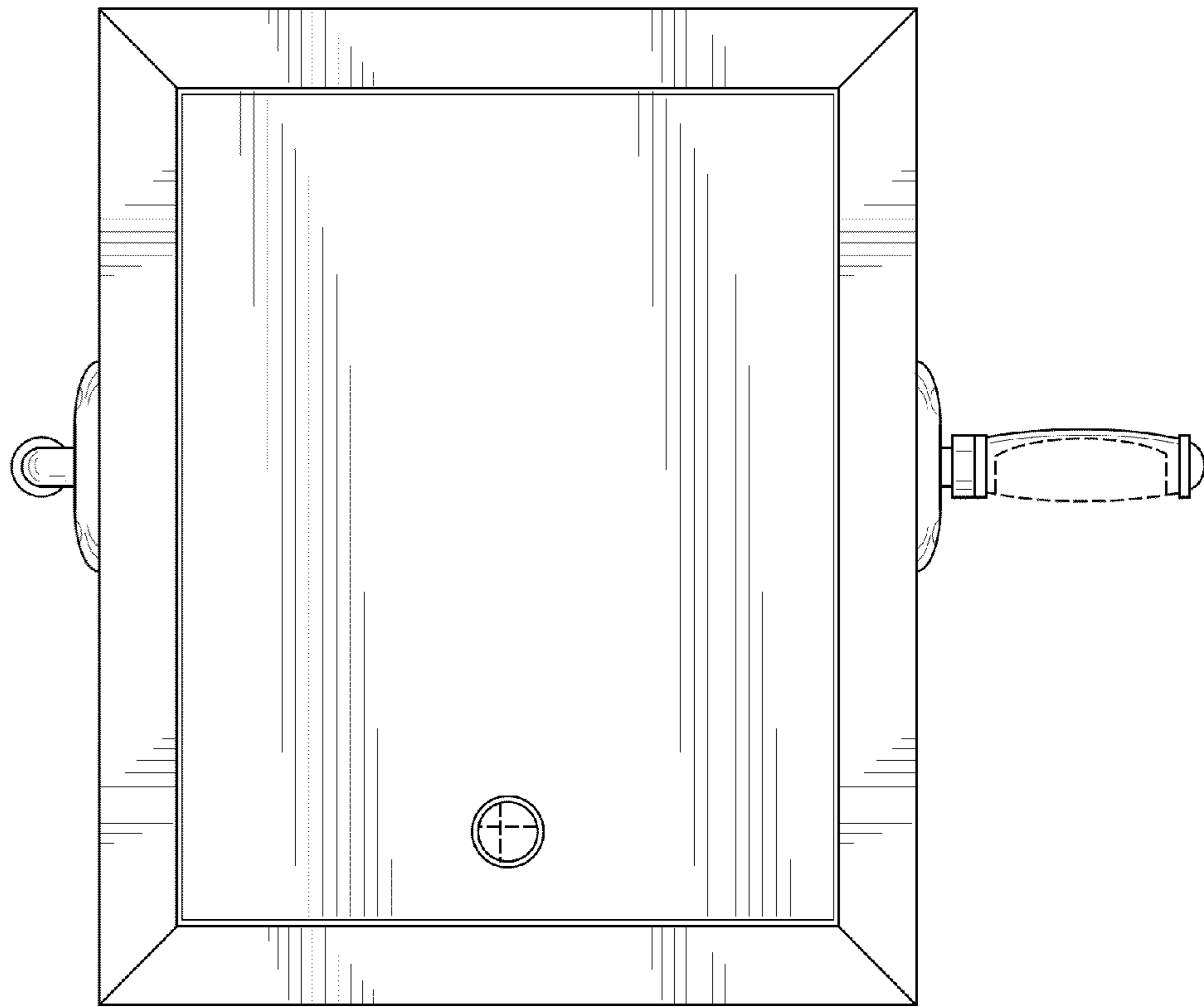


FIG. 5

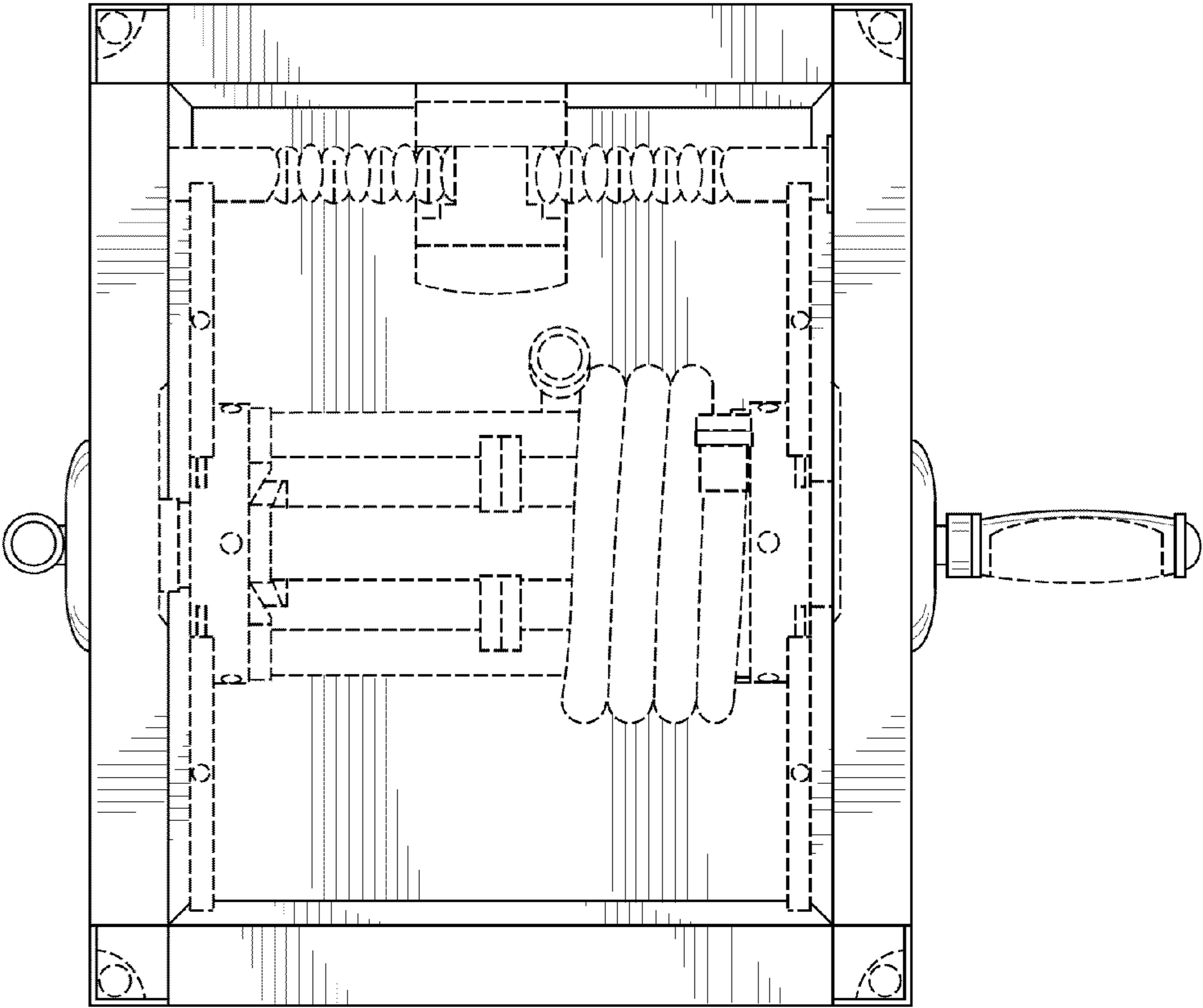


FIG. 6

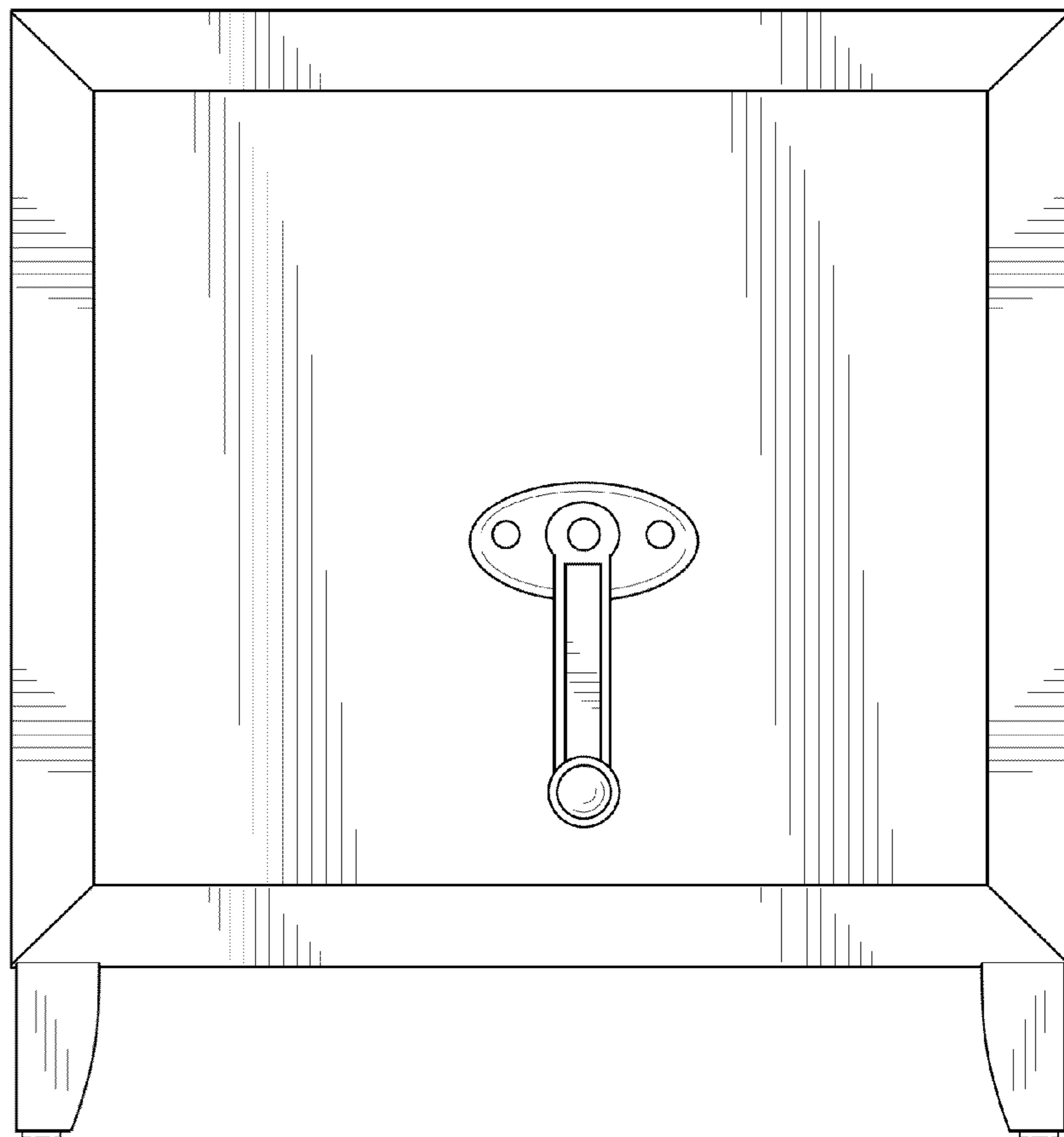


FIG. 7



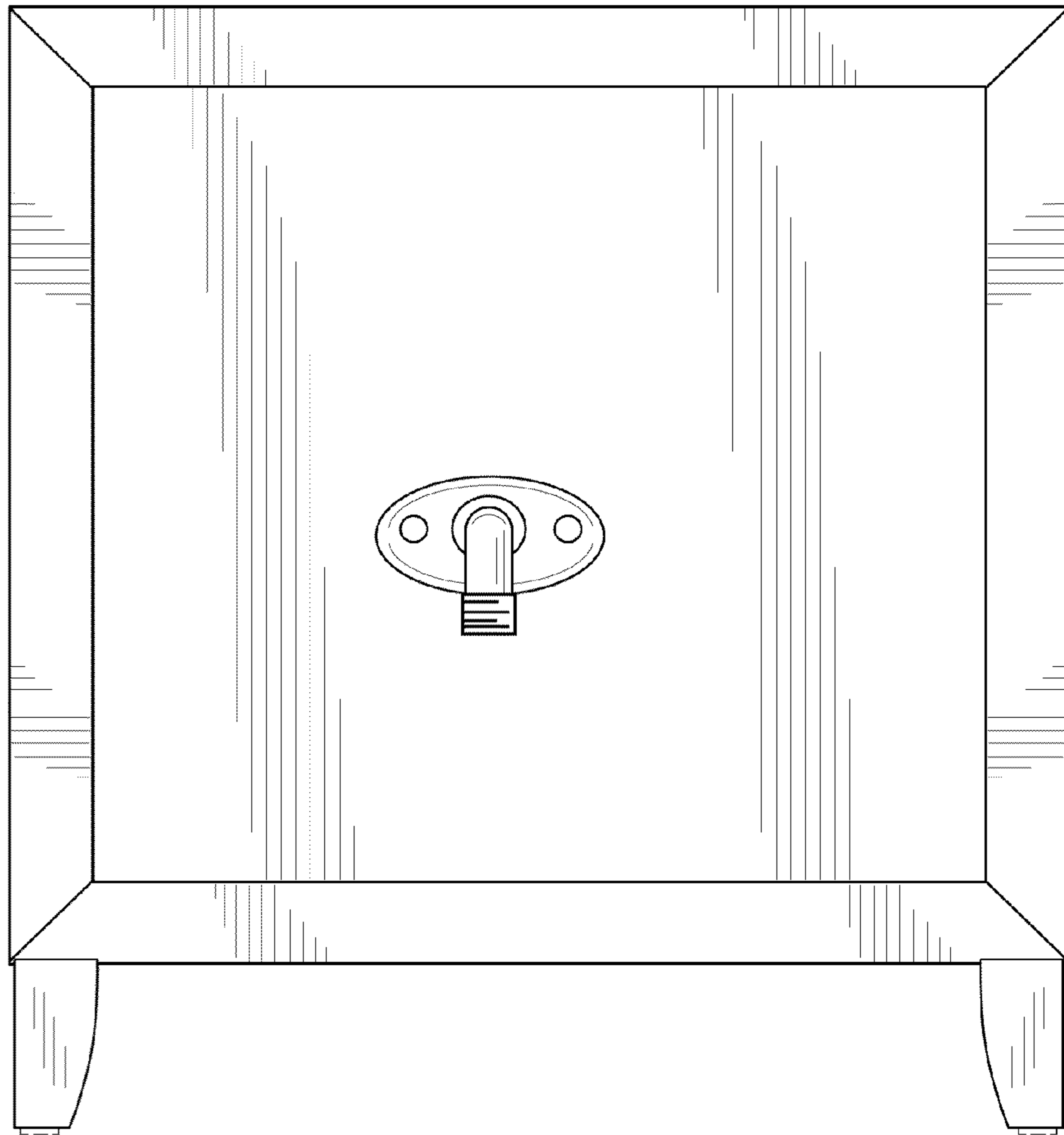


FIG. 8