



US00D724410S

(12) **United States Design Patent**
Han

(10) **Patent No.:** **US D724,410 S**
(45) **Date of Patent:** **** Mar. 17, 2015**

(54) **CABINET KNOB**

(71) Applicant: **Hardware Resources, Inc.**, Bossier City, LA (US)

(72) Inventor: **Kukjin Han**, High Point, NC (US)

(73) Assignee: **Hardware Resources, Inc.**, Bossier City, LA (US)

(**) Term: **14 Years**

(21) Appl. No.: **29/481,752**

(22) Filed: **Feb. 10, 2014**

(51) **LOC (10) Cl.** **08-06**

(52) **U.S. Cl.**
USPC **D8/307**

(58) **Field of Classification Search**
CPC A47B 95/02
USPC D8/307, 300, 301, 310, DIG. 1, DIG. 2;
D23/250, 254; D6/524; 16/110.1, 412,
16/414, 441, 443; 292/347, 337; 74/543,
74/545; 70/208

See application file for complete search history.

(56) **References Cited**

U.S. PATENT DOCUMENTS

D56,145 S *	8/1920	Greene	D8/307
D64,095 S *	2/1924	Yates	D8/307
D65,142 S *	7/1924	Roth	D8/307
1,611,999 A *	12/1926	Cummins	292/356
D80,291 S *	1/1930	Sherman	D8/307
D85,771 S *	12/1931	Ruppel	D8/311

1,916,113 A *	6/1933	Claud-Mantle et al.	292/114
2,190,192 A *	2/1940	Raymond	16/417
2,722,209 A *	11/1955	Pillow	123/185.4
D188,342 S *	7/1960	Faber	D8/307
D189,126 S *	11/1960	Maffei	D8/307
D203,148 S *	12/1965	Kaiser	D23/250
D204,461 S *	4/1966	Voker	D22/108
D285,246 S *	8/1986	Fetty	D23/250
5,586,459 A *	12/1996	Bullock et al.	70/224
D454,045 S *	3/2002	Rinner et al.	D8/107
D542,622 S *	5/2007	Ricereto	D8/307
D579,746 S *	11/2008	Krumpe	D8/307
D588,896 S *	3/2009	Ricereto	D8/307
D612,703 S *	3/2010	Hanes	D8/307
D613,823 S *	4/2010	Sofield	D23/250
D626,399 S *	11/2010	Jou	D8/307

* cited by examiner

Primary Examiner — Paula Greene

(74) *Attorney, Agent, or Firm* — Schultz & Associates, P.C.

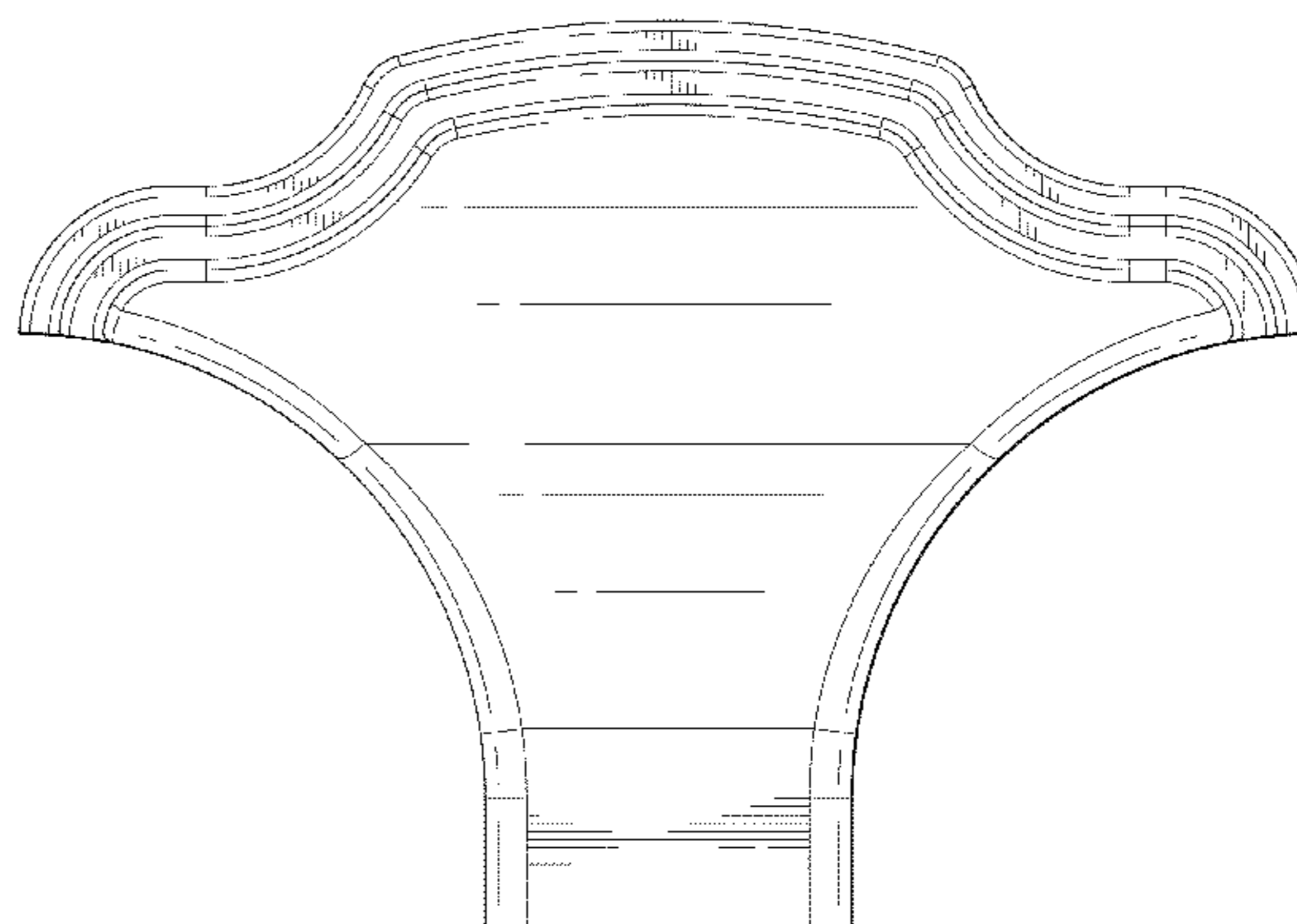
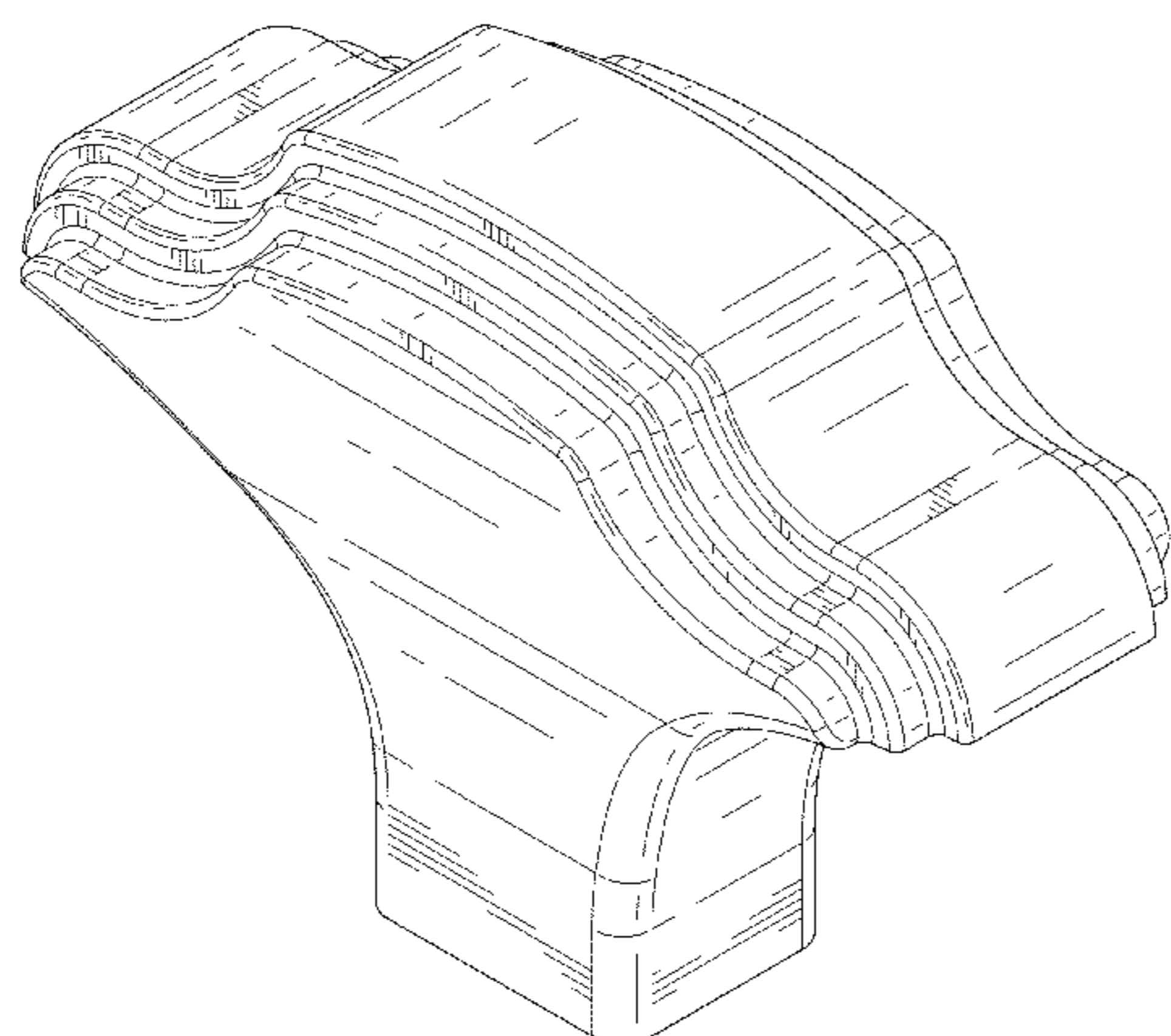
(57) **CLAIM**

The ornamental design for a cabinet knob, as shown and described.

DESCRIPTION

FIG. 1 is a perspective view of a cabinet knob showing my new design;
FIG. 2 is a side elevation view thereof;
FIG. 3 is a side elevation view thereof;
FIG. 4 is a top plan view thereof; and,
FIG. 5 is a bottom plan view thereof.
The broken lines shown represent unclaimed subject matter and form no part of the claimed design.

1 Claim, 4 Drawing Sheets



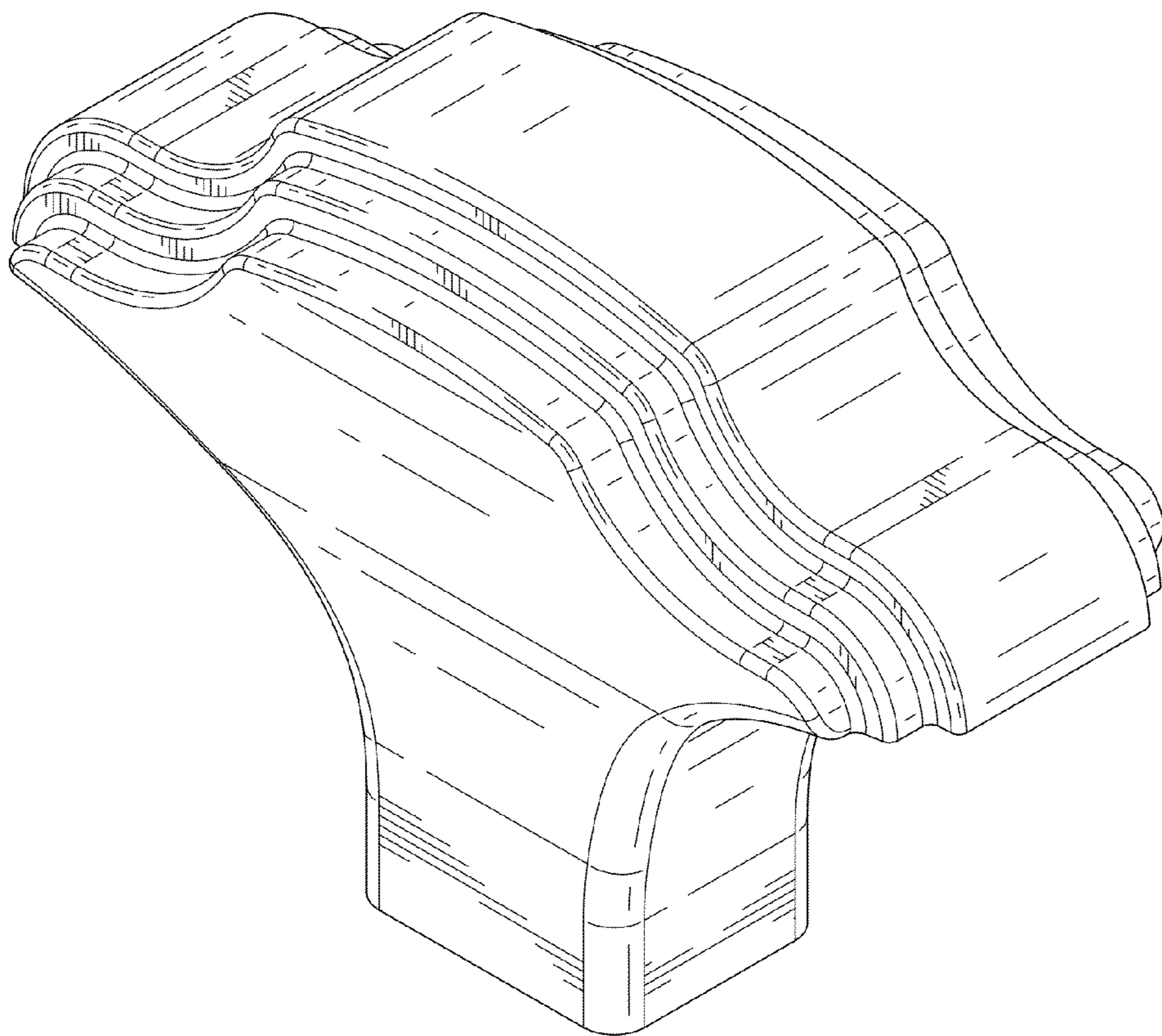


FIG. 1

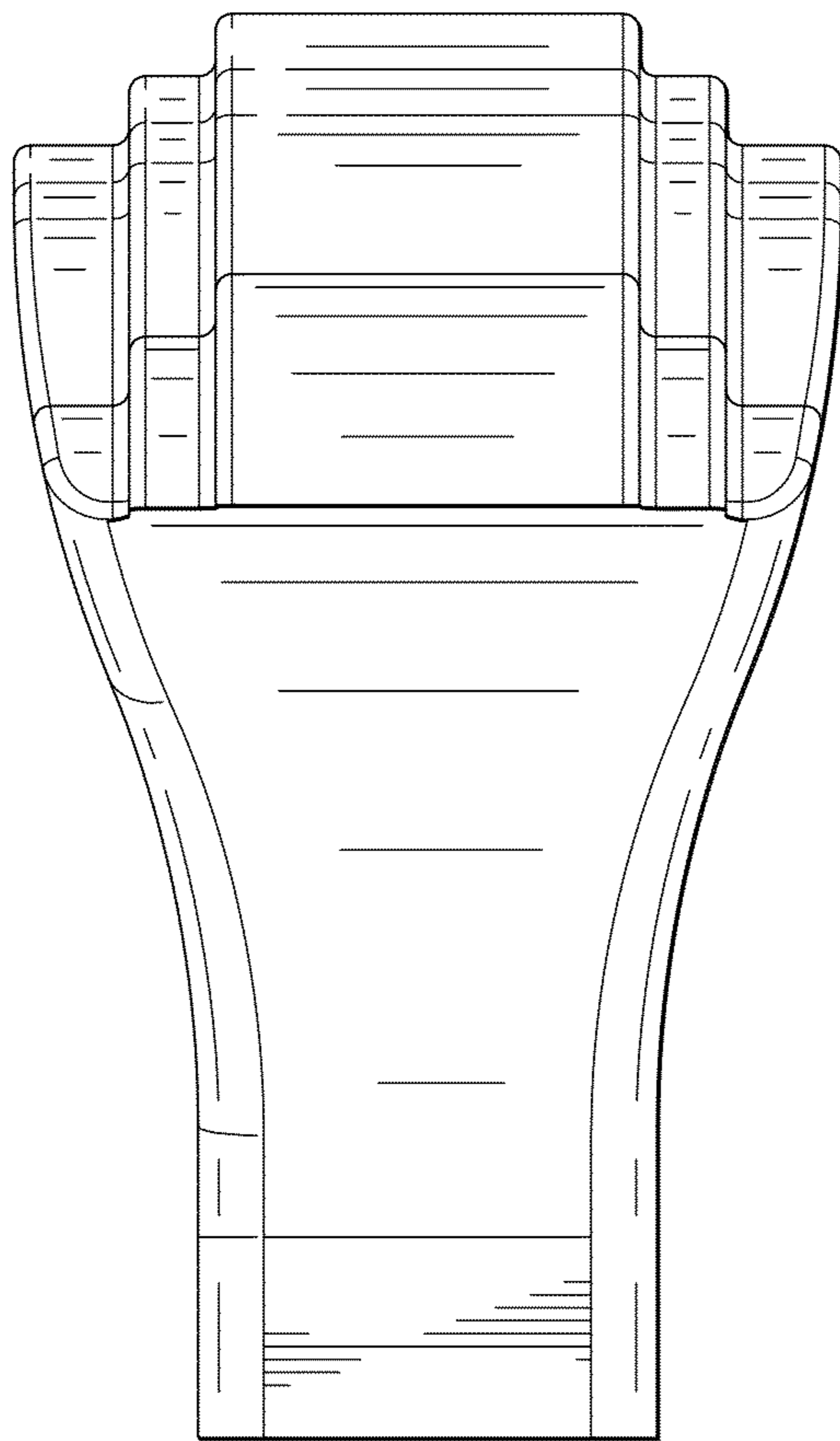


FIG. 2

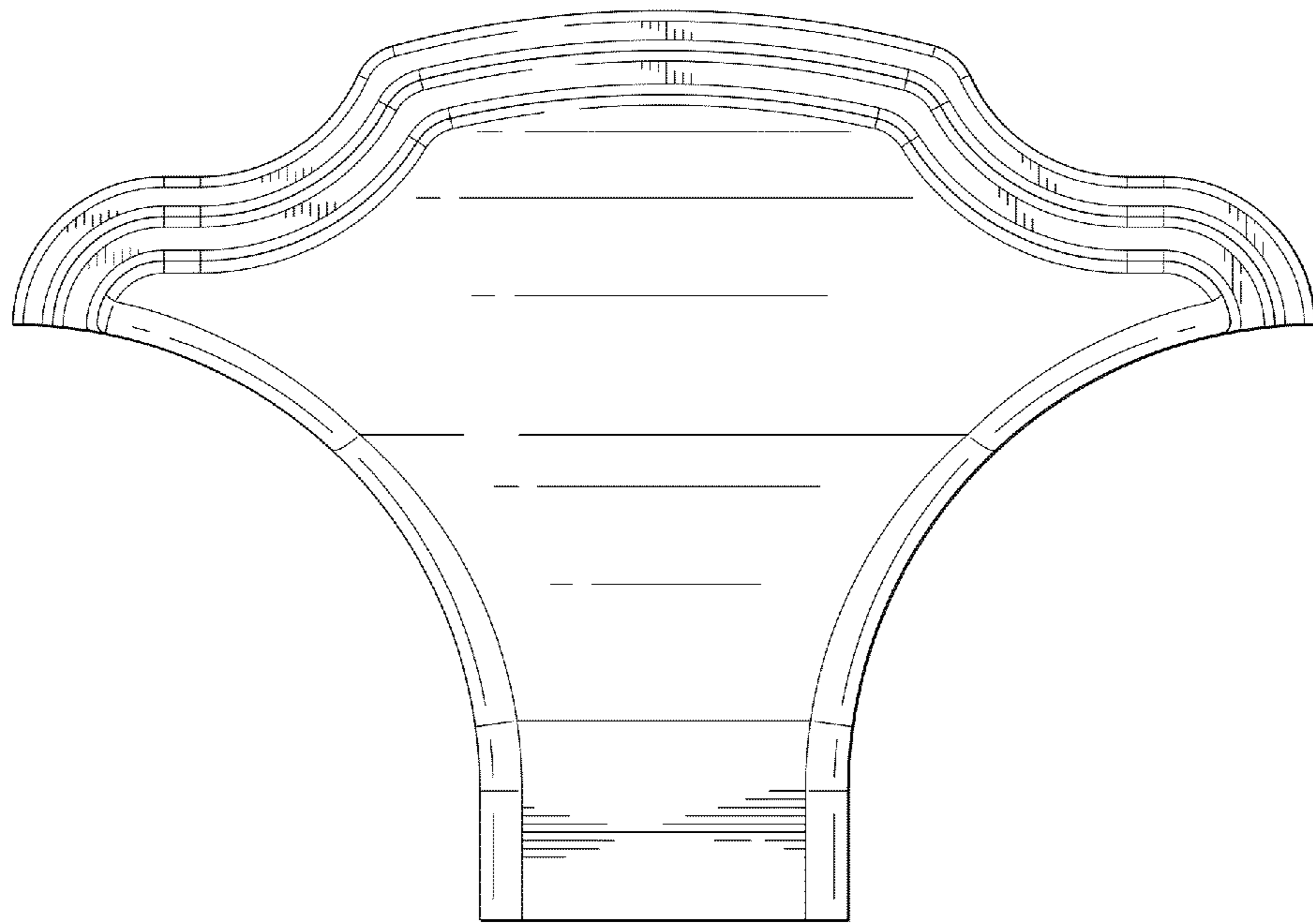


FIG. 3

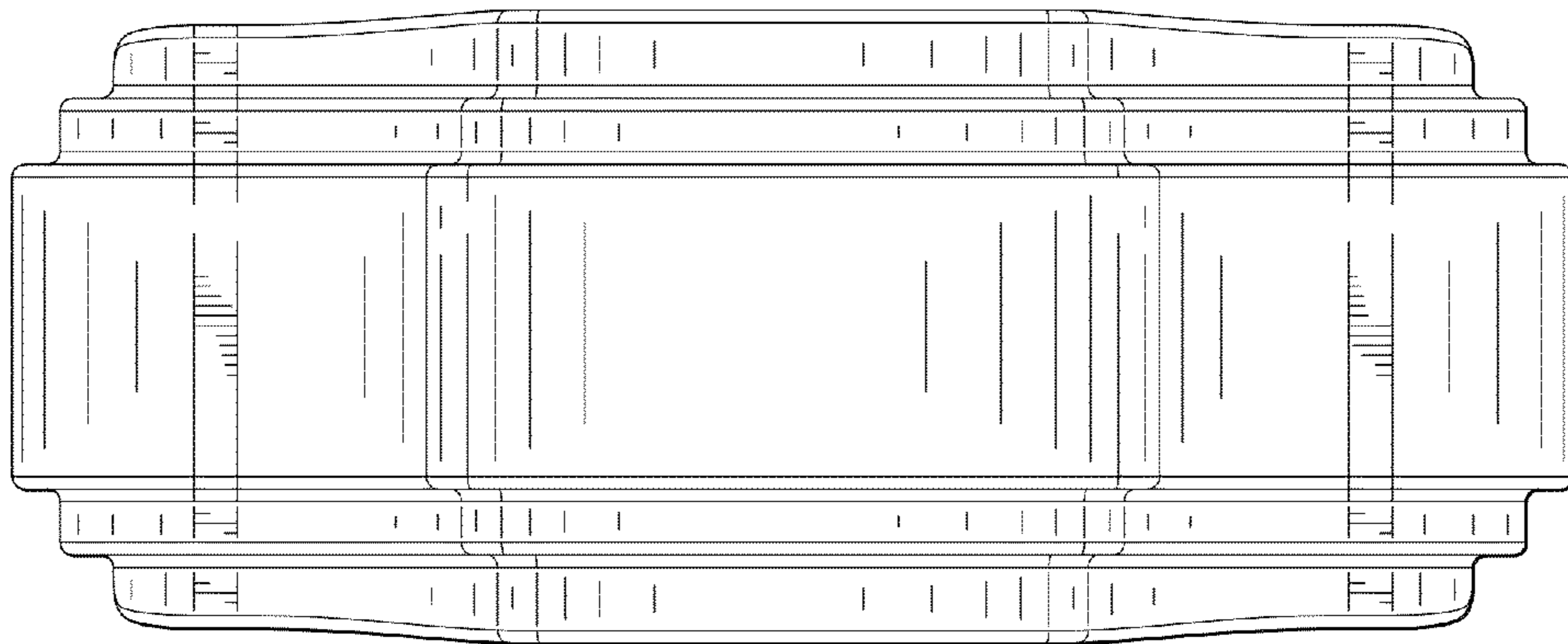


FIG. 4

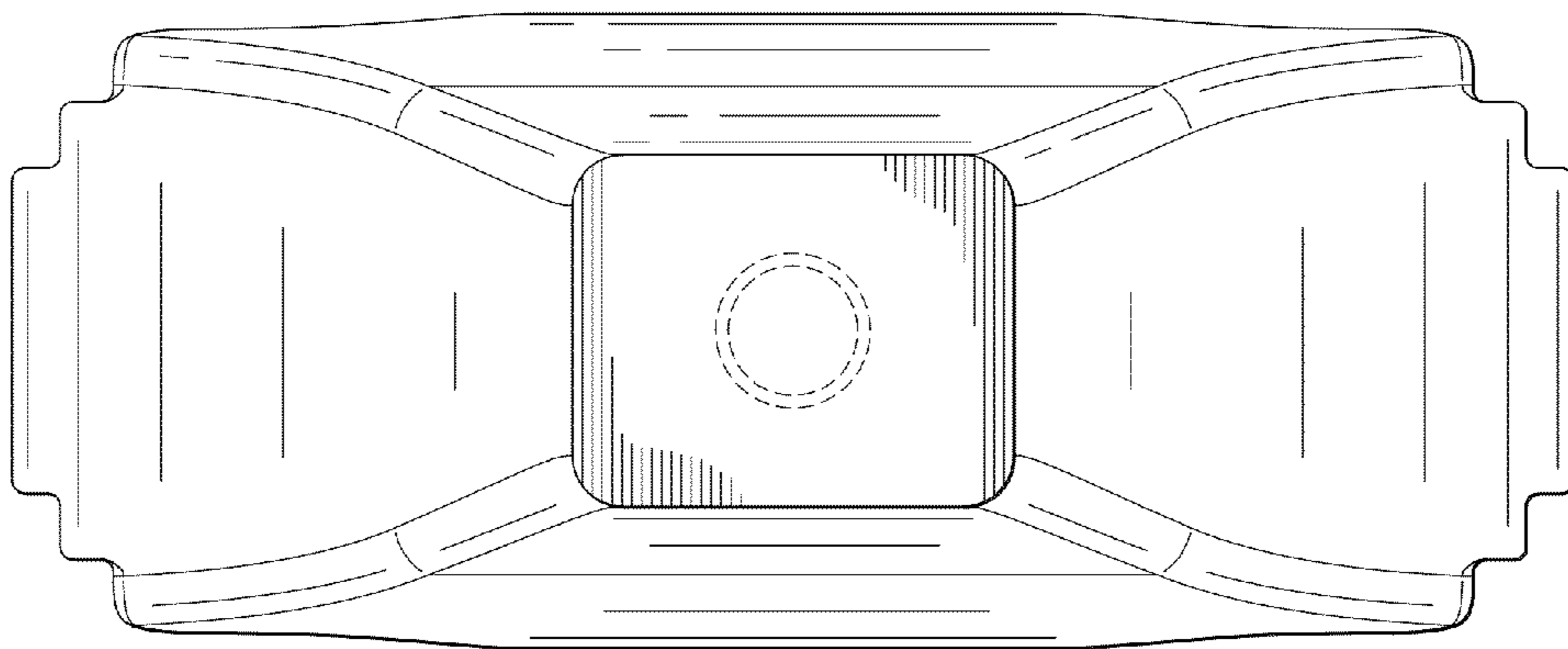


FIG. 5