



US00D724409S

(12) **United States Design Patent**
Segler

(10) **Patent No.:** **US D724,409 S**
(45) **Date of Patent:** **** Mar. 17, 2015**

(54) **UTILITY KNIFE**
(71) Applicant: **Florian Segler**, Solingen (DE)
(72) Inventor: **Florian Segler**, Solingen (DE)
(73) Assignee: **Martor KG**, Solingen (DE)
(**) Term: **14 Years**

(21) Appl. No.: **29/464,258**
(22) Filed: **Aug. 14, 2013**
(51) **LOC (10) Cl.** **08-03**
(52) **U.S. Cl.**
USPC **D8/99**
(58) **Field of Classification Search**
CPC B26B 1/08; B26B 11/00; F41B 13/02
USPC D8/20, 95, 97, 98-99, 107; D22/118;
30/154-162, 320, 329-333, 335
See application file for complete search history.

(56) **References Cited**

U.S. PATENT DOCUMENTS

5,502,896 A * 4/1996 Chen 30/162
D398,829 S * 9/1998 Okada D8/99
D399,114 S * 10/1998 Okada D8/99
D453,673 S * 2/2002 Chen D8/99
D453,896 S * 2/2002 Hirai D8/99

D459,189 S * 6/2002 Chong D8/99
D511,448 S * 11/2005 Chen D8/99
D517,894 S * 3/2006 Kondo et al. D8/99
D549,068 S * 8/2007 Groten D8/99
D596,474 S * 7/2009 Groten D8/99
D596,915 S * 7/2009 Garcia et al. D8/99
D645,720 S * 9/2011 Wu D8/99
D699,540 S * 2/2014 Wagner D8/99

* cited by examiner

Primary Examiner — Phillip S Hyder

Assistant Examiner — Roselynn Cody

(74) *Attorney, Agent, or Firm* — Andrew Wilford

(57) **CLAIM**

The ornamental design for a utility knife, as shown and described.

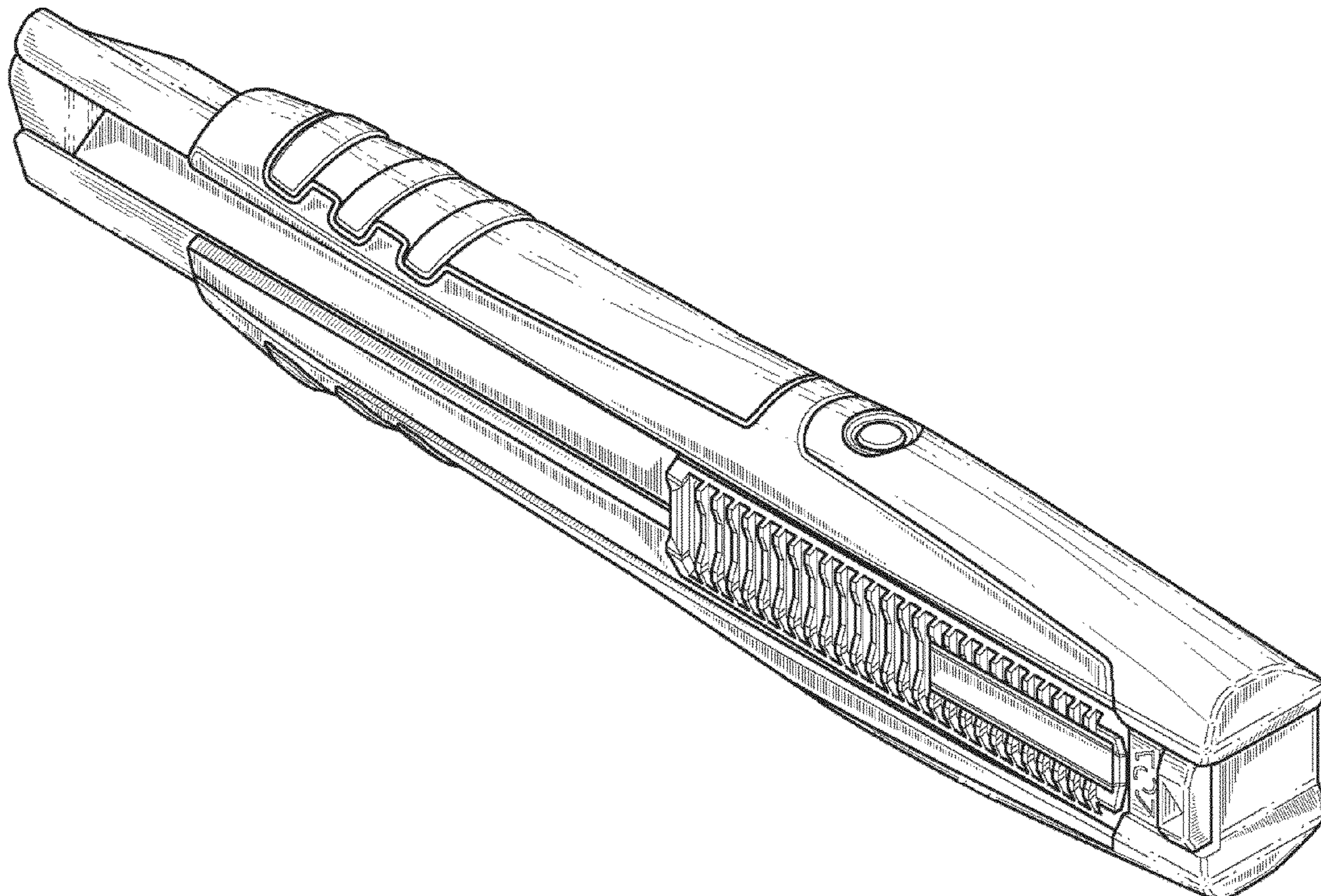
DESCRIPTION

FIG. 1 is a rear perspective view from above of the invention; FIG. 2 is a left-side elevational view of the invention; FIG. 3 is a top view of the invention, the bottom view being a mirror image;

FIG. 4 is a right-side elevational view of the invention; FIG. 5 is a front end view of the knife as seen in FIG. 2; and, FIG. 6 is a rear end view of the knife as seen in FIG. 2.

The broken lines depict portions of the utility knife in which the design is embodied that are not considered part of the claimed design.

1 Claim, 3 Drawing Sheets



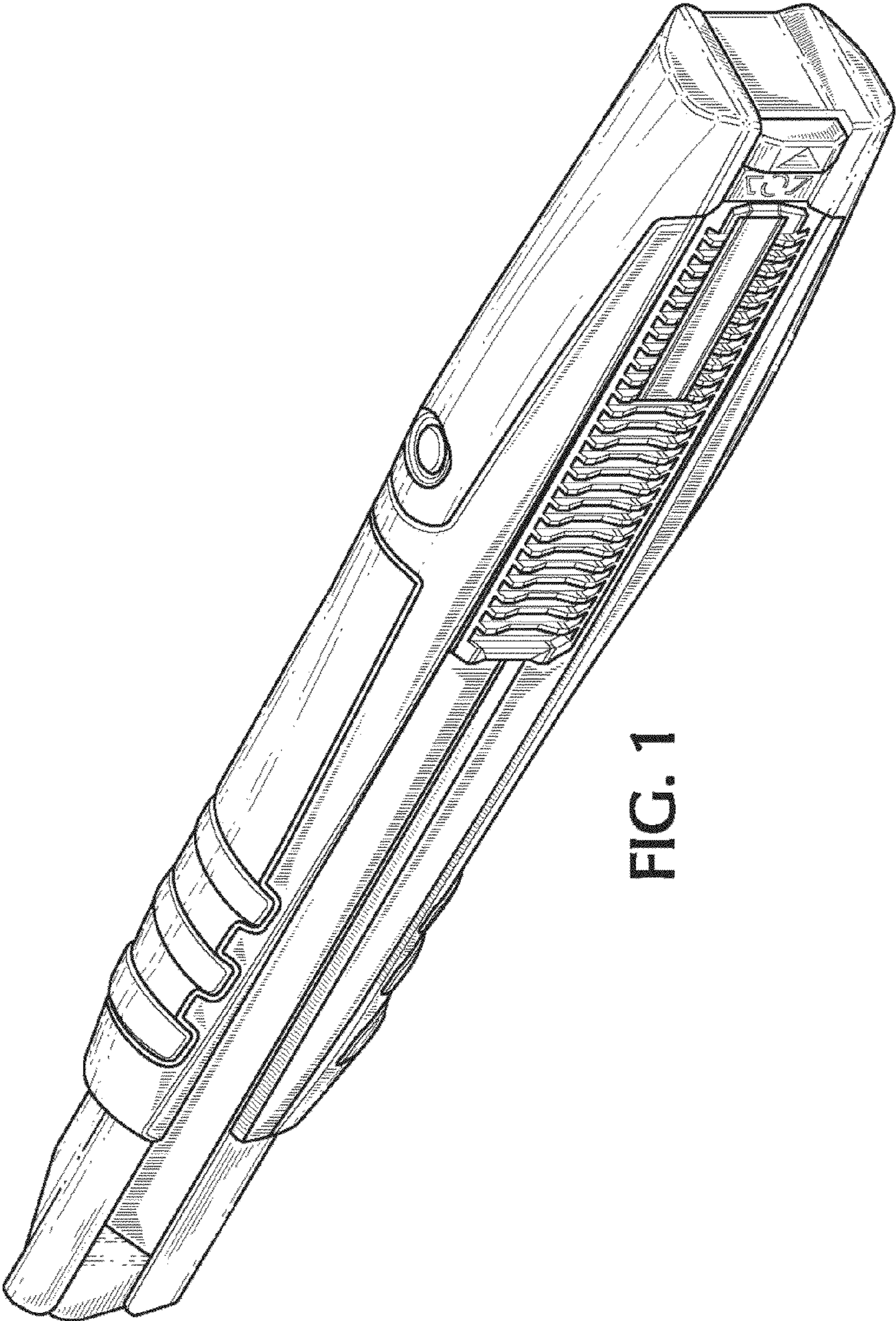


FIG. 1

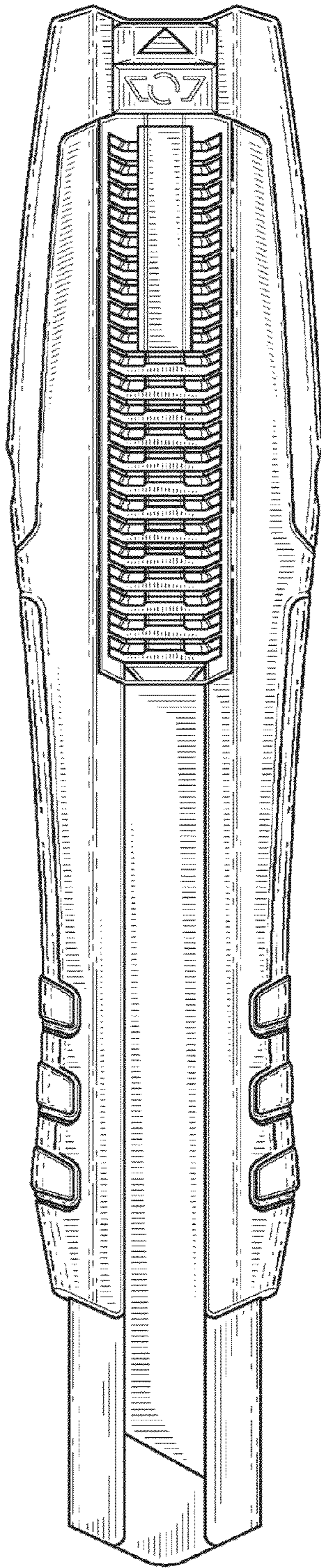


FIG. 2

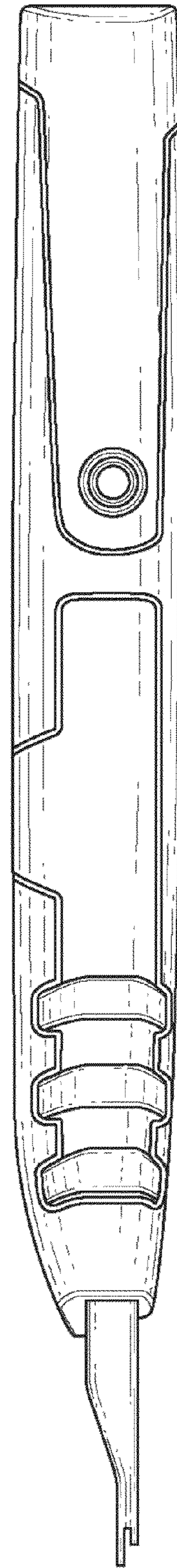


FIG. 3

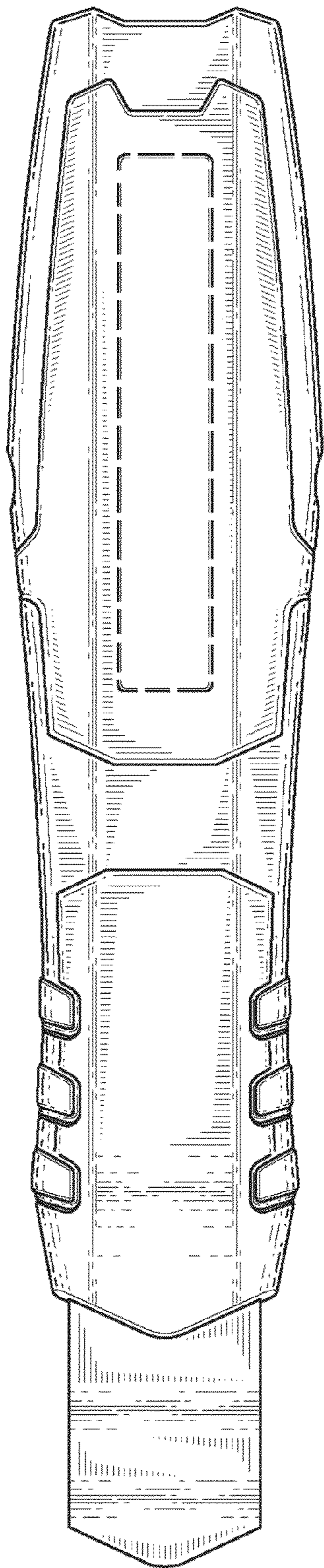


FIG. 4

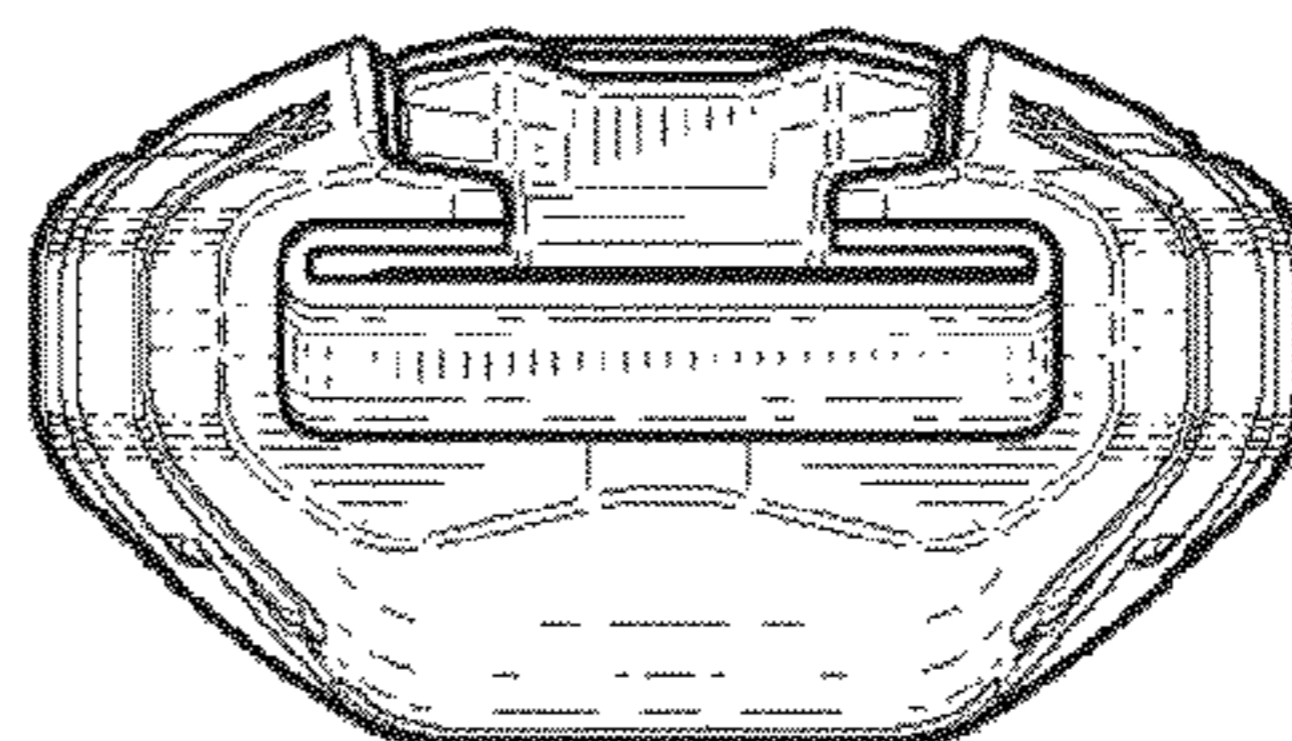


FIG. 5

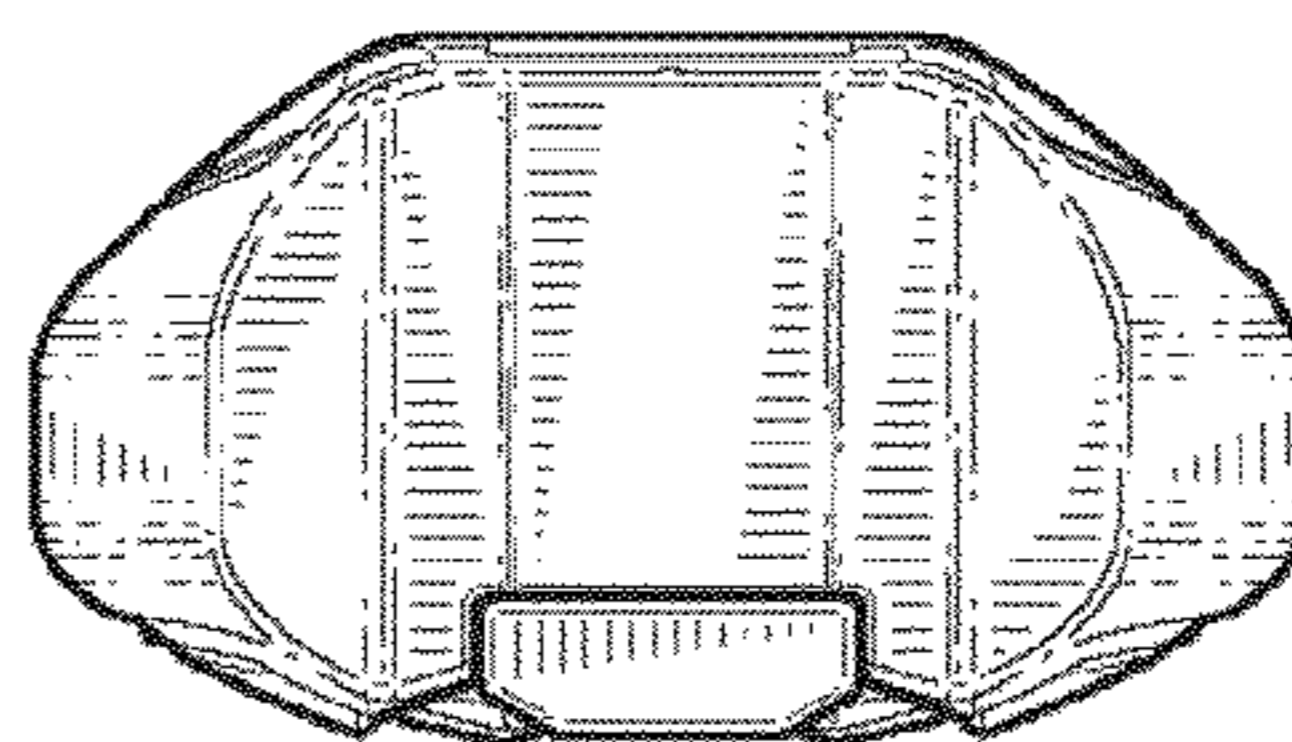


FIG. 6