



US00D724404S

(12) **United States Design Patent**
Fischer-Zernin

(10) **Patent No.:** **US D724,404 S**
(45) **Date of Patent:** **** Mar. 17, 2015**

(54) **NAILER HOUSING HEAD**

(75) Inventor: **Tobias Fischer-Zernin**, Hamburg (DE)

(73) Assignee: **Joh. Friedrich Behrens AG**, Ahrensburg (DE)

(**) Term: **14 Years**

(21) Appl. No.: **29/428,973**

(22) Filed: **Aug. 6, 2012**

(30) **Foreign Application Priority Data**

Feb. 10, 2012	(EM)	001990342-0001
Feb. 10, 2012	(EM)	001990342-0002
Feb. 10, 2012	(EM)	001990342-0003
Feb. 10, 2012	(EM)	001990342-0004
Feb. 10, 2012	(EM)	001990342-0005

(51) **LOC (10) Cl.** **08-03**

(52) **U.S. Cl.**
USPC **D8/68**

(58) **Field of Classification Search**
USPC D8/49, 61-70; 81/54, 57.42, 57.11;
173/170; 227/8, 66, 130
See application file for complete search history.

(56) **References Cited**

U.S. PATENT DOCUMENTS

D353,664	S	*	12/1994	Eminger et al.	D8/69
5,881,941	A	*	3/1999	Lai	227/130
6,059,166	A	*	5/2000	Ho et al.	227/130
6,089,436	A	*	7/2000	Ho et al.	227/130
D463,964	S	*	10/2002	Oh	D8/70
D484,383	S	*	12/2003	Yang	D8/68
D484,765	S	*	1/2004	Yang	D8/68
D498,128	S	*	11/2004	Sterling	D8/68
D507,166	S	*	7/2005	Chen	D8/68

D633,354	S	*	3/2011	Buck	D8/69
D675,501	S	*	2/2013	Buetow et al.	D8/69
D677,544	S	*	3/2013	Jerabek et al.	D8/68
2006/0197289	A1	*	9/2006	Lai et al.	277/594

* cited by examiner

Primary Examiner — Philip S Hyder

Assistant Examiner — Darlington Ly

(74) *Attorney, Agent, or Firm* — Vidas, Arrett & Steinkruas

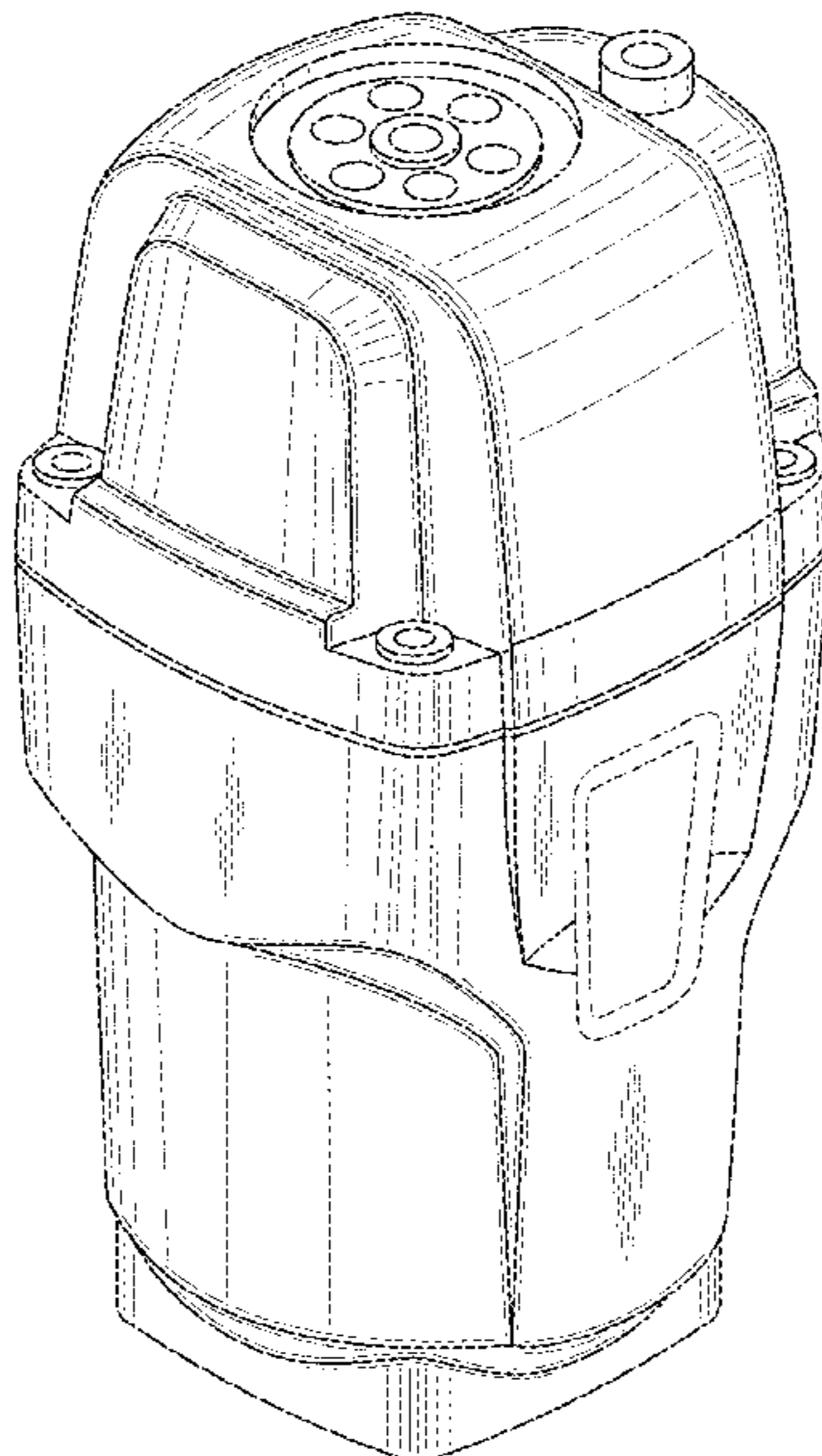
(57) **CLAIM**

The ornamental design for a nailer housing head, as shown and described.

DESCRIPTION

FIG. 1 is a top, front, and right side perspective view of a first embodiment of the nailer housing head;
 FIG. 1A is a partial section view taken through a portion of FIG. 1;
 FIG. 2 is a front elevation view thereof;
 FIG. 3 is a rear elevation view thereof;
 FIG. 4 is a right side view thereof;
 FIG. 5 is a left side view thereof;
 FIG. 6 is a top plan view thereof, and
 FIG. 7 is a bottom plan view thereof.
 FIG. 8 is a top, front, and right side perspective view of a second embodiment of the nailer housing head;
 FIG. 9 is a front elevation view thereof;
 FIG. 10 is a rear elevation view thereof;
 FIG. 11 is a right side view thereof;
 FIG. 12 is a left side view thereof;
 FIG. 13 is a top plan view thereof; and
 FIG. 14 is a bottom plan view thereof.
 The broken lines shown in the drawings illustrate portions of the nailer housing head that forms no part of claimed design.

1 Claim, 14 Drawing Sheets



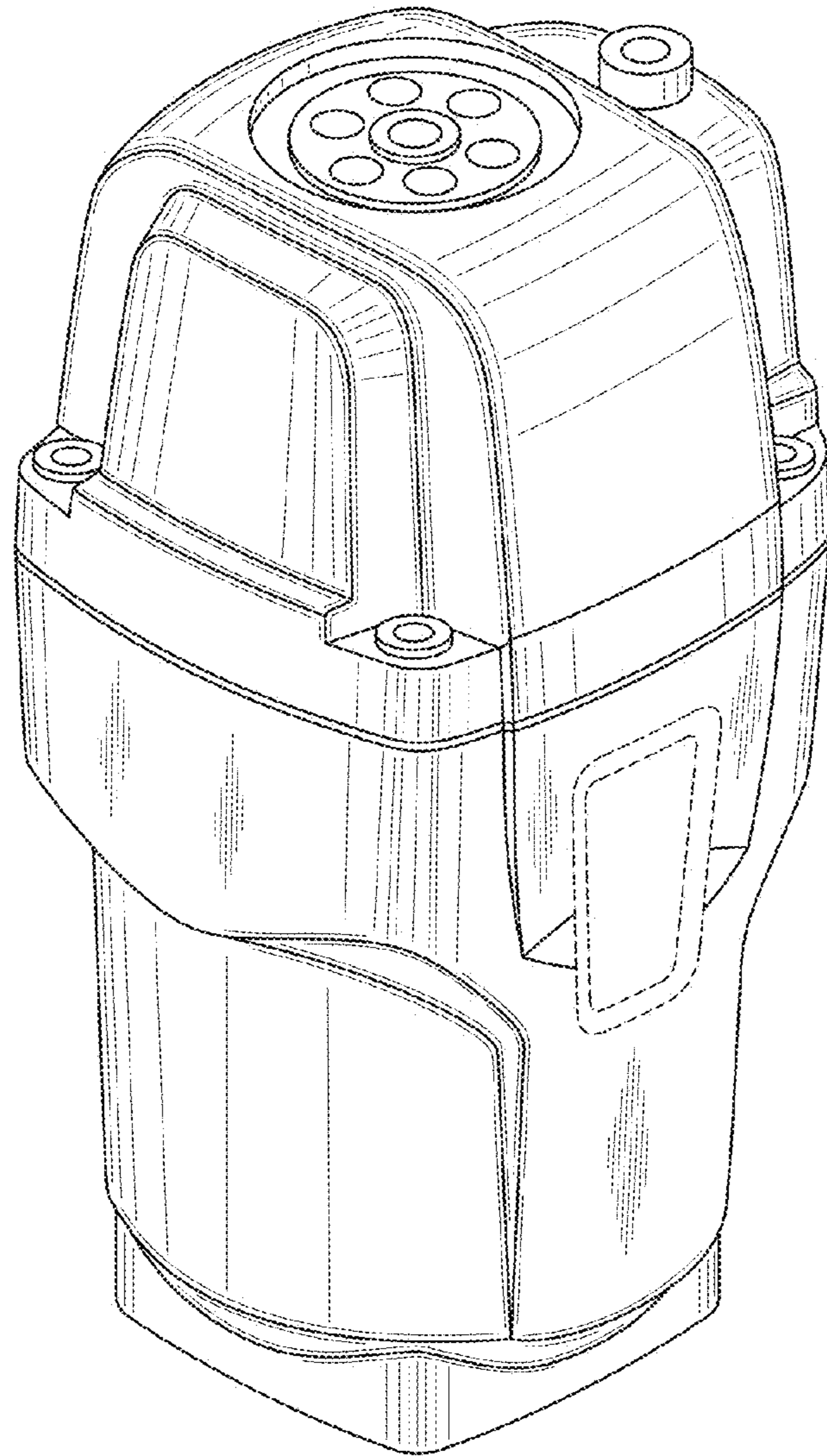


FIG. 1

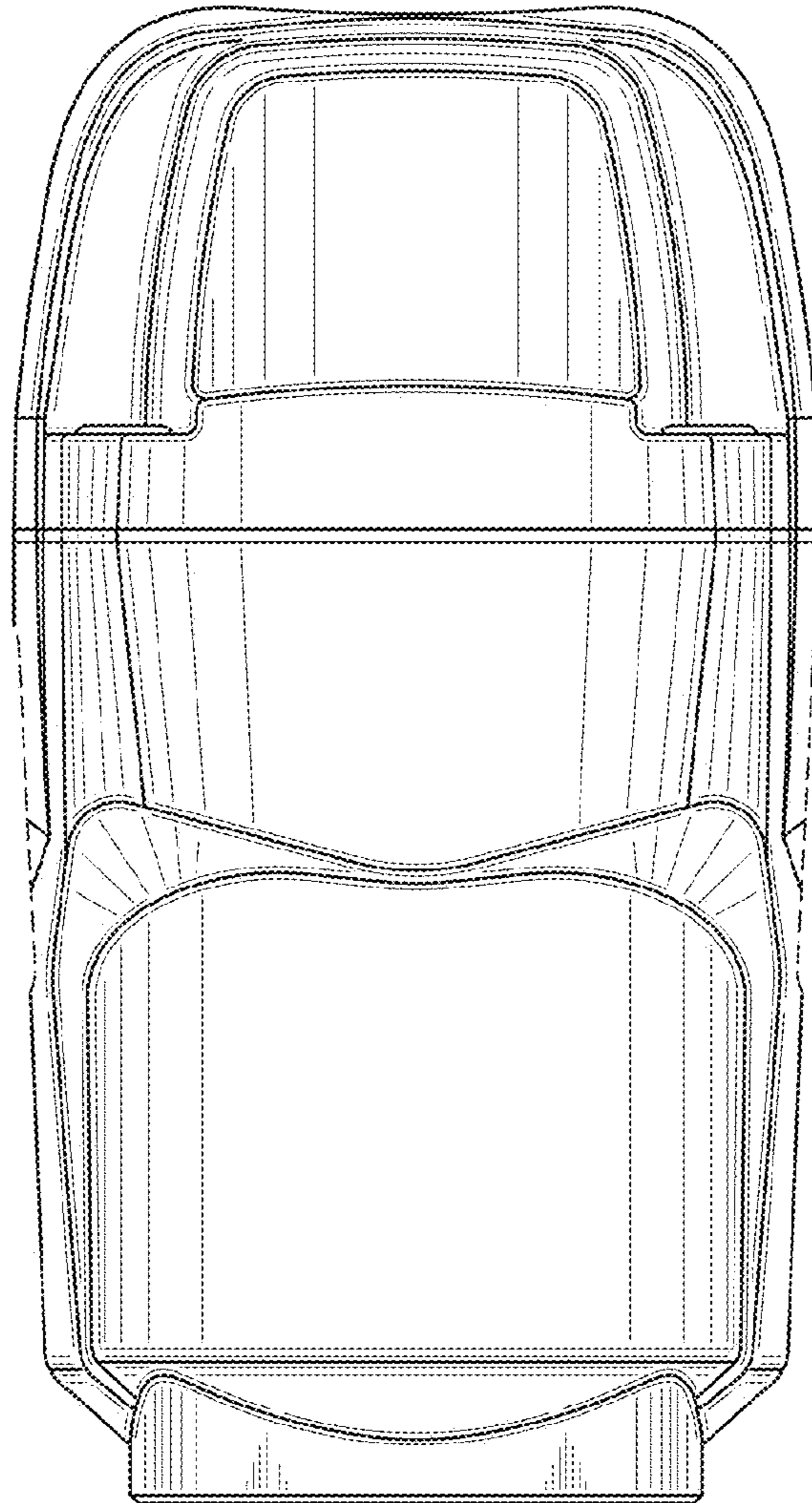


FIG. 2

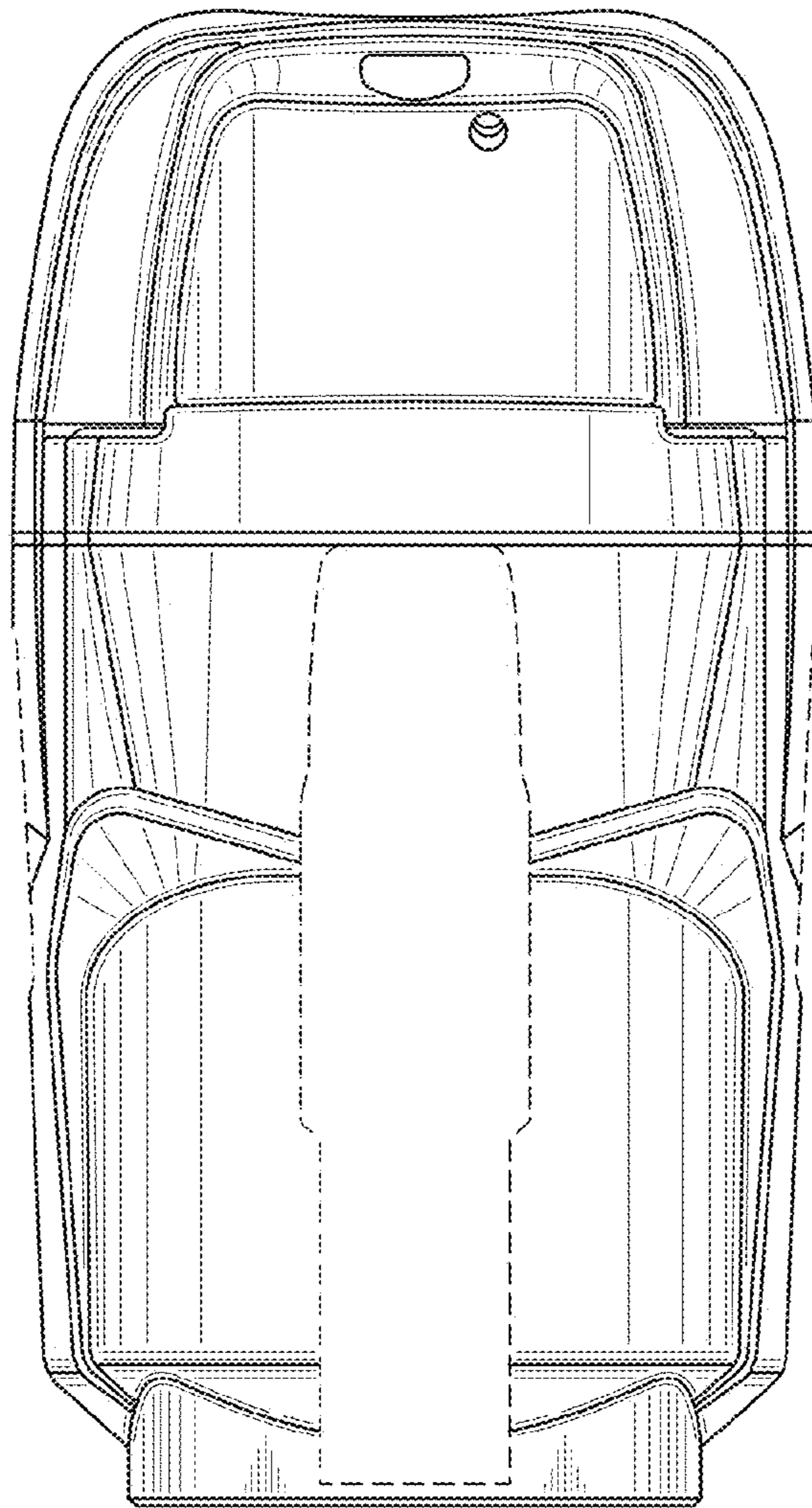


FIG. 3

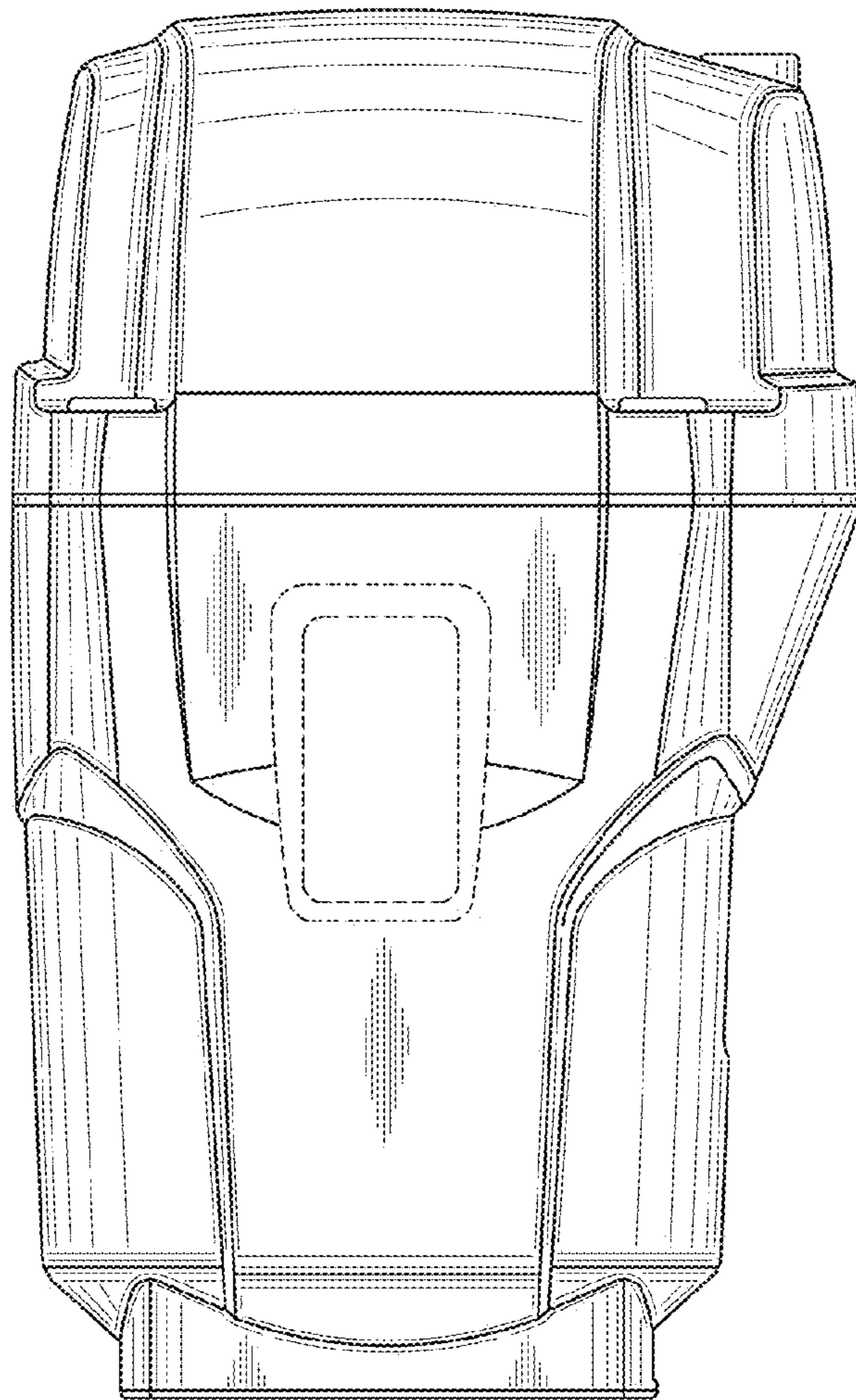


FIG. 4

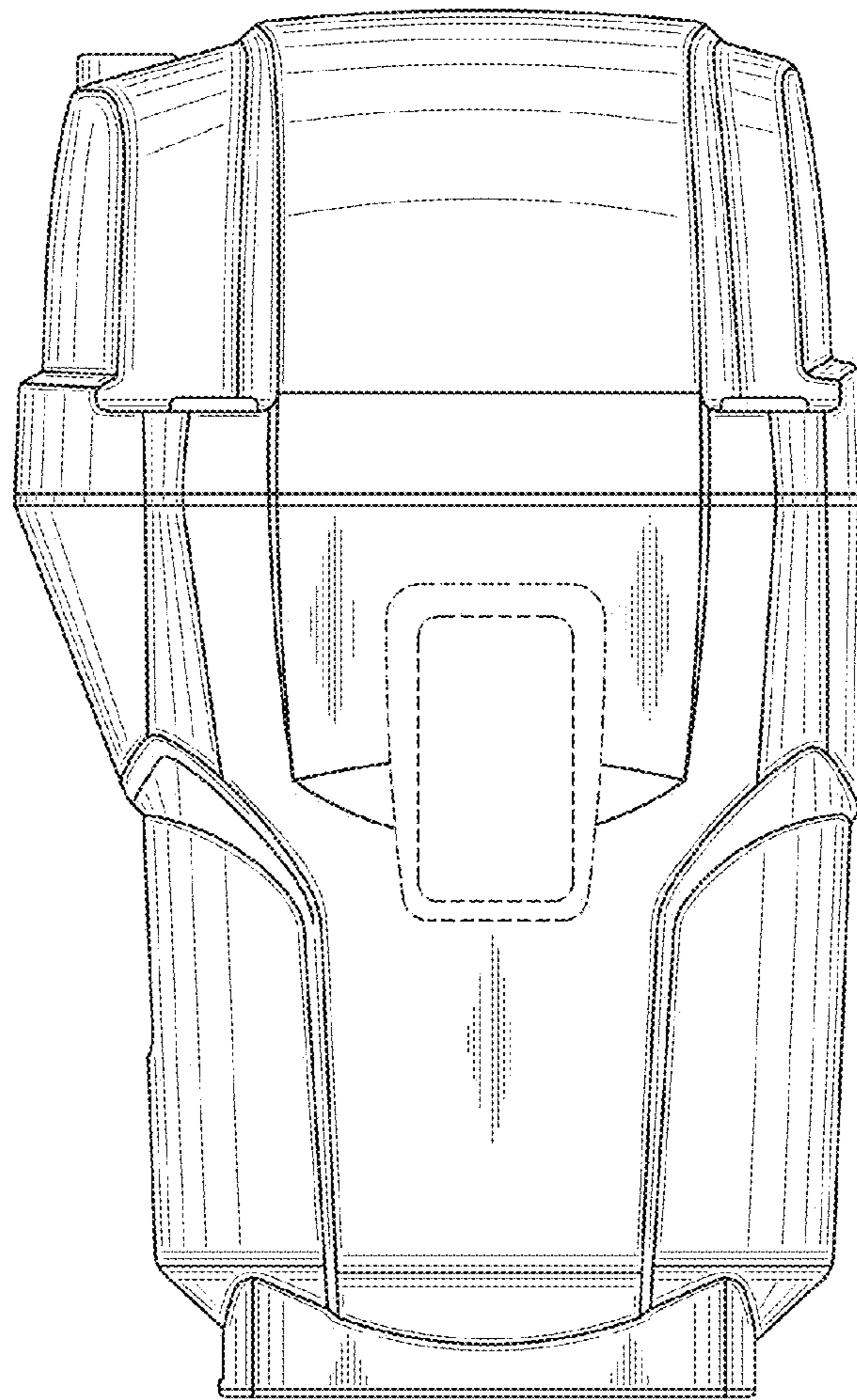


FIG. 5

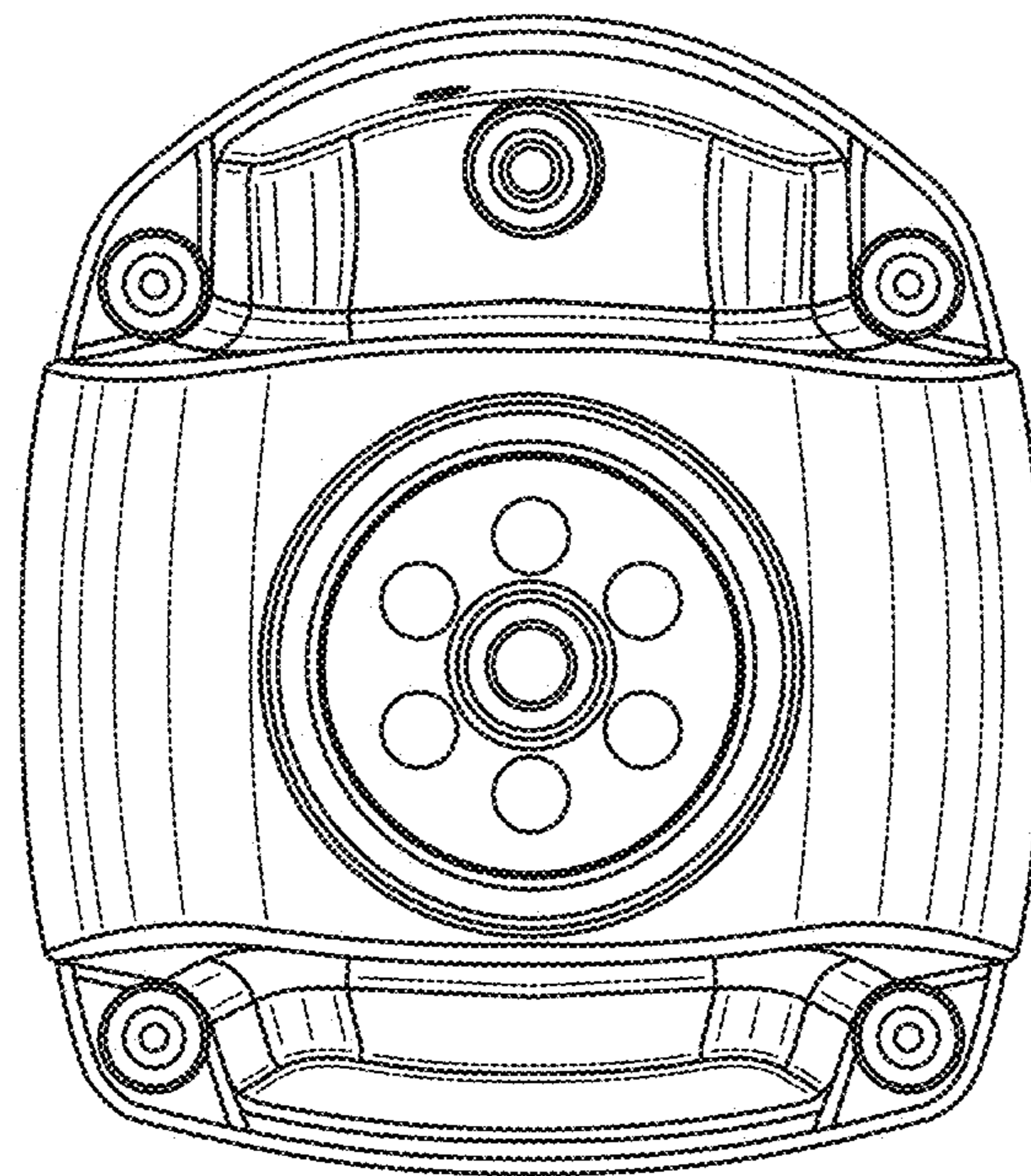


Figure 6

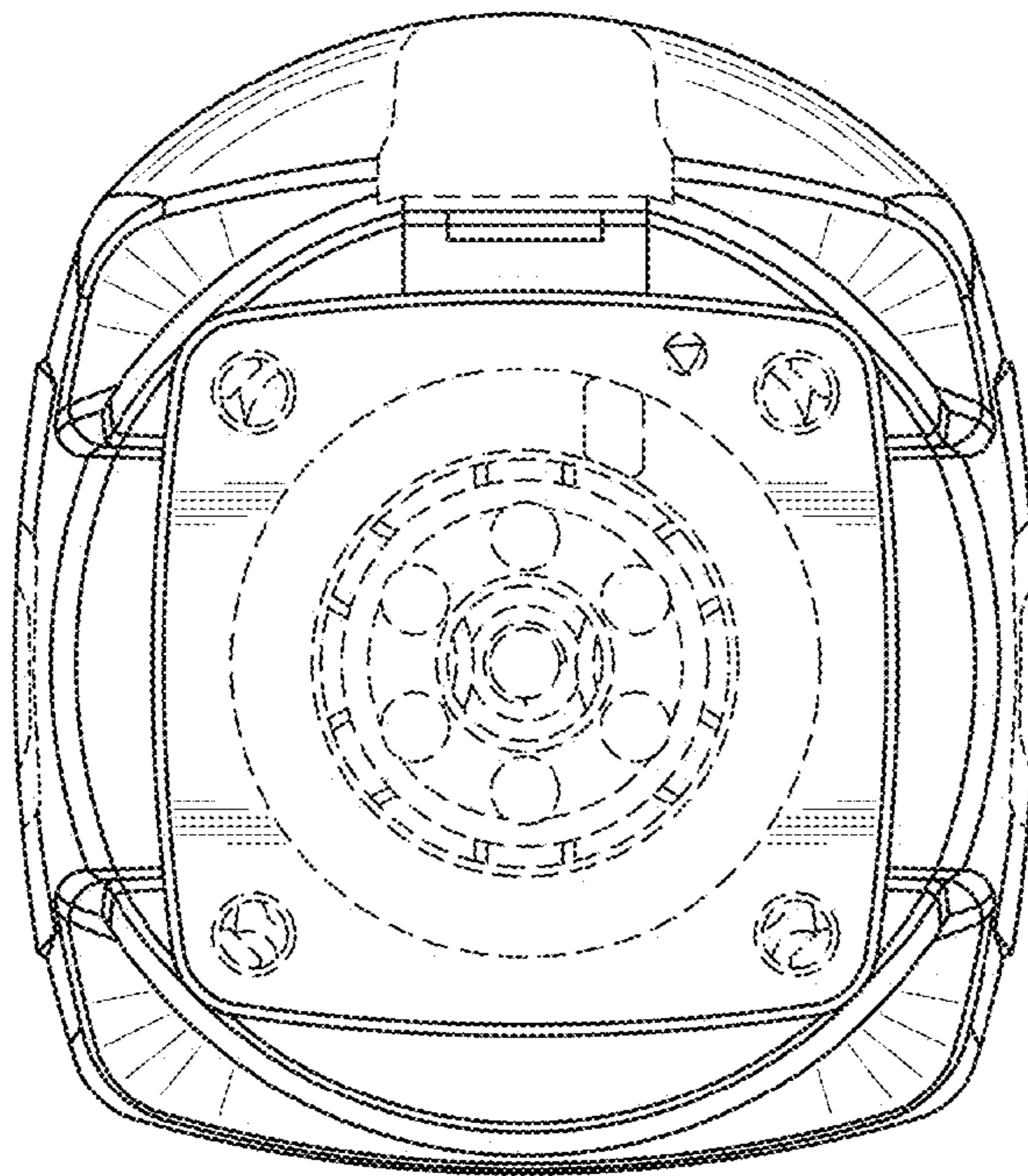


FIG. 7

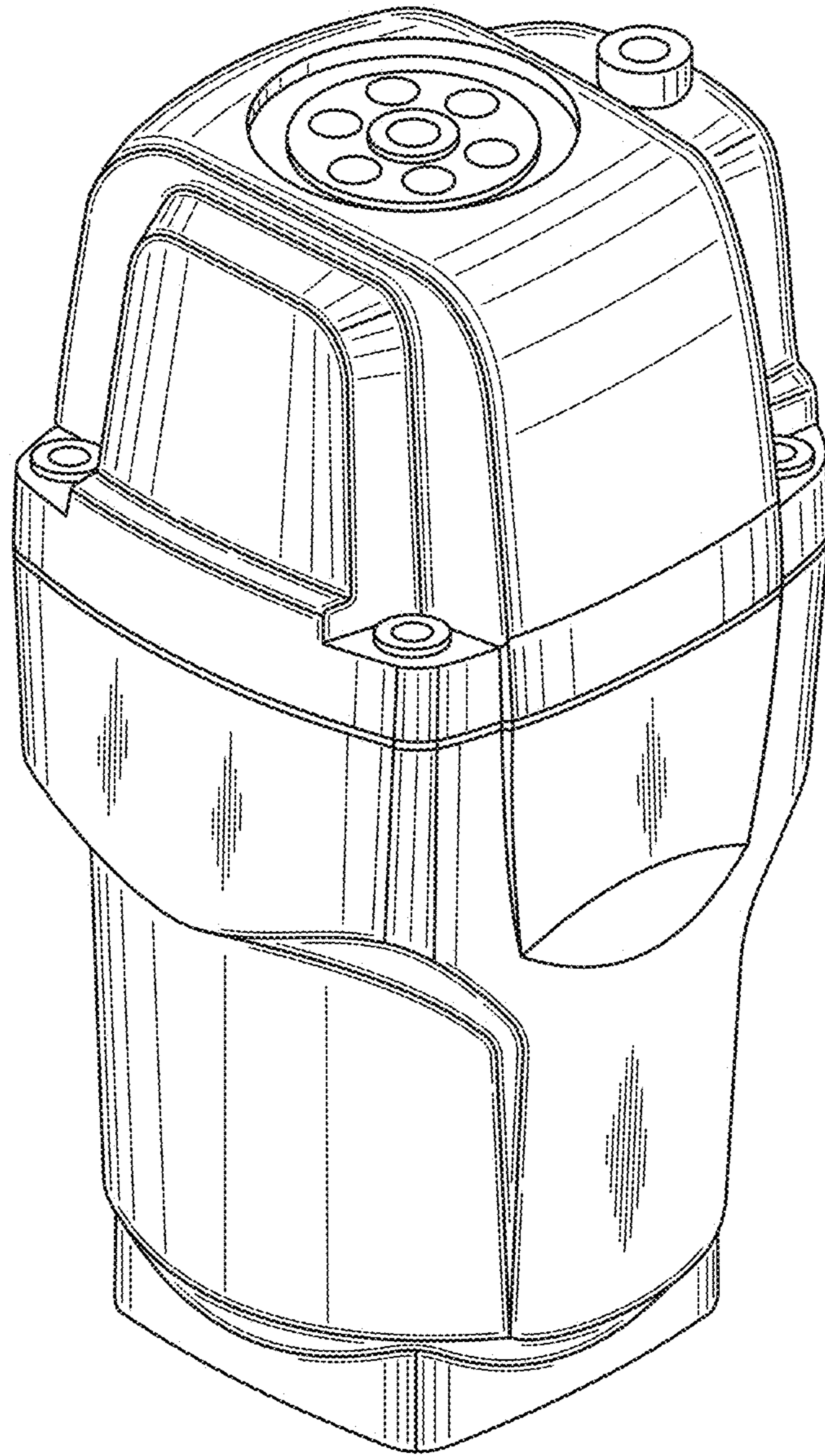


Figure 8

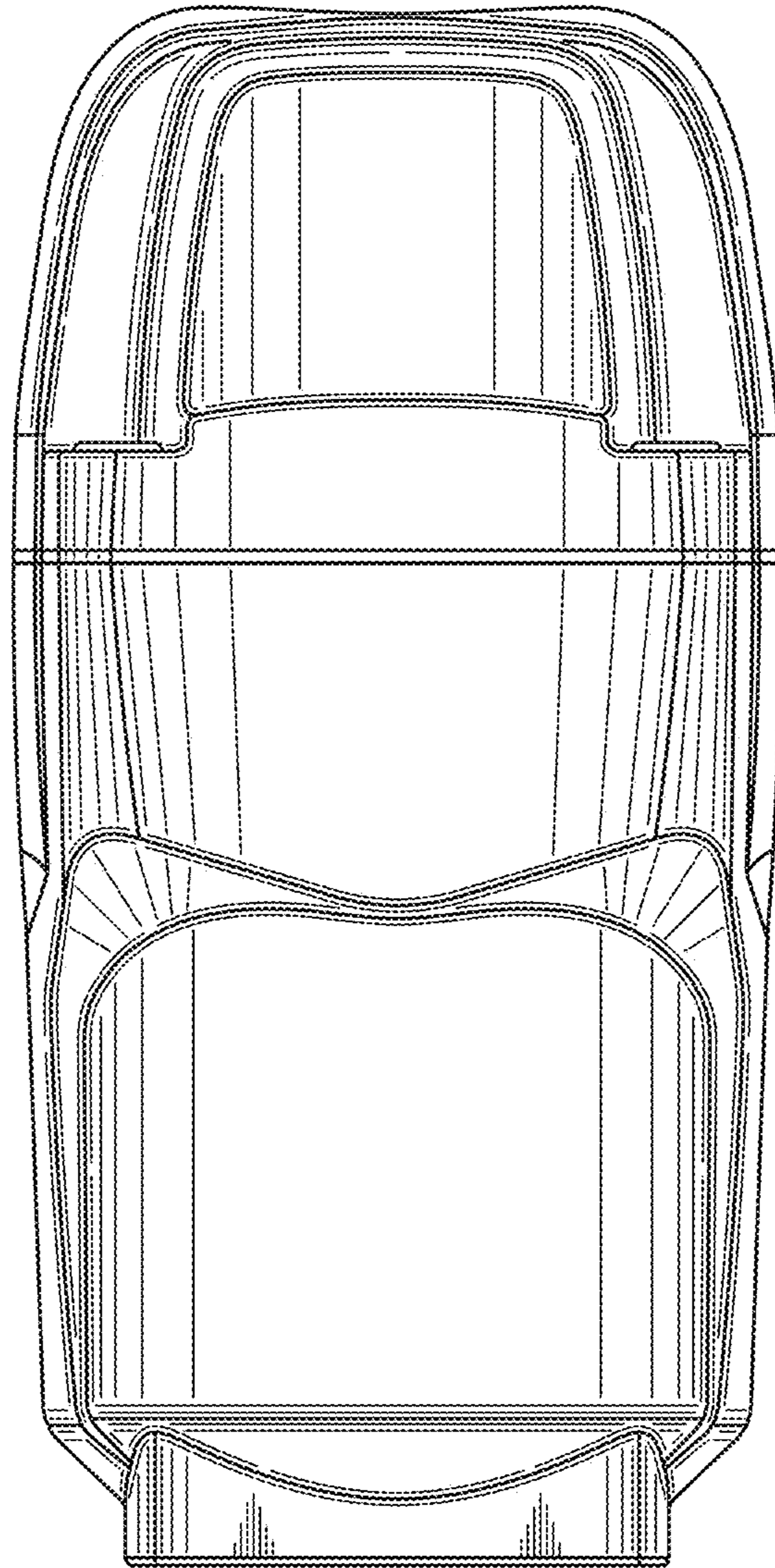


Figure 9

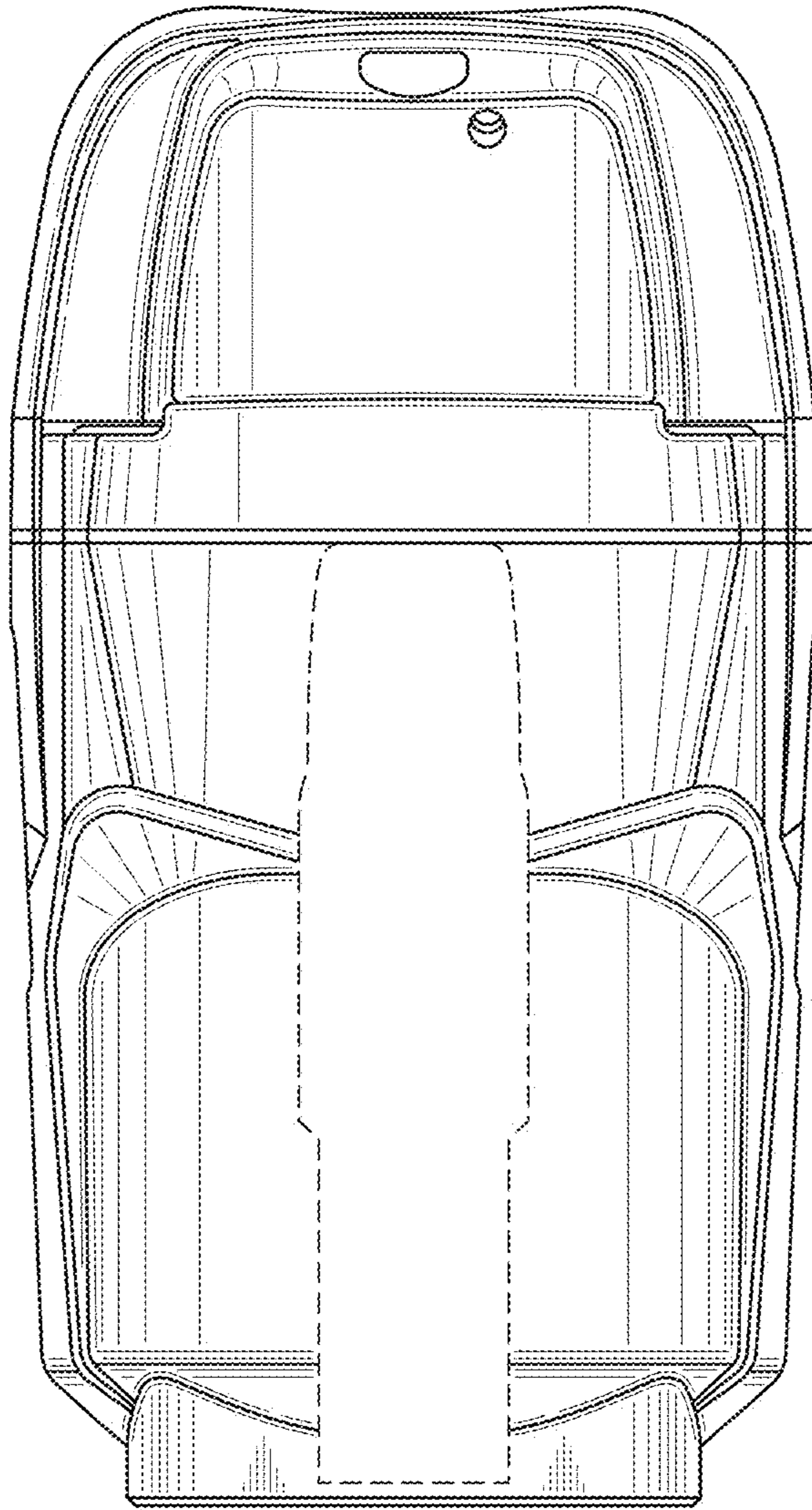


FIG. 10

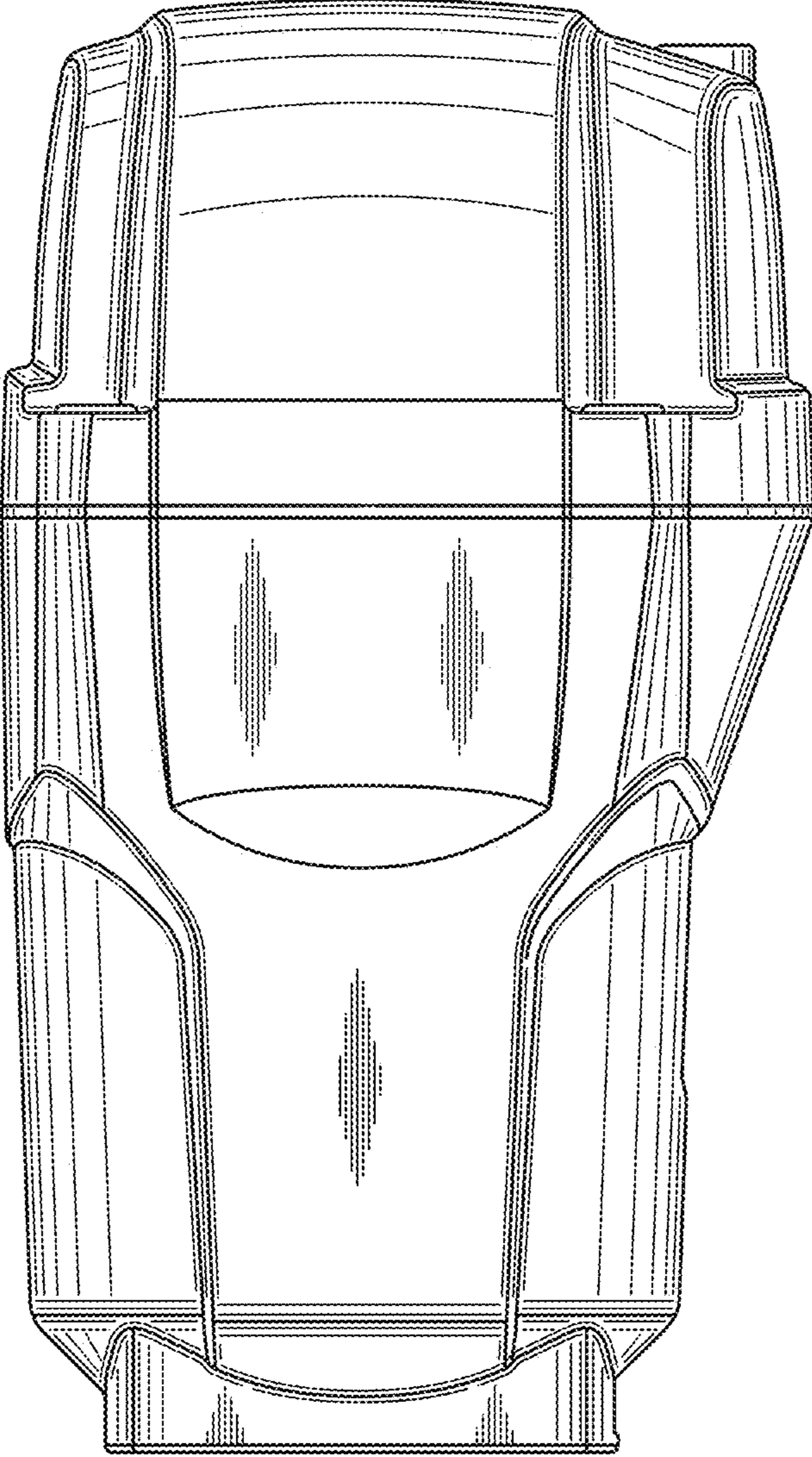


Figure 11

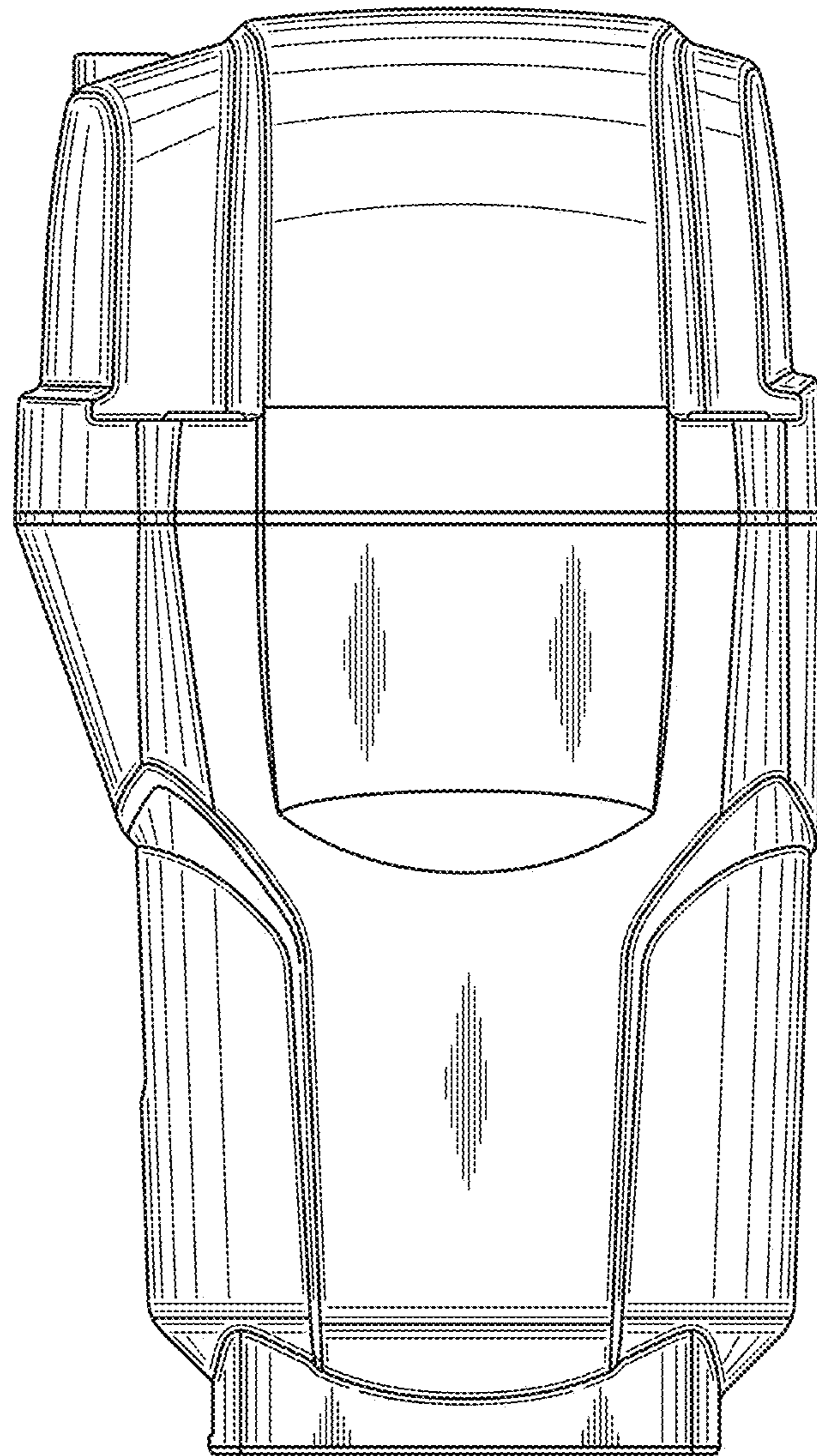


Figure 12

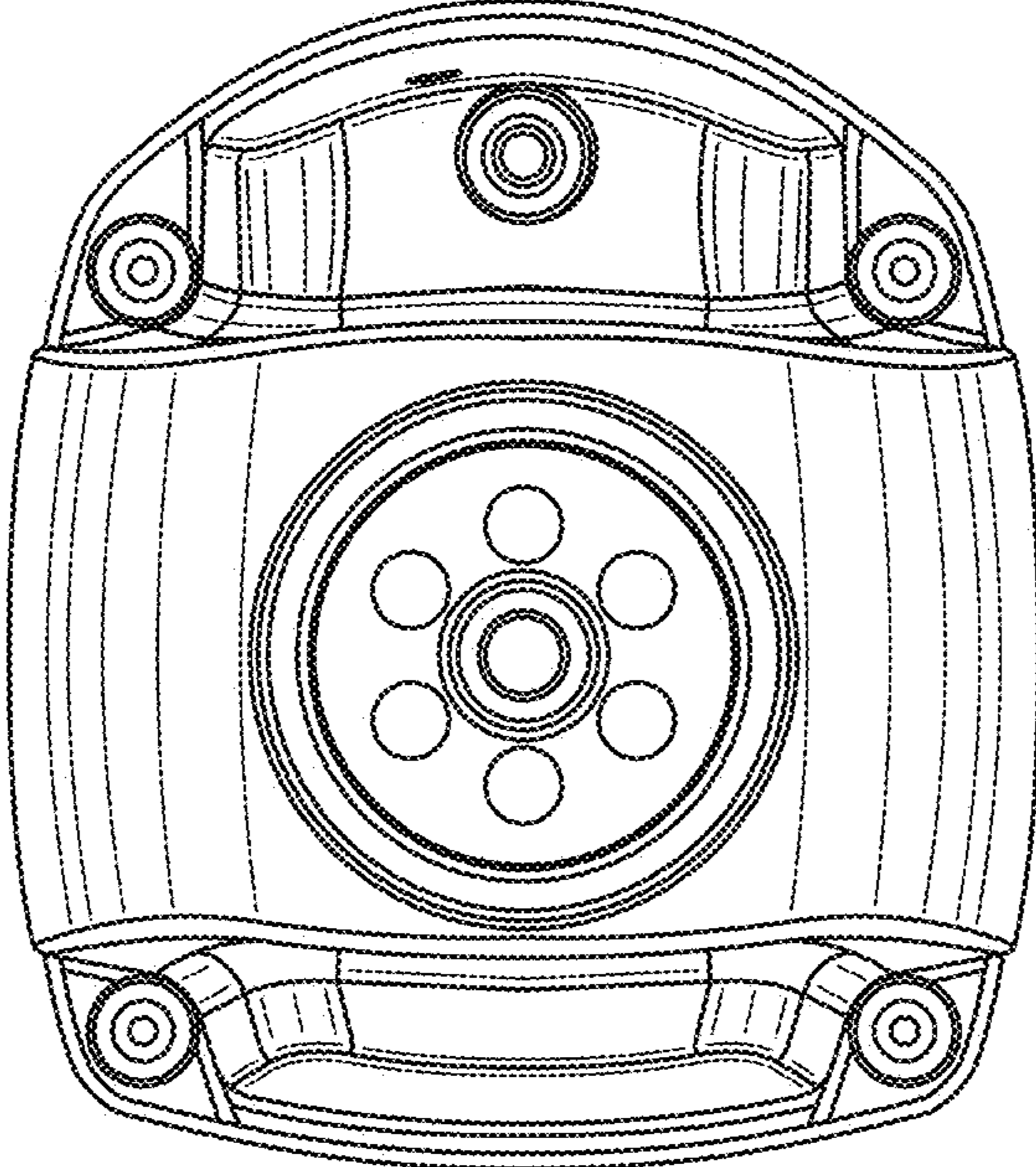


Figure 13

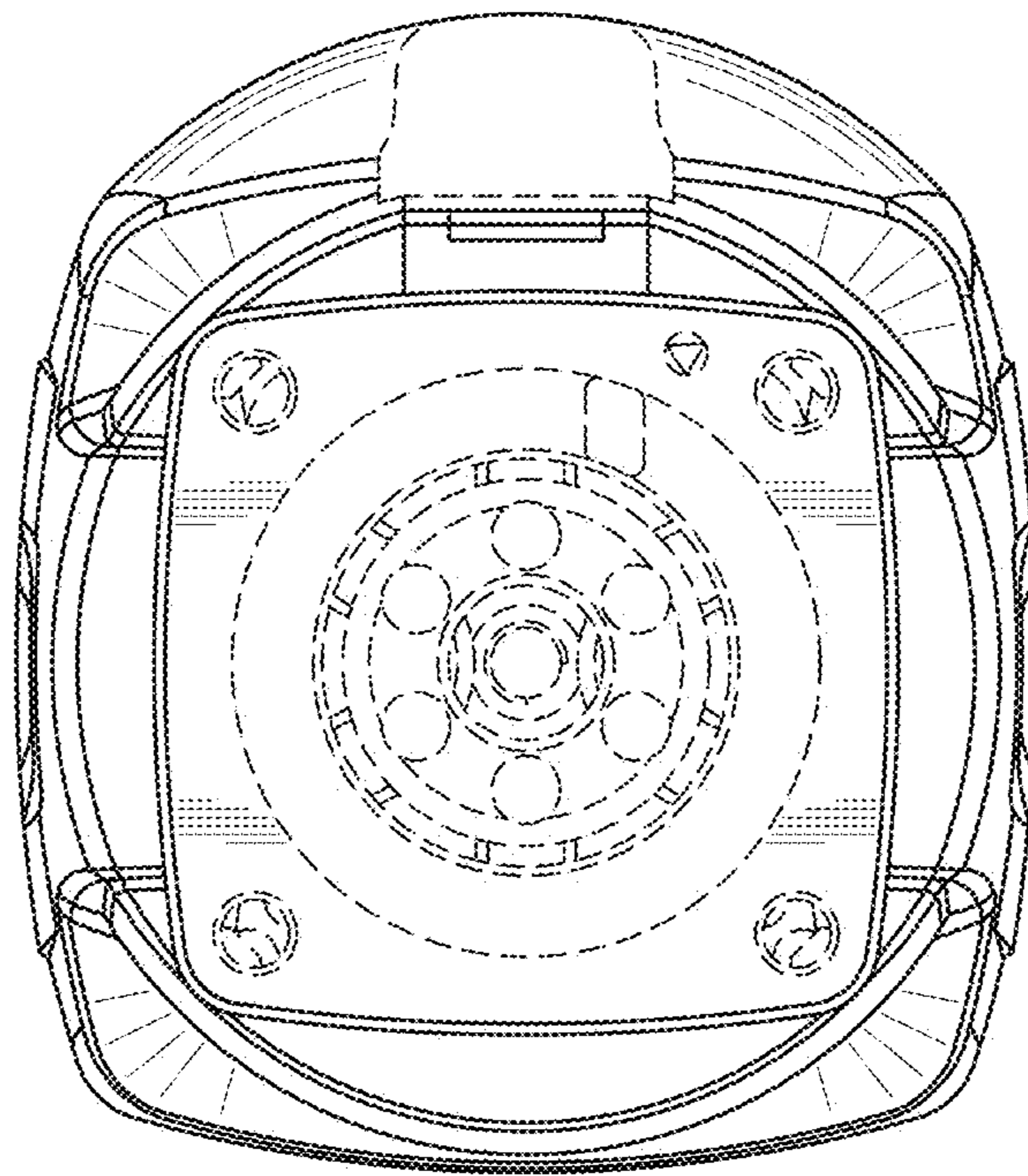


FIG. 14