



US00D724403S

(12) **United States Design Patent**  
**Spirer**

(10) **Patent No.:** **US D724,403 S**  
(45) **Date of Patent:** **\*\* Mar. 17, 2015**

(54) **HYDRAULIC WRENCH**

(71) Applicant: **Norwolf Tool Works, Inc.**, Westwood,  
NJ (US)

(72) Inventor: **Steve Spirer**, Westwood, NJ (US)

(\*\*) Term: **14 Years**

(21) Appl. No.: **29/439,198**

(22) Filed: **Dec. 7, 2012**

(51) **LOC (10) Cl.** ..... **08-03**

(52) **U.S. Cl.**  
USPC ..... **D8/61**

(58) **Field of Classification Search**  
USPC ..... D8/61, 62, 67, 69; 81/57, 57.11, 57.14,  
81/57.26, 429, 464, 469; 173/2, 170, 176,  
173/181

See application file for complete search history.

(56) **References Cited**

**U.S. PATENT DOCUMENTS**

D226,471	S	*	3/1973	Conn	.....	D8/68
5,103,696	A	*	4/1992	Beuke	.....	81/57.39
D465,394	S	*	11/2002	Junkers	.....	D8/61
D491,436	S	*	6/2004	Junkers	.....	D8/61
6,912,933	B2	*	7/2005	Knopp et al.	.....	81/57.39
6,935,209	B2	*	8/2005	Lantow et al.	.....	81/55
7,062,993	B2	*	6/2006	Shaw et al.	.....	81/57.39
D525,499	S	*	7/2006	Chen	.....	D8/61

D525,500	S	*	7/2006	Chen	.....	D8/61
D602,755	S	*	10/2009	Junkers	.....	D8/61
D606,831	S	*	12/2009	Shiota et al.	.....	D8/69
7,874,232	B2	*	1/2011	Gauthreaux et al.	.....	81/58
8,141,654	B2	*	3/2012	Lin	.....	173/93.5

\* cited by examiner

*Primary Examiner* — Randall Gholson

(74) *Attorney, Agent, or Firm* — Jura C. Zibas; Gregory N. Brescia; Wilson, Elser, Moskowitz, Edelman & Dicker, LLP.

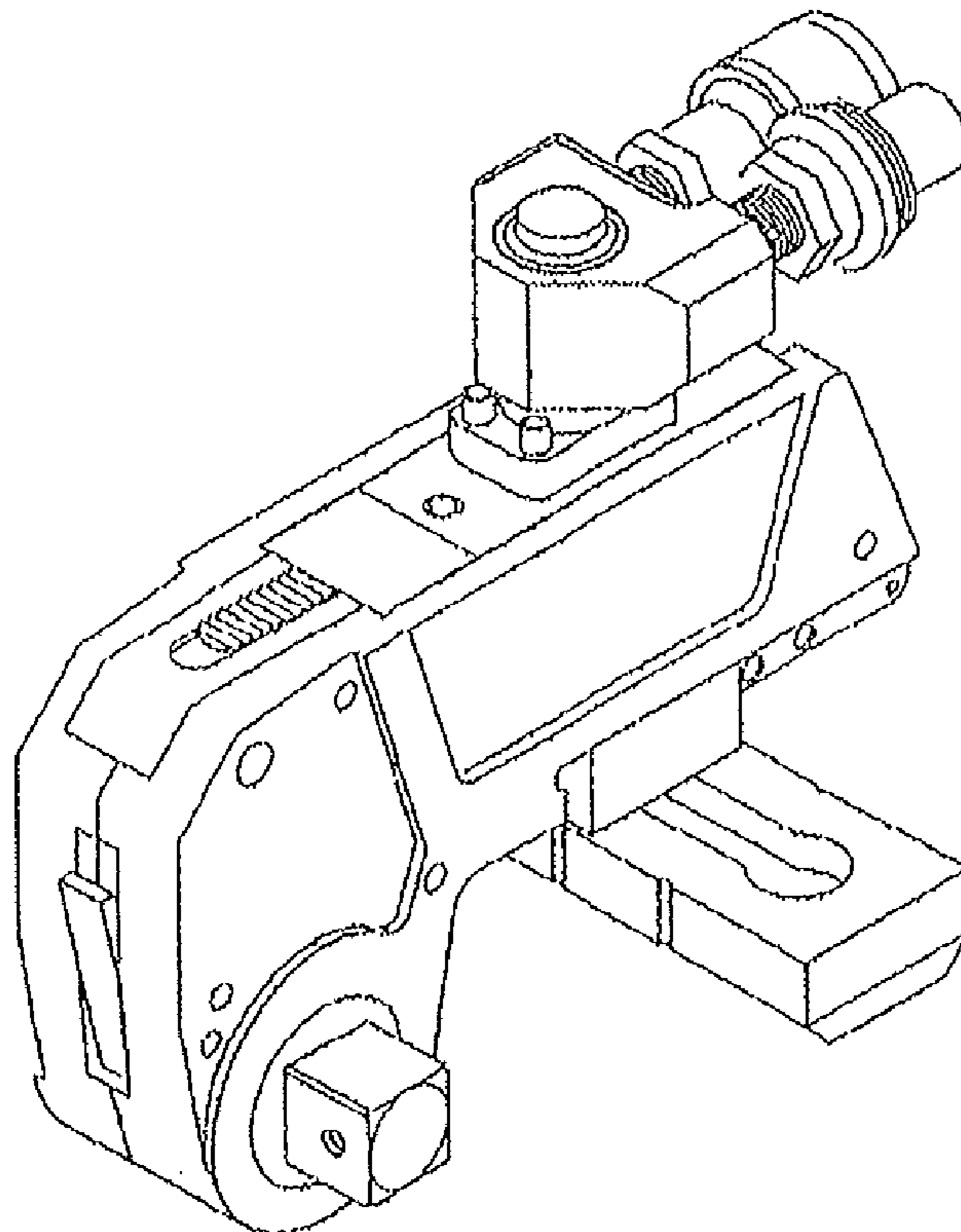
(57) **CLAIM**

The ornamental design for a hydraulic wrench, as shown and described.

**DESCRIPTION**

FIG. 1 is a isometric front, left side perspective view of a hydraulic wrench showing my new design;  
 FIG. 2 is a front left side perspective view of the V drive thereof; shown separately for ease of illustration;  
 FIG. 3 is a front left side perspective view of the X driver thereof; shown separately for ease of illustration;  
 FIG. 4 is a left side view of the hydraulic wrench shown in FIG. 1;  
 FIG. 5 is a right side view thereof;  
 FIG. 6 is a front side view thereof;  
 FIG. 7 is a rear side view thereof;  
 FIG. 8 is a top side view thereof; and,  
 FIG. 9 is a bottom side view thereof.

**1 Claim, 3 Drawing Sheets**



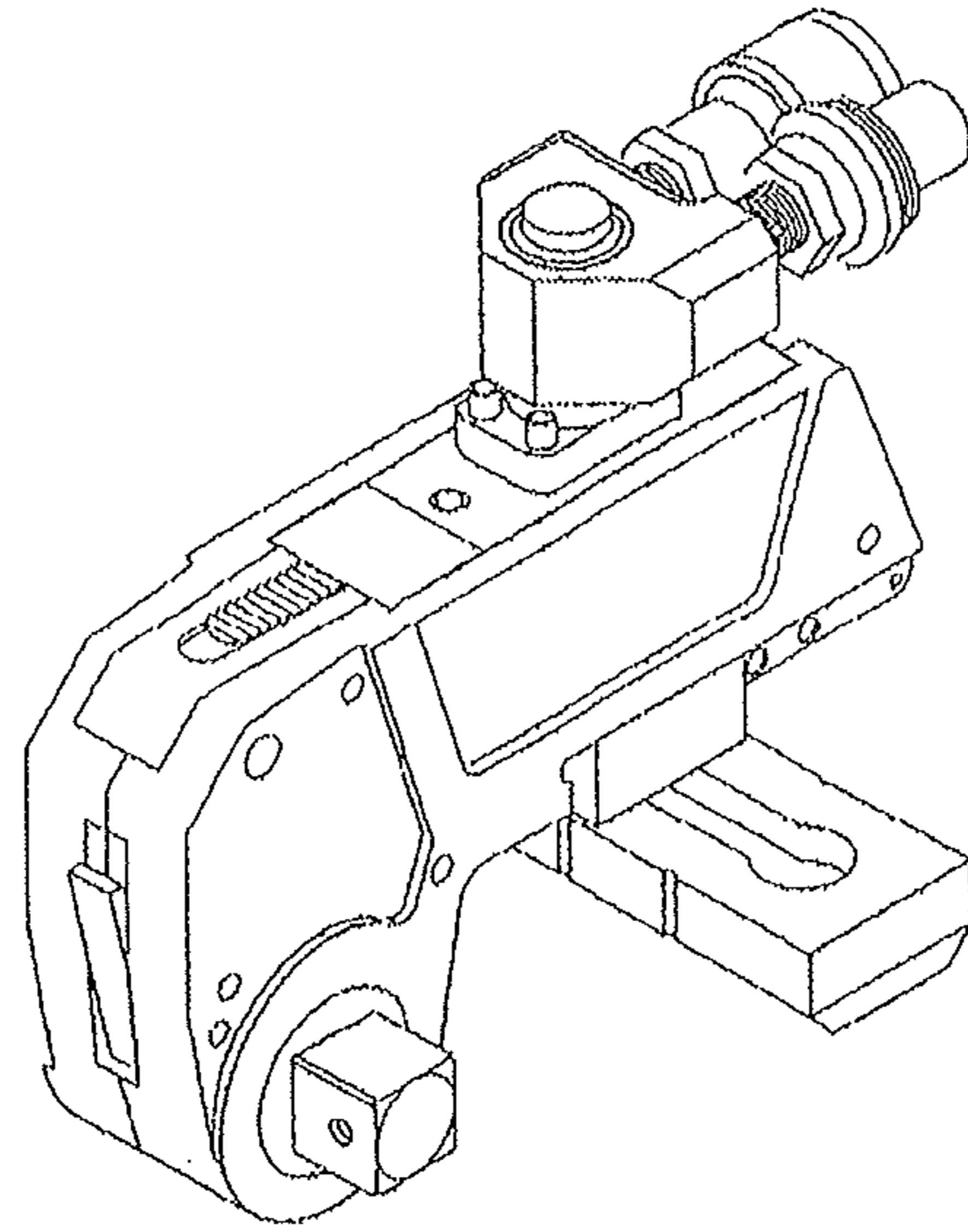


FIG. 1

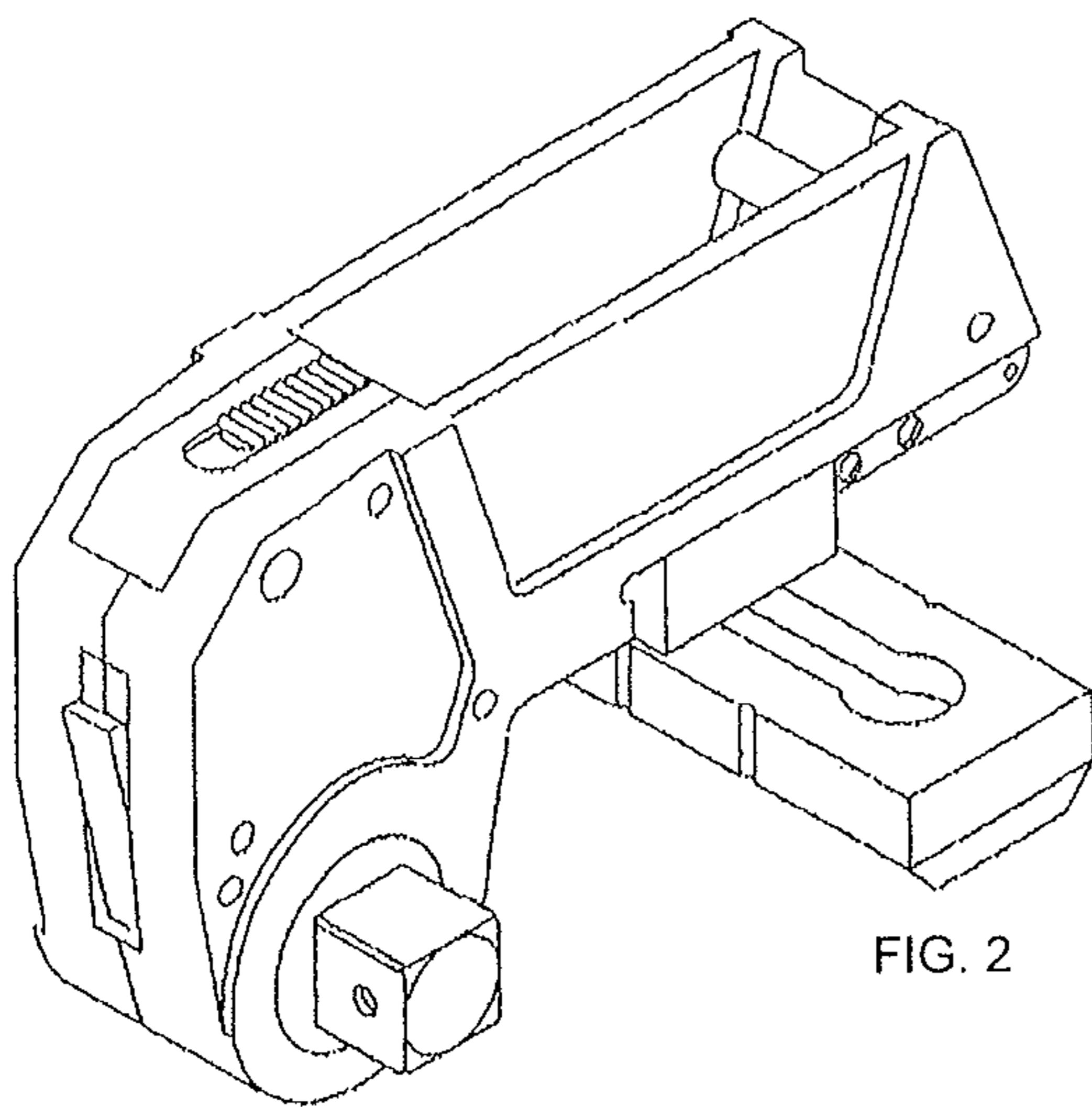


FIG. 2

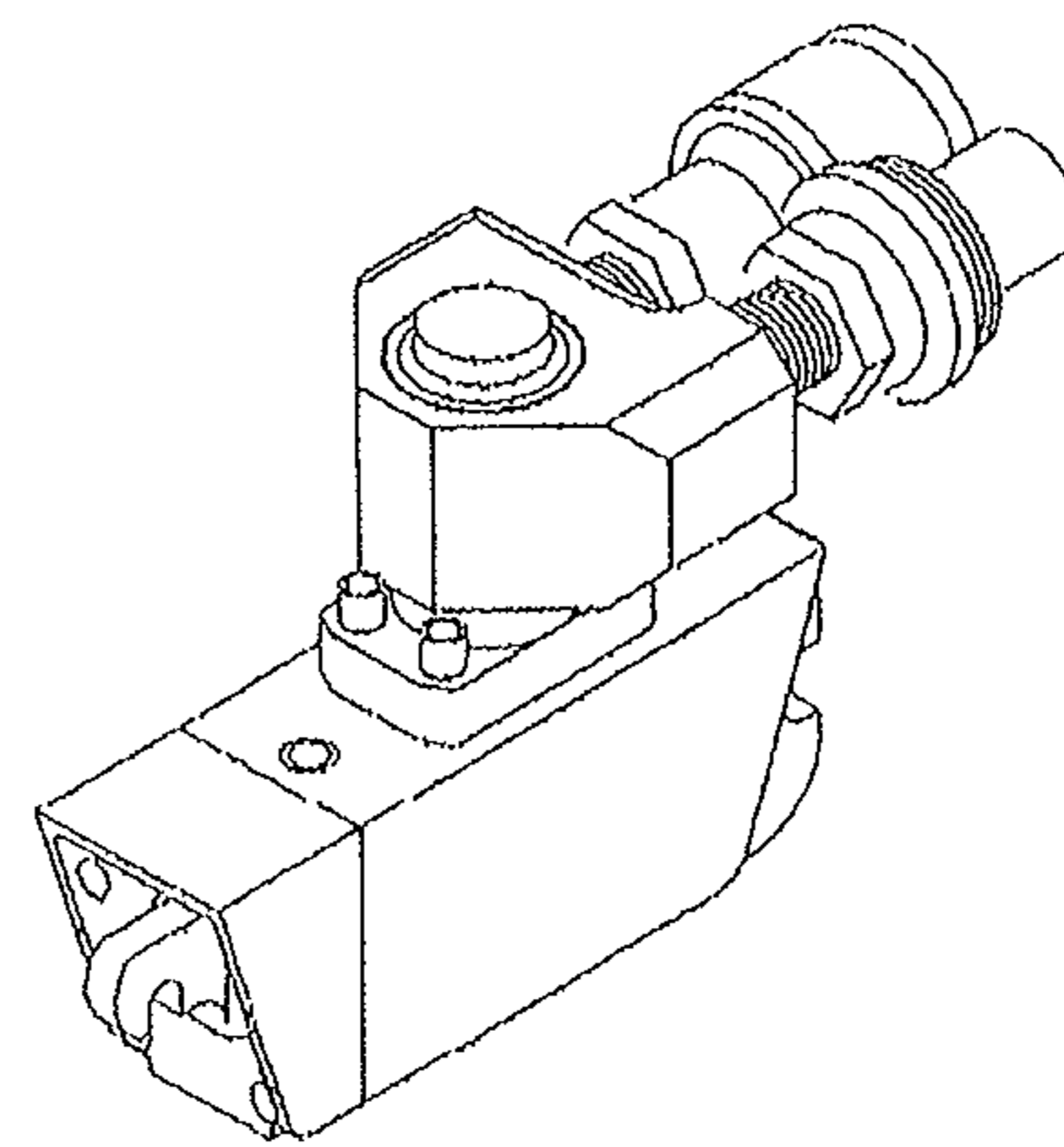
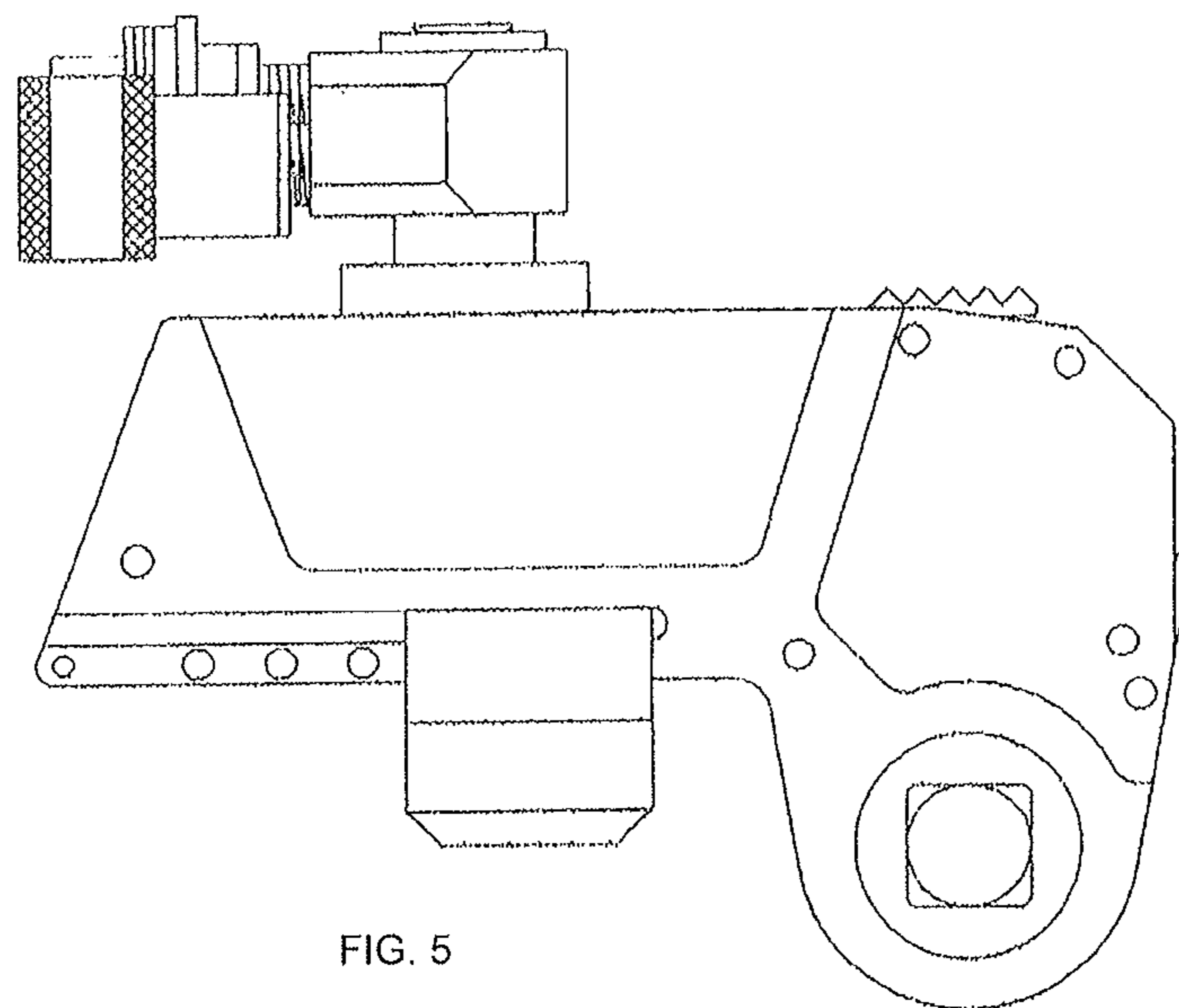
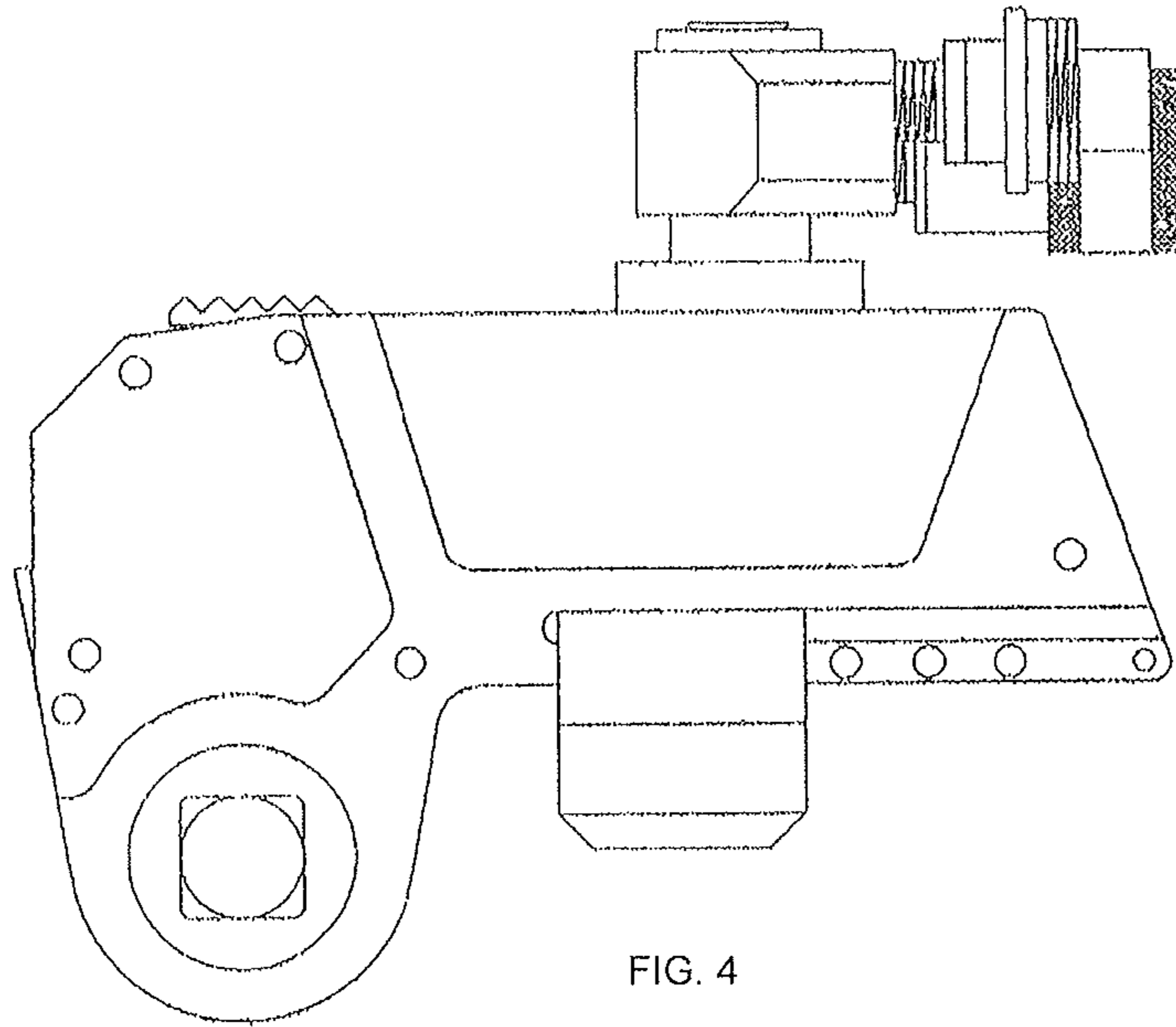
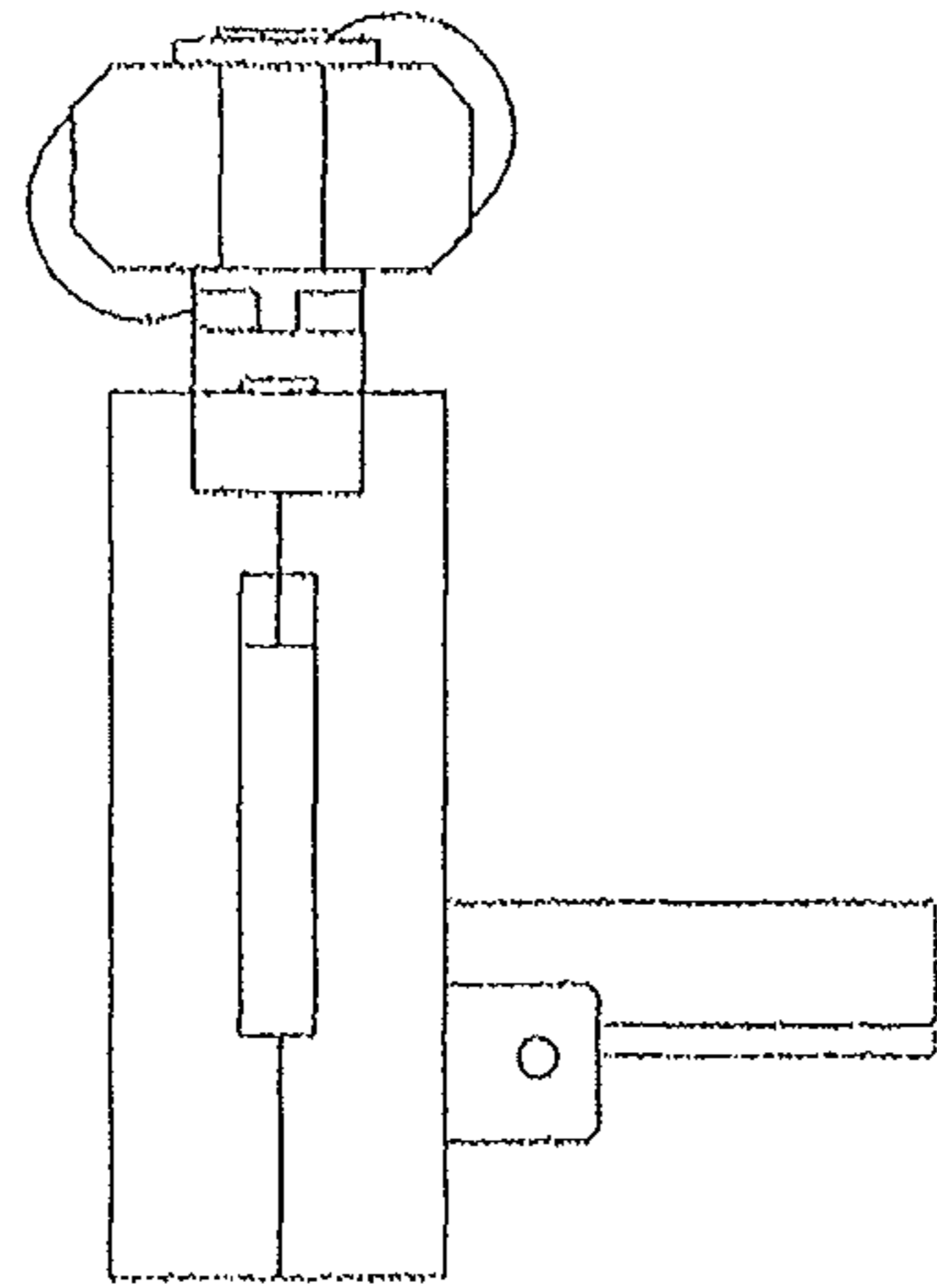
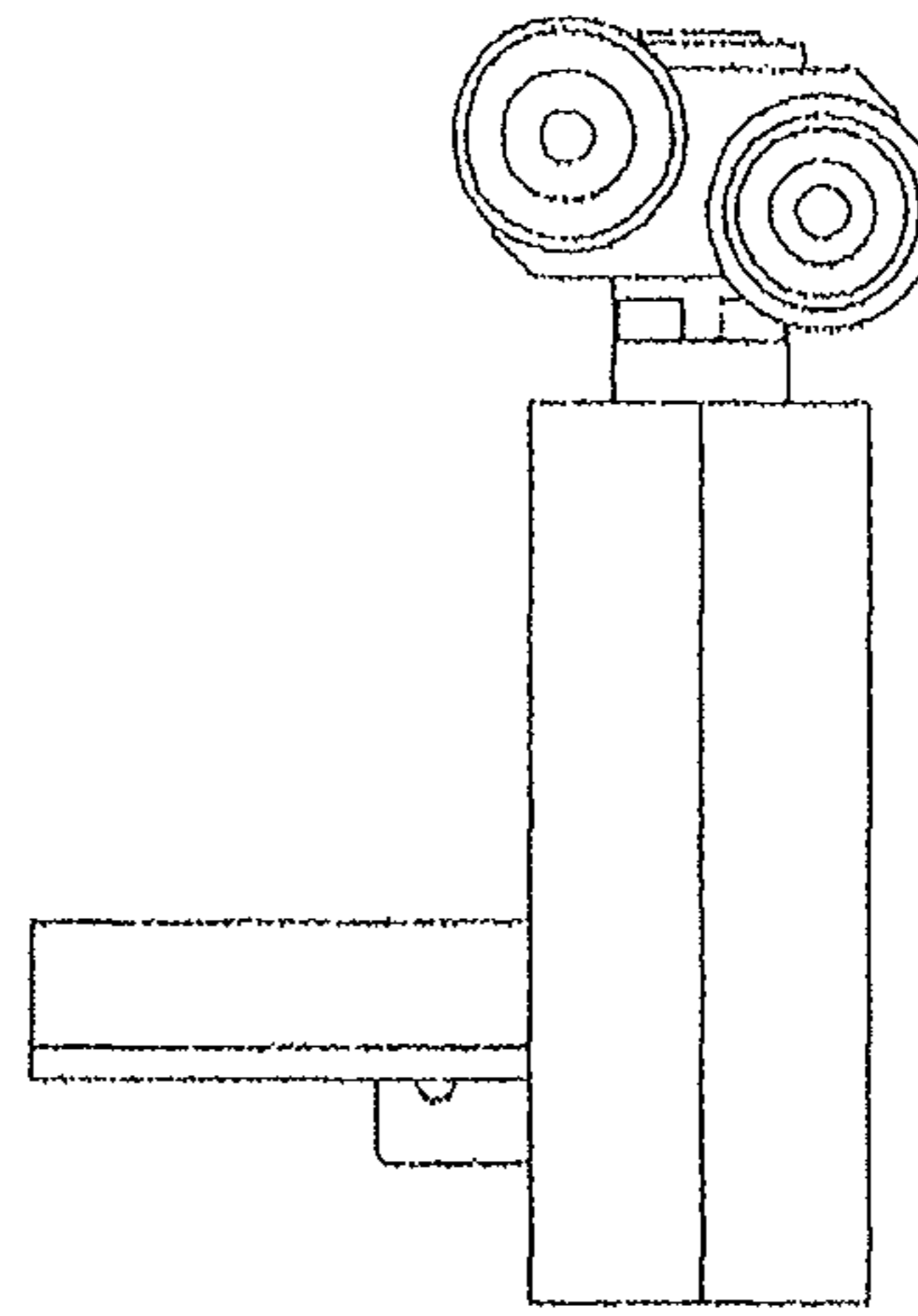


FIG. 3

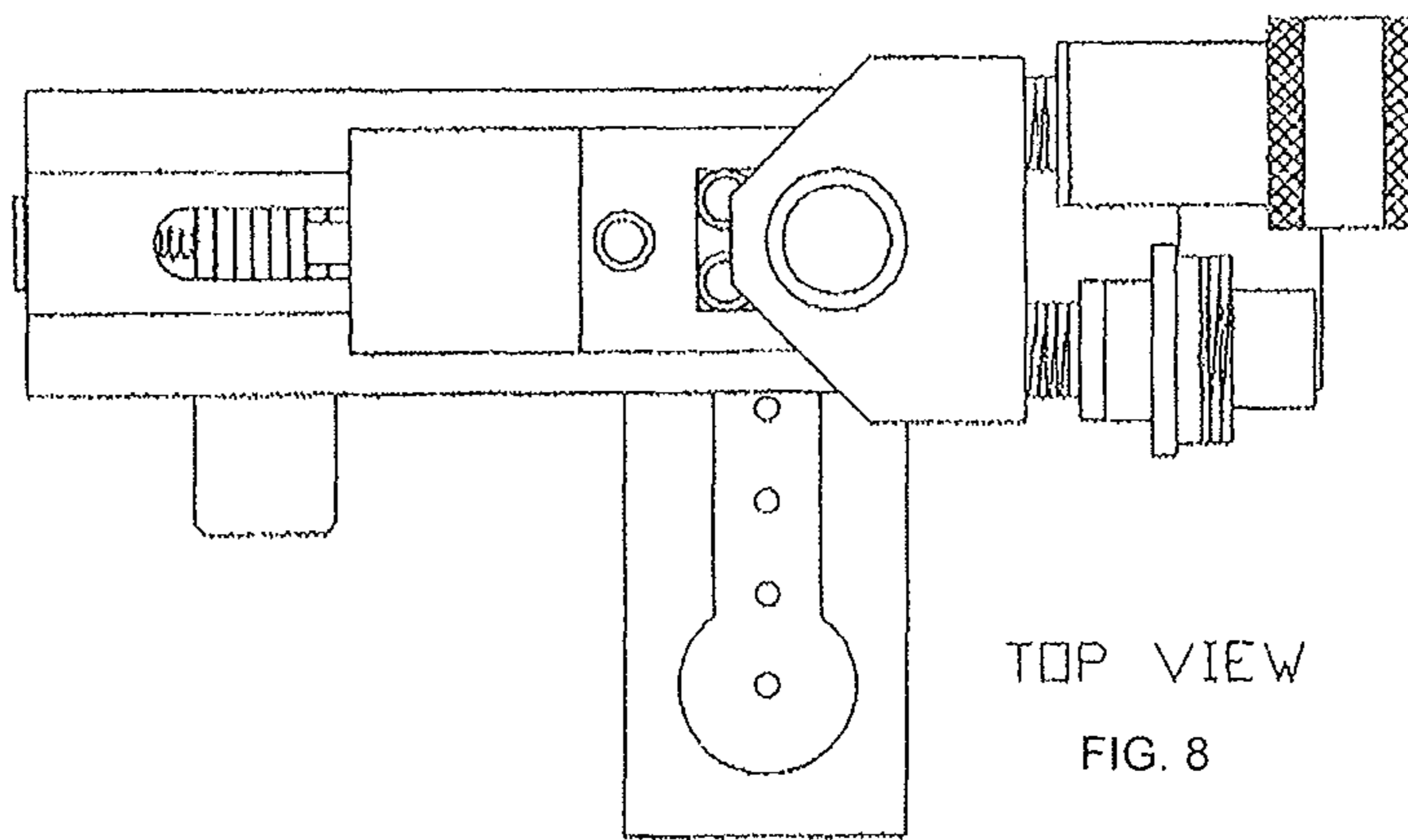




FRONT VIEW  
FIG. 6



REAR VIEW  
FIG. 7



TOP VIEW  
FIG. 8

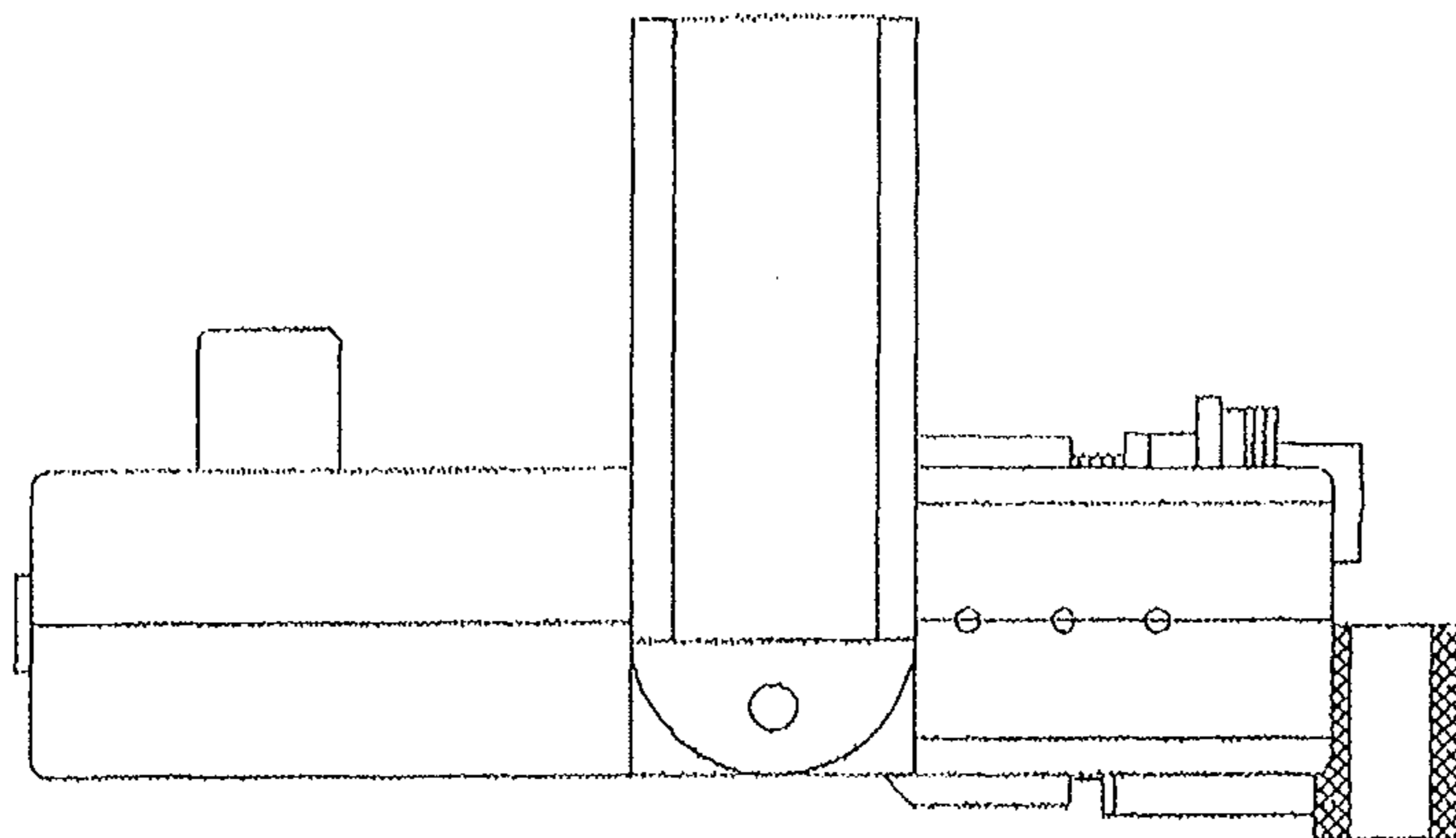


FIG. 9 BOTTOM VIEW